



US00D736339S

(12) **United States Design Patent**  
**Fitzpatrick et al.**

(10) **Patent No.:** **US D736,339 S**  
(45) **Date of Patent:** **\*\* Aug. 11, 2015**

(54) **FOLDING FRONT SIGHT FOR A FIREARM**

(71) Applicant: **Magpul Industries Corporation**, Erie, CO (US)

(72) Inventors: **Richard Fitzpatrick**, Longmont, CO (US); **Michael T. Mayberry**, Denver, CO (US); **Grady Barfoot**, Denver, CO (US); **Brad Bennett**, Lafayette, CO (US)

(73) Assignee: **Magpul Industries Corporation**, Louisville, CO (US)

(\*\*) Term: **14 Years**

(21) Appl. No.: **29/487,741**

(22) Filed: **Apr. 11, 2014**

**Related U.S. Application Data**

(63) Continuation of application No. 29/443,370, filed on Jan. 16, 2013, now Pat. No. Des. 705,890.

(51) **LOC (10) Cl.** ..... **22-01**

(52) **U.S. Cl.**  
USPC ..... **D22/109**

(58) **Field of Classification Search**

USPC ..... D22/108–109; 89/111–113; 359/399, 359/823, 744; 42/104, 105, 111–113, 116, 42/120, 124–129, 141–148, 133–140; 33/227, 229

CPC ..... F41G 1/00; F41G 1/01; F41G 1/02; F41G 1/06; F41G 1/065; F41G 1/08; F41G 1/10; F41G 1/12; F41G 1/14; F41G 1/30; F41G 1/32; F41G 1/38; F41G 1/40; F41G 1/42; F41G 1/44; F41G 1/46; F41G 1/383; F41G 1/387; F41G 1/393; F41G 3/00; F41G 3/005; F41G 3/02; F41G 3/04; F41G 3/06; F41G 3/14; F41G 11/002; F41G 11/003; F41G 11/004; F41G 11/005

See application file for complete search history.

(56) **References Cited**

**U.S. PATENT DOCUMENTS**

1,257,713 A 2/1918 Johnson  
D235,339 S 6/1975 Edstrom

(Continued)

**OTHER PUBLICATIONS**

Design U.S. Appl. No. 29/443,370, “Folding Front Sight for a Firearm” filed Jan. 16, 2013.

(Continued)

*Primary Examiner* — Michael A Pratt

(74) *Attorney, Agent, or Firm* — Swanson & Bratschun, L.L.C.

(57) **CLAIM**

The ornamental design for a folding front sight for a firearm, as shown and described.

**DESCRIPTION**

FIG. 1 is a front, left, top perspective view of a folding front sight for a firearm showing our new design;

FIG. 2 is a front, left, bottom view of the folding front sight for a firearm of FIG. 1;

FIG. 3 is a front elevation view of the folding front sight for a firearm of FIG. 1;

FIG. 4 is a rear elevation view of the folding front sight for a firearm of FIG. 1;

FIG. 5 is a left side elevation view of the folding front sight for a firearm of FIG. 1;

FIG. 6 is a right side elevation view of the folding front sight for a firearm of FIG. 1;

FIG. 7 is a top plan view of the folding front sight for a firearm of FIG. 1;

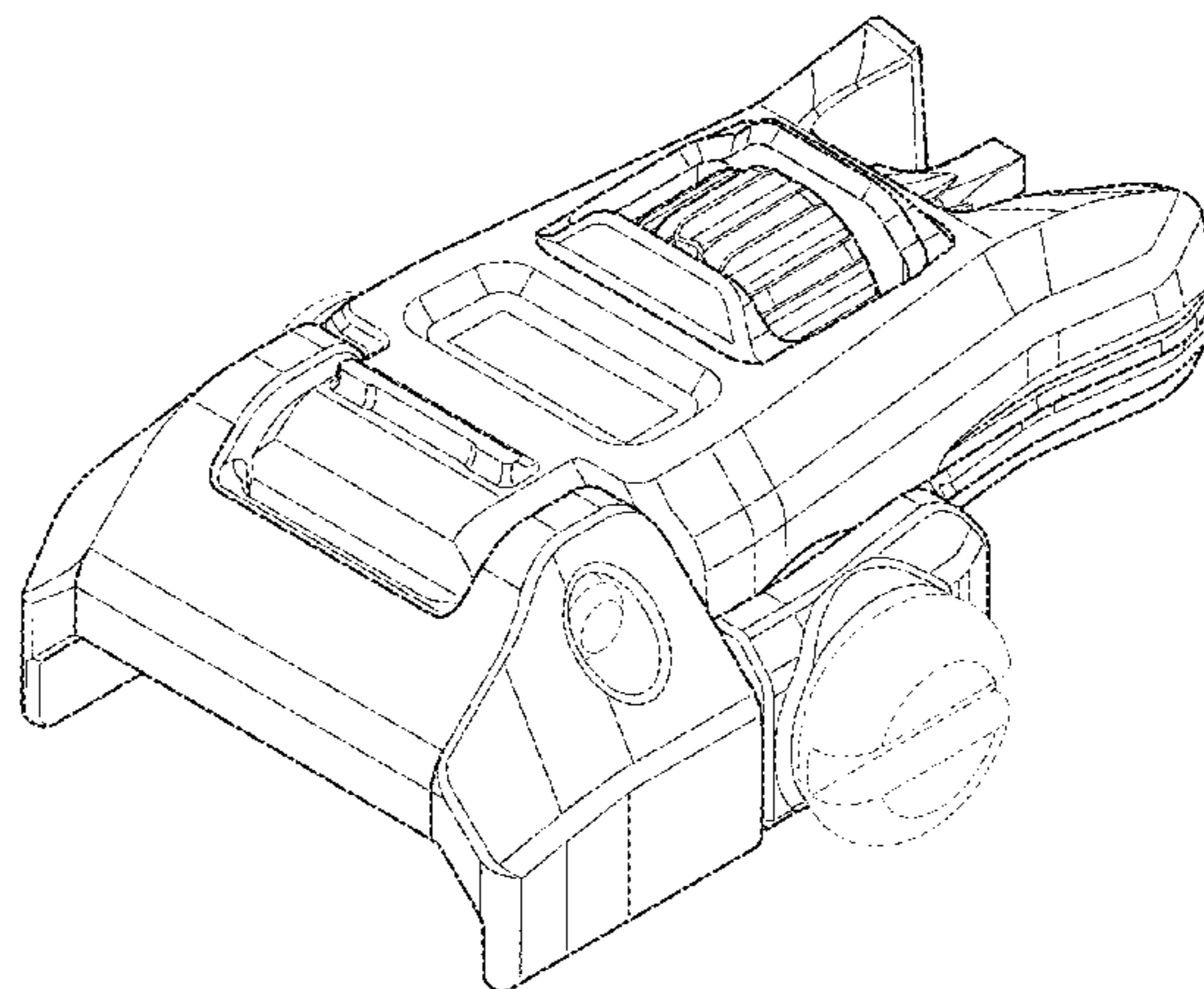
FIG. 8 is a bottom plan view of the folding front sight for a firearm of FIG. 1;

FIG. 9 is a front, left, top perspective view of the folding front sight for a firearm of FIG. 1 showing the front sight pivoted to an upright operative position; and,

FIG. 10 is a rear, right, top perspective view of the folding front sight for a firearm of FIG. 1 showing the front sight pivoted to an upright operative position.

The broken lines showing portions of the design in all figures is included for the purpose of illustrating environment and unclaimed features and forms not part of the claimed design.

**1 Claim, 6 Drawing Sheets**



(56)

**References Cited**

U.S. PATENT DOCUMENTS

D354,111	S	1/1995	Karppinen	
6,779,290	B1	8/2004	Houtsma	
D526,380	S	8/2006	Swan	
7,356,962	B2 *	4/2008	Swan	42/147
D594,083	S	6/2009	Mayberry et al.	
D594,084	S	6/2009	Mayberry et al.	
D615,144	S	5/2010	Mayberry et al.	
D635,634	S *	4/2011	Swan	D22/109
D637,259	S *	5/2011	Swan	D22/109
D637,261	S *	5/2011	Swan	D22/109
8,015,744	B1 *	9/2011	Swan	42/147
D647,158	S *	10/2011	Dueck	D22/109
D648,413	S	11/2011	Mayberry et al.	
D657,013	S *	4/2012	Swan	D22/109
D675,281	S	1/2013	Speroni	
8,484,882	B2	7/2013	Haley	
D687,915	S	8/2013	Adcock, Jr.	
D705,890	S *	5/2014	Fitzpatrick et al.	D22/109
2003/0140546	A1	7/2003	Kay	

2006/0156559	A1	7/2006	Forrest
2007/0130817	A1	6/2007	Ballard
2007/0234625	A1	10/2007	Kidd
2007/0271834	A1	11/2007	Keng
2008/0034638	A1	2/2008	Spuhr
2008/0253110	A1	10/2008	Wu
2012/0180370	A1	7/2012	McKinley

OTHER PUBLICATIONS

Design U.S. Appl. No. 29/441,128, "Folding Rear Sight for a Fire-arm" filed Dec. 31, 2012.

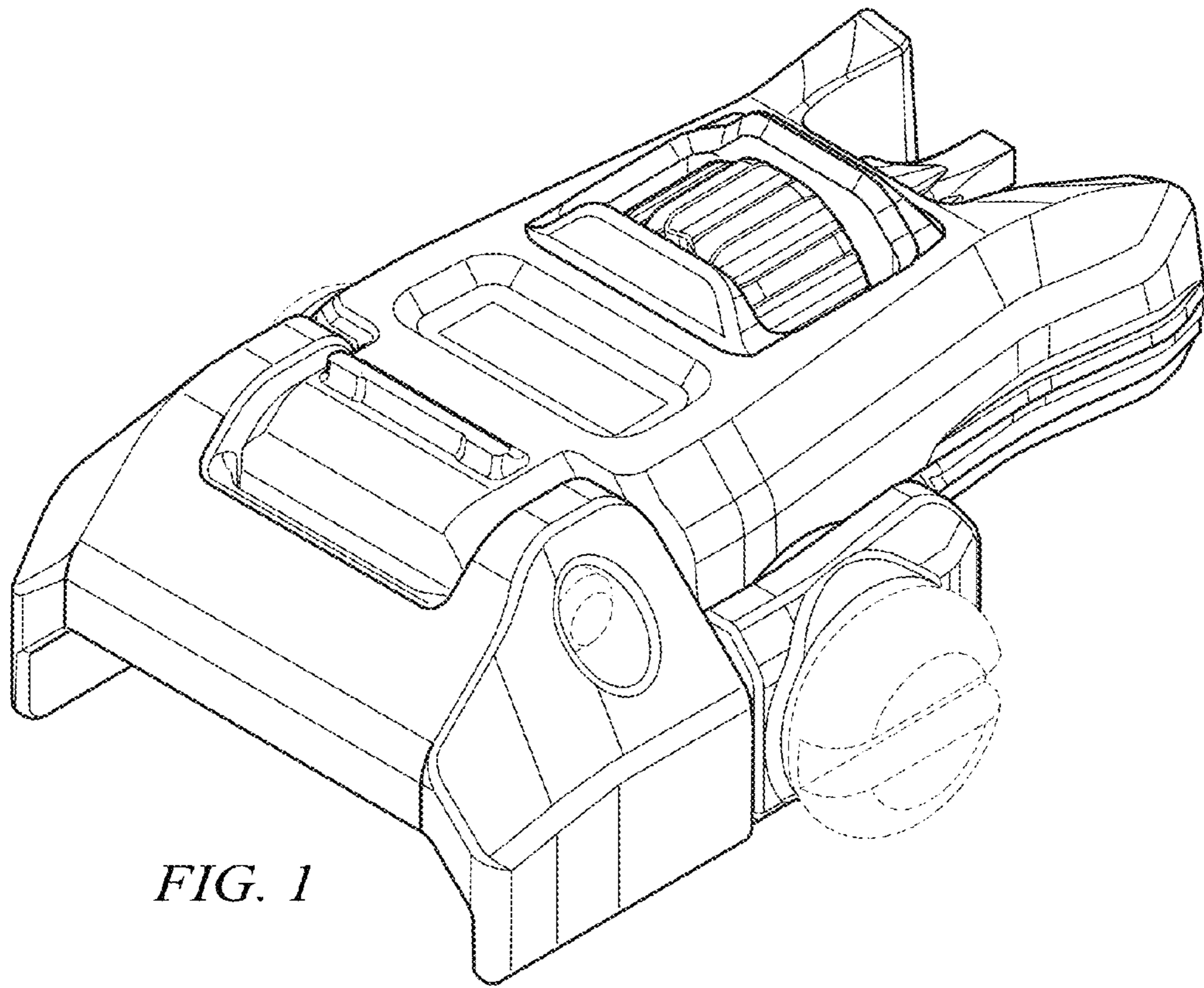
Design U.S. Appl. No. 29/487,535, "Folding Rear Sight for a Fire-arm" filed Apr. 9, 2014.

Design U.S. Appl. No. 29/475,735, "Rear Folding Sight for a Fire-arm" filed Dec. 5, 2013.

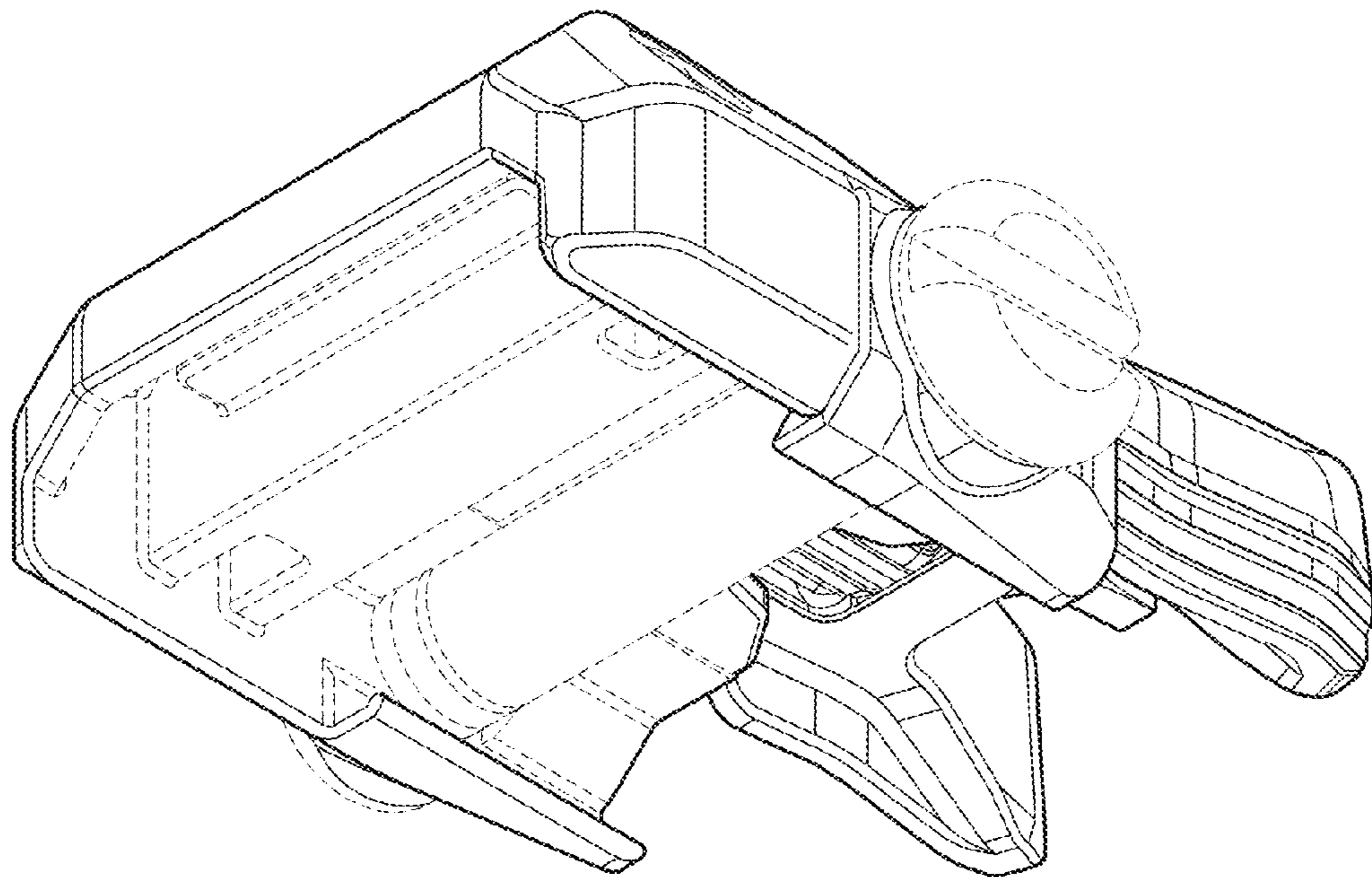
Design U.S. Appl. No. 29/473,761, "Rear Folding Sight for a Fire-arm" filed Nov. 26, 2013.

Design U.S. Appl. No. 29/475,733, "Front Folding Sight for a Fire-arm" filed Dec. 5, 2013.

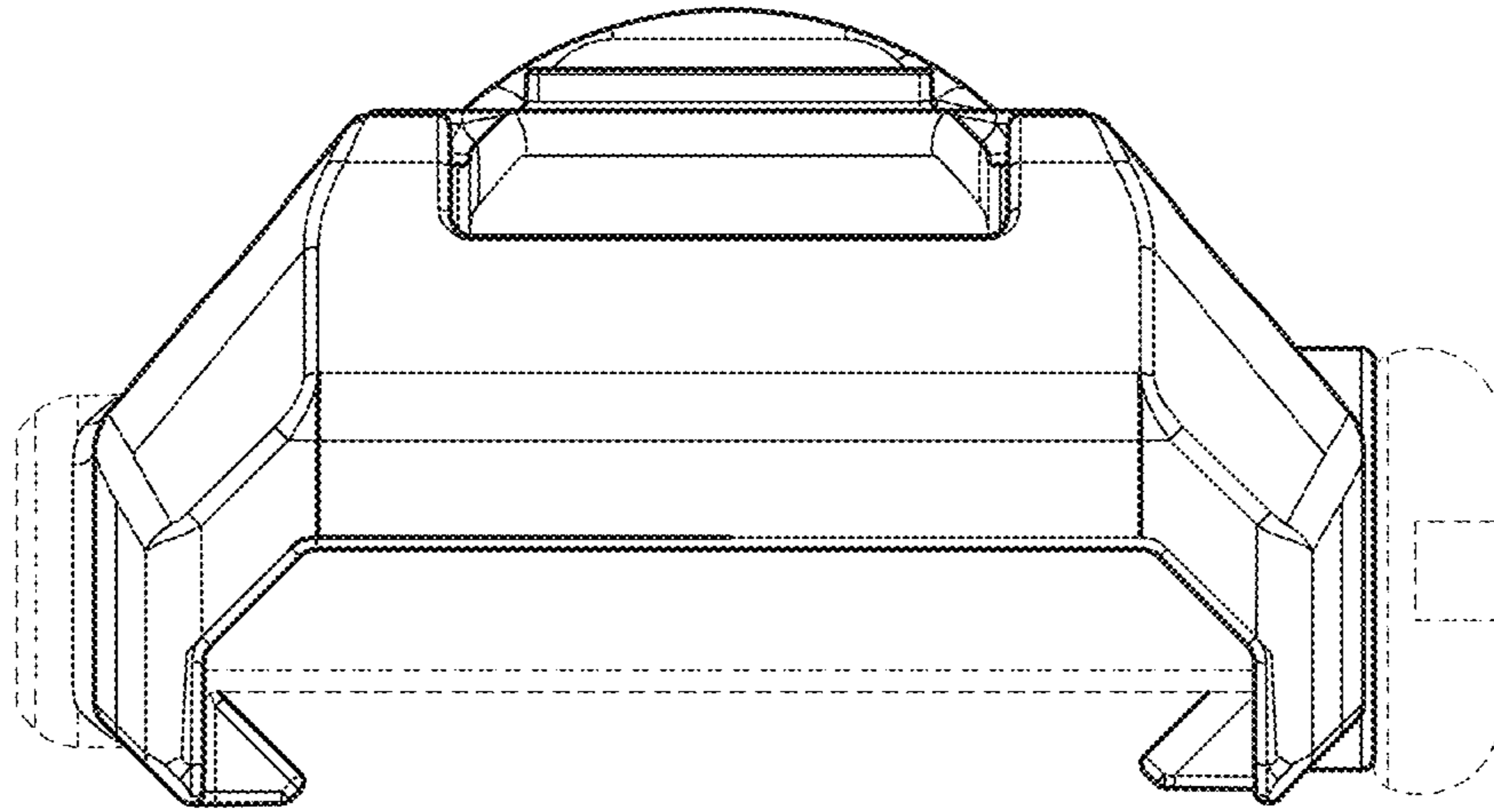
\* cited by examiner



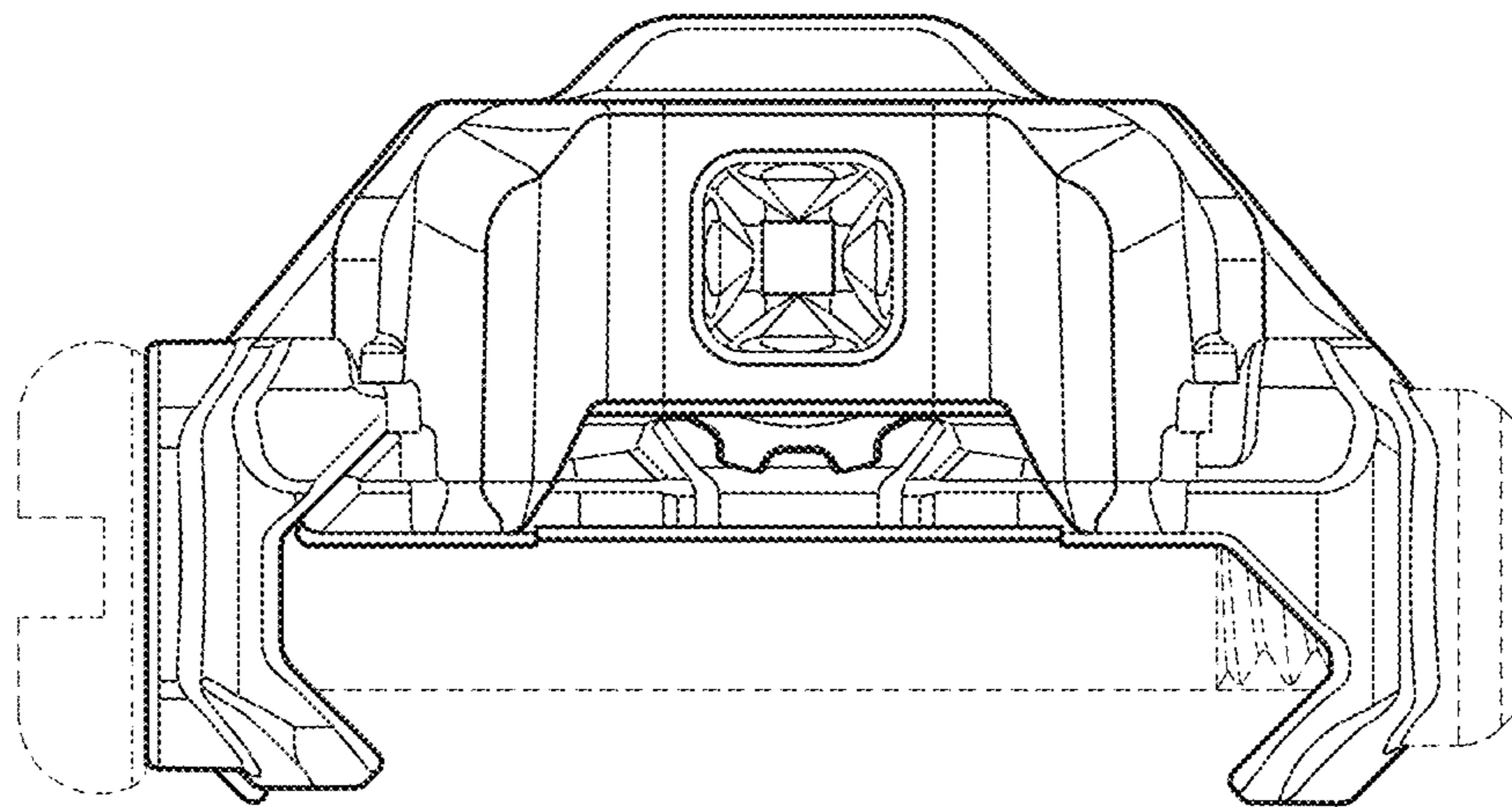
*FIG. 1*



*FIG. 2*



*FIG. 3*



*FIG. 4*

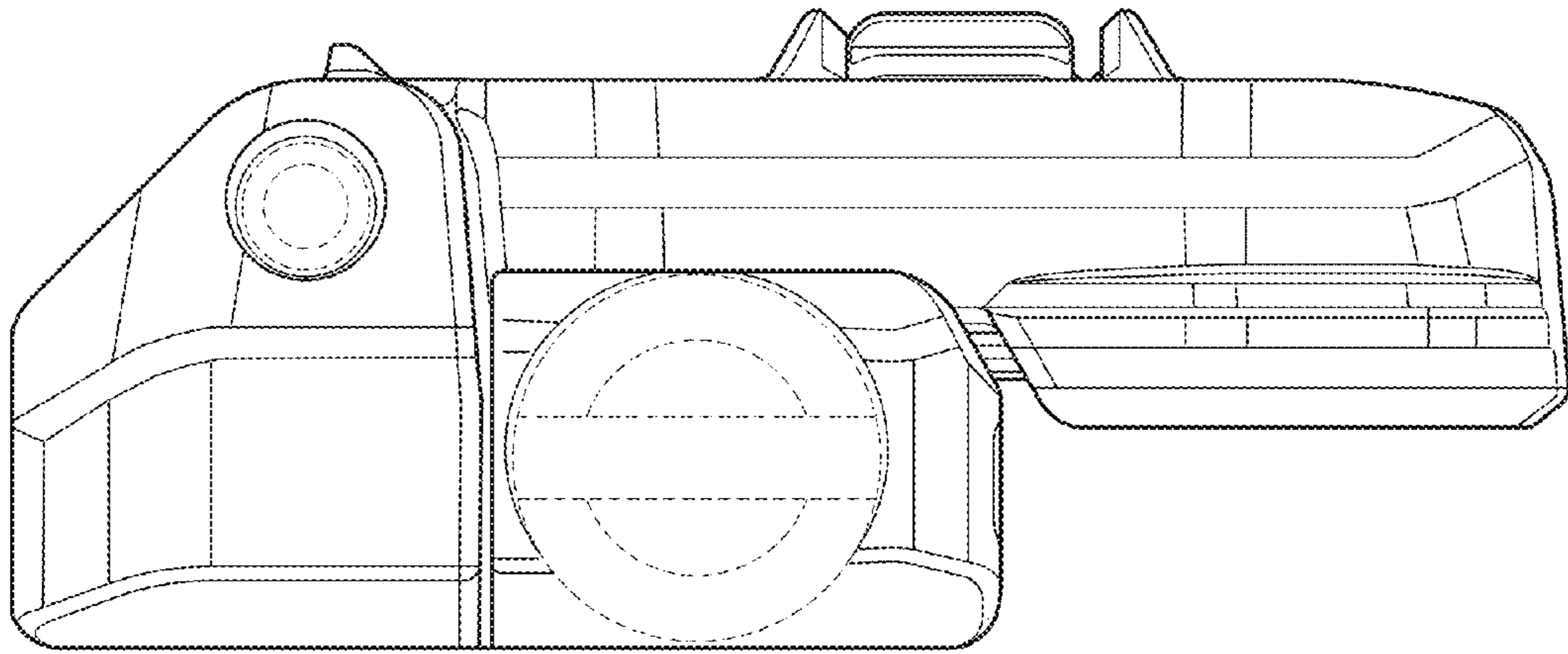


FIG. 5

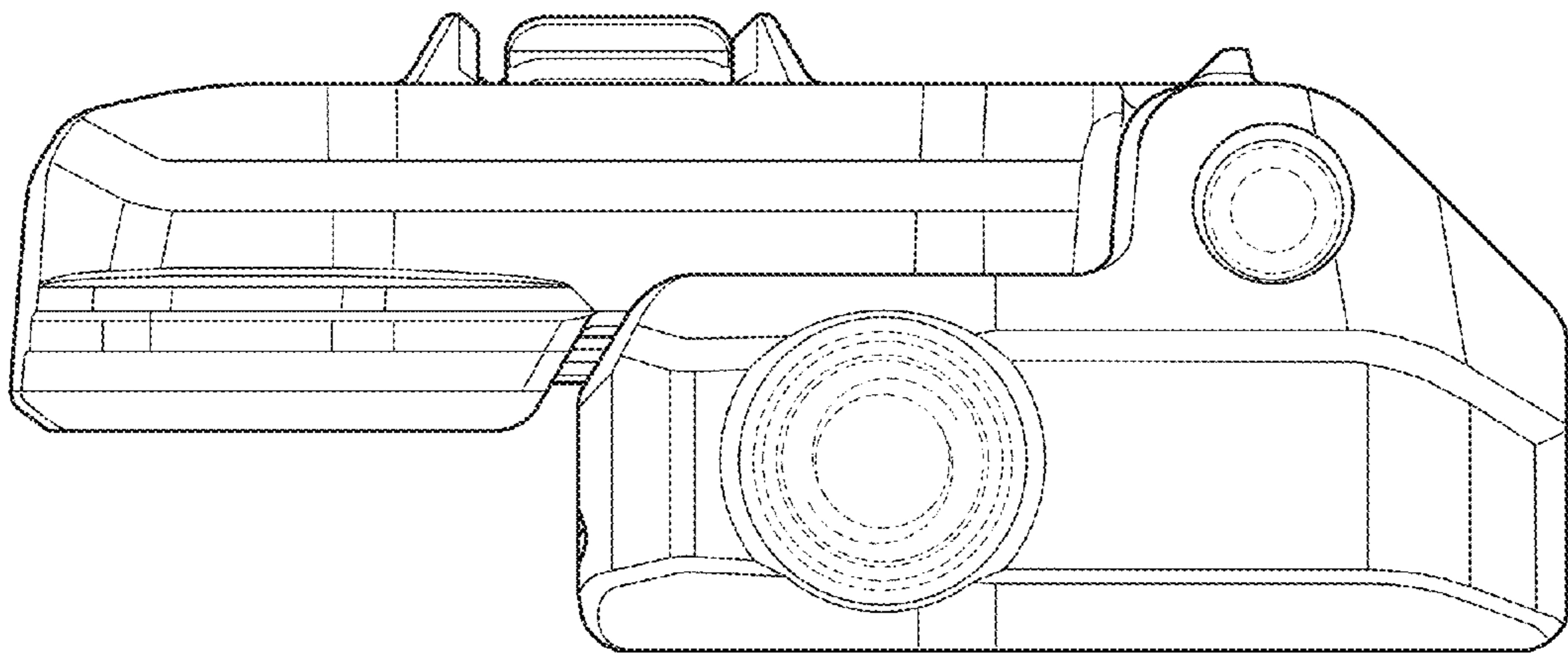


FIG. 6

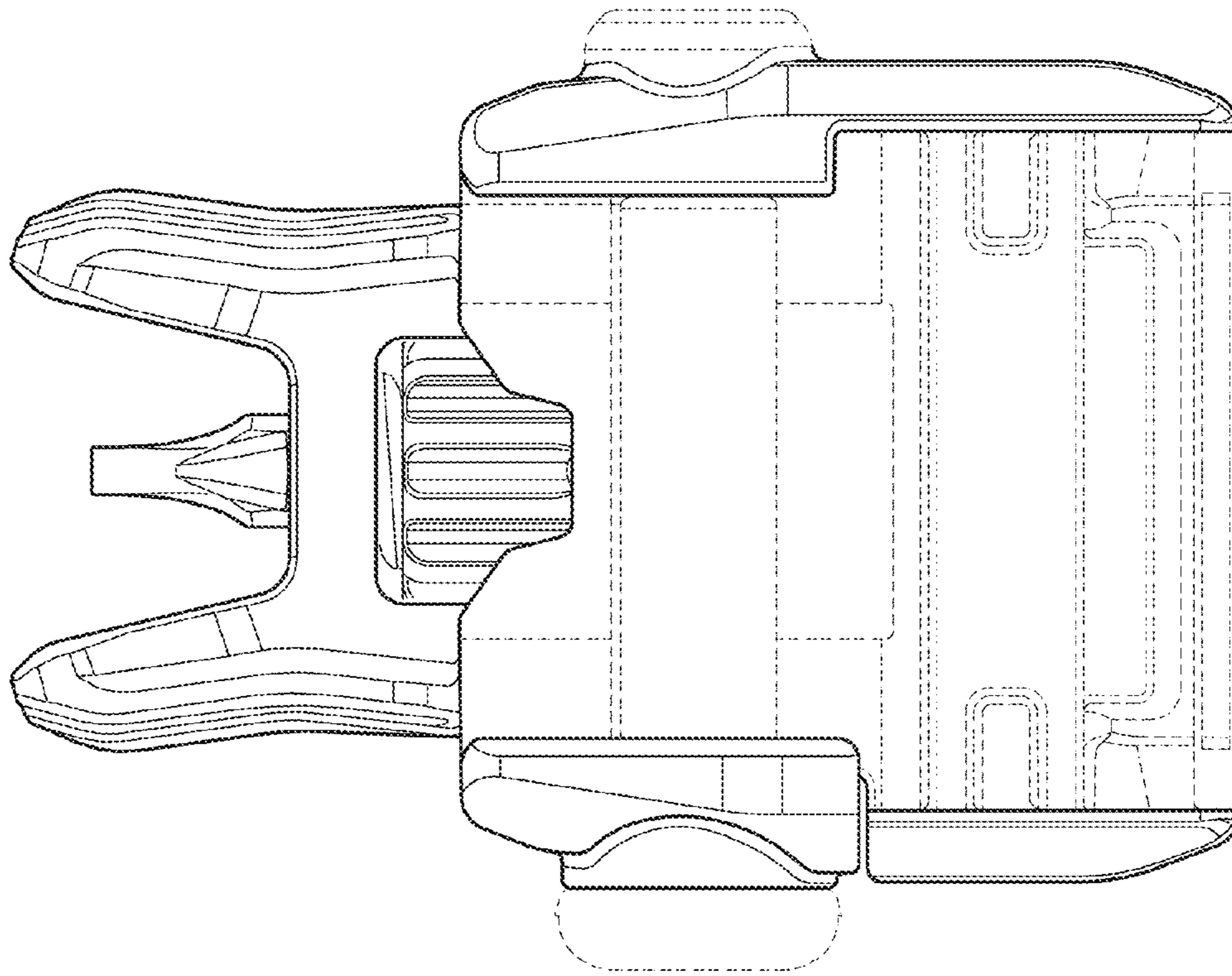


FIG. 8

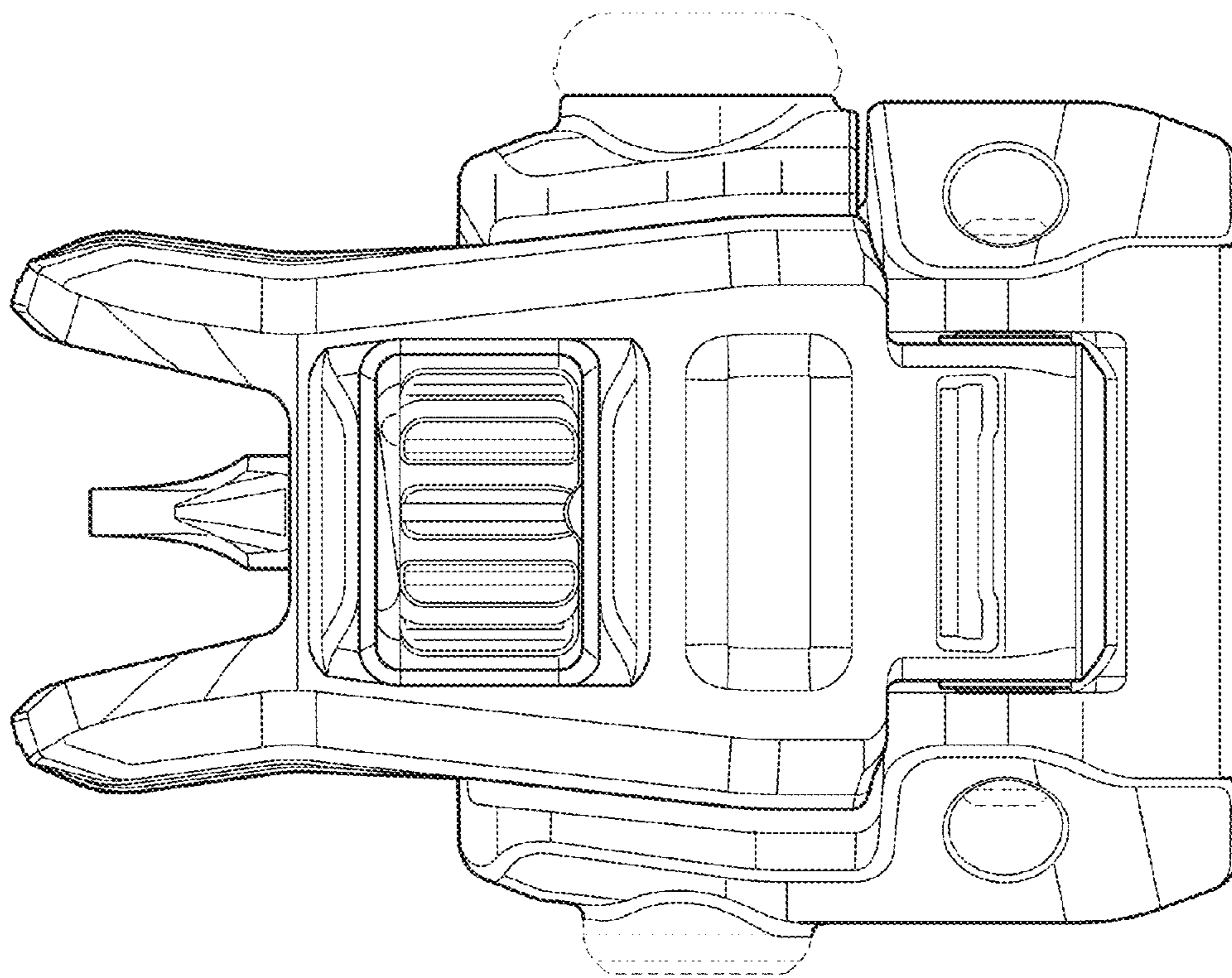
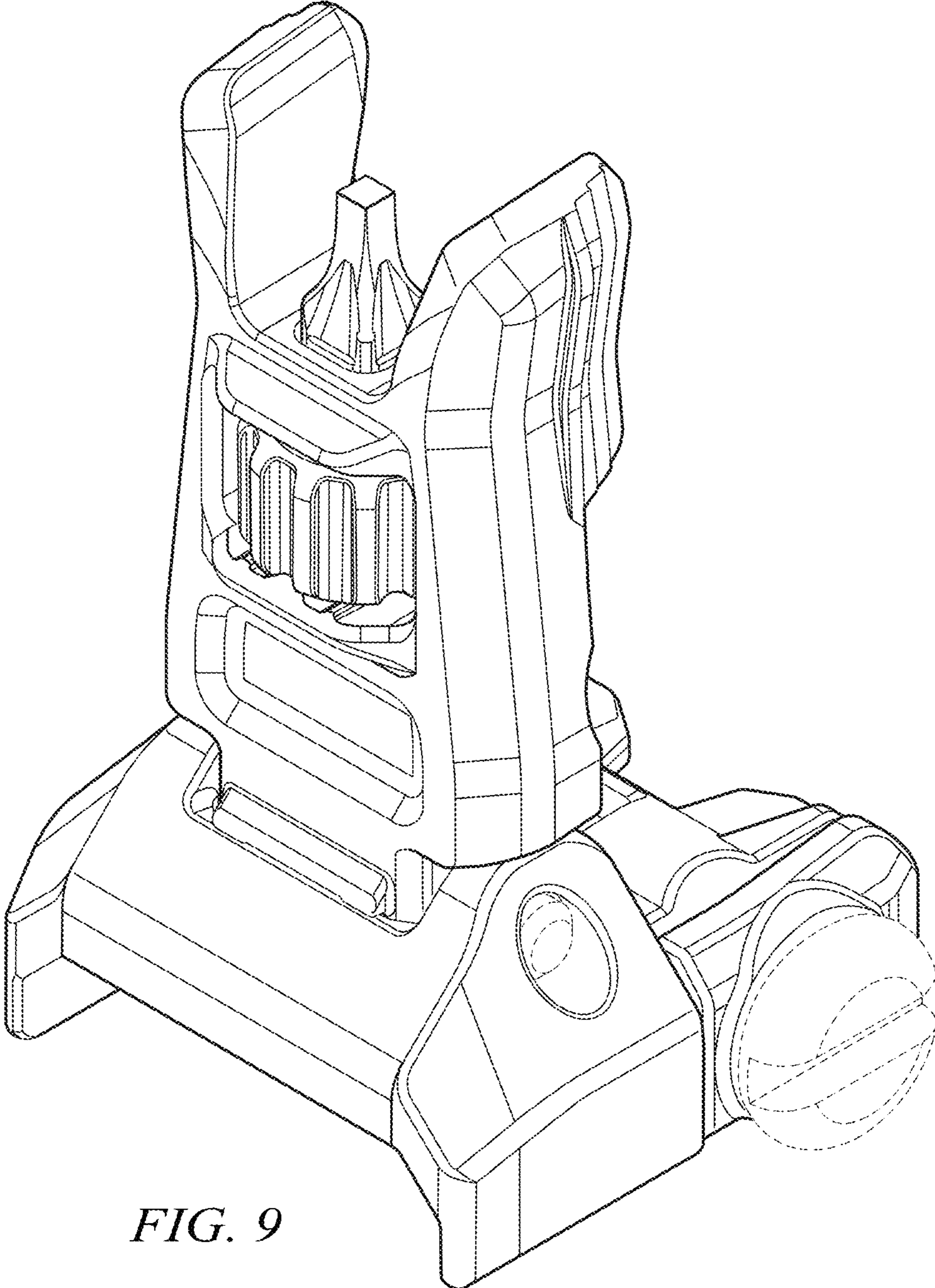
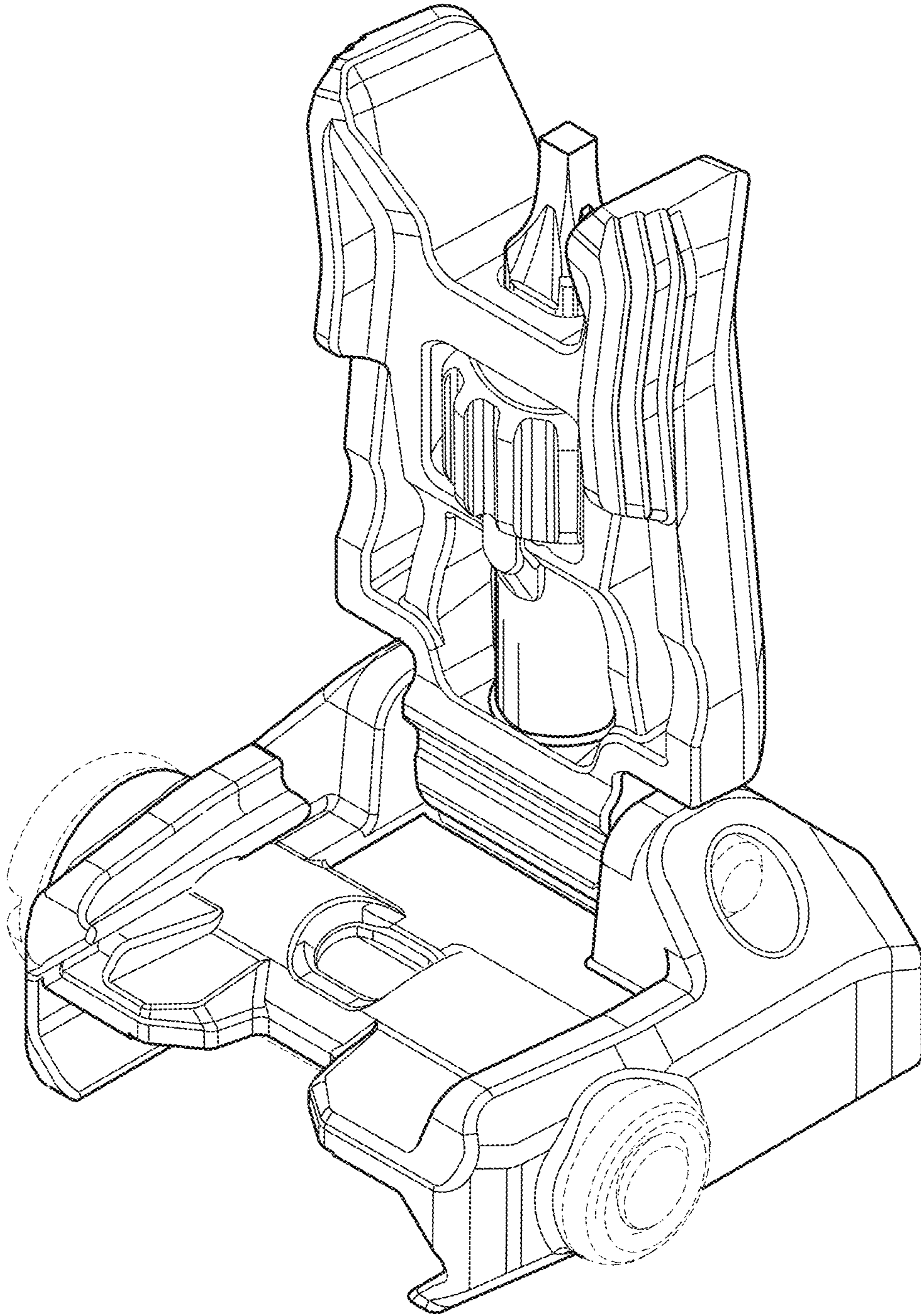


FIG. 7



*FIG. 9*



*FIG. 10*