



US00D736338S

(12) **United States Design Patent**
Fitzpatrick et al.

(10) **Patent No.:** **US D736,338 S**

(45) **Date of Patent:** **** Aug. 11, 2015**

(54) **FOLDING REAR SIGHT FOR A FIREARM**

(71) Applicant: **Magpul Industries Corporation**, Erie, CO (US)

(72) Inventors: **Richard Fitzpatrick**, Longmont, CO (US); **Michael T. Mayberry**, Denver, CO (US); **Grady Barfoot**, Denver, CO (US); **Brad Bennett**, Lafayette, CO (US)

(73) Assignee: **Magpul Industries Corporation**, Louisville, CO (US)

(**) Term: **14 Years**

(21) Appl. No.: **29/487,535**

(22) Filed: **Apr. 9, 2014**

Related U.S. Application Data

(63) Continuation of application No. 29/441,128, filed on Dec. 31, 2012, now Pat. No. Des. 704,792.

(51) **LOC (10) Cl.** **22-01**

(52) **U.S. Cl.**

USPC **D22/109**

(58) **Field of Classification Search**

USPC D22/108–109; 89/111–113; 359/399, 359/823, 744; 42/104, 105, 111–113, 116, 42/120, 124–126, 127–129, 141–148, 42/133–140; 33/227, 229

CPC F41G 1/00; F41G 1/01; F41G 1/02; F41G 1/06; F41G 1/065; F41G 1/08; F41G 1/10; F41G 1/12; F41G 1/14; F41G 1/30; F41G 1/32; F41G 1/38; F41G 1/40; F41G 1/42; F41G 1/44; F41G 1/46; F41G 1/383; F41G 1/387; F41G 1/393; F41G 3/00; F41G 3/005; F41G 3/02; F41G 3/04; F41G 3/06; F41G 3/14; F41G 11/002; F41G 11/003; F41G 11/004; F41G 11/005

See application file for complete search history.

(56) **References Cited**

U.S. PATENT DOCUMENTS

1,257,713 A 2/1918 Johnson
D235,339 S 6/1975 Edstrom

(Continued)

OTHER PUBLICATIONS

Design U.S. Appl. No. 29/443,370, “Folding Front Sight for a Firearm” filed Jan. 16, 2013.

(Continued)

Primary Examiner — Michael A Pratt

(74) *Attorney, Agent, or Firm* — Swanson & Bratschun, L.L.C.

(57) **CLAIM**

The ornamental design for a folding rear sight for a firearm, as shown and described.

DESCRIPTION

FIG. 1 is a rear, right, top perspective view of a folding rear sight for a firearm showing our new design;

FIG. 2 is a front, left, top perspective view of the folding rear sight for a firearm of FIG. 1;

FIG. 3 is a front elevation view of the folding rear sight for a firearm of FIG. 1;

FIG. 4 is a rear elevation view of the folding rear sight for a firearm of FIG. 1;

FIG. 5 is a right side elevation view of the folding rear sight for a firearm of FIG. 1;

FIG. 6 is a left side elevation view of the folding rear sight for a firearm of FIG. 1;

FIG. 7 is a top plan view of the folding rear sight for a firearm of FIG. 1;

FIG. 8 is a bottom plan view of the folding rear sight for a firearm of FIG. 1;

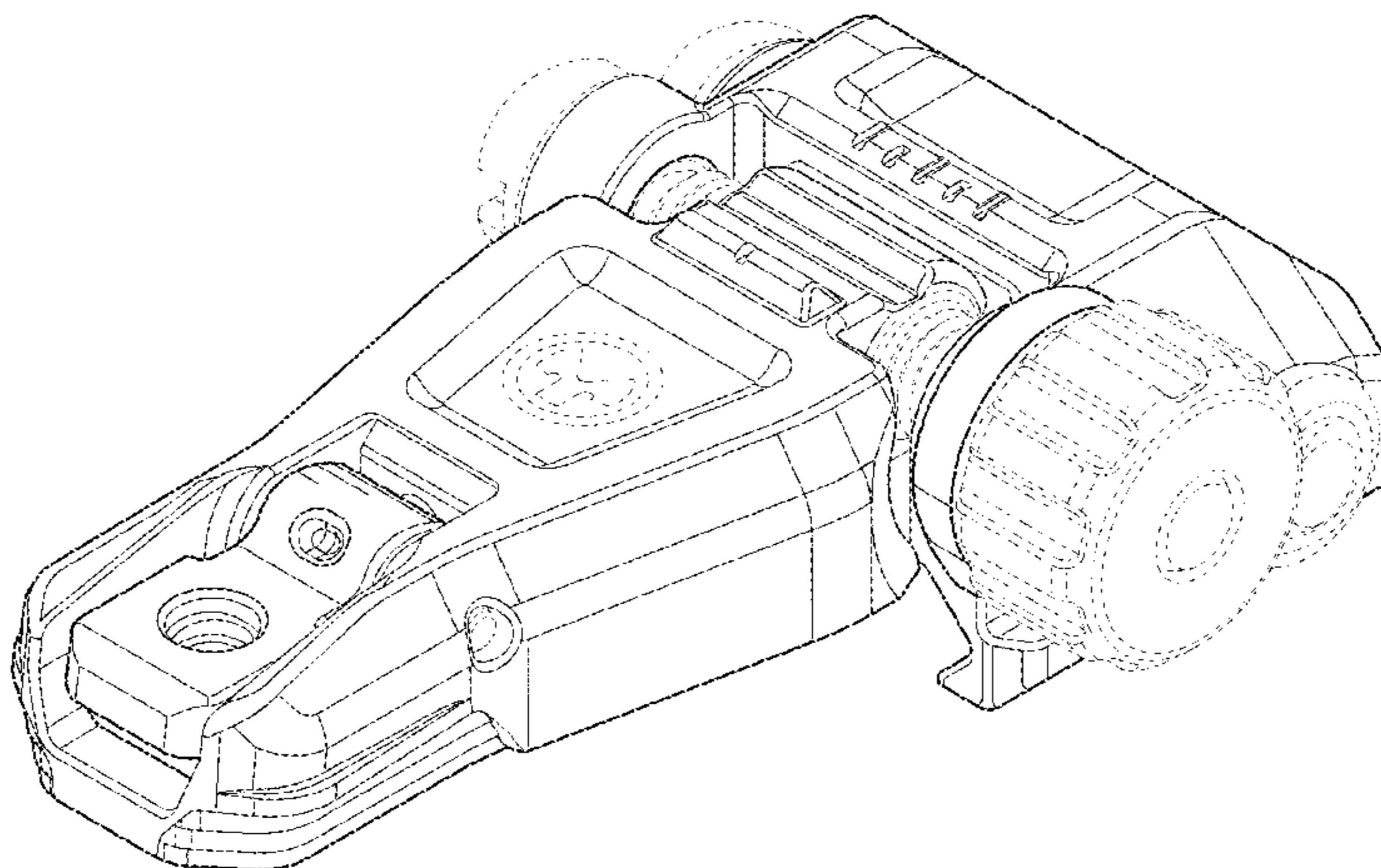
FIG. 9 is a front, right top perspective view of the folding rear sight for a firearm of FIG. 1 showing the rear sight pivoted to an upright operative position;

FIG. 10 is a rear, right, bottom perspective view of the folding rear sight for a firearm of FIG. 1 showing the rear sight pivoted to an upright operative position; and,

FIG. 11 is a front, left, top perspective view of the folding rear sight for a firearm of FIG. 1 showing the rear sight pivoted to an upright operative position and further showing a sight aperture restrictor pivoted downward to provide a large aperture in an operative position.

The broken lines showing portions of the design in all figures is included for the purpose of illustrating environment and unclaimed features and forms not part of the claimed design.

1 Claim, 9 Drawing Sheets



(56)

References Cited

U.S. PATENT DOCUMENTS

D354,111 S 1/1995 Karppinen
 6,779,290 B1 8/2004 Houtsma
 D526,380 S * 8/2006 Swan D22/109
 7,356,962 B2 * 4/2008 Swan 42/147
 D594,083 S 6/2009 Mayberry et al.
 D594,084 S 6/2009 Mayberry et al.
 D615,144 S * 5/2010 Mayberry et al. D22/109
 D635,634 S * 4/2011 Swan D22/109
 D637,259 S * 5/2011 Swan D22/109
 D637,261 S * 5/2011 Swan D22/109
 8,015,744 B1 * 9/2011 Swan 42/147
 D647,158 S * 10/2011 Dueck D22/109
 D648,413 S 11/2011 Mayberry et al.
 D657,013 S * 4/2012 Swan D22/109
 D675,281 S * 1/2013 Speroni D22/109
 D687,915 S * 8/2013 Adcock, Jr. D22/109
 D704,792 S * 5/2014 Fitzpatrick et al. D22/108
 D724,691 S * 3/2015 Barfoot et al. D22/109

2003/0140546 A1 7/2003 Kay
 2006/0156559 A1 7/2006 Forrest
 2007/0130817 A1 6/2007 Ballard
 2007/0234625 A1 10/2007 Kidd
 2007/0271834 A1 11/2007 Keng
 2008/0034638 A1 2/2008 Spuhr
 2008/0253110 A1 10/2008 Wu

OTHER PUBLICATIONS

Design U.S. Appl. No. 29/487,741, "Folding Front Sight for a Fire-arm" filed Apr. 11, 2014.
 Design U.S. Appl. No. 29/441,128, "Folding Rear Sight for a Fire-arm" filed Dec. 31, 2012.
 Design U.S. Appl. No. 29/475,735, "Rear Folding Sight for a Fire-arm" filed Dec. 5, 2013.
 Design U.S. Appl. No. 29/473,761, "Rear Folding Sight for a Fire-arm" filed Nov. 26, 2013.
 Design U.S. Appl. No. 29/475,733, "Front Folding Sight for a Fire-arm" filed Dec. 5, 2013.

* cited by examiner

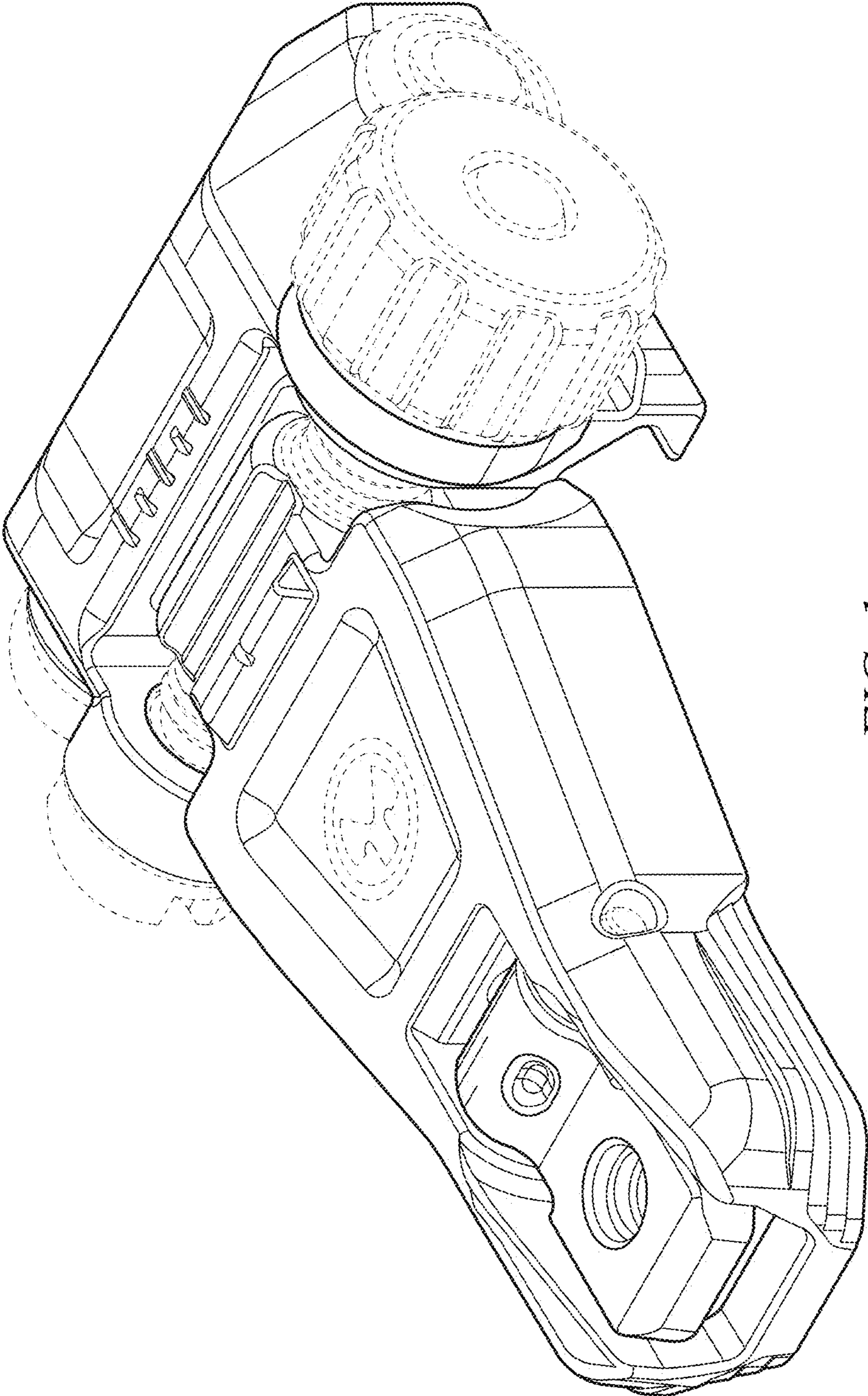


FIG. 1

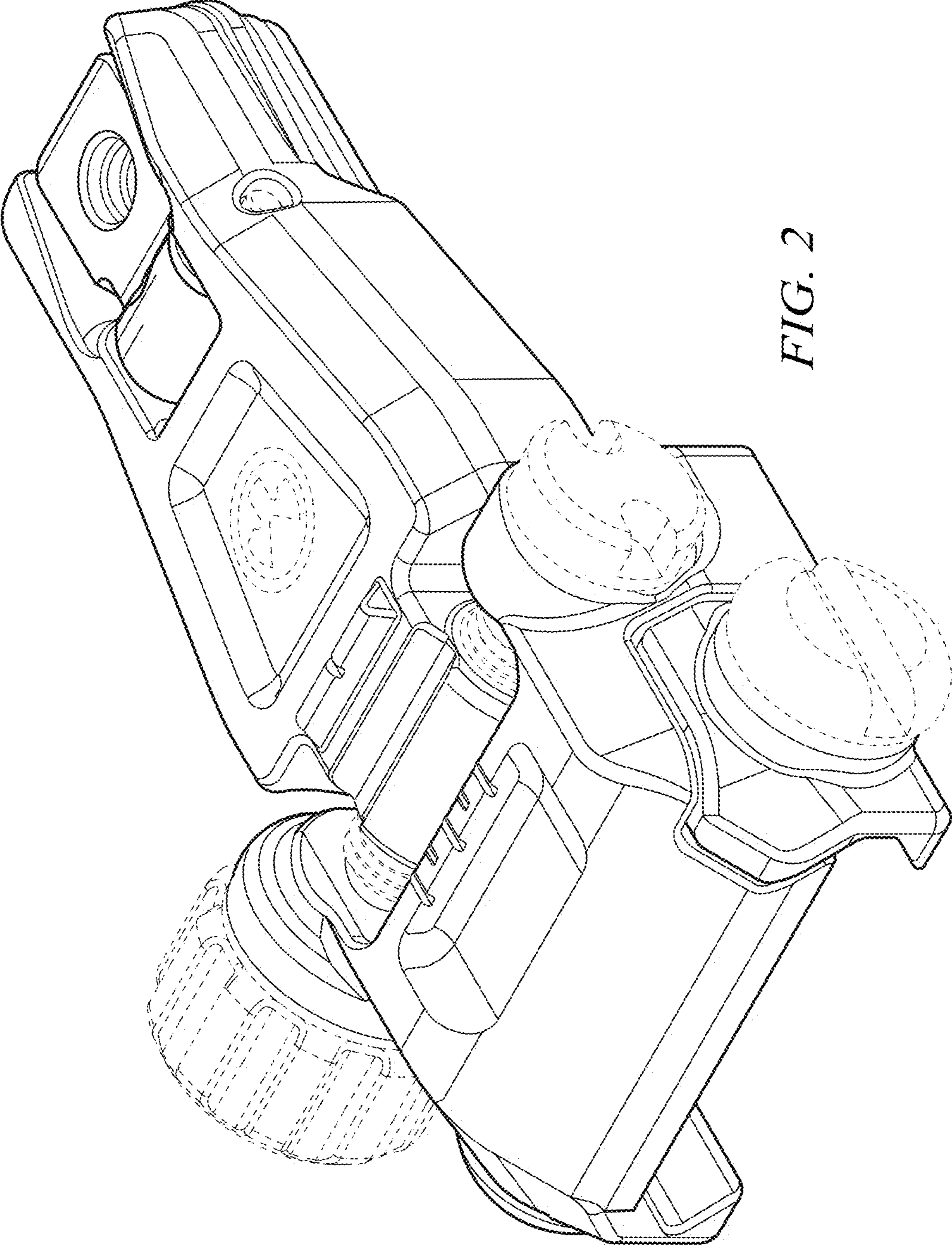


FIG. 2

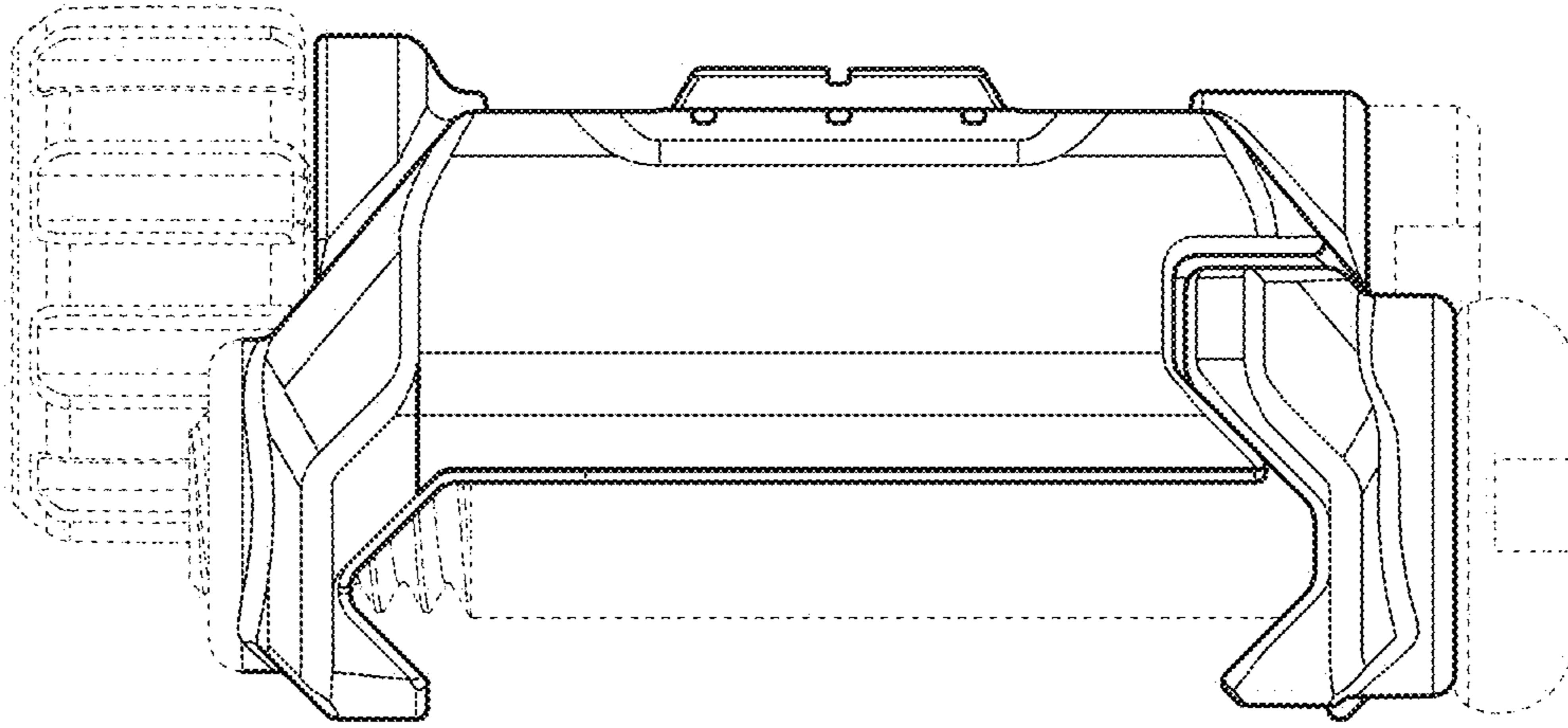


FIG. 3

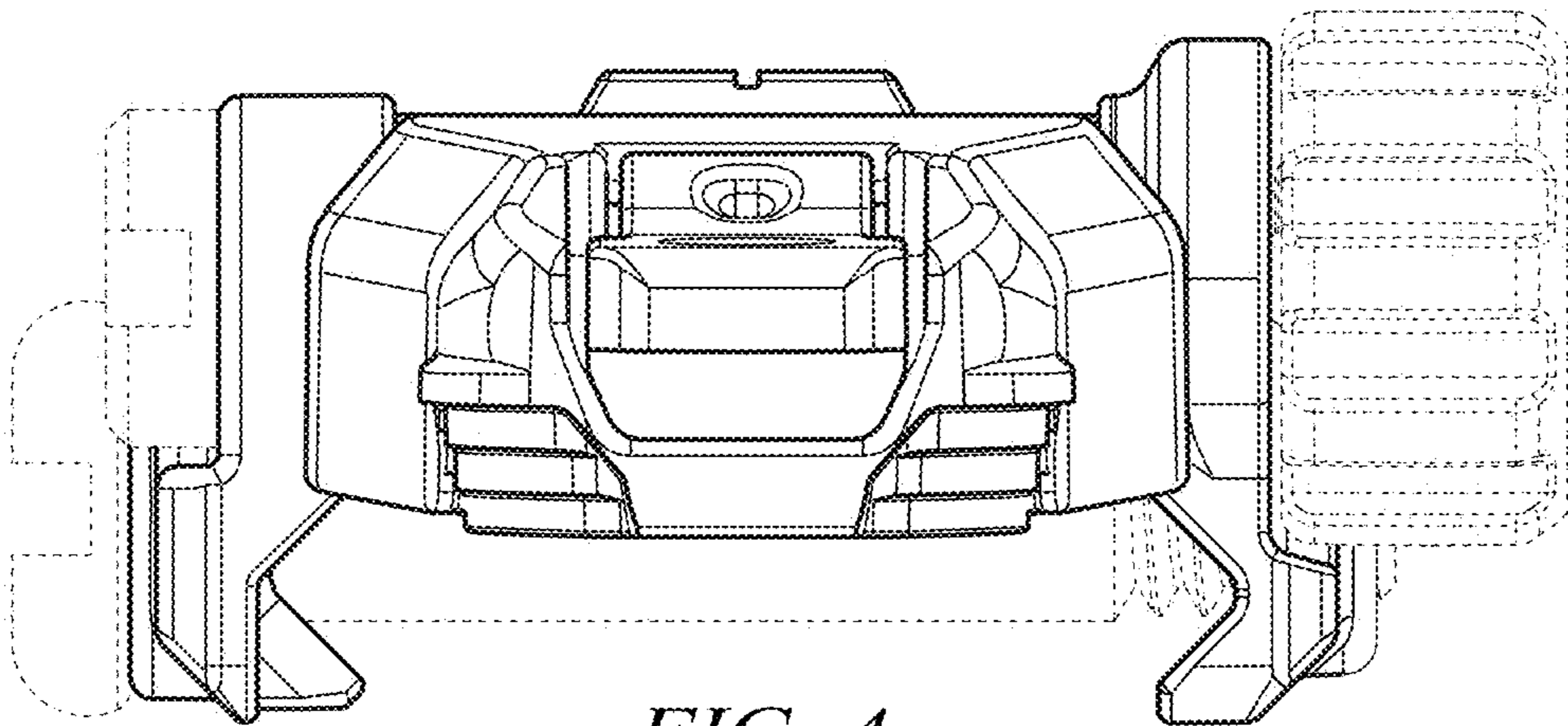


FIG. 4

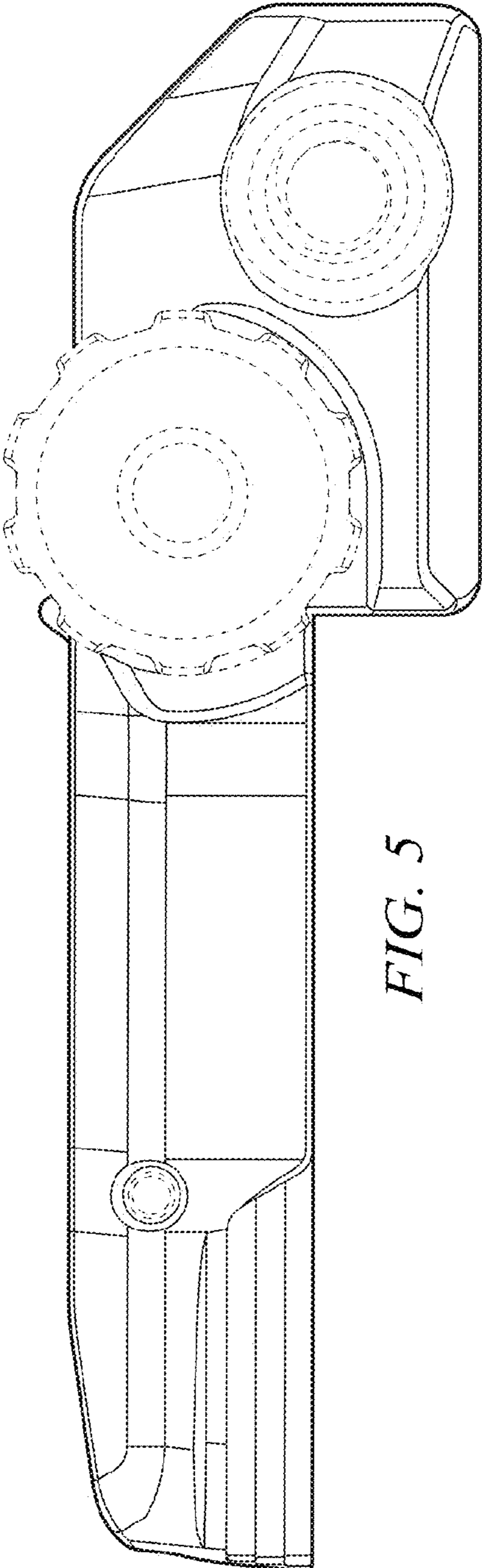


FIG. 5

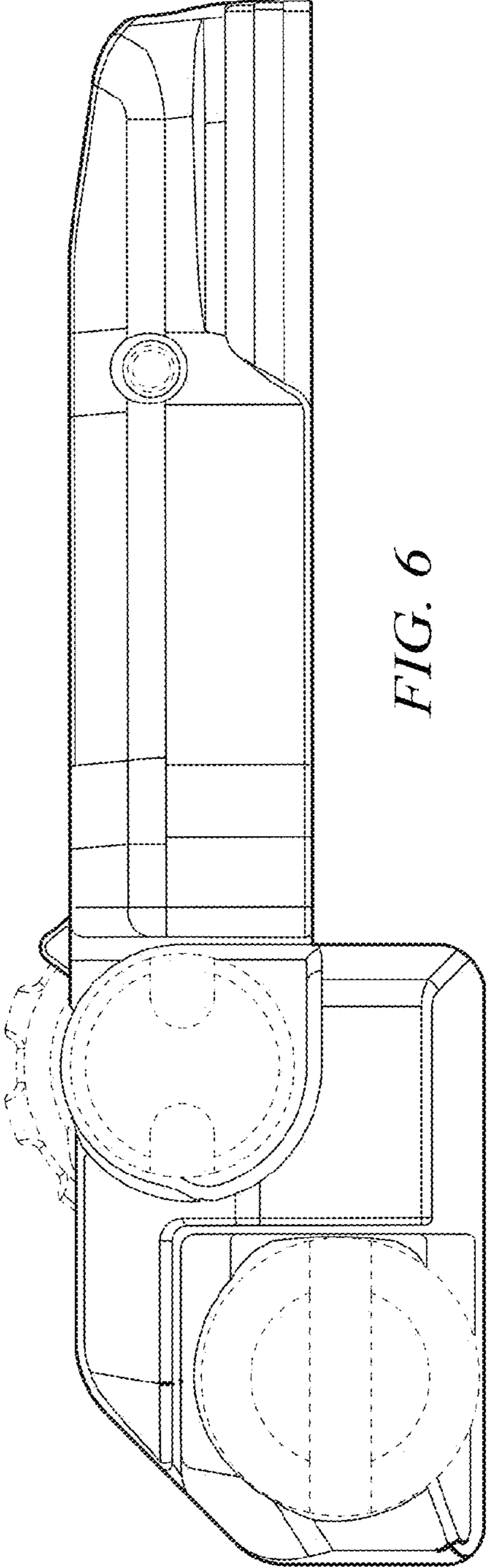


FIG. 6

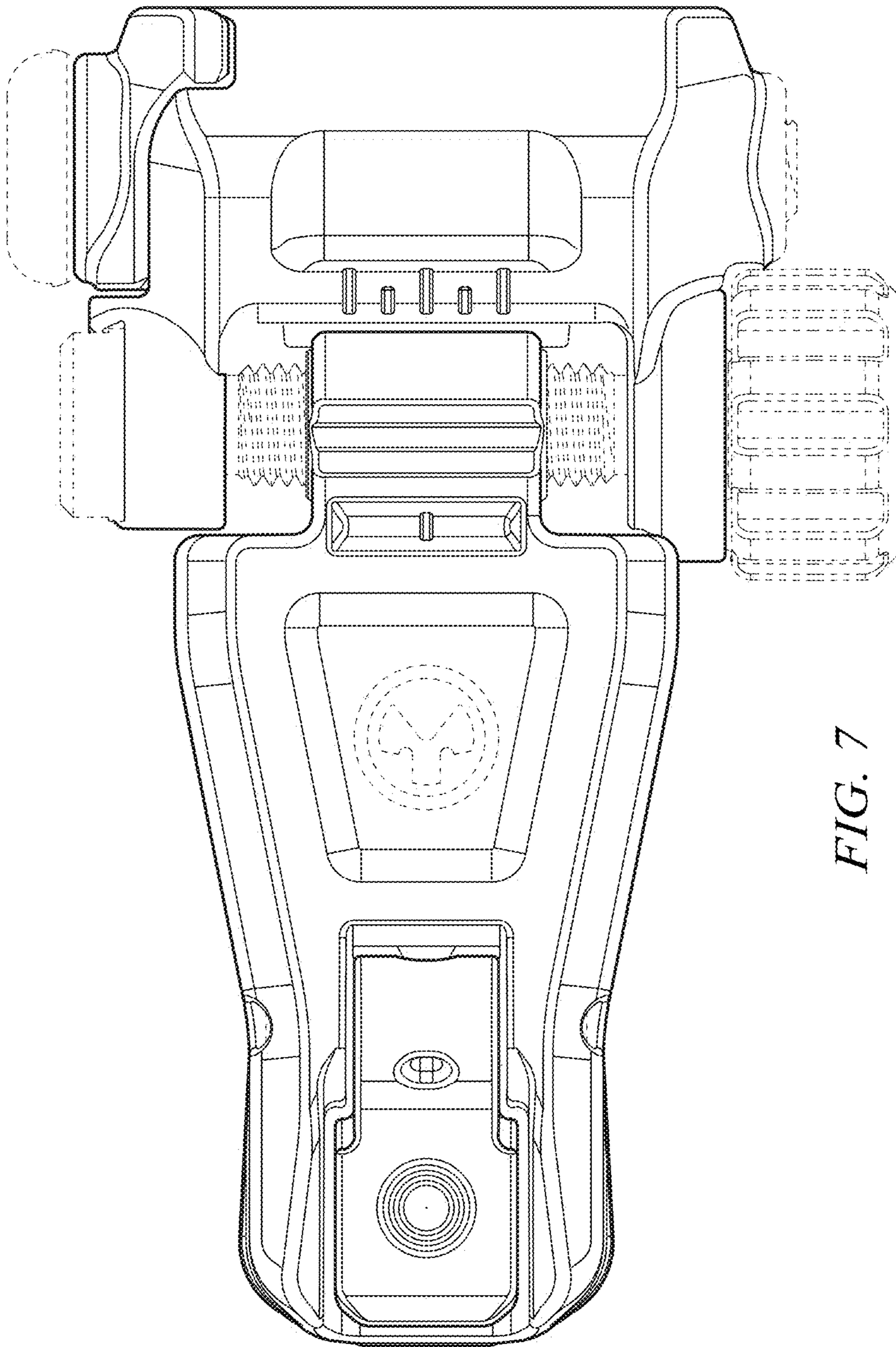


FIG. 7

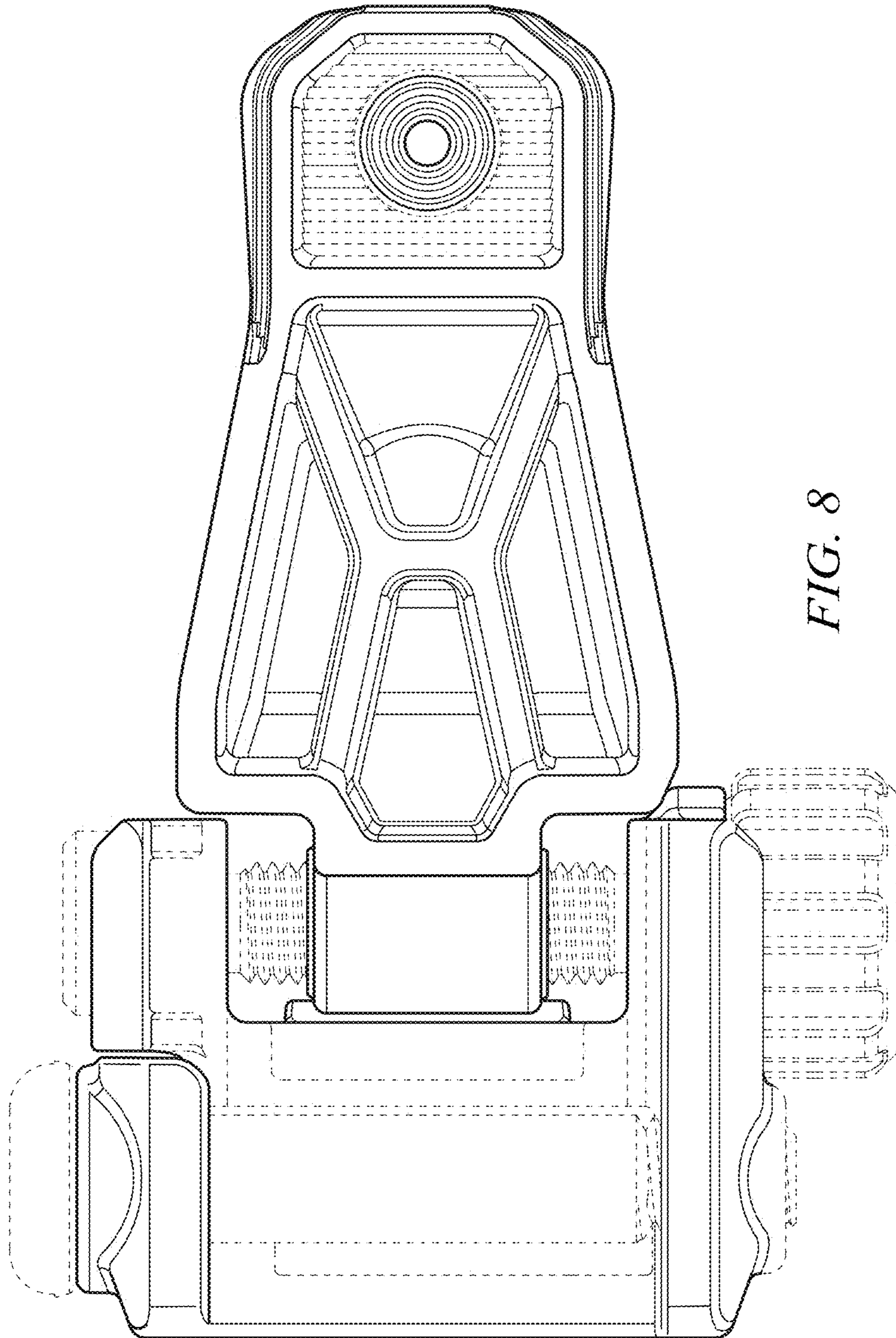


FIG. 8

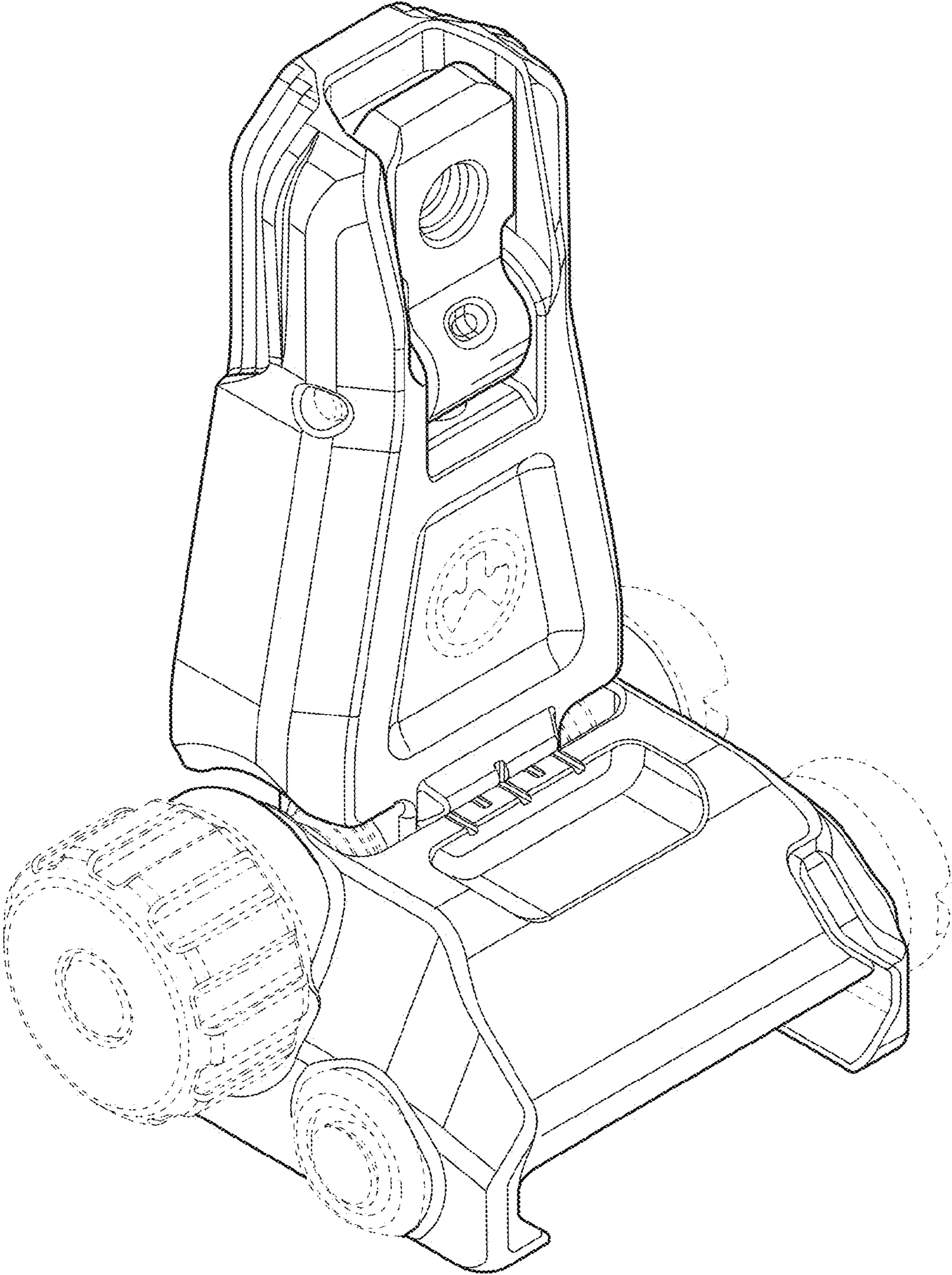


FIG. 9

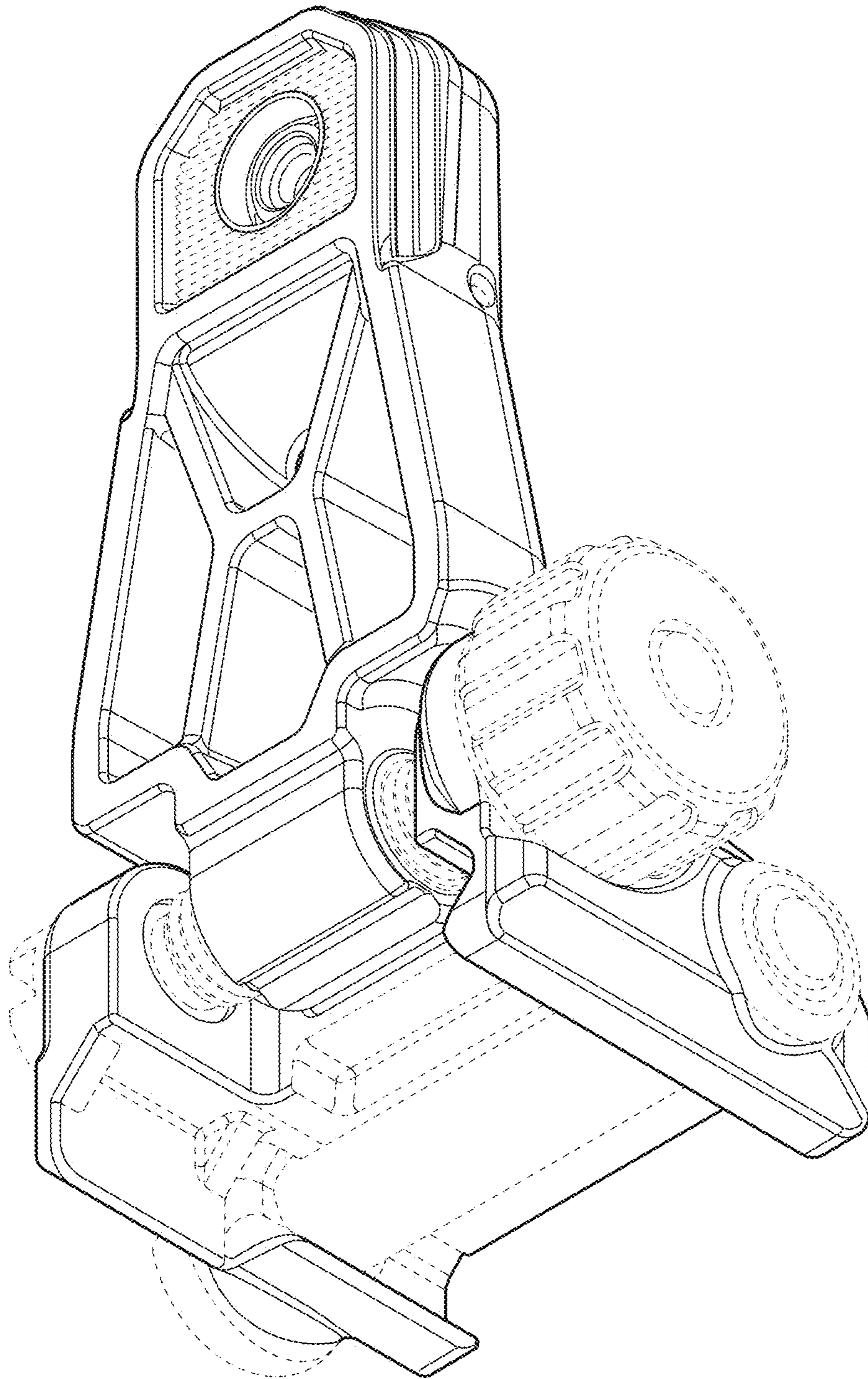


FIG. 10

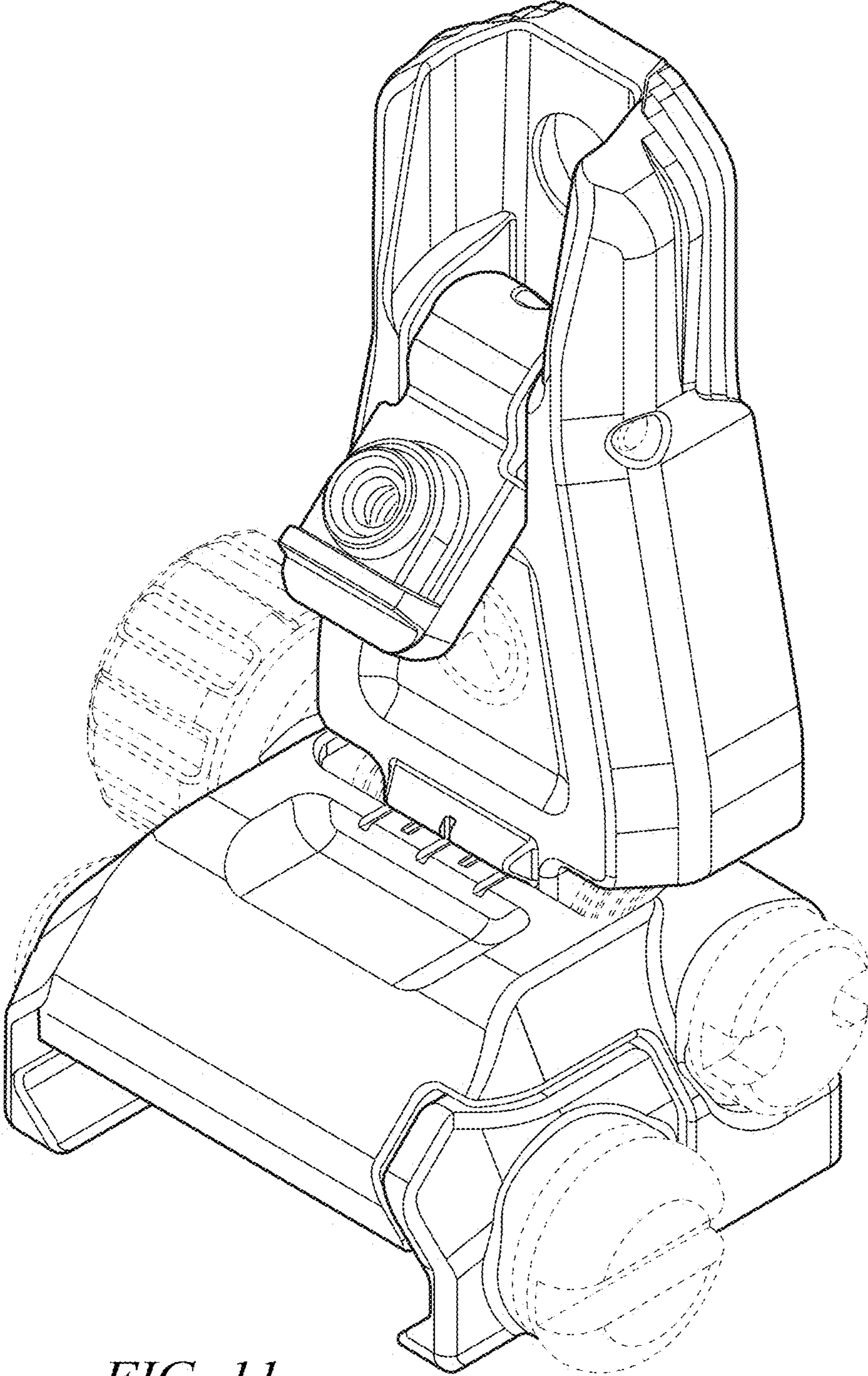


FIG. 11