



US00D736337S

(12) **United States Design Patent**  
**Kielsmeier et al.**

(10) **Patent No.:** **US D736,337 S**

(45) **Date of Patent:** **\*\* Aug. 11, 2015**

(54) **FIREARM MAGAZINE**

(71) Applicant: **Magpul Industries Corporation**, Erie, CO (US)

(72) Inventors: **Nick Kielsmeier**, Thornton, CO (US);  
**Brian Nakayama**, Arvada, CO (US);  
**Michael T. Mayberry**, Denver, CO (US);  
**Richard Fitzpatrick**, Longmont, CO (US);  
**Duane Liptak**, Erie, CO (US)

(73) Assignee: **Magpul Industries Corporation**, Louisville, CO (US)

(\*\*) Term: **14 Years**

(21) Appl. No.: **29/486,625**

(22) Filed: **Apr. 1, 2014**

(51) **LOC (10) Cl.** ..... **22-01**

(52) **U.S. Cl.**  
USPC ..... **D22/108**

(58) **Field of Classification Search**  
USPC ..... D22/103, 108; D21/572-573;  
124/66-67, 74; 42/51, 71.01, 75.01,  
42/75.02, 90, 94; 362/110; 89/40.06,  
89/37.04, 33.04, 191.01  
CPC ..... F41A 9/61; F41A 9/62; F41A 9/63;  
F41A 9/64; F41A 9/65; F41A 9/68; F41A  
9/69; F41A 9/73; F41A 9/74; F41A 9/75;  
F41A 9/79; F41A 9/86  
See application file for complete search history.

(56) **References Cited**

**U.S. PATENT DOCUMENTS**

4,100,694	A	7/1978	Musgrave
4,139,959	A	2/1979	Howard
4,484,404	A	11/1984	Johnson
4,586,281	A	5/1986	Chesnut
4,617,749	A	10/1986	Jurek
4,628,627	A	12/1986	Johnson
D297,854	S	9/1988	Vyprachticky
5,099,595	A	3/1992	Chesnut

(Continued)

**OTHER PUBLICATIONS**

Brownells\_2012\_AR15-M16\_20-30-Round\_Magazines  
Brownells (2012) Ar-15/M16 20- & 30-Round Magazines; Website [Online] Available Web Site: <http://www.brownells.com/.aspx/pid=21225/Product/AR-15-M16-20-30-ROUND-MAGAZINES>; Last Update: unknown; Accessed on May 4, 2012.  
Brownells AR-15/M16 Tactical Magazine Brownells (Apr. 20, 2010) AR-15/M16 Tactical Magazine; Website [Online] Available Web Site: [http://www.brownells.com/.aspx/pid=24307/Product/AR\\_15\\_M16\\_TACTICAL\\_MAGAZINE](http://www.brownells.com/.aspx/pid=24307/Product/AR_15_M16_TACTICAL_MAGAZINE); Last Update: Unknown; Accessed on: Apr. 20, 2010.

(Continued)

*Primary Examiner* — Michael A Pratt

(74) *Attorney, Agent, or Firm* — Swanson & Bratschun, L.L.C.

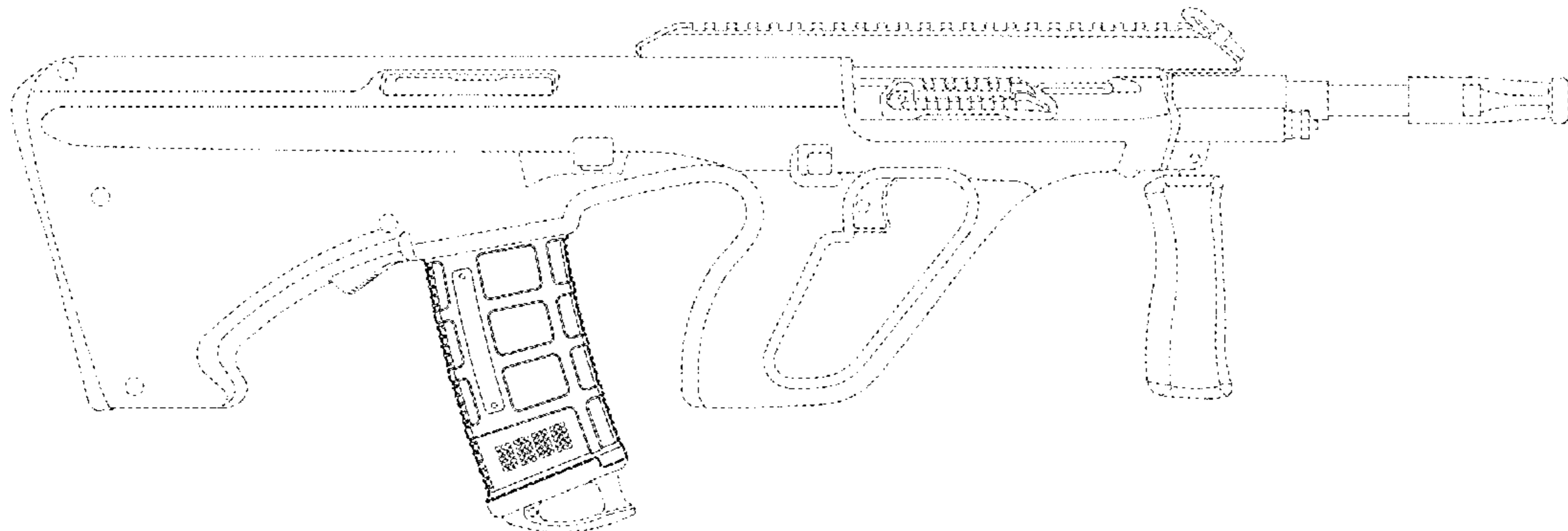
(57) **CLAIM**

The ornamental design for a firearm magazine, as shown and described.

**DESCRIPTION**

FIG. 1 is a right side elevation view of firearm magazine showing our new design attached to a firearm;  
FIG. 2 is a left, bottom, front perspective view of the firearm magazine of FIG. 1;  
FIG. 3 is a right side elevation view of the firearm magazine of FIG. 1;  
FIG. 4 is a left side elevation view of the firearm magazine of FIG. 1;  
FIG. 5 is a top plan view of the firearm magazine of FIG. 1;  
FIG. 6 is a bottom plan view of the firearm magazine of FIG. 1;  
FIG. 7 is a front elevation view of the firearm magazine of FIG. 1;  
FIG. 8 is a rear elevation view of the firearm magazine of FIG. 1; and,  
FIG. 9 is a bottom, right, rear perspective view of the firearm magazine of FIG. 1.  
The broken lines showing portions of the design in all figures are included for the purpose of illustrating environment and unclaimed features and forms not part of the claimed design.

**1 Claim, 7 Drawing Sheets**



(56)

## References Cited

## U.S. PATENT DOCUMENTS

D362,044	S	9/1995	Sniezak	
7,373,751	B1	5/2008	Schaffer	
D593,635	S	6/2009	Fitzpatrick	
7,562,482	B1	7/2009	Johnson	
D600,303	S	9/2009	Fitzpatrick	
D614,719	S	4/2010	Fitzpatrick	
D614,720	S	4/2010	Fitzpatrick	
D614,721	S	4/2010	Fitzpatrick	
D616,057	S	5/2010	Fitzpatrick	
D620,544	S	7/2010	Fitzpatrick	
D620,545	S	7/2010	Fitzpatrick	
7,798,045	B1	9/2010	Fitzpatrick	
D632,752	S	2/2011	Fitzpatrick et al.	
D633,164	S	2/2011	Fitzpatrick	
D633,589	S	3/2011	Fitzpatrick	
D633,590	S	3/2011	Fitzpatrick	
7,958,660	B2	6/2011	Fitzpatrick	
D642,234	S	7/2011	Marfione	
D642,647	S	8/2011	Fitzpatrick	
8,061,255	B1	11/2011	Boberg	
D678,455	S	3/2013	Hatfield	
D680,613	S	4/2013	Fitzpatrick	
D681,151	S	4/2013	Fitzpatrick	
D688,766	S	8/2013	Fitzpatrick	
D691,233	S *	10/2013	Bennett et al.	D22/108
D695,378	S	12/2013	Fitzpatrick	
D704,293	S *	5/2014	Mullen et al.	D22/108
D706,895	S *	6/2014	Zayatz et al.	D22/108
D716,903	S *	11/2014	Larmer et al.	D22/108
2010/0251590	A1	10/2010	Fitzpatrick	
2012/0066950	A1	3/2012	Davidson	
2012/0317857	A1	12/2012	Fitzpatrick	
2013/0086834	A1	4/2013	Battaglia	
2015/0107143	A1 *	4/2015	Coetzee et al.	42/14

## OTHER PUBLICATIONS

Cheaperthandirt.com\_2010\_Mag\_AR-15\_223\_Orlite  
Cheaperthandirt.com (Apr. 20, 2010) Mag AR-15.223 Orlite 30 Round Israeli Shows Field Use; Website [Online] Available Web Site: <http://www.cheaperthandirt.com/MAG105-1.html>; Last Update: Unknown; Accessed on: Apr. 20, 2010.

EMA\_Tactical\_CDMAG\_Countdown\_Magazine EMA Tactical (Apr. 20, 2010) CDMAG Countdown Magazine; Website [Online] Available Web Site: <http://www.ematactical.com/viewProduct.asp?ID=278&catID=8>; Last Update: Unknown; Accessed on: Apr. 20, 2010.

Foltz (Feb. 21, 2007) 5.56mm 30 Round Magazine Improvement Programs; PDF [Online] Available Web Site: <http://www.dtic.mil/ndia/2006smallarms/foltz.pdf> Last Update: Feb. 21, 2007; Accessed on: Apr. 20, 2010.

Gunbroker.com\_2010\_Eagle\_International\_223\_Polymer\_Magazine Gunbroker.com (Apr. 20, 2010) Eagle International .223 Polymer Magazine 223; Website [Online] Available Web Site: <http://www.gunbroker.com/Auction/ViewItem.aspx?Item=164602069#PIC>; Last Update: Unknown; Accessed on: Apr. 20, 2010.

HKParts.net\_2010\_HK\_G36\_30\_Round\_Magazine HKParts.net (Apr. 20, 2010) HK G36 30 Round Magazine; Website [Online] Available Web Site: <http://www.hkparts.net/shop/pc/HK-G36-30-Round-Mag-Fits-G36-G36K-G36C-Converted-SL8-s-182p624.htm>; Last Update: Unknown; Accessed on: Apr. 20, 2010.

HKParts.net\_2010\_30\_Round\_HK\_416\_KCI\_Steel\_556\_Magazine HKParts.net (Apr. 20, 2010) 30 Round HK 416 KCI Steel .556 Magazine; Website [Online] Available Web Site: <http://www.hkparts.net/shop/pc/30-Round-HK-416-KCI-Steel-556-Magazine-64p982.htm>; Last Update: Unknown; Accessed on: Apr. 20, 2010.

HKParts.net\_2010\_SL8\_20\_Round\_Single\_Stack\_Magazine HK Parts.net (May 7, 2010) SL8 20 Round Single Stack Magazine; Website [Online] Available Web Site: <http://www.hkparts.net/shop/>

pc/SL8-20-Round-Single-Stack-Magazine-182p805.htm; Last Update: Jul. 6, 2010; Accessed on May 4, 2012.

Lancer\_Systems\_2010\_L5\_Translucent\_Magazine\_20-30\_Round Lancer Systems (Apr. 16, 2010) L5 Translucent Magazine 2- & 30 Round Magazines; Website [Online] Available Web Site: [http://www.lancer-systems.com/L5\\_2010\\_30.html](http://www.lancer-systems.com/L5_2010_30.html); Last Update: Nov. 14, 2010; Accessed on: May 4, 2012.

Lancer\_Systems\_2010\_L5\_Translucent\_Magazine Lancer Systems (Apr. 20, 2010) L5 Translucent Magazine; Website [Online] Available Web Site: [http://www.lancer-systems.com/L5\\_2010\\_30.html](http://www.lancer-systems.com/L5_2010_30.html); Last Update: Unknown; Accessed on: Apr. 20, 2010.

Lancer\_Systems\_2012\_AWM\_Magazine Lancer Systems (2012) L5 AWM Magazine; Website [Online] Available Web Site: [http://www.lancer-systems.com/L5\\_AWM.html](http://www.lancer-systems.com/L5_AWM.html); Last Update: Unknown; Accessed on: May 4, 2012.

Magpul\_2010\_PMAG\_Magazines Magpul (Jan. 3, 2010) PMAG Magazines; Website [Online] Available Web Site: [http://store.magpul.com/prod\\_detail\\_list/2](http://store.magpul.com/prod_detail_list/2) Last Update: Dec. 2, 2010 Accessed on: May 4, 2012.

Remtek.com\_1999\_Steyr\_AUG\_Magazine\_Group Remtek.com (Oct. 4, 1999) Steyr AUG Magazine Group; Website [Online] Available Web Site: <http://www.remtek.com/arms/steyr/aug/specs/magazine/magazine.htm> Last Update: Apr. 7, 2009; Accessed on: May 4, 2012.

Tangodown\_2010\_ARC-L\_Magazine TangoDown (Apr. 20, 2010) ARC-L Magazine; Website [Online] Available Web Site: [http://tangodown.com/shop/product\\_info.php?products\\_id=126](http://tangodown.com/shop/product_info.php?products_id=126); Last Update: Unknown; Accessed on: Apr. 20, 2010.

ThermoldMagazines.com\_2010\_Magazines Thermoldmagazines.com (Apr. 20, 2010) Magazines; Website [Online] Available Web Site: <http://www.thermoldmagazines.com/magazines.html>; Last Update: Unknown; Accessed on: Apr. 20, 2010.

ThermoldMagazines.com\_2012\_M-16AR-M15-30-Magazines Thermoldmagazines.com (2012) M-16/AR-15/30-Magazine; Website [Online] Available Web Site: <http://www.thermoldmagazines.com/collections/magazines-accessories/products/m-16-ar-15-30-magazine>; Last Update: Unknown; Accessed on: May 4, 2012.

Troyind.com\_2010\_Troy\_BattleMag Troyind.com (Apr. 20, 2010) Troy BattleMag; Website [Online] Available Web Site: [http://store.troyind.com/Troy\\_BattleMag\\_p/smag-sin-00bt-00.htm](http://store.troyind.com/Troy_BattleMag_p/smag-sin-00bt-00.htm); Last Update: Unknown; Accessed on: Apr. 20, 2010.

Design U.S. Appl. No. 29/354,007, filed Jan. 18, 2010, "Small Capacity Firearm Magazine" by Fitzpatrick.

Design U.S. Appl. No. 29/354,008, filed Jan. 18, 2010, "Medium Capacity Firearm Magazine" by Fitzpatrick.

Design U.S. Appl. No. 29/354,005, filed Jan. 18, 2010, "Large Capacity Firearm Magazine" by Fitzpatrick.

Design U.S. Appl. No. 29/354,001, filed Jan. 18, 2010, "Firearm Magazine" by Fitzpatrick.

Design U.S. Appl. No. 29/410,910, filed Jan. 13, 2012, "PMAG 30M3 Firearm Magazine" by Fitzpatrick.

Design U.S. Appl. No. 29/420,155, filed May 4, 2012, "Translucent Magazine for a Firearm" by Fitzpatrick.

Design U.S. Appl. No. 29/423,116, filed May 29, 2012, "M3 10 Magazine" by Bennett.

Design U.S. Appl. No. 29/423,117, filed May 29, 2012, "M3 20 Magazine" by Bennett.

Design U.S. Appl. No. 29/440,787, filed Dec. 27, 2012, "Firearm Magazine" by Mayberry.

Design U.S. Appl. No. 29/440,889, filed Dec. 28, 2012, "Firearm Magazine" by Kielsmeier.

Design U.S. Appl. No. 29/440,792, filed Dec. 27, 2012, "Firearm Magazine with Window" by Kielsmeier.

Design U.S. Appl. No. 29/450,963, filed Mar. 26, 2013, "Magazine for a Firearm" by Nakayama.

Design U.S. Appl. No. 29/450,964 filed Mar. 26, 2013, "Magazine for a Firearm" by Nakayama.

\* cited by examiner

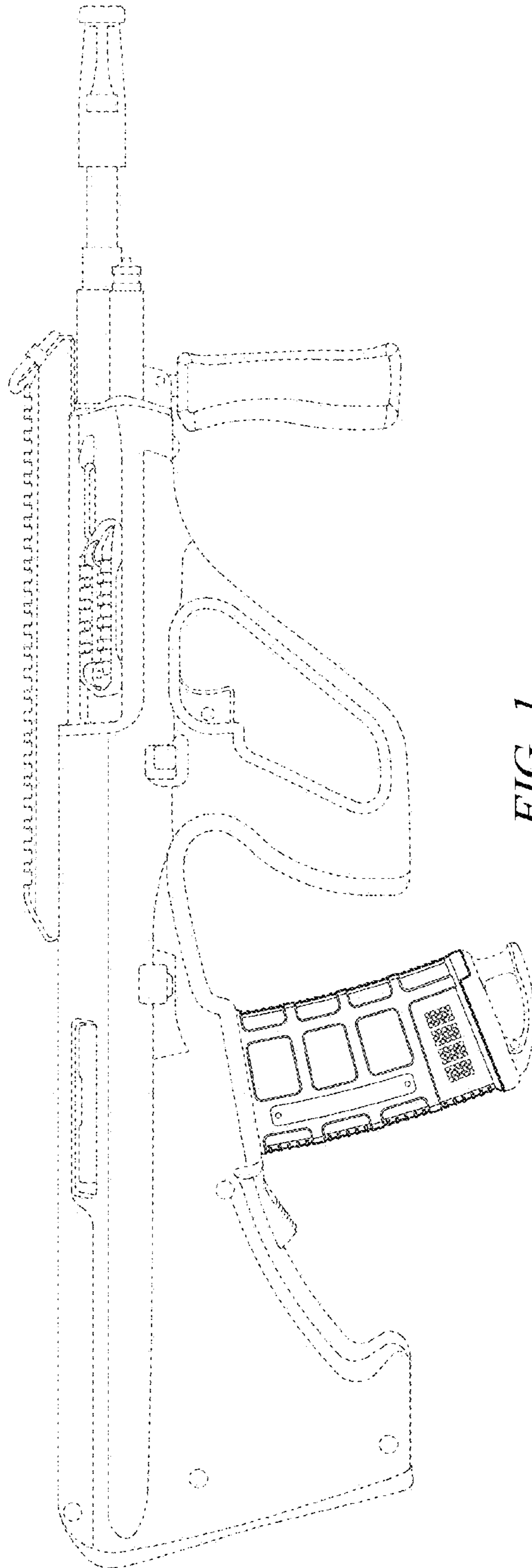
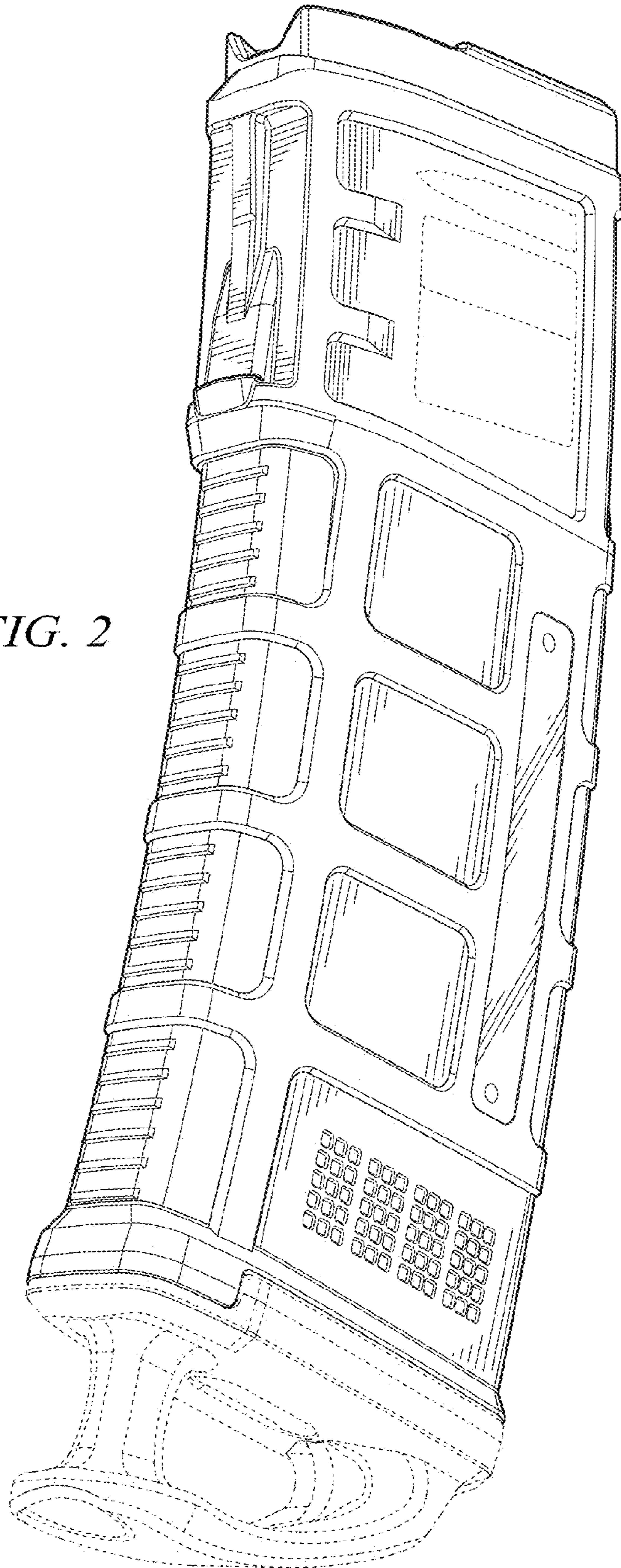
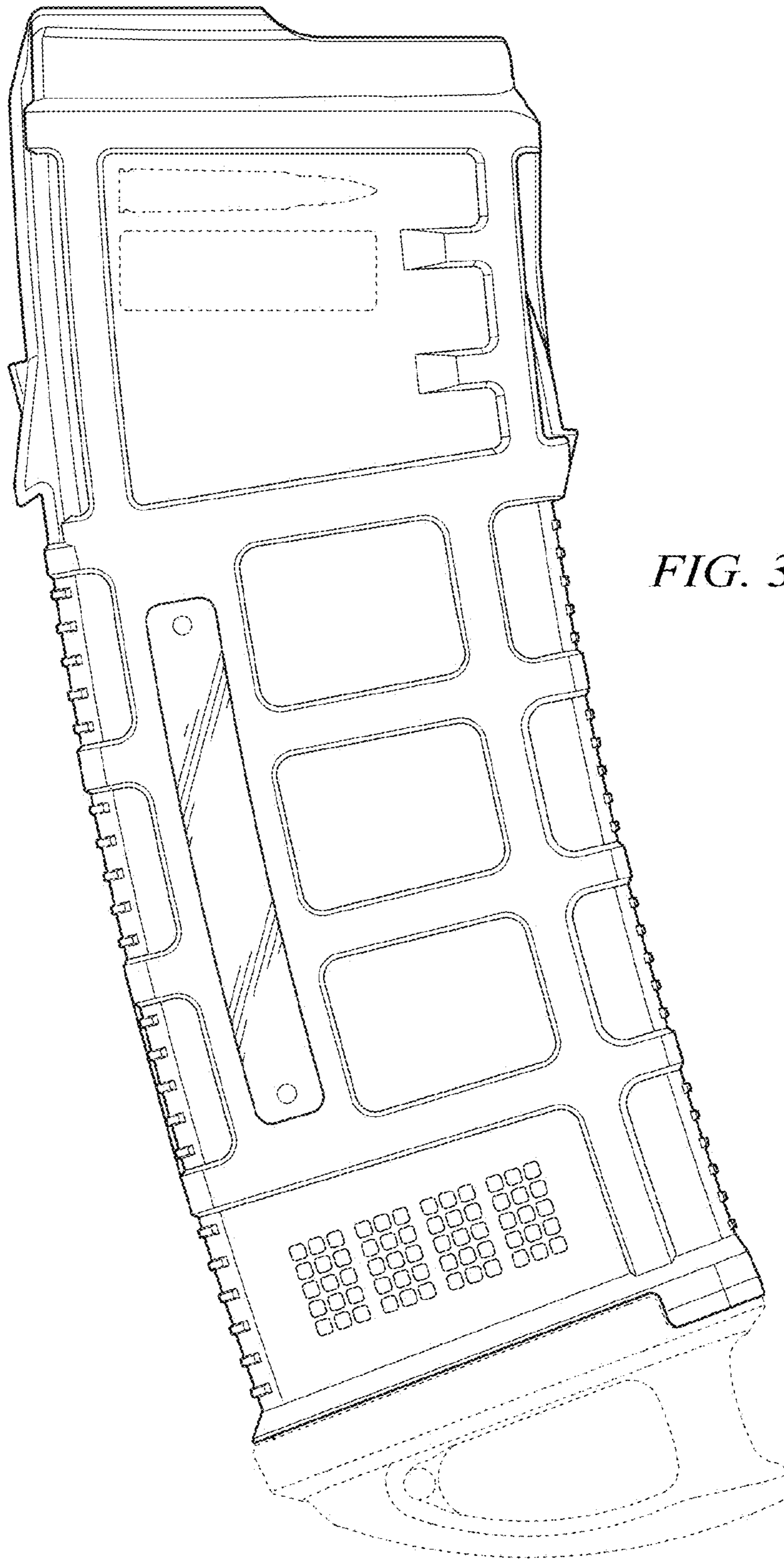


FIG. 1

*FIG. 2*





*FIG. 3*

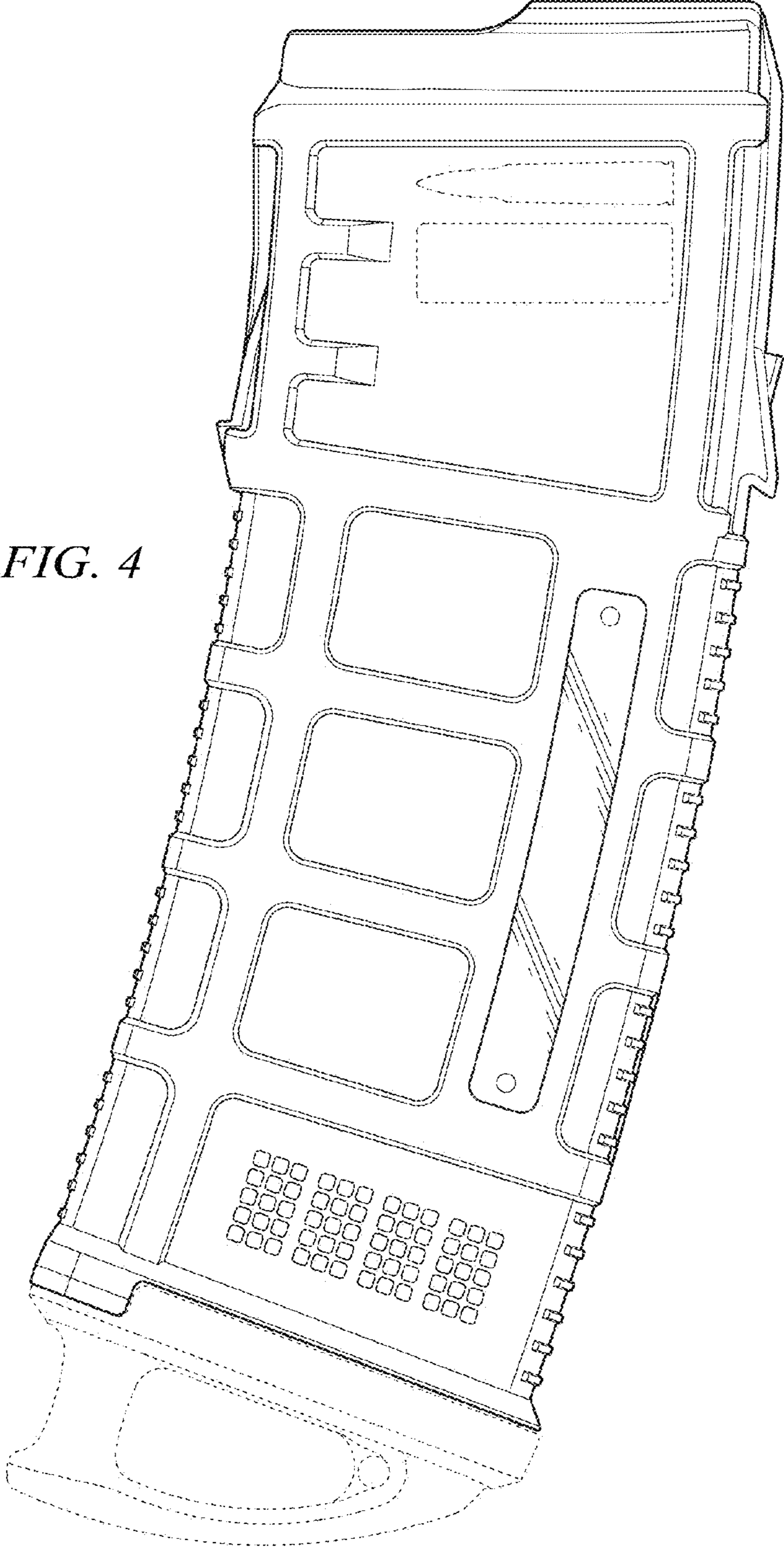
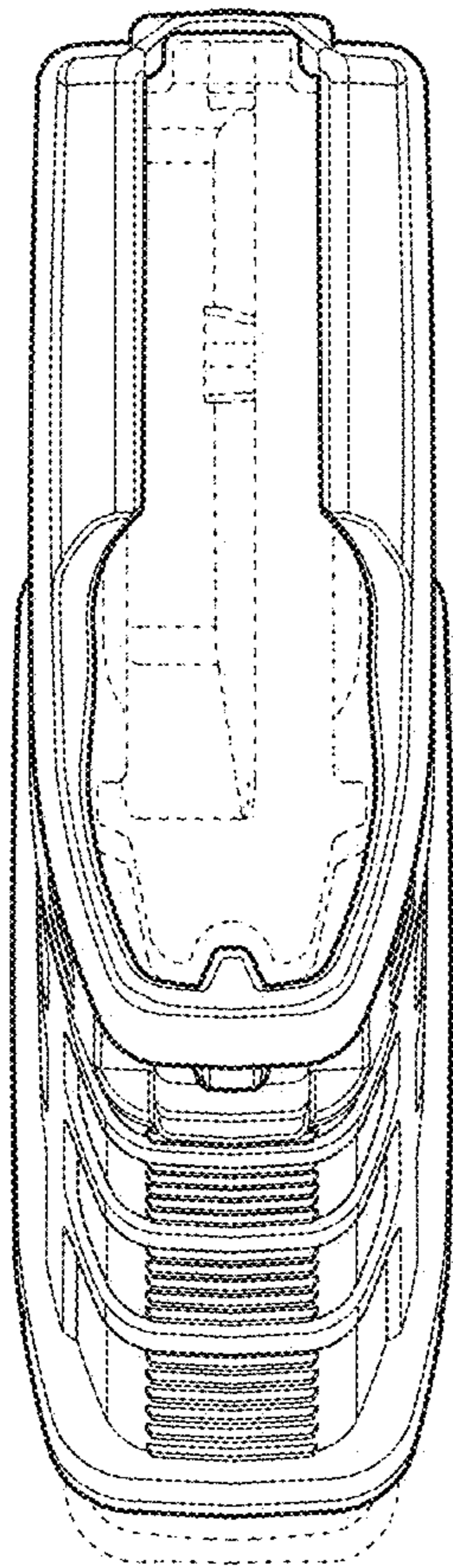
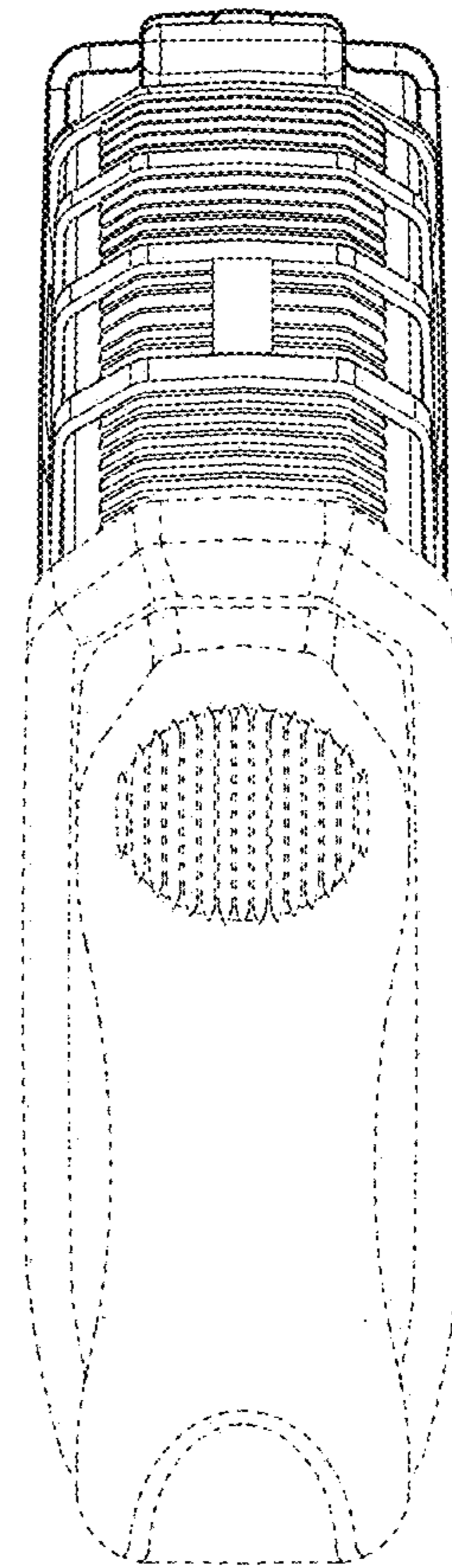


FIG. 4



*FIG. 5*



*FIG. 6*

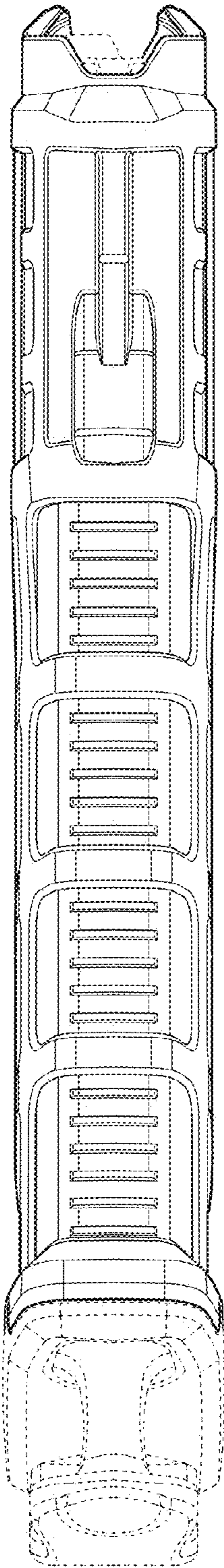


FIG. 7

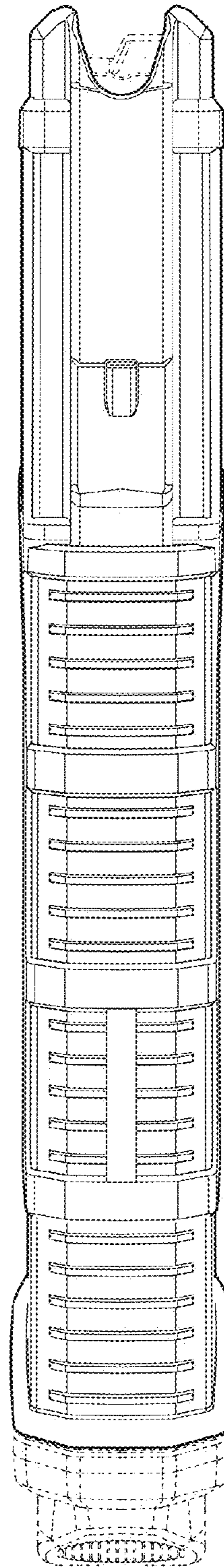


FIG. 8



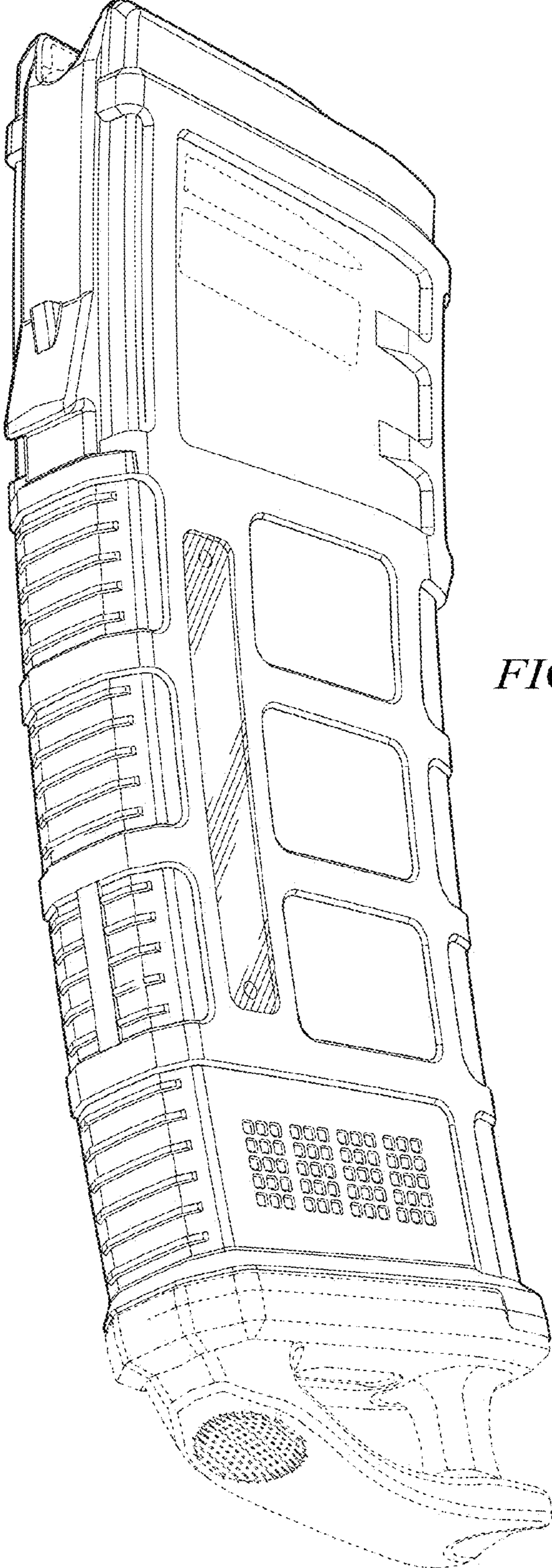


FIG. 9