



US00D736336S

(12) **United States Design Patent**  
**Mayberry et al.**

(10) **Patent No.:** **US D736,336 S**

(45) **Date of Patent:** **\*\* Aug. 11, 2015**

(54) **FIREARM STOCK**

(71) Applicant: **Magpul Industries Corporation**, Erie, CO (US)

(72) Inventors: **Michael T. Mayberry**, Denver, CO (US); **Richard Fitzpatrick**, Longmont, CO (US); **Nick Kielsmeier**, Thornton, CO (US)

(73) Assignee: **Magpul Industries Corporation**, Louisville, CO (US)

(\*\*) Term: **14 Years**

(21) Appl. No.: **29/486,193**

(22) Filed: **Mar. 27, 2014**

(51) **LOC (10) Cl.** ..... **22-01**

(52) **U.S. Cl.**  
USPC ..... **D22/108**

(58) **Field of Classification Search**  
USPC ..... D22/103, 108; D21/572, 573; 42/51, 42/90, 71.01, 71.02, 73, 75.01, 75.02; 362/160; 89/40.06, 37.04, 33.04; 33/354  
CPC ..... F41C 23/00; F41C 23/02; F41C 23/04; F41C 23/06; F41C 23/08; F41C 23/10; F41C 23/12; F41C 23/14; F41C 23/16; F41C 23/18; F41C 23/20; F41C 23/22; F41C 7/02; F41C 7/04; F41C 7/06; F41C 7/11; F41C 7/12

See application file for complete search history.

(56) **References Cited**

**U.S. PATENT DOCUMENTS**

1,032,628 A 7/1912 Sherman  
1,651,299 A 11/1927 Stansel  
3,618,249 A 11/1971 Grandy  
3,710,496 A 1/1973 Packmayr  
D241,836 S 10/1976 Ruger

4,120,108 A 10/1978 Vickers  
4,122,623 A 10/1978 Stice  
4,203,243 A 5/1980 Hickman  
4,589,219 A 5/1986 Milliman  
4,663,877 A 5/1987 Bragg

(Continued)

**OTHER PUBLICATIONS**

Command Arms Accessories Online Catalog (2008) SRS Product Information.

(Continued)

*Primary Examiner* — Michael A Pratt

(74) *Attorney, Agent, or Firm* — Swanson & Bratshun, L.L.C.

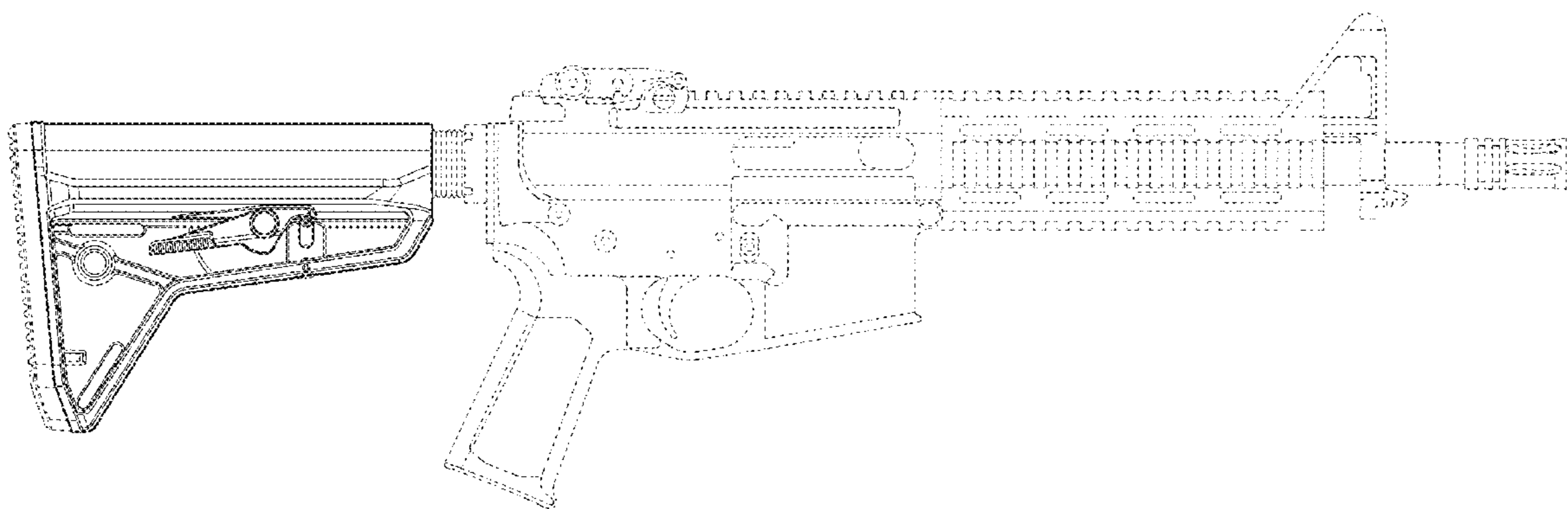
(57) **CLAIM**

The ornamental design for a firearm stock, as shown and described.

**DESCRIPTION**

FIG. 1 is a right side elevation view of a firearm stock attached to a firearm showing our new design;  
FIG. 2 is a right, front, bottom perspective view of the firearm stock of FIG. 1;  
FIG. 3 is a left, rear, bottom perspective view of the firearm stock of FIG. 1;  
FIG. 4 is a right side elevation view of the firearm stock of FIG. 1;  
FIG. 5 is a left side elevation view of the firearm stock of FIG. 1;  
FIG. 6 is a rear elevation view of the firearm stock of FIG. 1;  
FIG. 7 is a front elevation view of the firearm stock of FIG. 1;  
FIG. 8 is a top plan view of the firearm stock of FIG. 1; and  
FIG. 9 is a bottom plan view of the firearm stock of FIG. 1.  
The broken lines showing portions of the design in all figures are included for the purpose of illustrating environment and unclaimed features and forms not part of the claimed design.

**1 Claim, 7 Drawing Sheets**



(56)

**References Cited**

U.S. PATENT DOCUMENTS

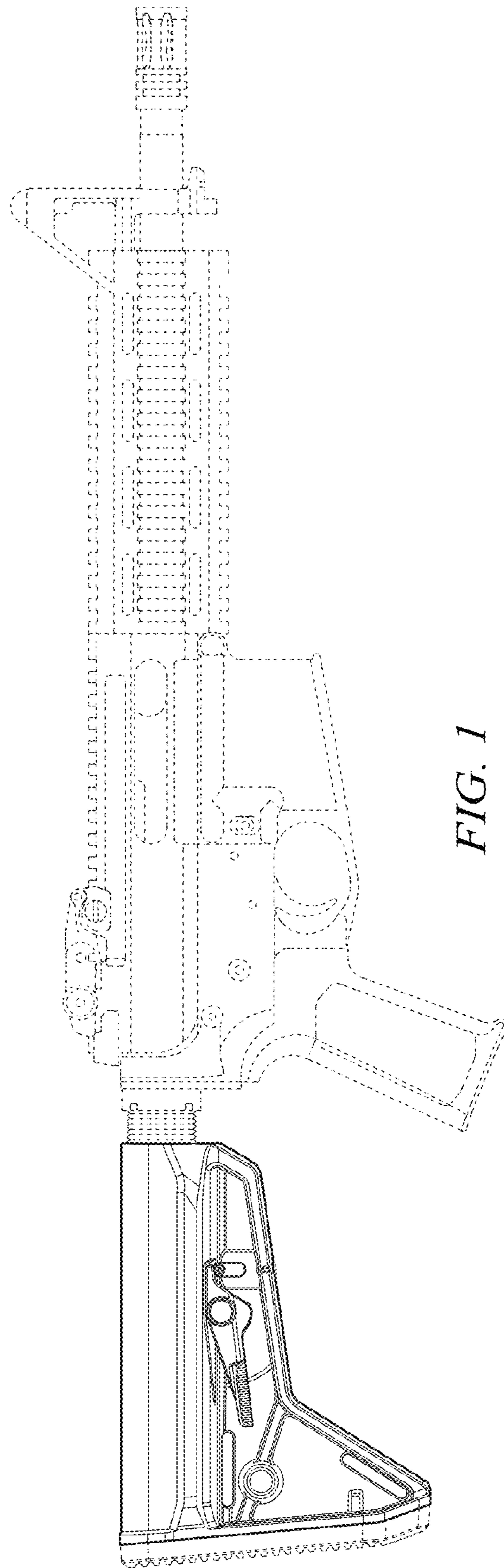
D297,855 S 9/1988 Ruger  
 4,788,785 A 12/1988 White  
 4,896,446 A 1/1990 Gregory  
 5,031,348 A 7/1991 Carey  
 5,075,995 A 12/1991 Kennel  
 D324,557 S 3/1992 Livingston  
 5,933,997 A 8/1999 Barrett  
 6,598,330 B2 7/2003 Garrett  
 6,637,141 B1 10/2003 Weatherby  
 D514,123 S 1/2006 Naruki  
 D516,660 S 3/2006 Murello  
 D516,807 S 3/2006 Richardson  
 D517,637 S 3/2006 Murello  
 7,162,823 B2 1/2007 Schoppman  
 D551,313 S 9/2007 Saur  
 D589,578 S 3/2009 Choma  
 D603,013 S 10/2009 Fitzpatrick  
 D606,614 S 12/2009 Fitzpatrick  
 D636,833 S 4/2011 Mayberry  
 D636,834 S 4/2011 Mayberry  
 D640,342 S 6/2011 Fitzpatrick  
 D645,533 S 9/2011 Peterson  
 D661,366 S 6/2012 Zusman  
 D661,768 S 6/2012 Keng  
 D668,311 S \* 10/2012 Rogers et al. .... D22/108  
 D680,611 S 4/2013 Emde  
 D683,808 S 6/2013 Elkaim

D688,768 S \* 8/2013 Fitzpatrick et al. .... D22/108  
 D691,234 S \* 10/2013 Fitzpatrick et al. .... D22/108  
 D695,377 S 12/2013 Mayberry  
 D706,879 S \* 6/2014 Chu ..... D21/573  
 8,769,853 B1 \* 7/2014 LaRue ..... 42/71.01  
 D722,357 S \* 2/2015 Keller et al. .... D22/108  
 D722,669 S \* 2/2015 Keller ..... D22/108  
 D728,057 S \* 4/2015 Daniel et al. .... D22/108  
 2007/0130817 A1 6/2007 Ballard  
 2008/0028662 A1 2/2008 Abraham  
 2008/0052979 A1 3/2008 Lee  
 2008/0168695 A1 7/2008 Nakayama  
 2008/0236016 A1 10/2008 Fitzpatrick  
 2008/0236017 A1 10/2008 Fitzpatrick  
 2009/0241397 A1 10/2009 Fitzpatrick  
 2010/0205846 A1 8/2010 Fitzpatrick  
 2010/0251590 A1 10/2010 Fitzpatrick

OTHER PUBLICATIONS

Heckler & Koch Online Catalog (2008) PSG1A1 Product Information.  
 Magpul Online Catalog (2007) FAL Preproduction Product Information.  
 Magpul Online Catalog (2007) PRS Ar15/M16 Product Information.  
 Design U.S. Appl. No. 29/399,326, filed Aug. 12, 2011, "ACS Rifle Stock" by Fitzpatrick.  
 Design U.S. Appl. No. 29/405,857, filed Nov. 7, 2011, "Stock for a Firearm" by Fitzpatrick.

\* cited by examiner



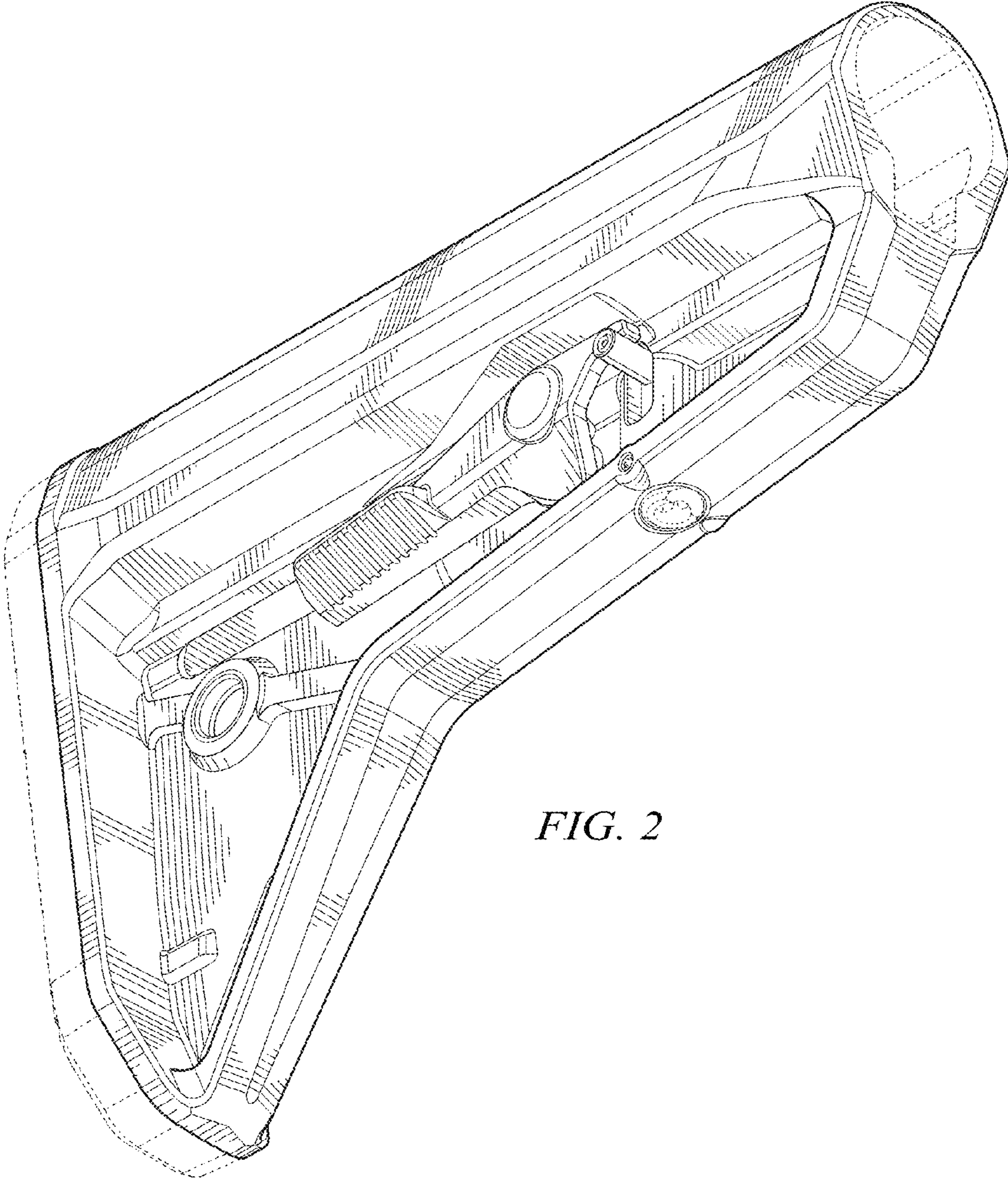


FIG. 2

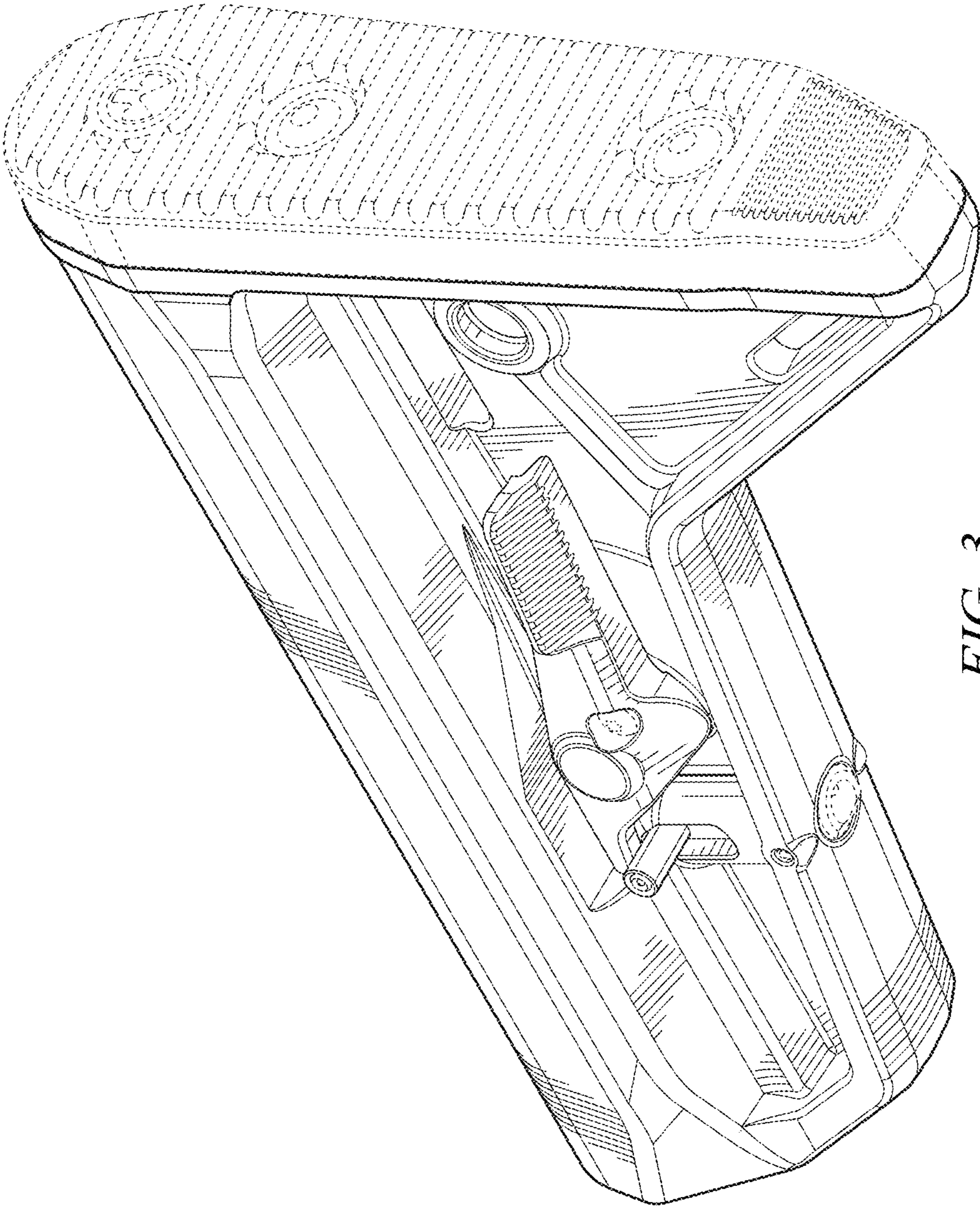
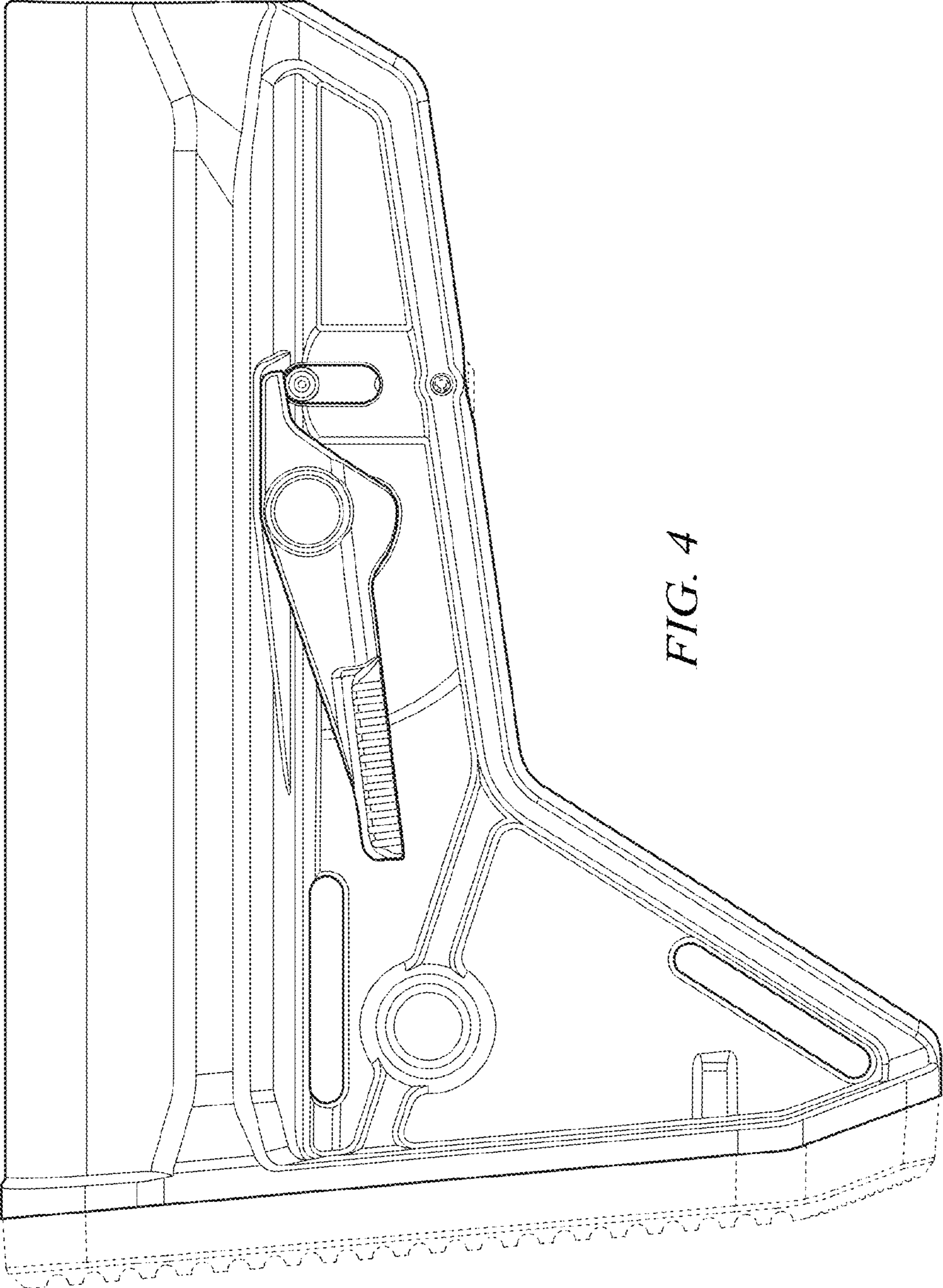


FIG. 3



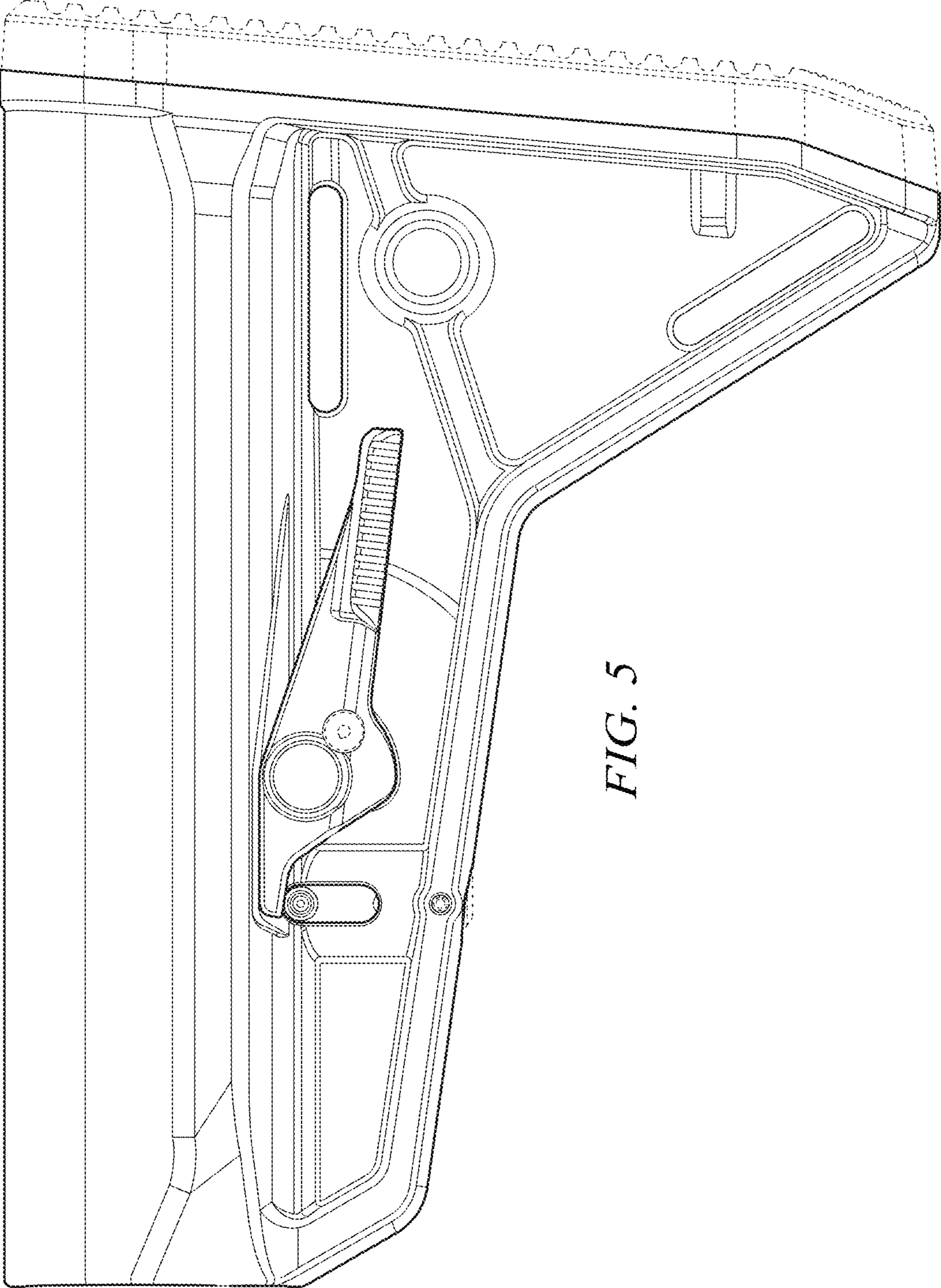


FIG. 5

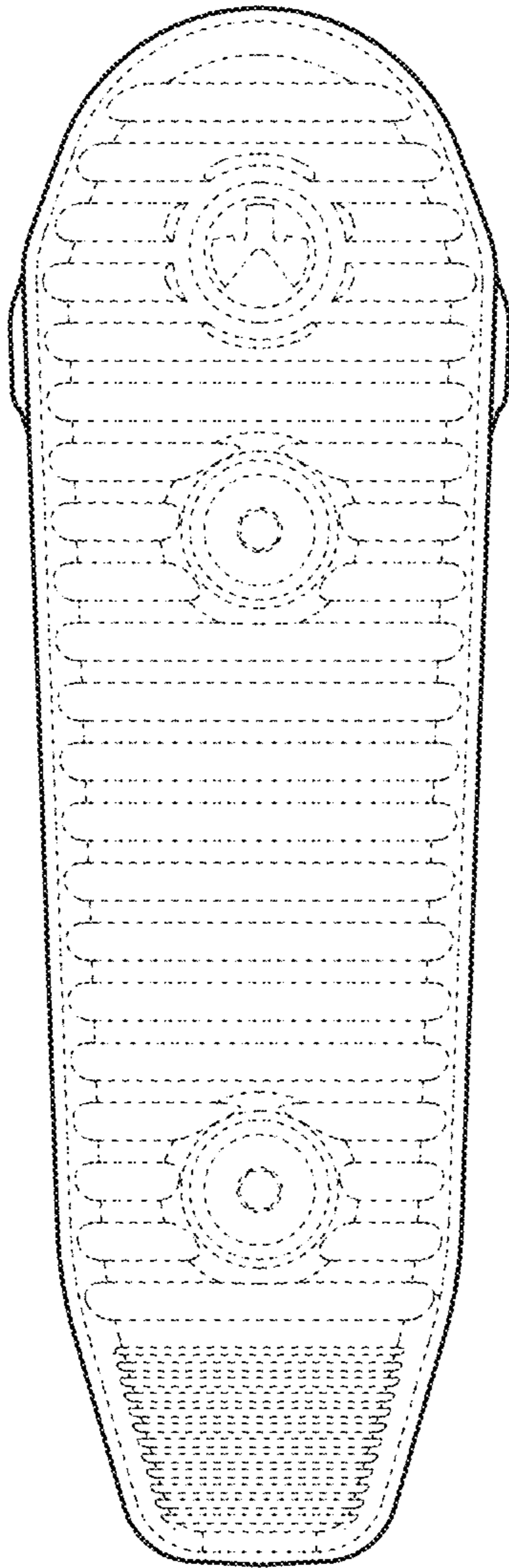


FIG. 6

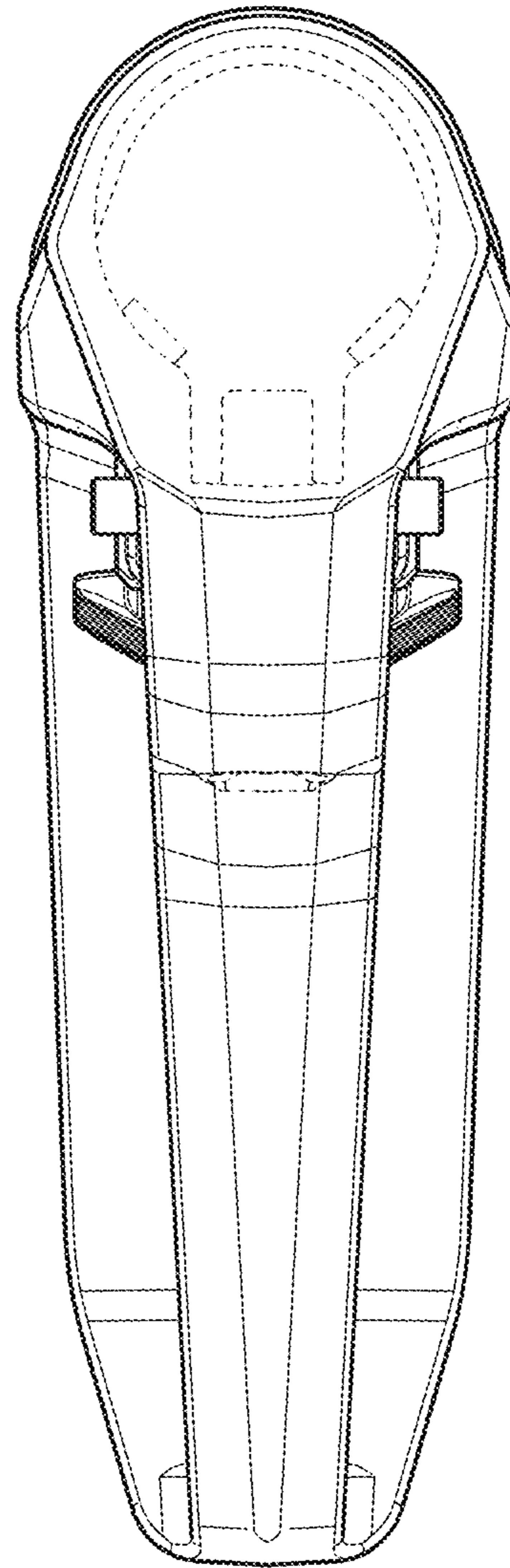


FIG. 7



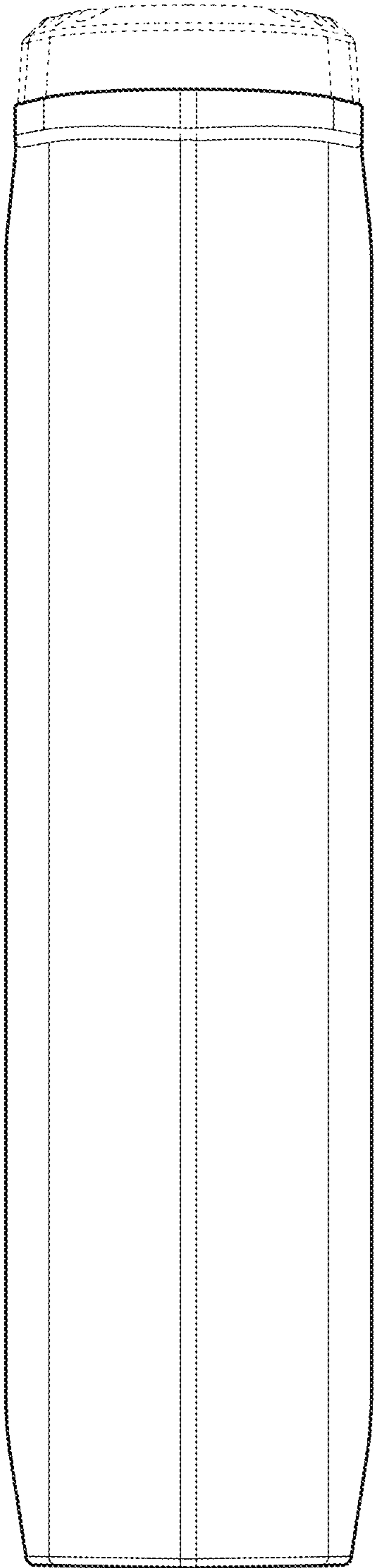


FIG. 8

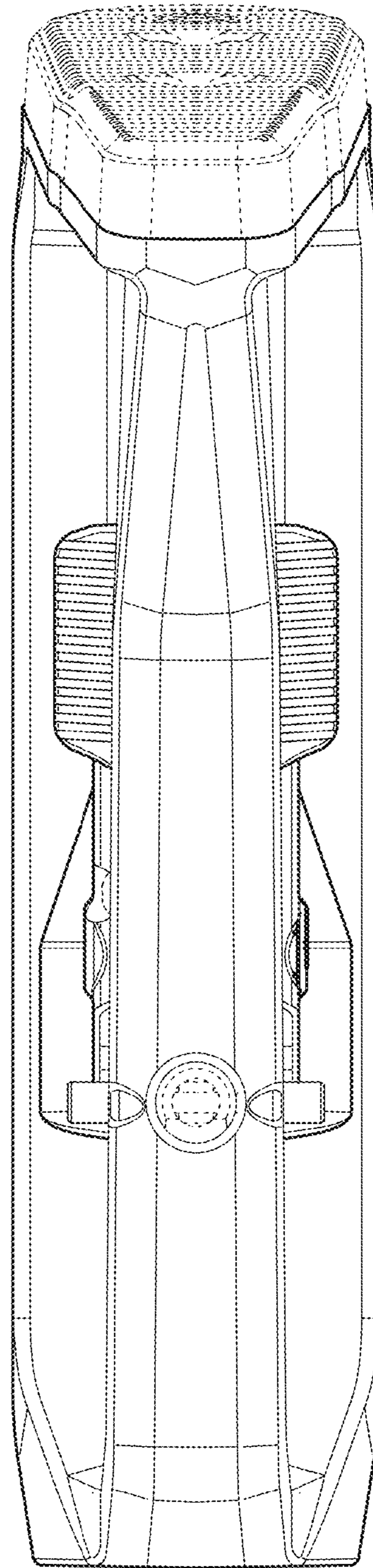


FIG. 9