



US00D736334S

(12) **United States Design Patent**
Perry

(10) **Patent No.:** **US D736,334 S**

(45) **Date of Patent:** **** Aug. 11, 2015**

(54) **GOLF DIVOT REPAIR TOOL**

(71) Applicant: **Thomas Wayne Perry**, Indianapolis, IN
(US)

(72) Inventor: **Thomas Wayne Perry**, Indianapolis, IN
(US)

(**) Term: **14 Years**

(21) Appl. No.: **29/500,637**

(22) Filed: **Aug. 27, 2014**

(51) **LOC (10) Cl.** **21-02**

(52) **U.S. Cl.**
USPC **D21/793**

(58) **Field of Classification Search**
USPC D21/789, 793-796
CPC A63B 45/02; A63B 57/0068; A63B
57/0075; A63B 69/3617
See application file for complete search history.

(56) **References Cited**

U.S. PATENT DOCUMENTS

D190,333 S * 5/1961 Gunderson D21/795
D272,461 S * 1/1984 Burns D21/793

D422,664 S * 4/2000 Tate D21/793
6,216,587 B1 * 4/2001 Foley 101/35
D452,544 S * 12/2001 Bato D21/793
D558,291 S * 12/2007 Burnett D21/789
D605,720 S * 12/2009 McLane D21/793
7,654,920 B2 * 2/2010 Perry 473/408
D666,265 S * 8/2012 Solheim et al. D21/793

* cited by examiner

Primary Examiner — Mitchell Siegel

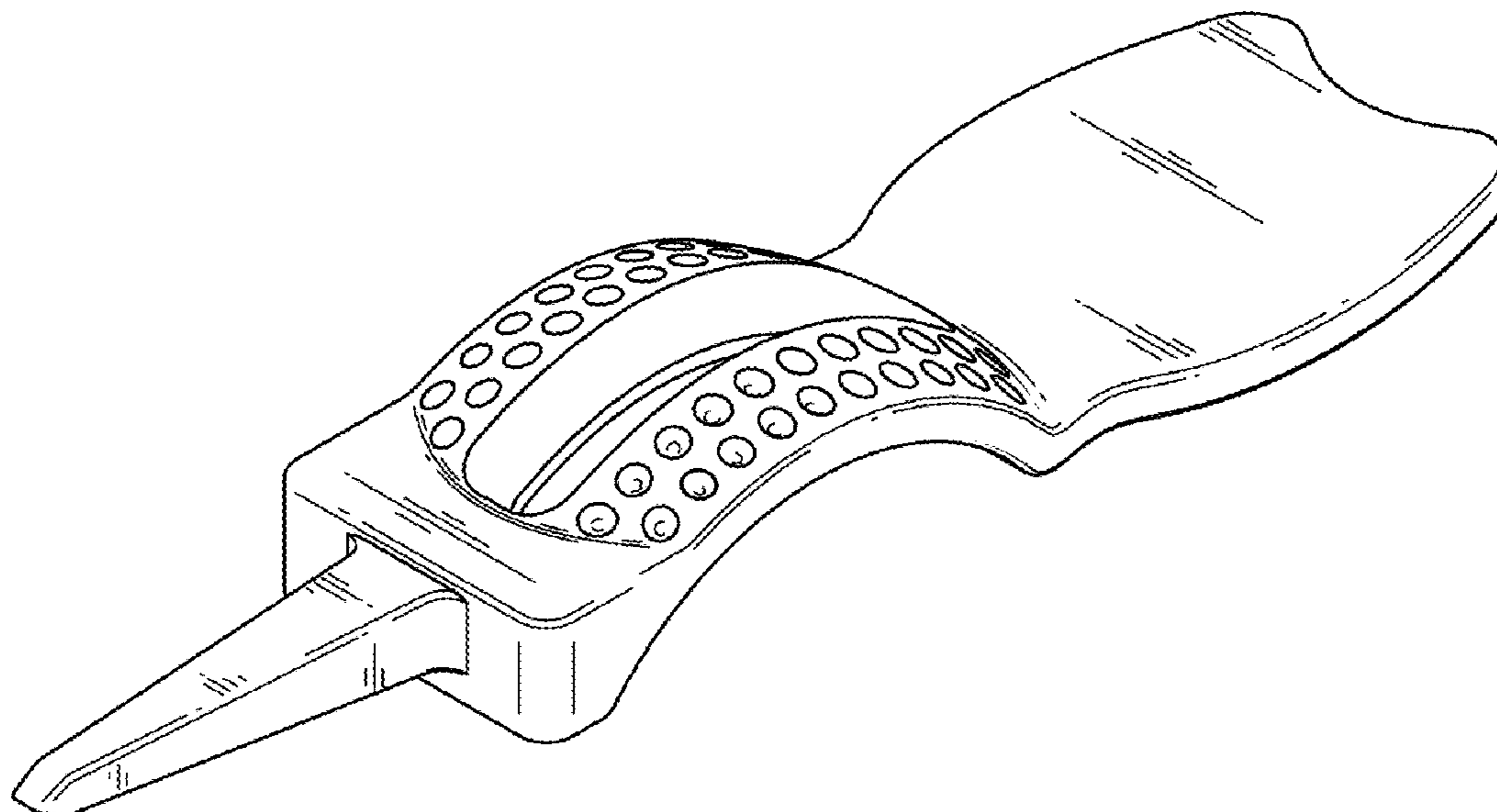
(57) **CLAIM**

The ornamental design for a golf divot repair tool, as shown and described.

DESCRIPTION

FIG. 1 is a perspective front view of a golf divot repair tool; FIG. 2 is a front elevation view of the golf divot repair tool; FIG. 3 is a rear elevation view of the golf divot repair tool; FIG. 4 is a left elevation view of the golf divot repair tool; the right elevation view being a mirror image thereof; FIG. 5 is a top elevation view of the golf divot repair tool; and, FIG. 6 is a bottom elevation view of the golf divot repair tool.

1 Claim, 2 Drawing Sheets



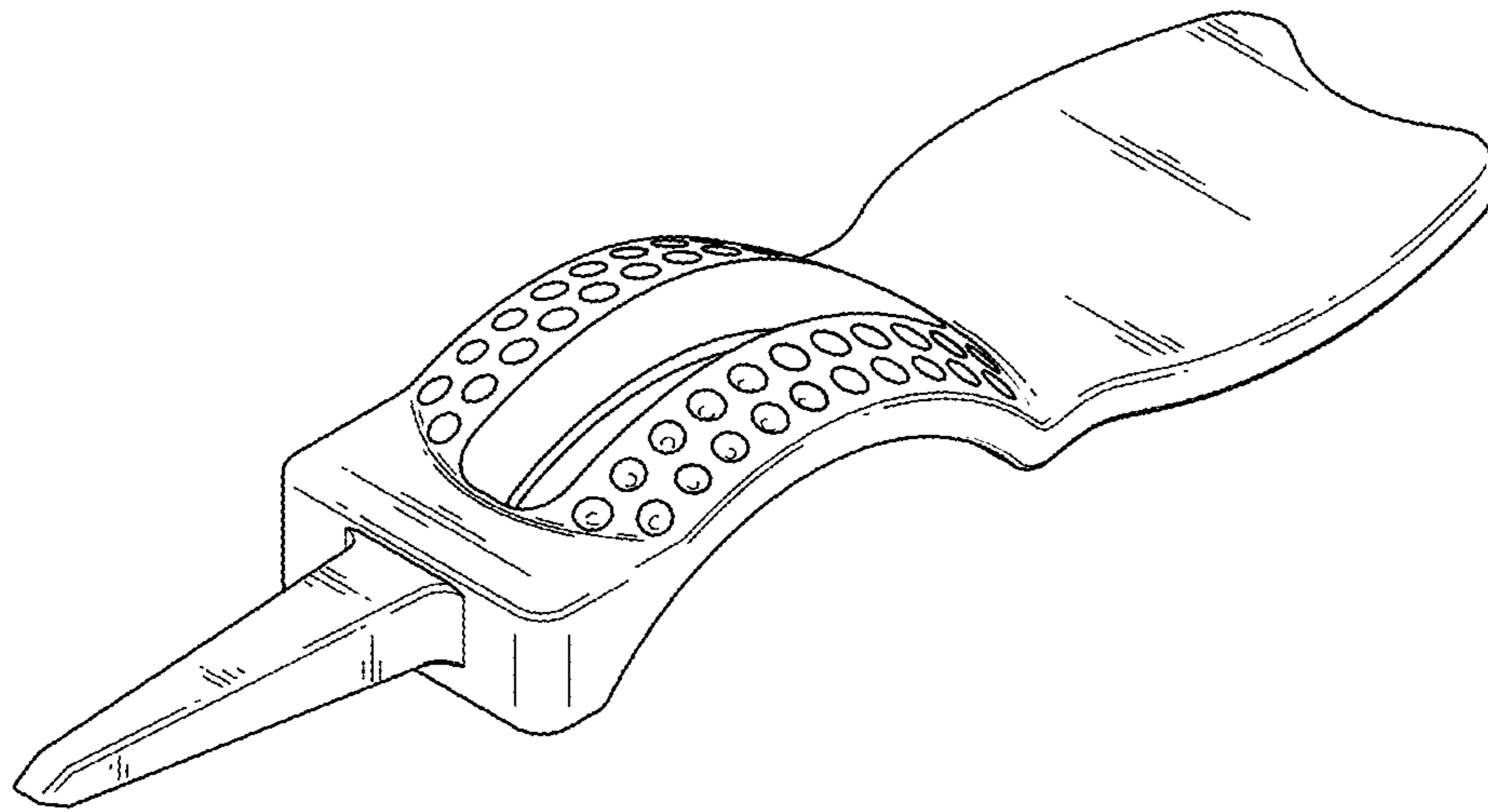


FIG. 1

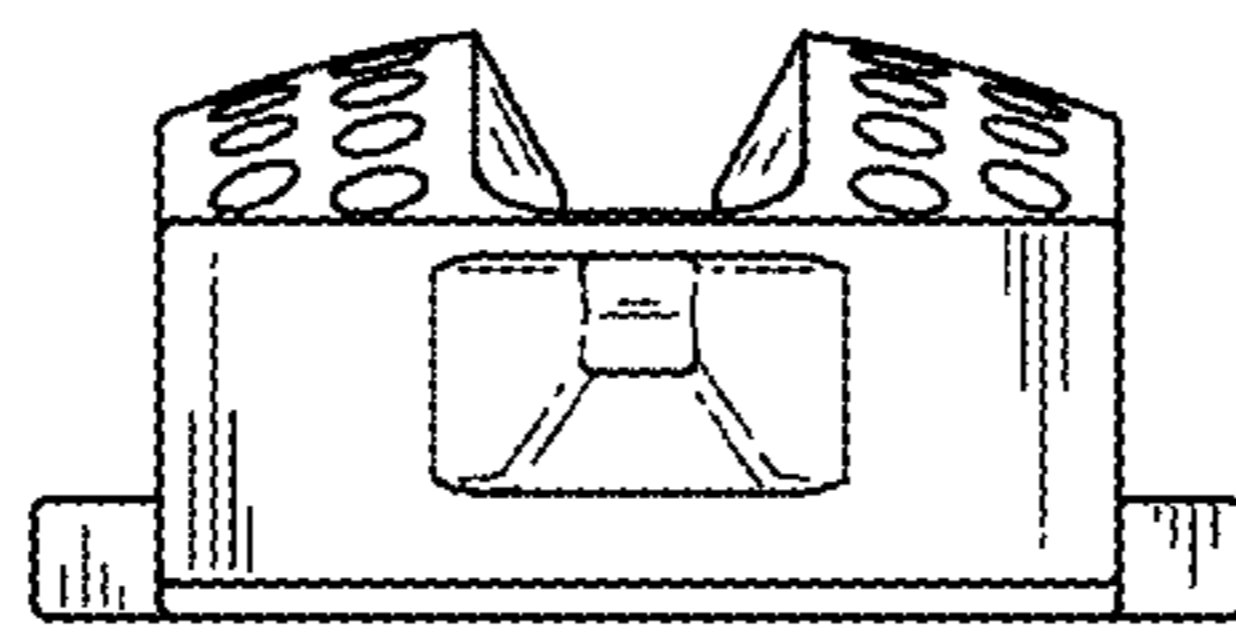


FIG. 2

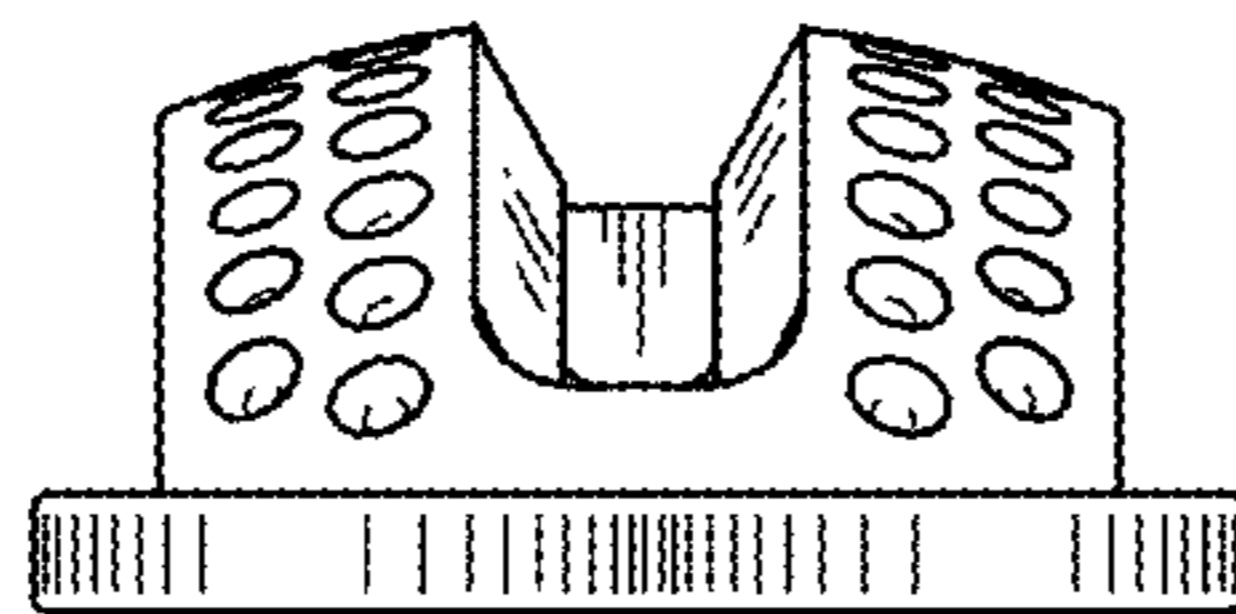


FIG. 3

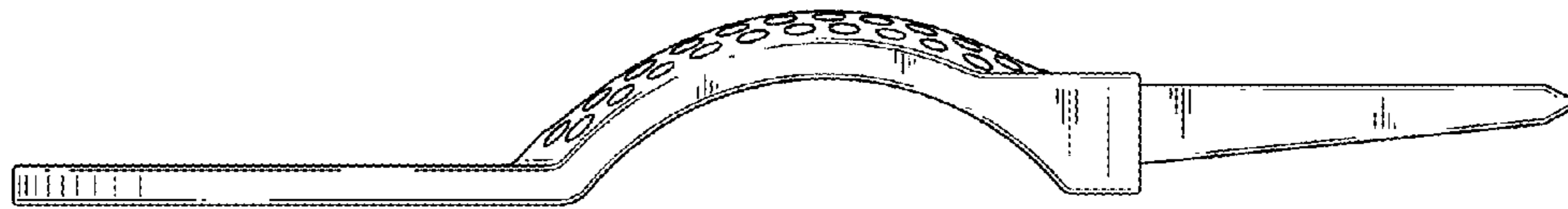


FIG. 4

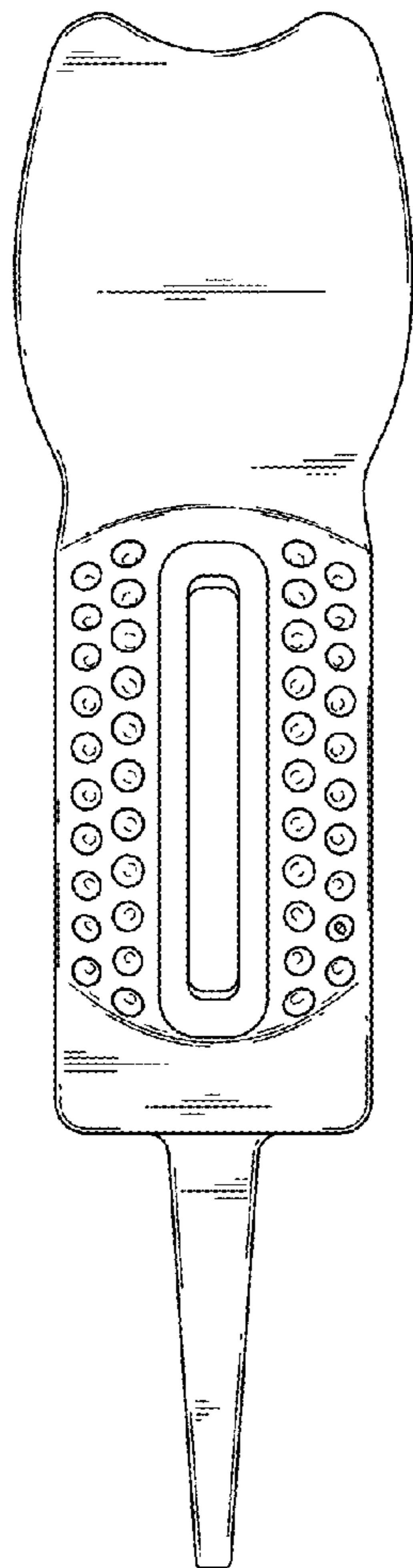


FIG. 5

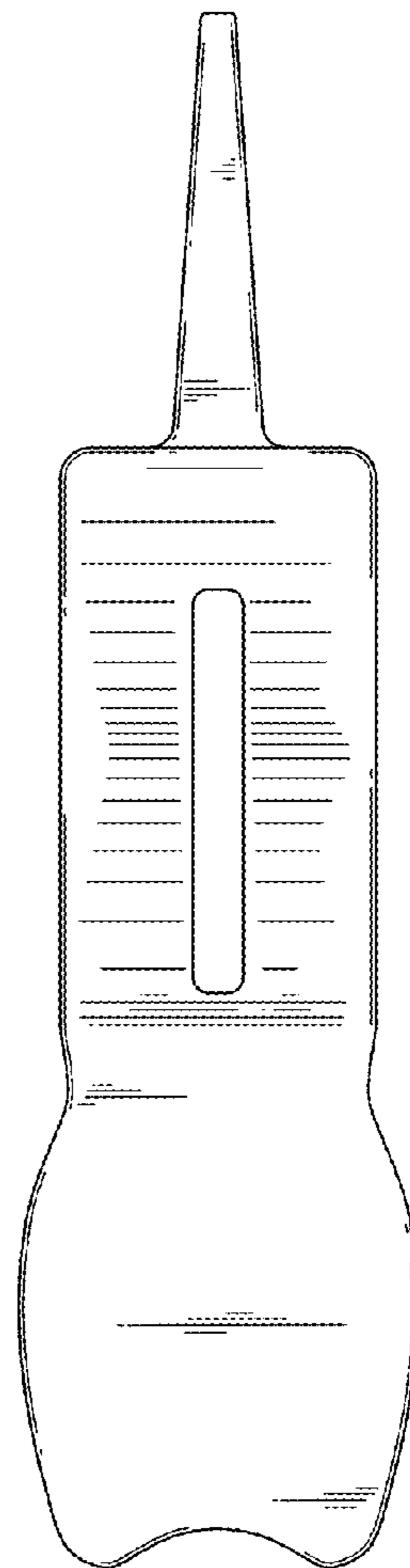


FIG. 6