



US00D736333S

(12) **United States Design Patent**
Schumaier

(10) **Patent No.:** **US D736,333 S**

(45) **Date of Patent:** **** Aug. 11, 2015**

- (54) **GOLF TEE INSERTION DEPTH MEASUREMENT TOOL**
- (71) Applicant: **TeeCorrect, LLC**, Johnson City, TN (US)
- (72) Inventor: **Daniel R. Schumaier**, Elizabethton, TN (US)
- (73) Assignee: **TeeCorrect, LLC**, Johnson City, TN (US)
- (**) Term: **14 Years**
- (21) Appl. No.: **29/495,701**
- (22) Filed: **Jul. 3, 2014**
- (51) **LOC (10) Cl.** **21-02**
- (52) **U.S. Cl.**
USPC **D21/793**
- (58) **Field of Classification Search**
USPC D21/717, 718, 789, 791, 793; D10/64
CPC A63B 57/0018; A63B 2057/0025;
A63B 57/0031; A63B 57/0037
See application file for complete search history.

7,037,218	B2	5/2006	Lubosco et al.	
7,044,866	B1 *	5/2006	Blauvelt	473/386
7,223,184	B2	5/2007	Suwito	
7,717,811	B1	5/2010	Merullo	
7,841,096	B1 *	11/2010	Jenkins	33/485
7,850,550	B2 *	12/2010	Nania et al.	473/408
D653,721	S	2/2012	Jenkins	
D676,918	S *	2/2013	Jenkins	D21/789
2004/0152542	A1	8/2004	Blum et al.	
2005/0070379	A1	3/2005	Gilmour	

(Continued)

OTHER PUBLICATIONS

Design Improvised Father's Day Craft, published on <http://www.designimprovised.com>, Jun. 12, 2013.

(Continued)

Primary Examiner — Mitchell Siegel

(74) *Attorney, Agent, or Firm* — Luedeka Neely Group, P.C.

(57) **CLAIM**

The ornamental design of a golf tee insertion depth measurement tool, as shown and described.

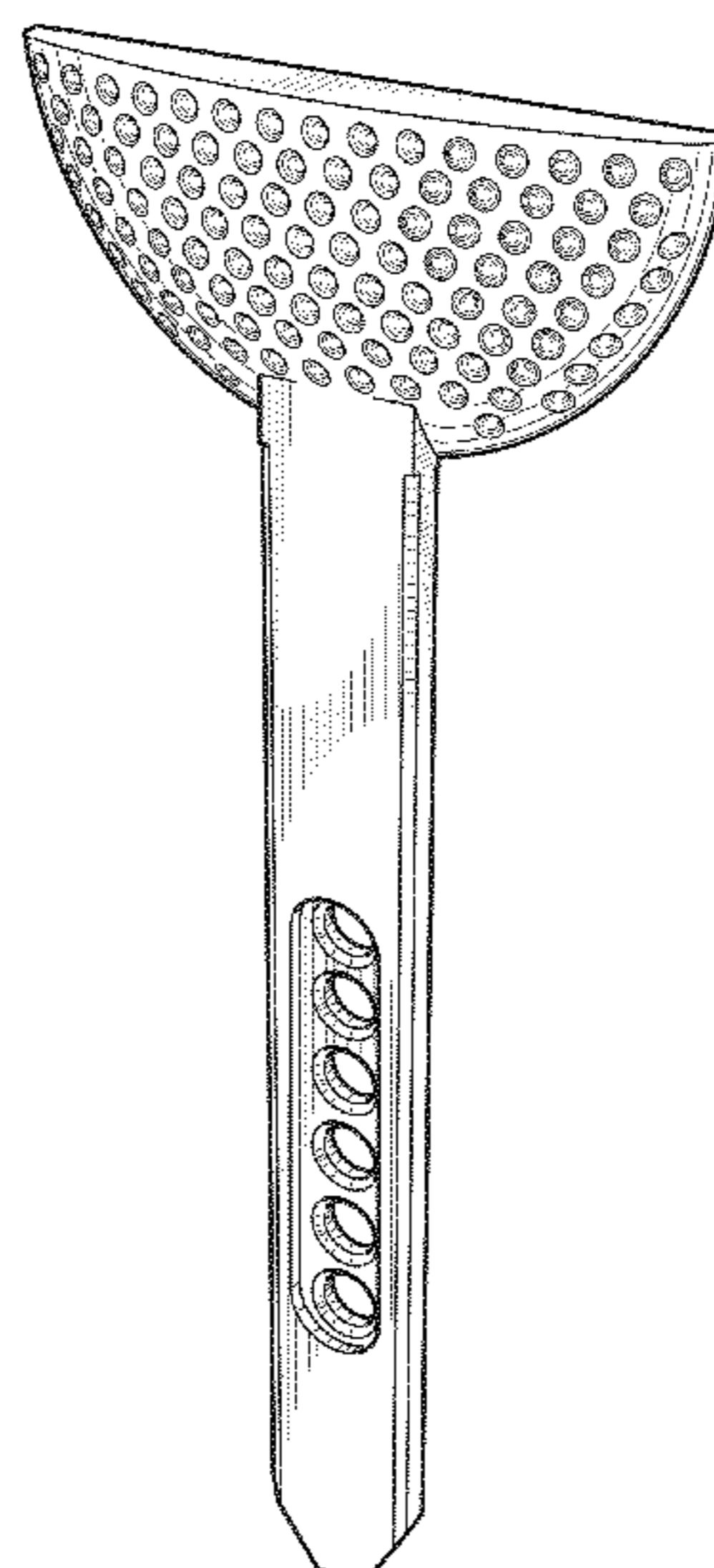
DESCRIPTION

FIG. 1 is a front perspective view of the golf tee insertion depth measurement tool;
 FIG. 2 is a rear perspective view of the golf tee insertion depth measurement tool;
 FIG. 3 is a front view of the golf tee insertion depth measurement tool;
 FIG. 4 is a side view of the golf tee insertion depth measurement tool;
 FIG. 5 is a rear view of the golf tee insertion depth measurement tool;
 FIG. 6 is a top plan view of the golf tee insertion depth measurement tool; and,
 FIG. 7 is a bottom plan view of the golf tee insertion depth measurement tool.

1 Claim, 3 Drawing Sheets

(56) **References Cited**
U.S. PATENT DOCUMENTS

3,480,371	A	11/1969	Lee	
3,658,331	A *	4/1972	Driscoll	473/386
3,858,878	A	1/1975	Tassone	
4,063,731	A *	12/1977	Kitay	473/286
4,982,510	A *	1/1991	Musillo	33/833
D314,922	S *	2/1991	Musillo	D10/64
5,242,161	A	9/1993	Wilkirson	
D344,779	S *	3/1994	Axne	D21/793
5,356,146	A	10/1994	Blosser	
5,728,012	A	3/1998	Boelling	
5,735,758	A *	4/1998	Miketinac	473/386
6,482,111	B1	11/2002	Jofferion	
D468,385	S *	1/2003	Fleischmann	D21/793
D473,279	S *	4/2003	Fleischmann	D21/793
6,932,722	B2	8/2005	Wood	



(56)

References Cited

U.S. PATENT DOCUMENTS

2005/0233838 A1 10/2005 Kahl
2007/0266584 A1 11/2007 Munson
2014/0031146 A1 1/2014 Kelley

OTHER PUBLICATIONS

The Exact Tee™ found on <http://www.exact-tee.us.com>, published as early as 2012.

Smart-Tee adjustable golf tees and custom golf tees found on <http://www.smartgolftee.com>, published as early as 2013.

Pride professional tee system found on <http://www.golftees.com>, published as early as 2007.

Tee height setters, golf forum found on <http://www.thesandtrap.com>, as early as May 9, 2012.

* cited by examiner

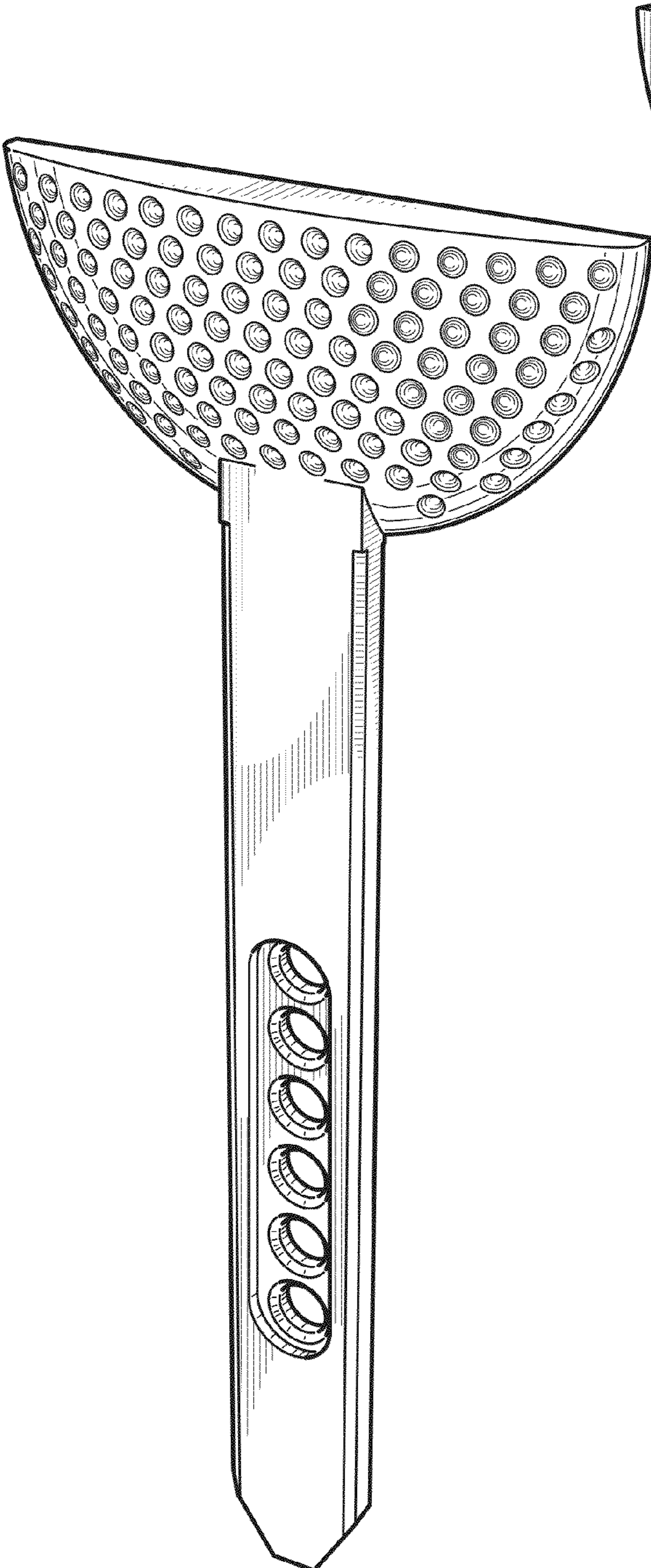


FIG. 1

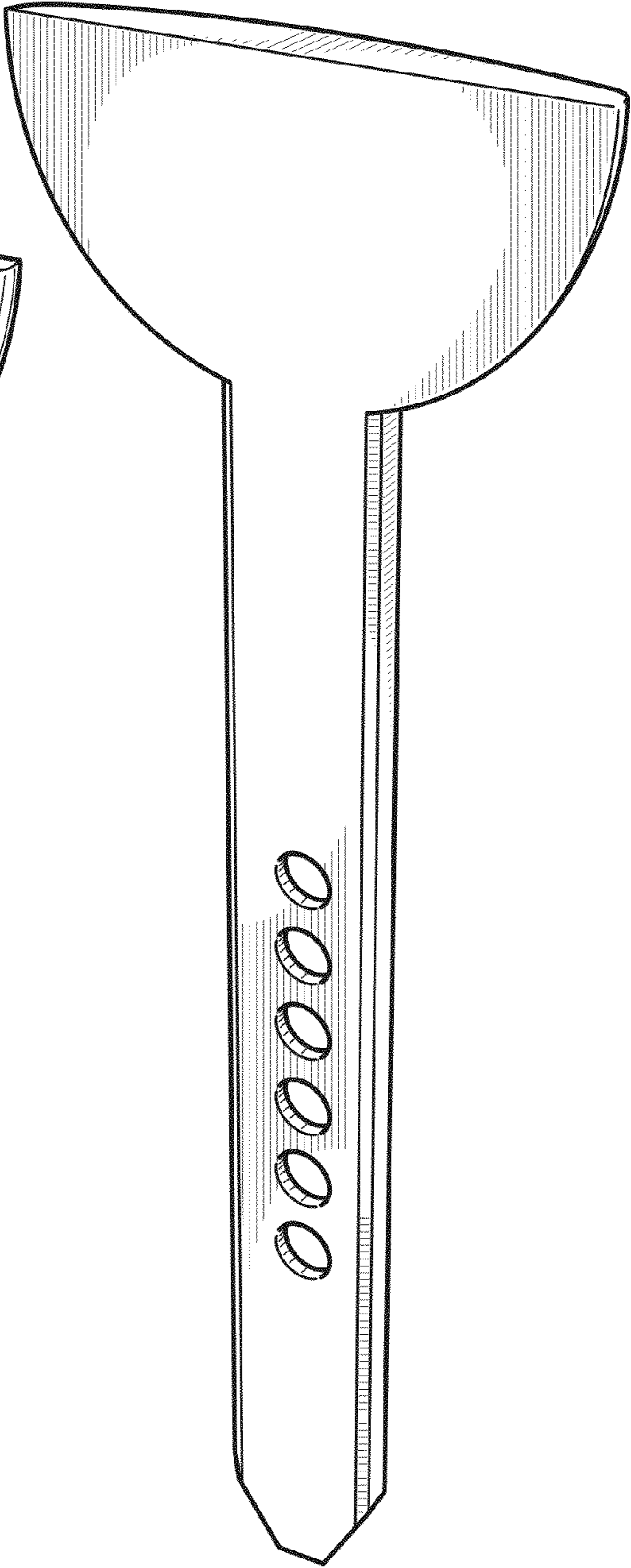


FIG. 2

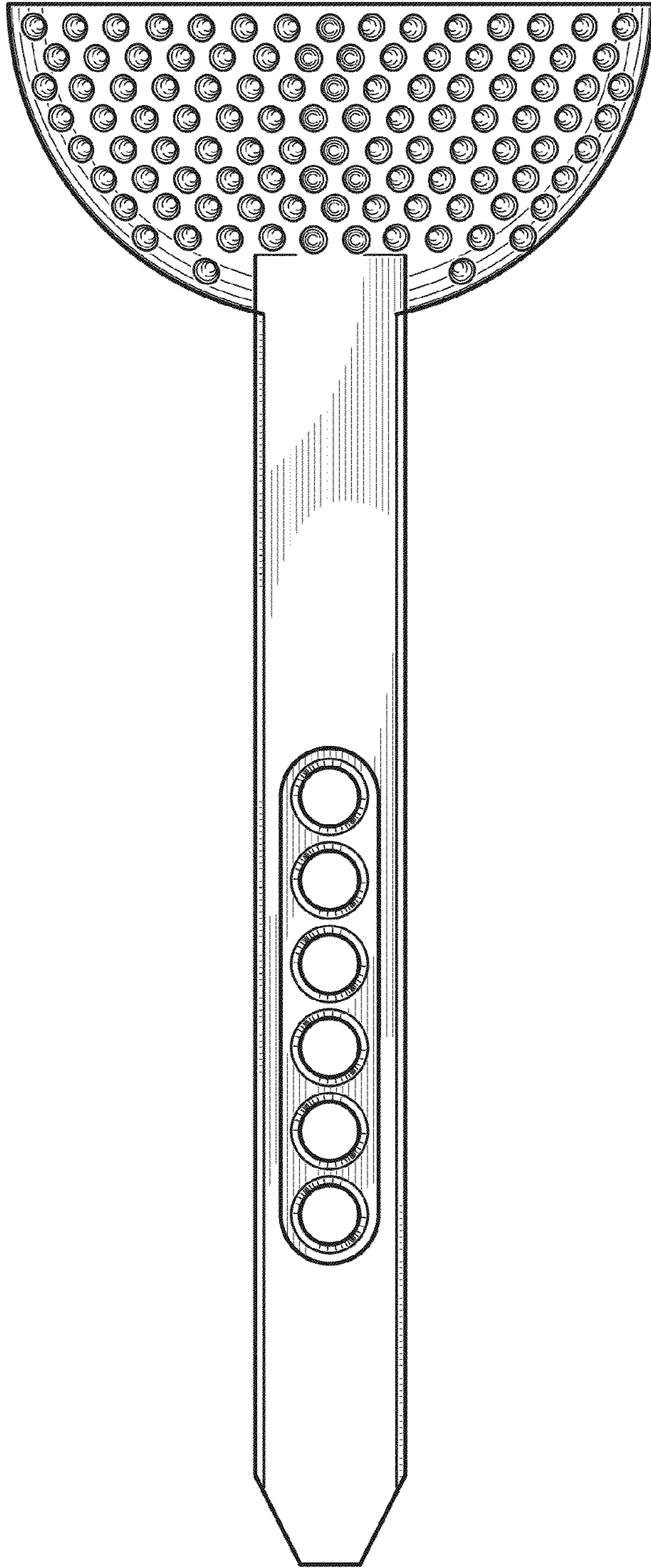


FIG. 3



FIG. 4

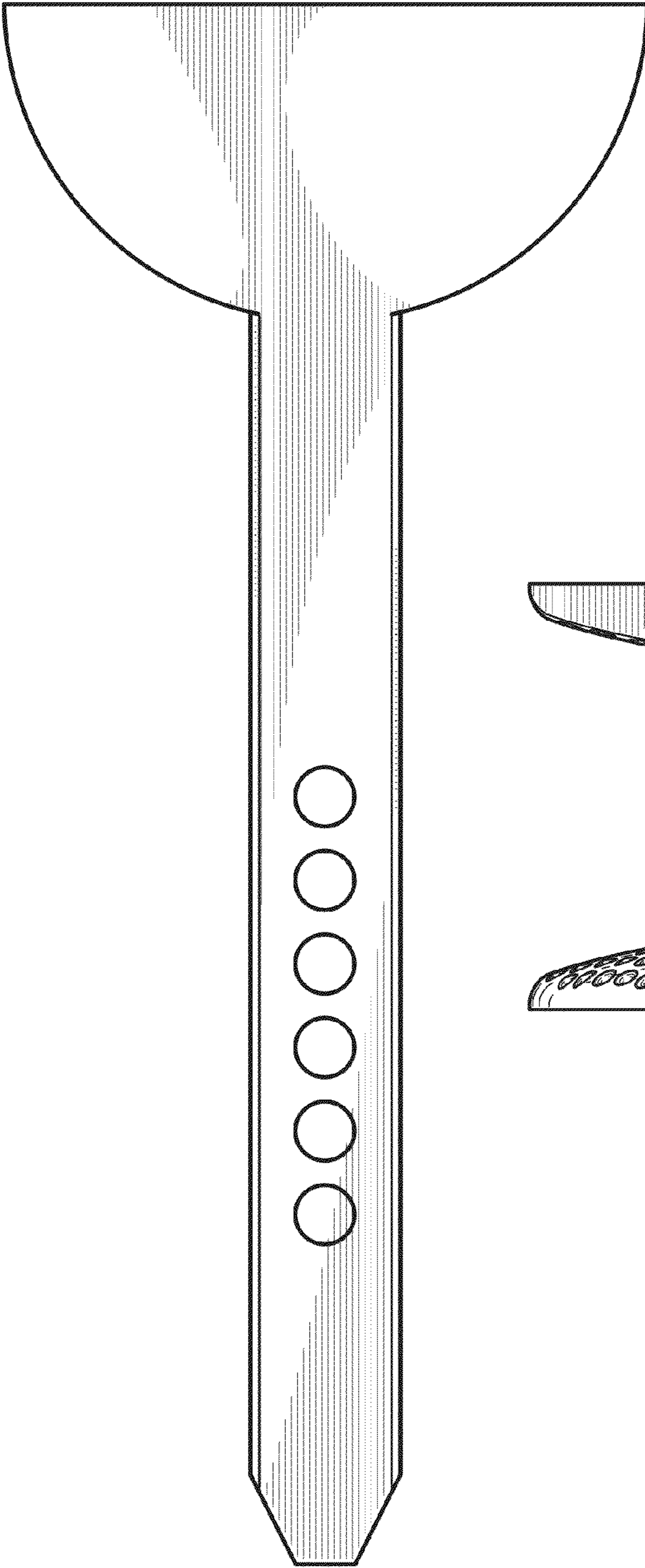


FIG. 5



FIG. 6

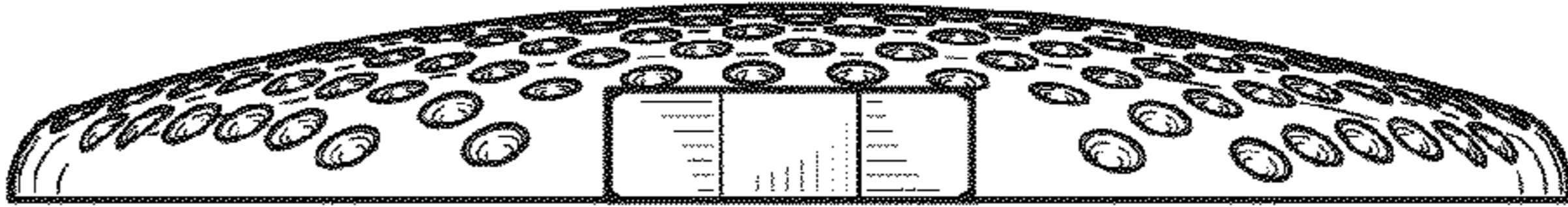


FIG. 7