



US00D736332S

(12) **United States Design Patent**  
**Daniel**

(10) **Patent No.:** **US D736,332 S**

(45) **Date of Patent:** **\*\* Aug. 11, 2015**

(54) **GOLF PUTTING TRAINING APPARATUS**

(71) Applicant: **DOC Sports, Inc.**, Mobile, AL (US)

(72) Inventor: **Albert Scott Daniel**, Mobile, AL (US)

(73) Assignee: **DOC Sports, Inc.**, Mobile, AL (US)

(\*\*) Term: **14 Years**

(21) Appl. No.: **29/499,852**

(22) Filed: **Aug. 19, 2014**

(51) **LOC (10) Cl.** ..... **21-02**

(52) **U.S. Cl.**  
USPC ..... **D21/791; D21/756**

(58) **Field of Classification Search**  
USPC ..... D21/756-758, 789, 791  
CPC ..... A63B 53/14; A63B 59/0014; A63B  
69/3632; A63B 59/004  
See application file for complete search history.

(56) **References Cited**

**U.S. PATENT DOCUMENTS**

760,161	A *	5/1904	Smith	473/294
1,919,221	A *	7/1933	Janes	473/294
4,754,978	A *	7/1988	Dworacek	473/204
4,819,944	A *	4/1989	Doane	473/256
5,037,103	A *	8/1991	Williams et al.	473/294

5,106,095	A *	4/1992	Pitkethly	473/201
5,388,834	A *	2/1995	Dawson	473/211
D356,135	S *	3/1995	Slusher	D21/759
D407,455	S *	3/1999	Dolce	D21/756
6,071,199	A *	6/2000	Suzuki	473/294
6,491,591	B1 *	12/2002	Schuster	473/212
D557,760	S *	12/2007	Higgins	D21/791
D579,068	S *	10/2008	Souders et al.	D21/753
7,658,683	B1 *	2/2010	Daniel	473/294

\* cited by examiner

*Primary Examiner* — Mitchell Siegel

(74) *Attorney, Agent, or Firm* — Adams IP, LLC; J. Hunter Adams

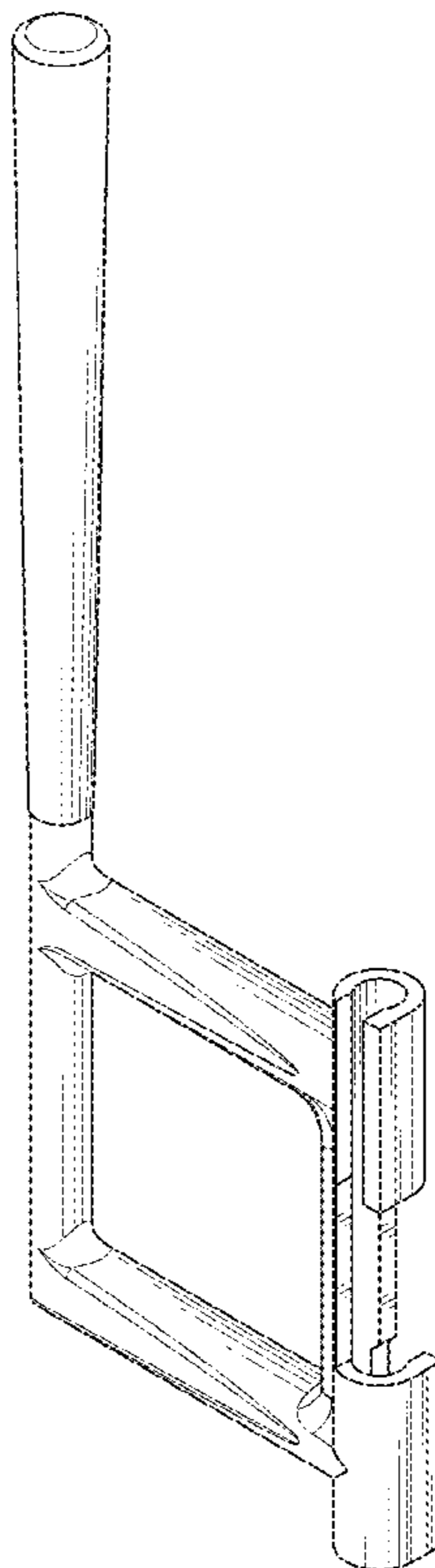
(57) **CLAIM**

The ornamental design for a golf putting training apparatus, as shown.

**DESCRIPTION**

FIG. 1 is a front perspective view of a golf putting training apparatus incorporating my new design; FIG. 2 is a back side view of a golf putting training apparatus incorporating my new design; FIG. 3 is a front side view of a golf putting training apparatus incorporating my new design; FIG. 4 is a top side view of a golf putting training apparatus incorporating my new design; and, FIG. 5 is a bottom side view of a golf putting training apparatus incorporating my new design.

**1 Claim, 4 Drawing Sheets**



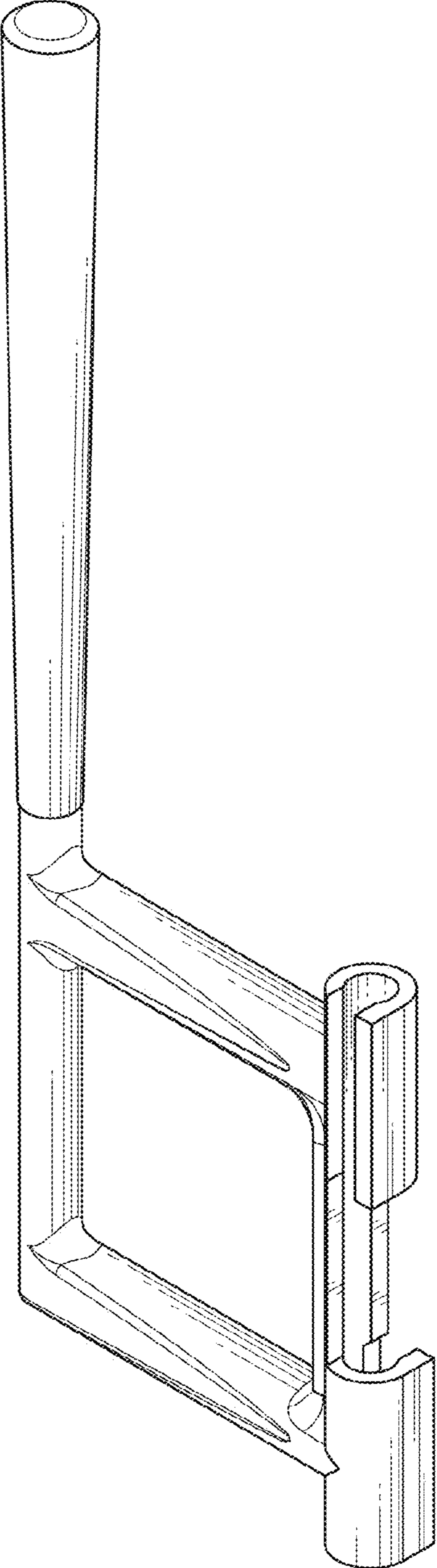


FIG. 1

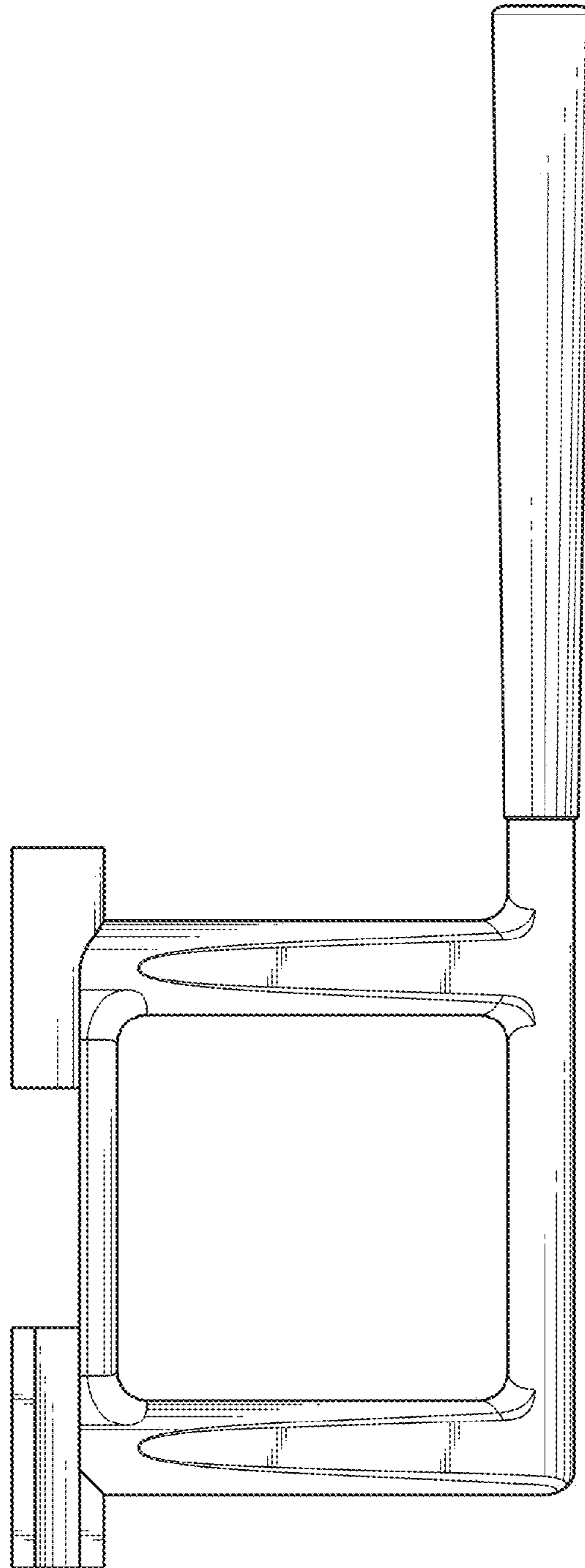


FIG. 2

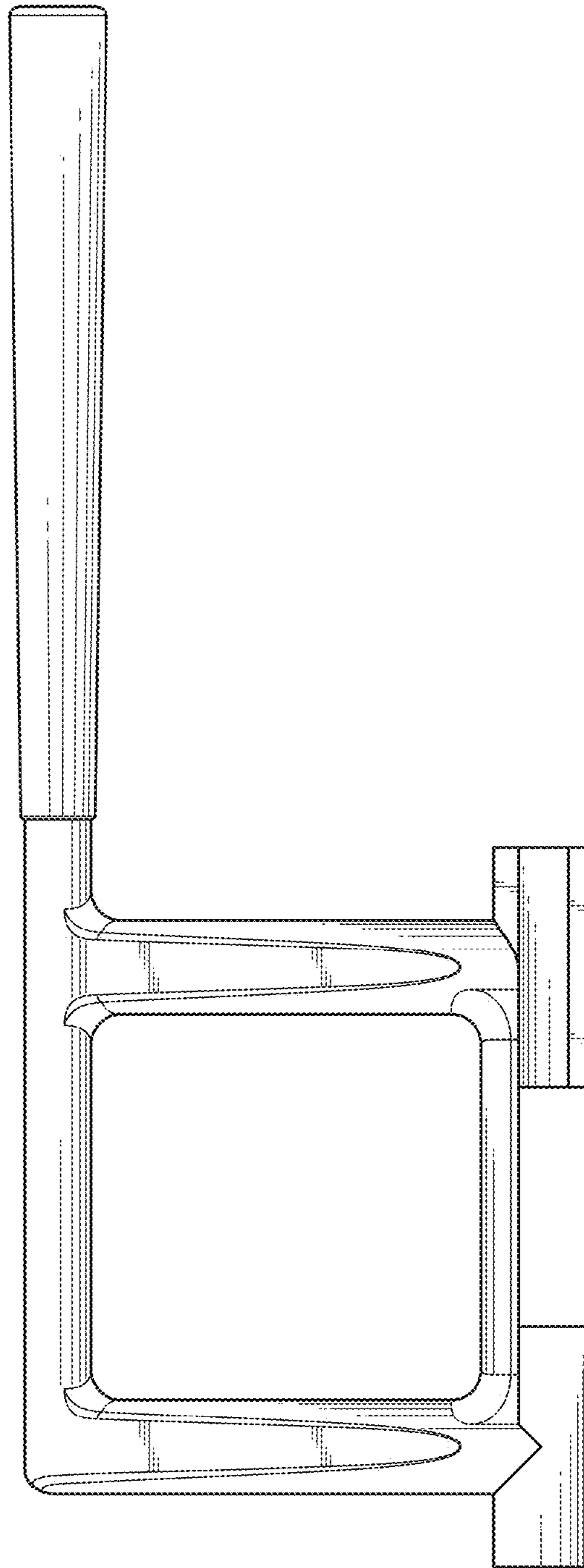


FIG. 3

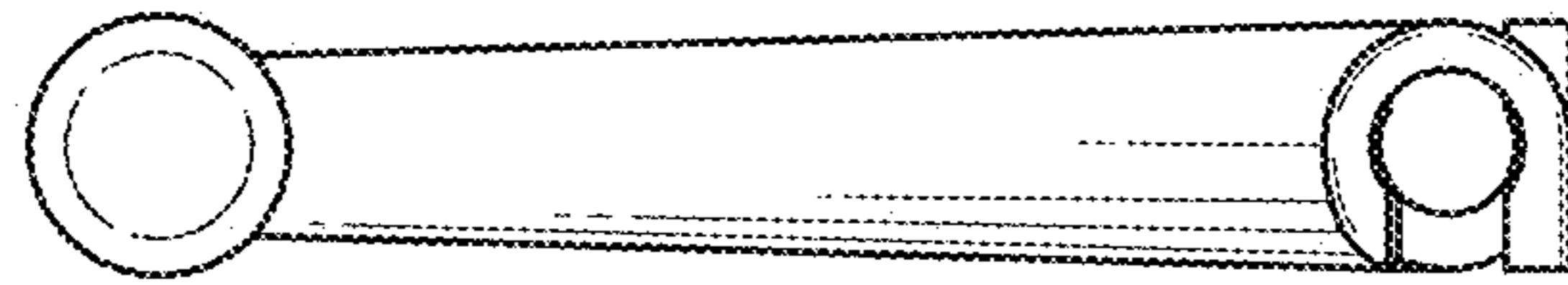


FIG. 4

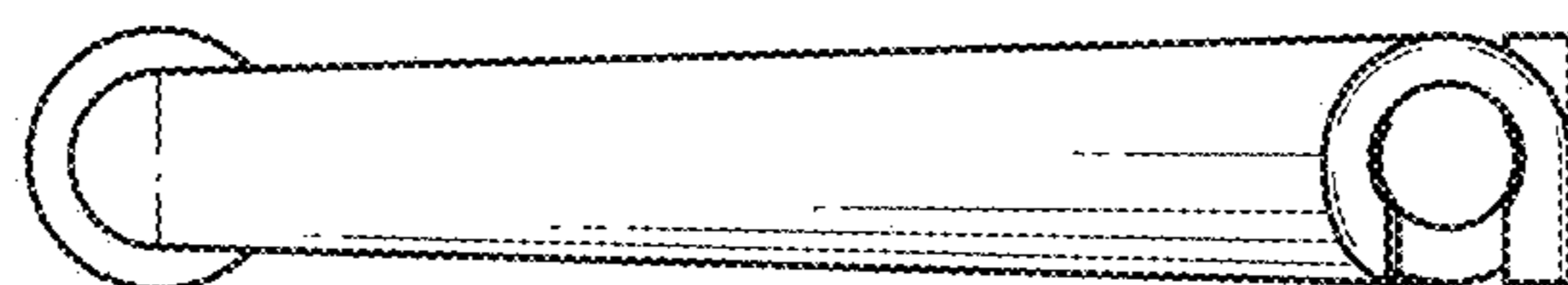


FIG. 5