



US00D736325S

(12) **United States Design Patent**  
**Daddoosh et al.**

(10) **Patent No.:** **US D736,325 S**

(45) **Date of Patent:** **\*\* Aug. 11, 2015**

(54) **FOLDABLE MOTORIZED SCOOTER**

(71) Applicants: **Ori Daddoosh**, Hertzeliya (IL); **Ori Yemini**, Elyakhin (IL)

(72) Inventors: **Ori Daddoosh**, Hertzeliya (IL); **Ori Yemini**, Elyakhin (IL)

(73) Assignee: **Green Ride Ltd.**, Haifa (IL)

(\*\*) Term: **14 Years**

(21) Appl. No.: **29/498,965**

(22) Filed: **Aug. 10, 2014**

(51) **LOC (10) Cl.** ..... **21-01**

(52) **U.S. Cl.**  
USPC ..... **D21/423**

(58) **Field of Classification Search**  
USPC ..... D21/419, 421, 423, 426-428, 435,  
D21/668-671, 760, 765, 771; D12/1, 8,  
D12/108, 111, 112, 113  
CPC ..... B62K 3/002; B62K 9/00; B62K 9/02;  
B62K 13/00; B62K 2202/00  
See application file for complete search history.

(56) **References Cited**

**U.S. PATENT DOCUMENTS**

4,842,091 A \* 6/1989 Badsey ..... 180/219  
D433,718 S \* 11/2000 McGreen ..... D21/423

D446,258 S \* 8/2001 Wang ..... D21/423  
D453,198 S \* 1/2002 Dudley ..... D21/423  
D509,258 S \* 9/2005 Huanxue ..... D21/423  
D654,542 S \* 2/2012 Chiu et al. .... D21/423  
8,636,293 B2 \* 1/2014 Eliasson ..... 280/278  
D726,259 S \* 4/2015 Slupsky ..... D21/423  
2014/0008882 A1 \* 1/2014 Liao ..... 280/40

\* cited by examiner

*Primary Examiner* — Cynthia M Chin

(74) *Attorney, Agent, or Firm* — Guy Levi; The IP Law Firm of Guy Levi, LLC

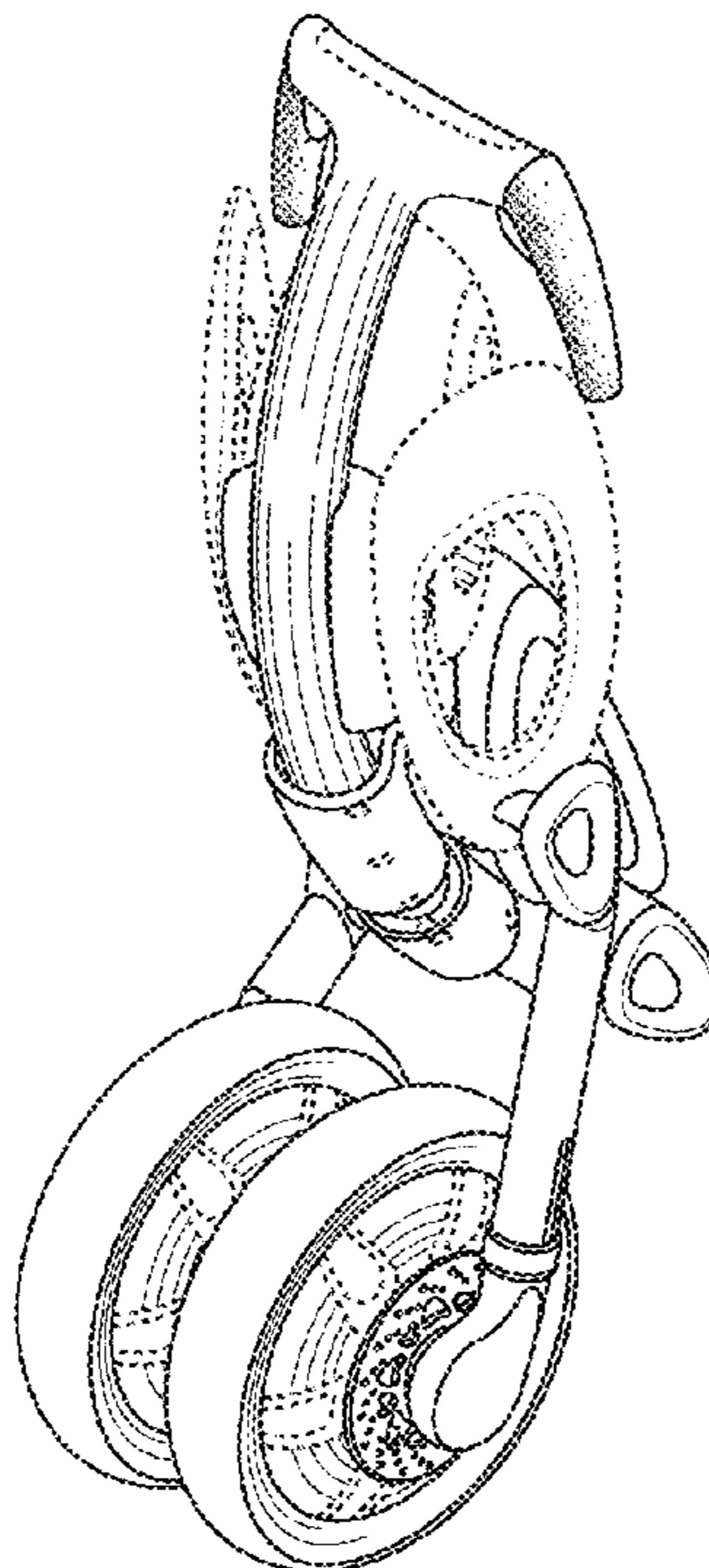
(57) **CLAIM**

We claim, the ornamental design for a foldable motorized scooter, as shown and described.

**DESCRIPTION**

FIG. 1 shows a top fight rear perspective of a foldable motorized scooter showing our new design;  
FIG. 2 shows a top left front perspective thereof;  
FIG. 3 shows a rear elevational view thereof;  
FIG. 4 shows a front elevational view thereof;  
FIG. 5 shows a bottom plan view thereof;  
FIG. 6 shows a top plan view thereof;  
FIG. 7 shows a left side elevational view thereof; and,  
FIG. 8 shows a right side elevational view thereof.  
The dashed lines shown in FIGS. 1-8 indicate environmental structures and as such, do not form a part of the claimed design. Stippling indicates contrast in materials and/or texture and is not intended to represent any specific color.

**1 Claim, 4 Drawing Sheets**



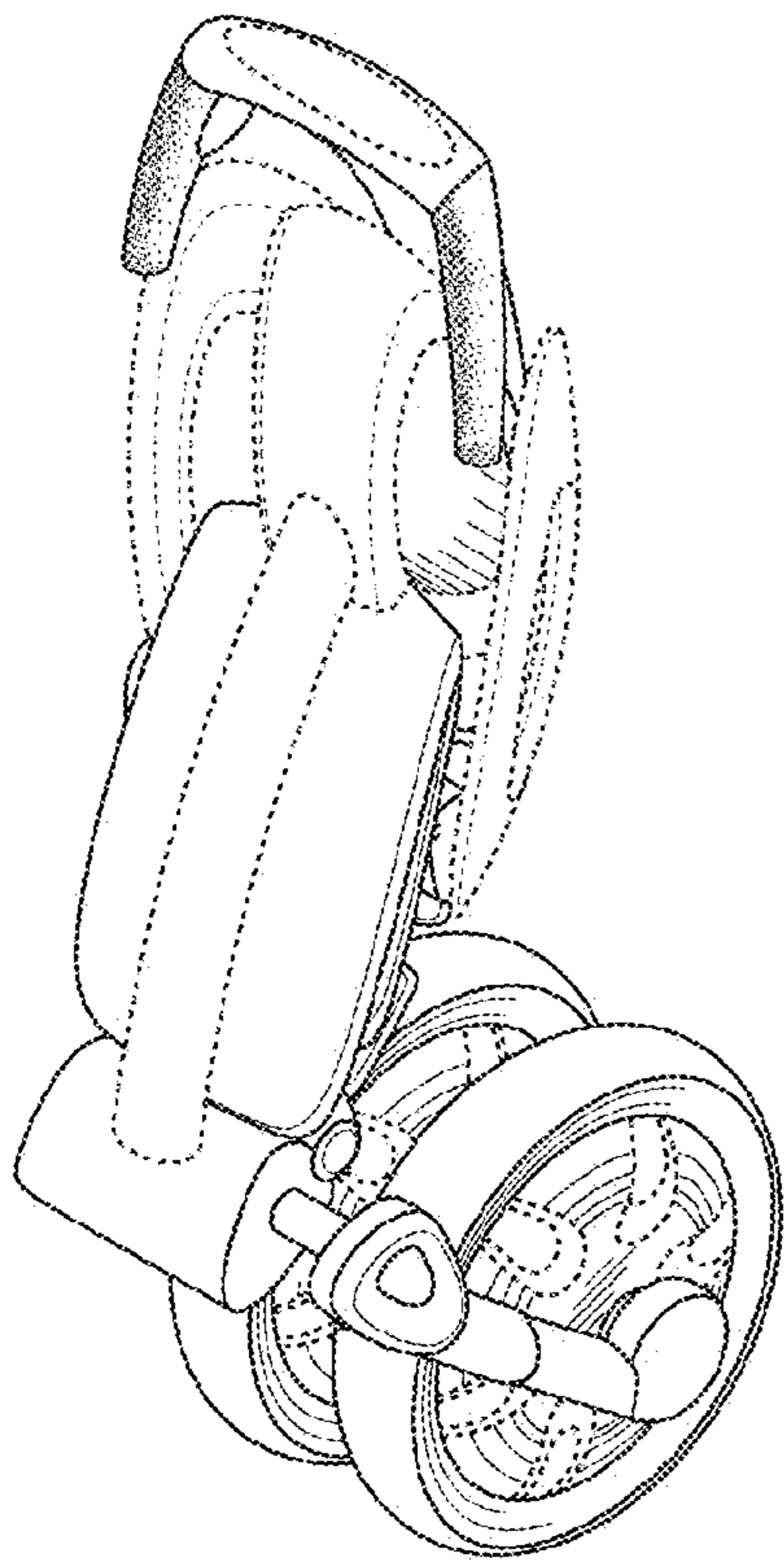


FIGURE 1

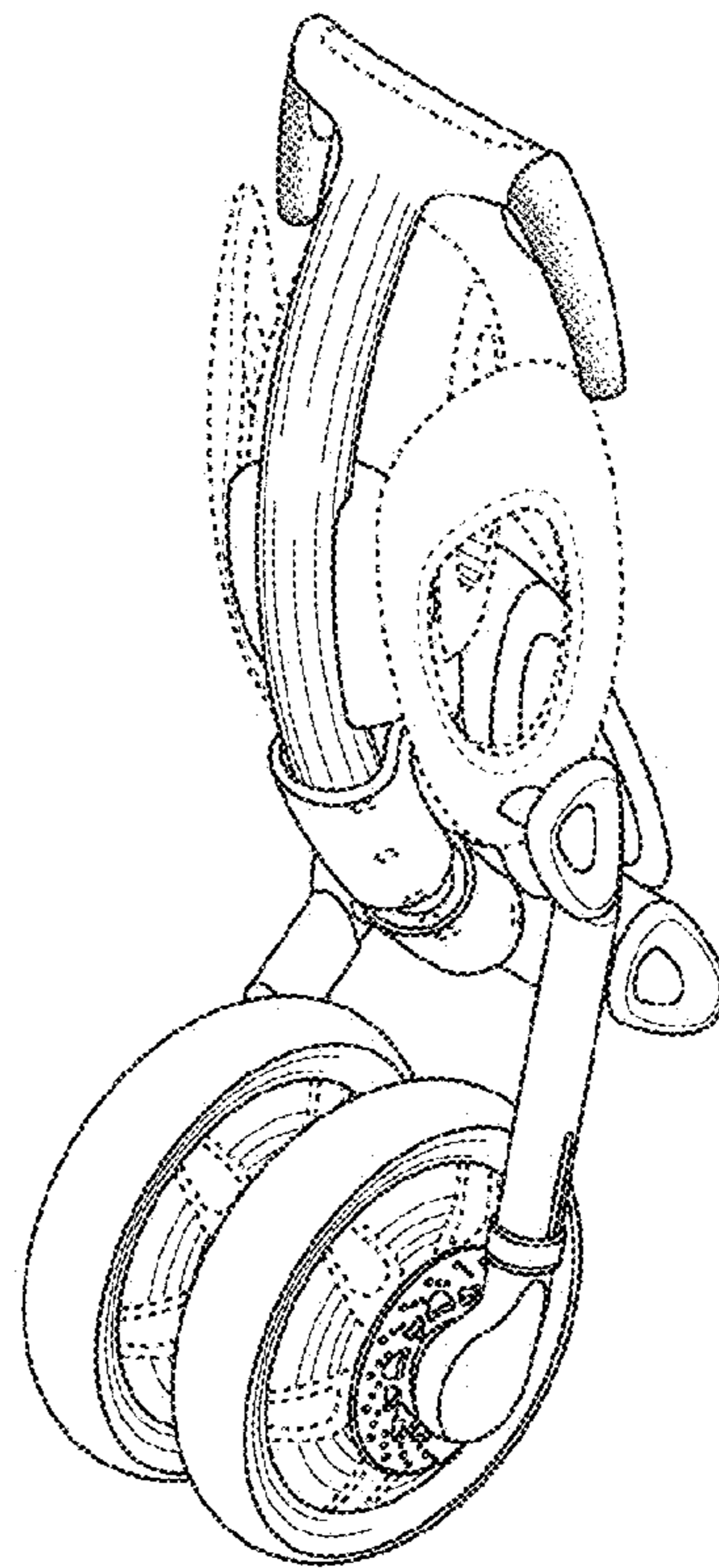


FIGURE 2

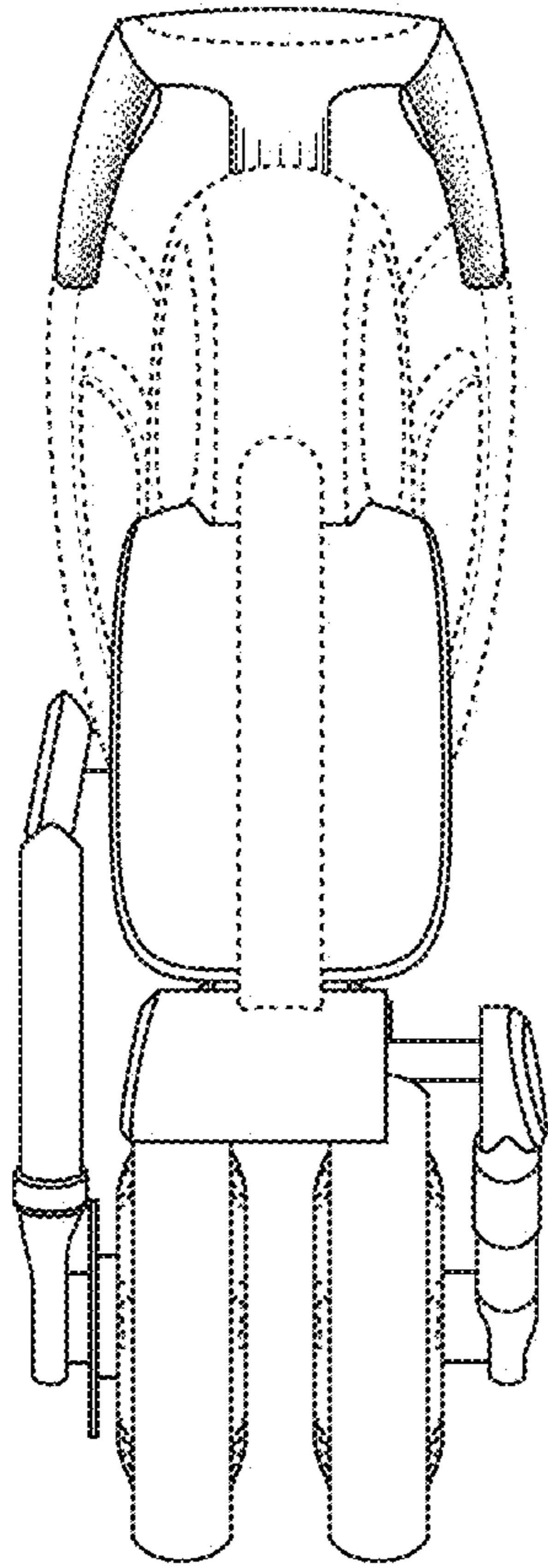


FIGURE 3

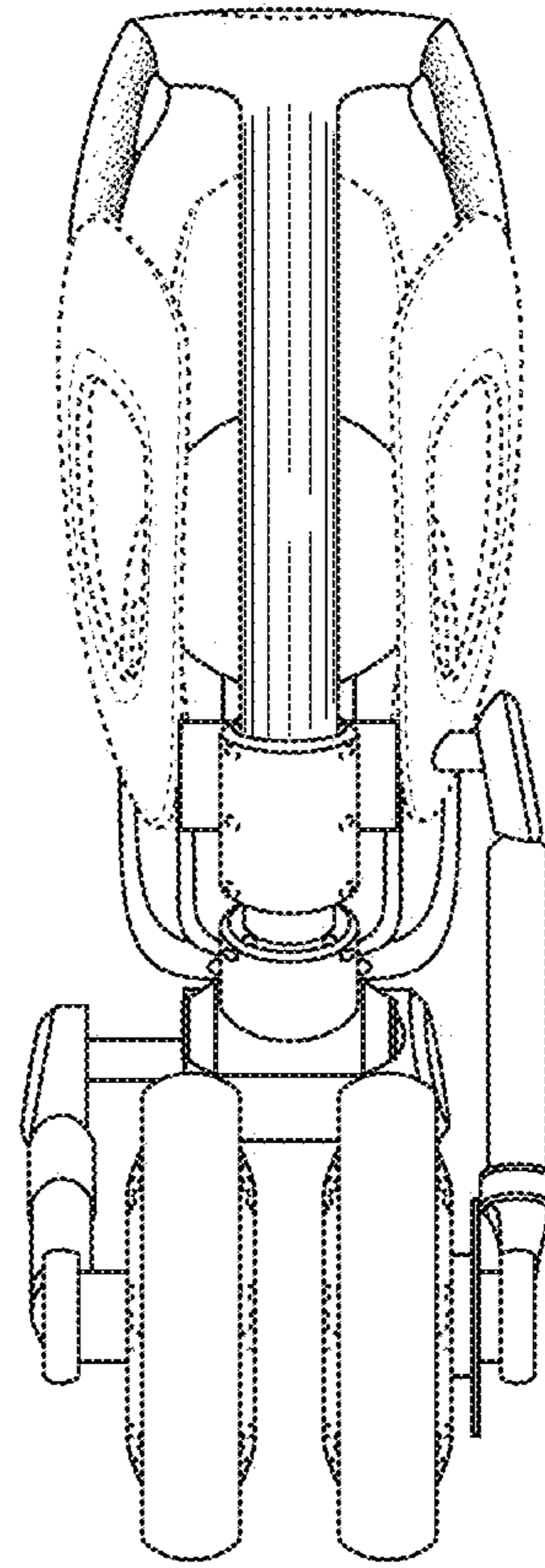


FIGURE 4

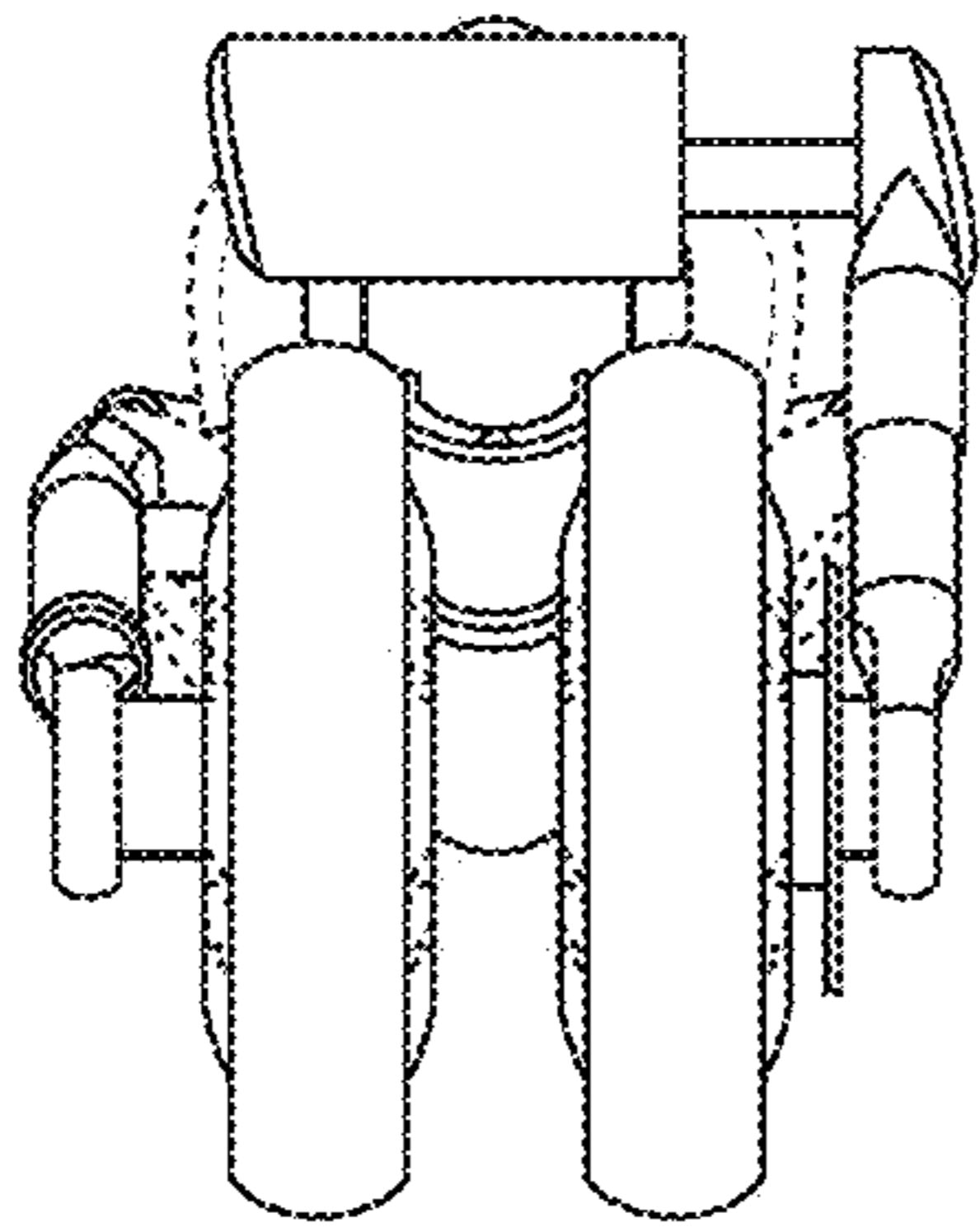


FIGURE 5

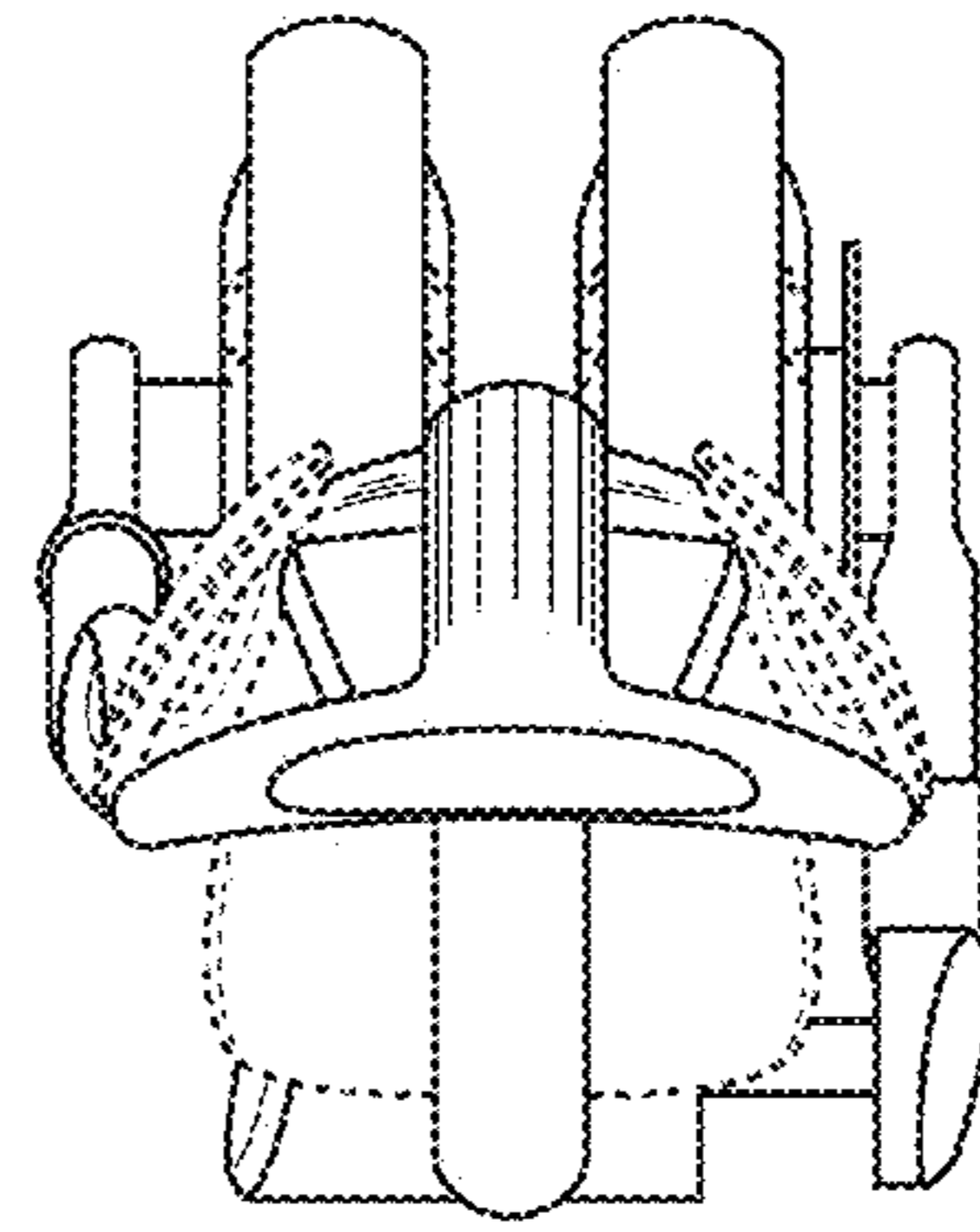


FIGURE 6



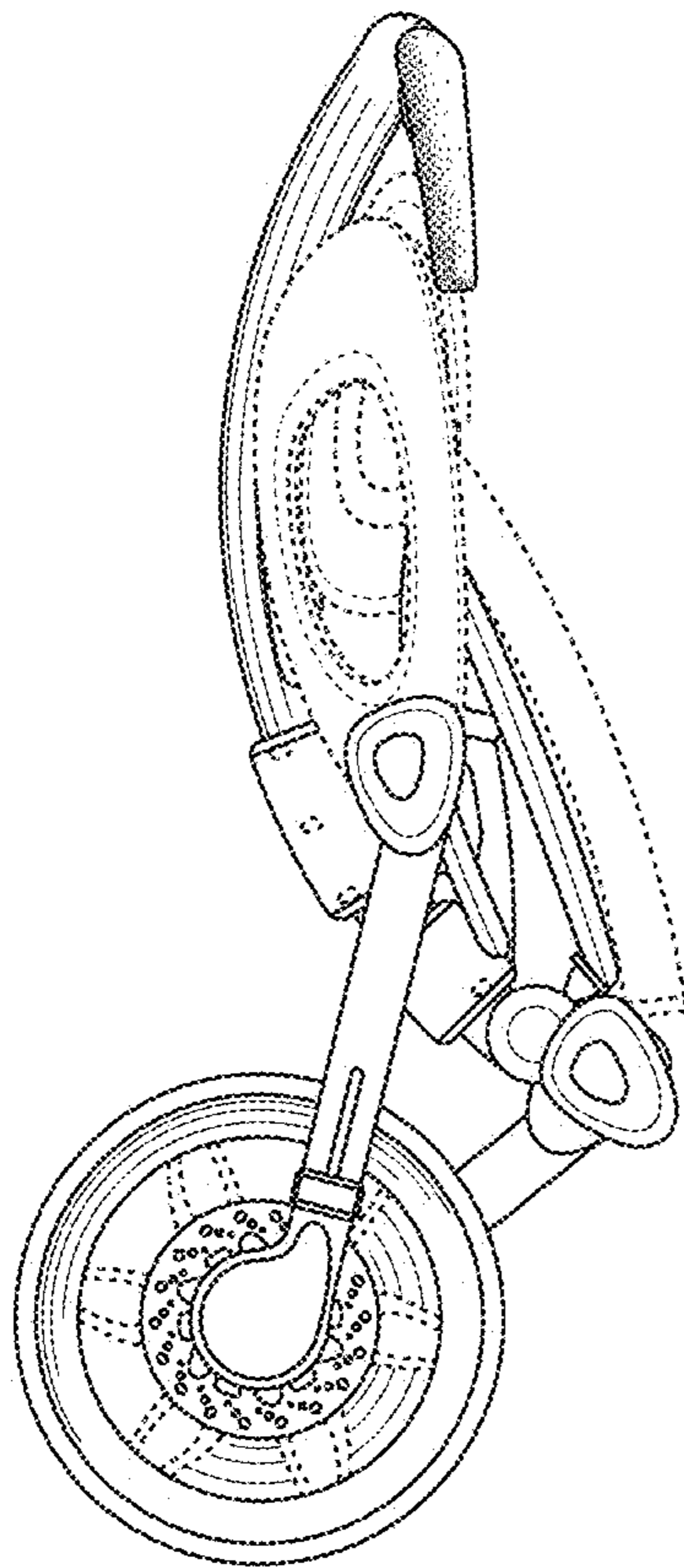


FIGURE 7

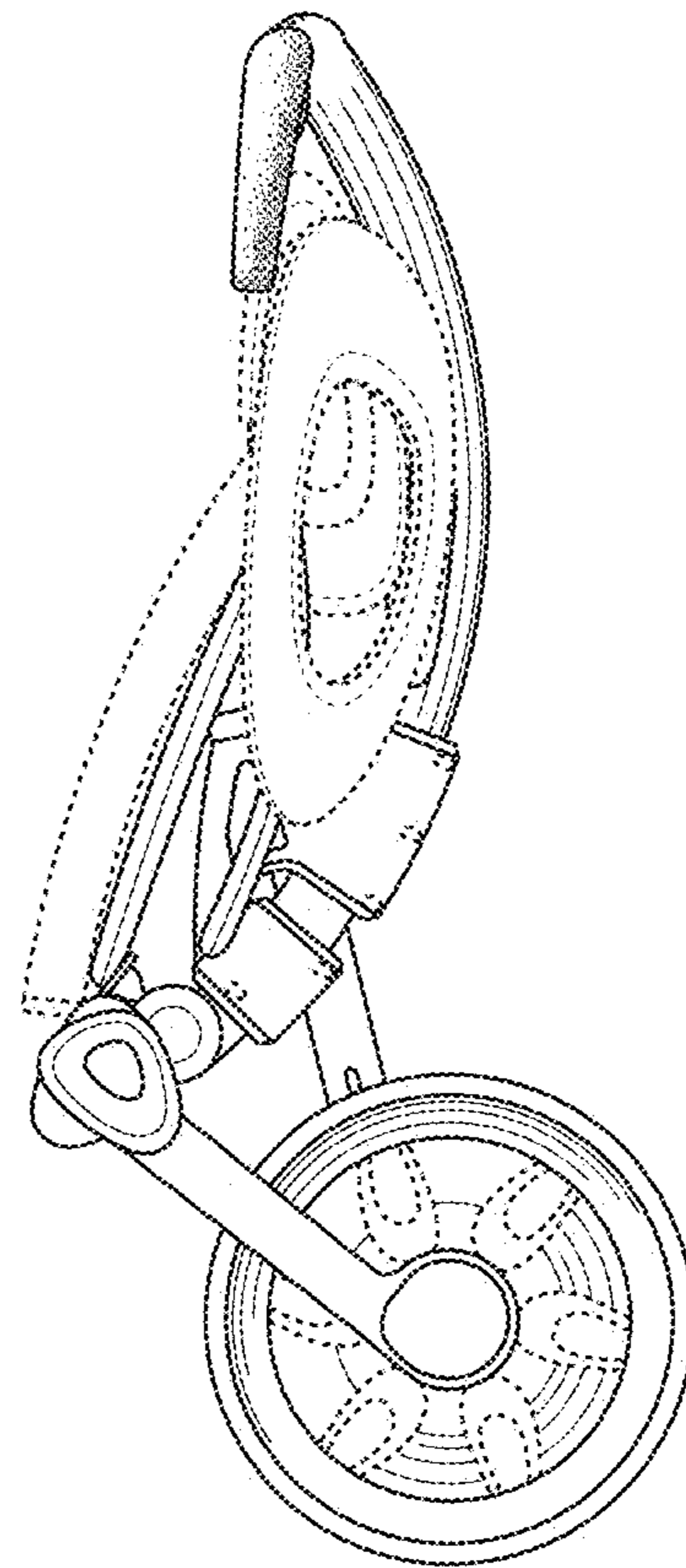


FIGURE 8