

US00D736324S

(12) **United States Design Patent**
Lu et al.

(10) **Patent No.:** **US D736,324 S**
(45) **Date of Patent:** **** Aug. 11, 2015**

(54) **SCOOTER**

(71) Applicants: **Jianhang Lu**, Chino Hills, CA (US);
Junkang Chen, Yongkang (CN)

(72) Inventors: **Jianhang Lu**, Chino Hills, CA (US);
Junkang Chen, Yongkang (CN)

(**) Term: **14 Years**

(21) Appl. No.: **29/492,665**

(22) Filed: **Jun. 2, 2014**

(51) **LOC (10) Cl.** **21-01**

(52) **U.S. Cl.**
USPC **D21/423**

(58) **Field of Classification Search**
USPC D21/419, 421, 423, 426-428, 435,
D21/668-671, 760, 765, 771; D12/1, 8,
D12/108, 111, 112, 113
CPC B62K 3/002; B62K 9/00; B62K 9/02;
B62K 13/00; B62K 2202/00
See application file for complete search history.

(56) **References Cited**

U.S. PATENT DOCUMENTS

5,775,452 A * 7/1998 Patmont 180/181
6,179,307 B1 * 1/2001 Mao 280/87.041

D438,911 S * 3/2001 Chen D21/423
D447,187 S * 8/2001 Powers D21/423
D448,429 S * 9/2001 Chen D21/423
D463,508 S * 9/2002 Stroppiana D21/423
D497,397 S * 10/2004 Sramek D21/423
D516,132 S * 2/2006 Sramek D21/423
D645,522 S * 9/2011 Powers et al. D21/423
D692,963 S * 11/2013 Radtke et al. D21/423
D717,881 S * 11/2014 Radtke et al. D21/423
2012/0048636 A1 * 3/2012 Huang 180/220

* cited by examiner

Primary Examiner — Cynthia M Chin

(74) *Attorney, Agent, or Firm* — Clement Cheng

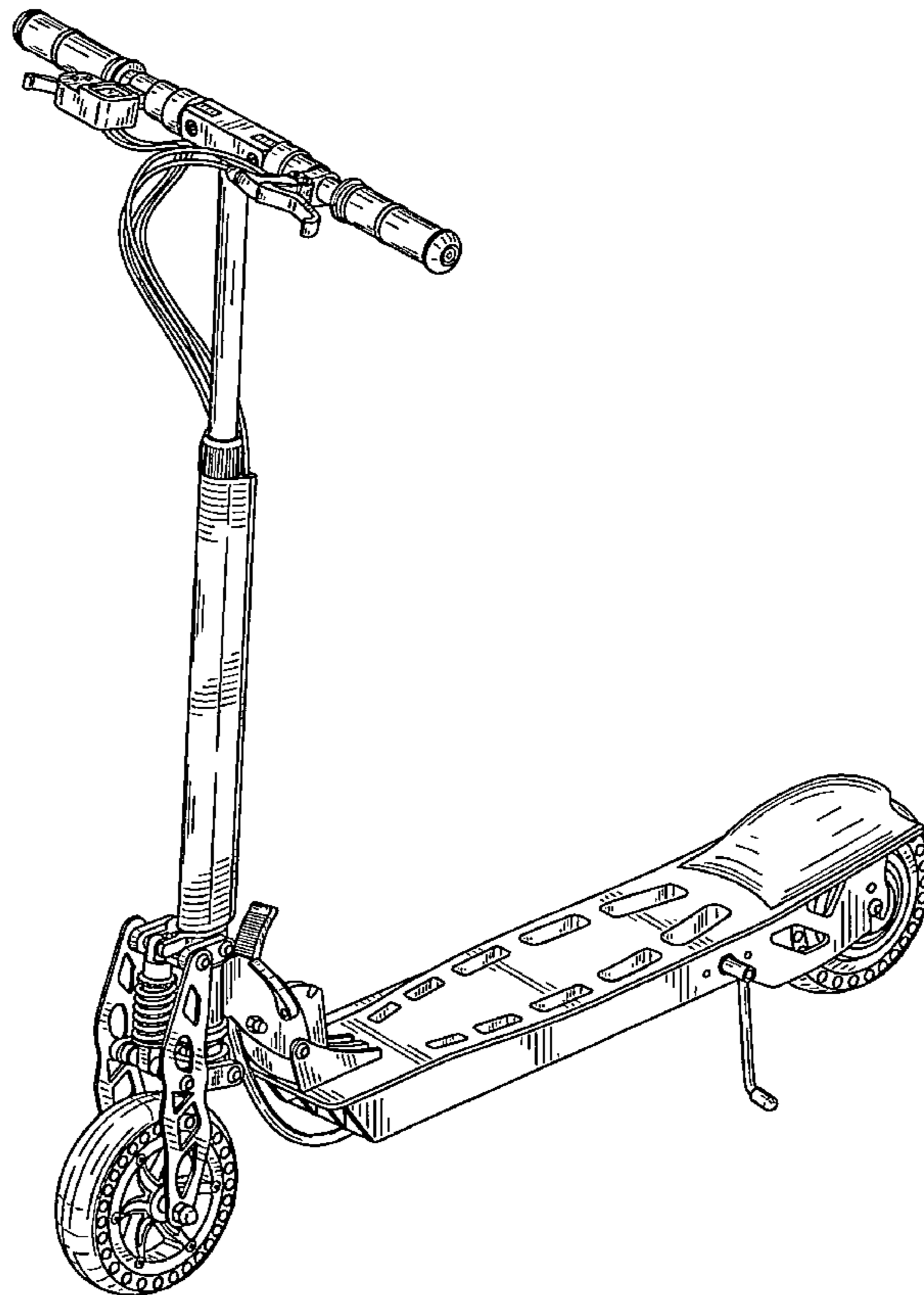
(57) **CLAIM**

The ornamental design for a scooter, as shown and described.

DESCRIPTION

FIG. 1 is a perspective view.
FIG. 2 is a front side view.
FIG. 3 is a back side view.
FIG. 4 is a left view.
FIG. 5 is a right view.
FIG. 6 is a top view; and,
FIG. 7 is a bottom view.
The broken lines represent portions of the article that form no part of the claim.

1 Claim, 7 Drawing Sheets



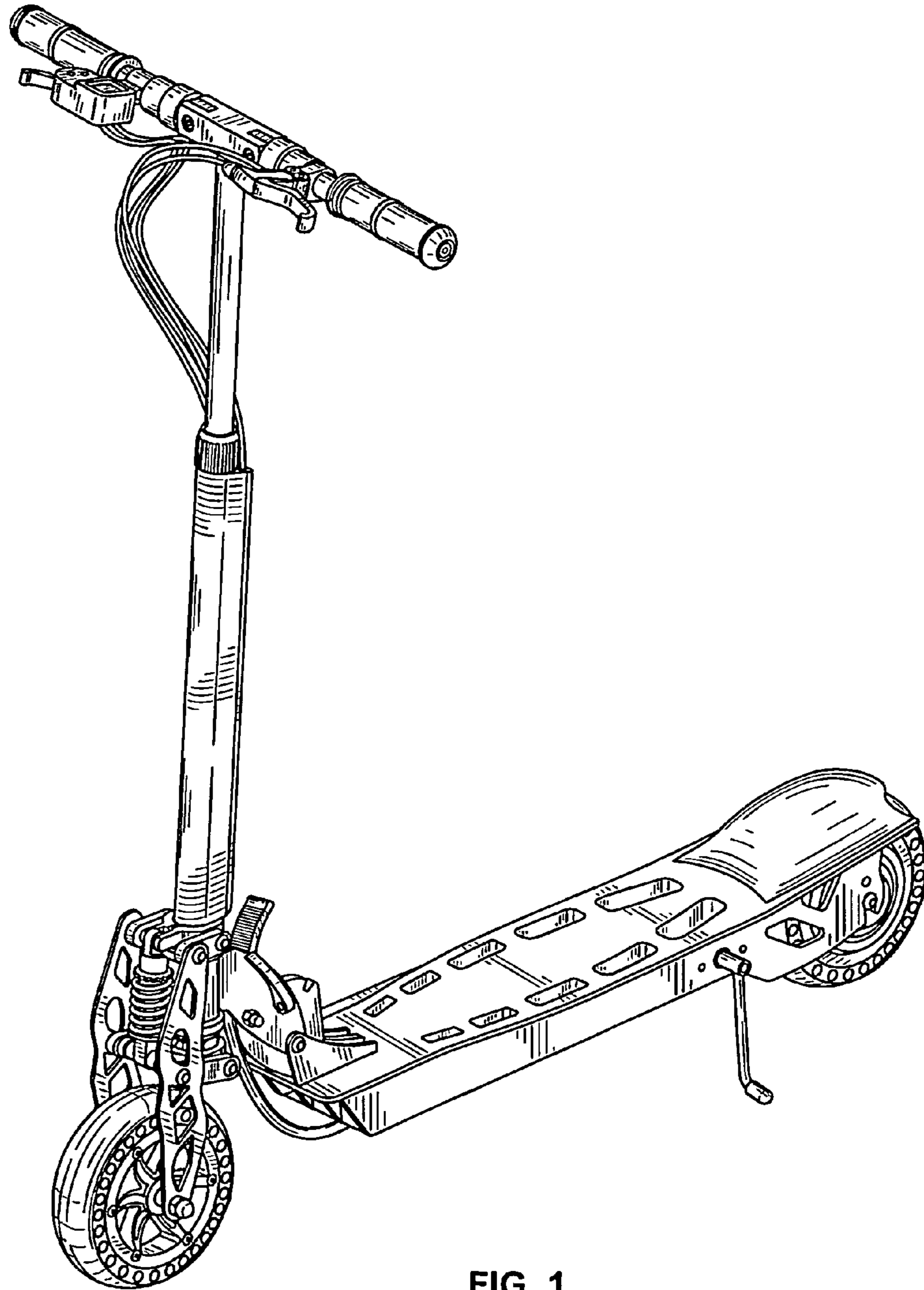


FIG. 1

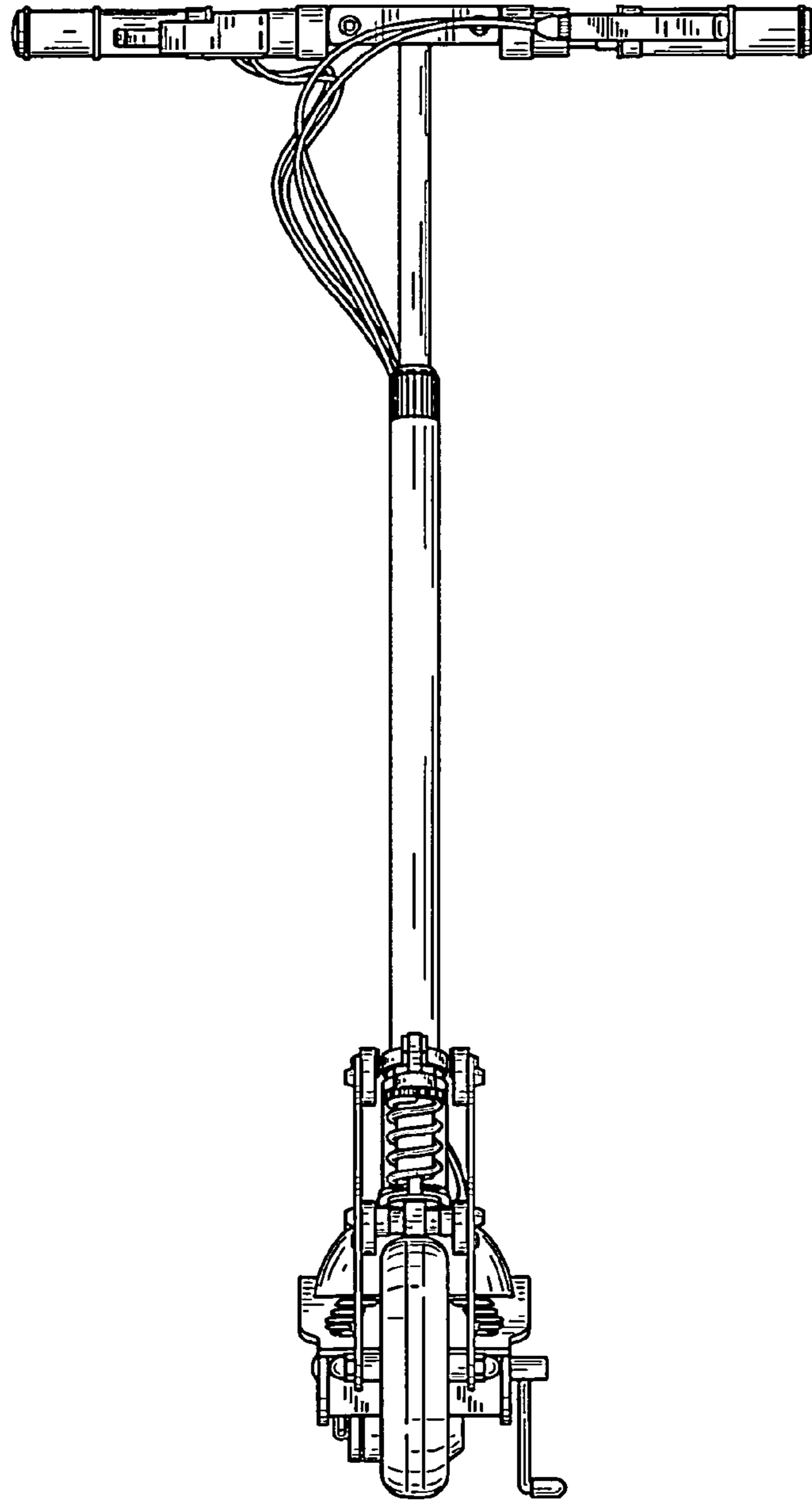


FIG. 2

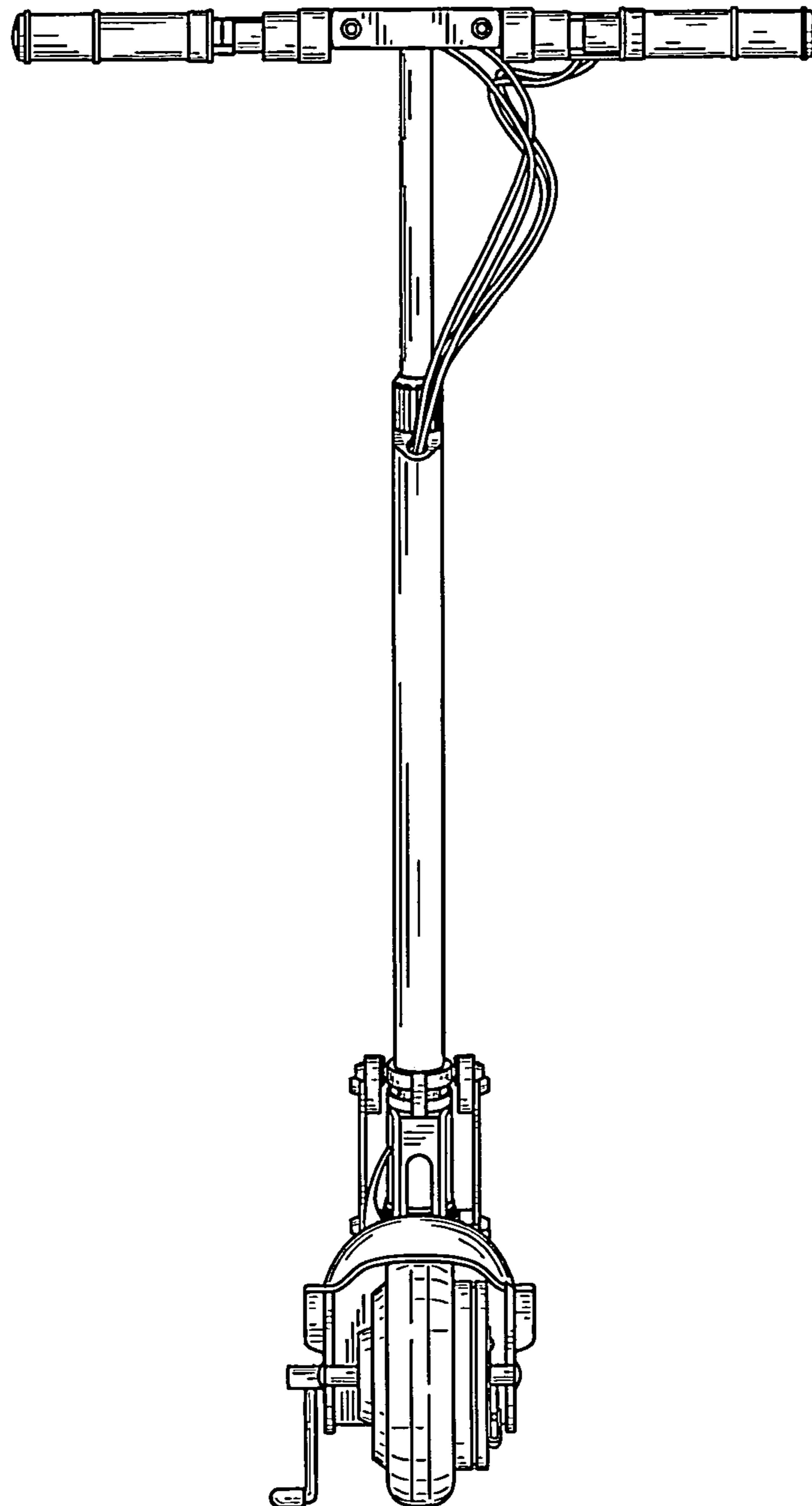


FIG. 3



FIG. 4

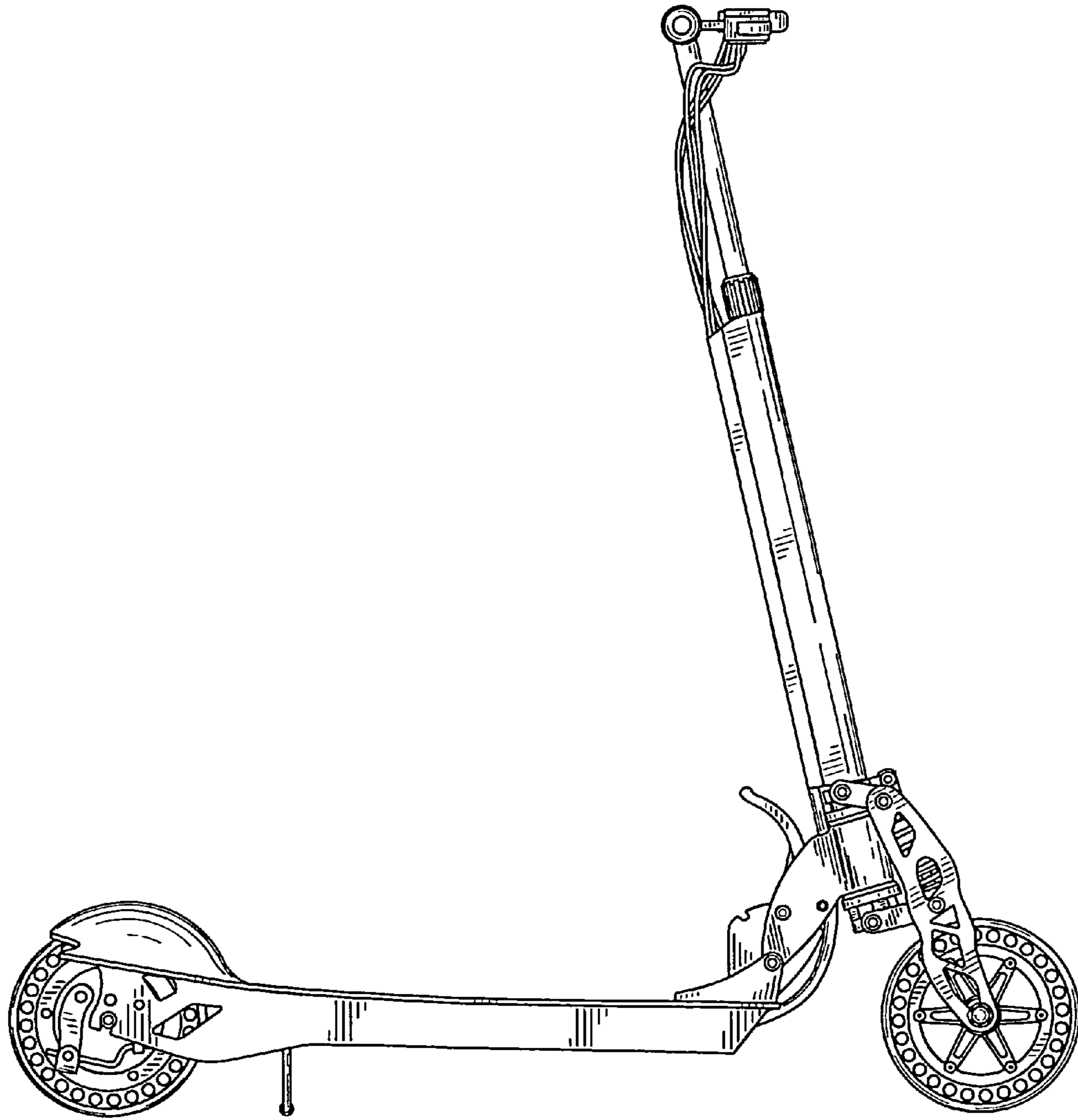


FIG. 5

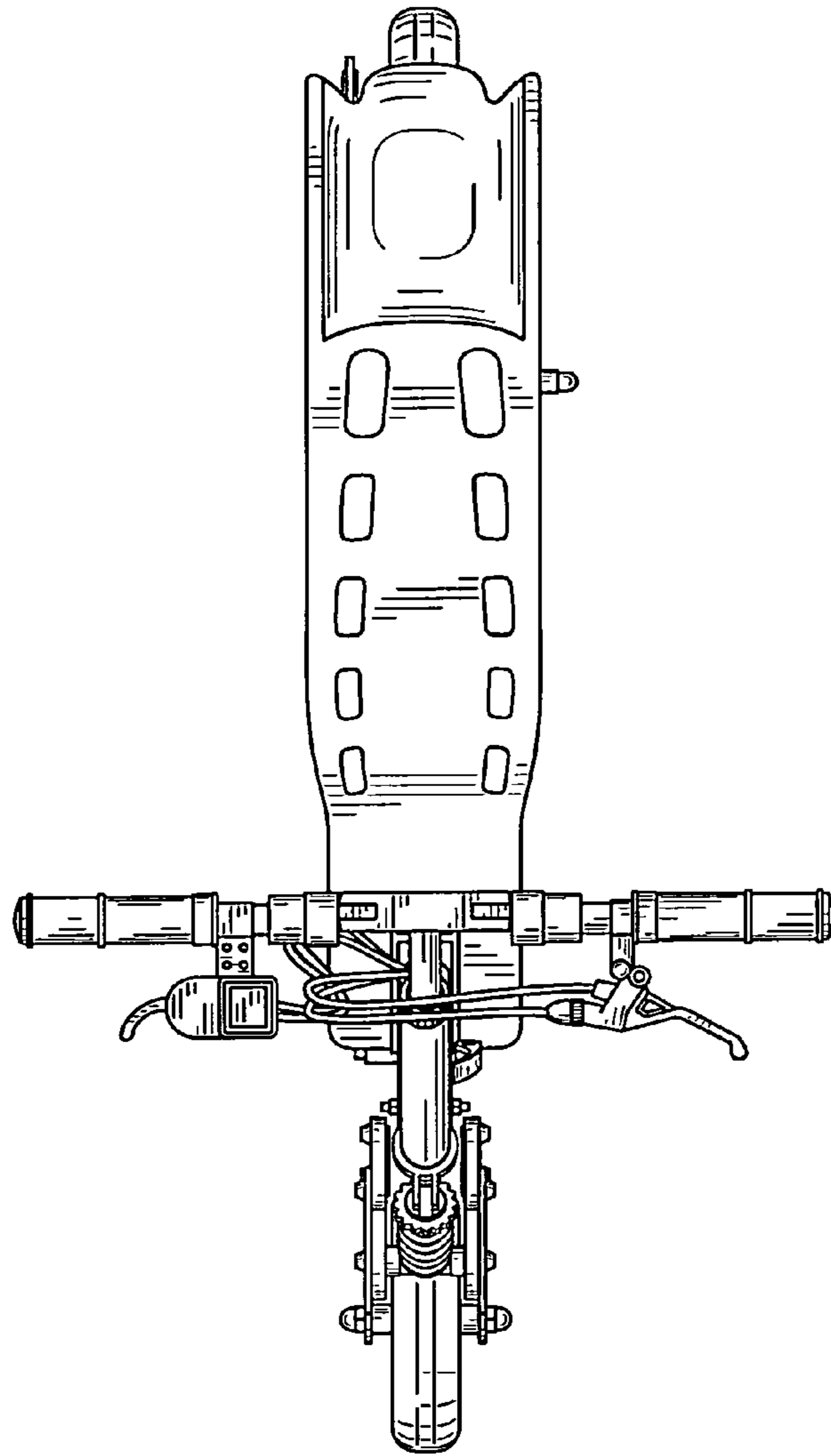


FIG. 6

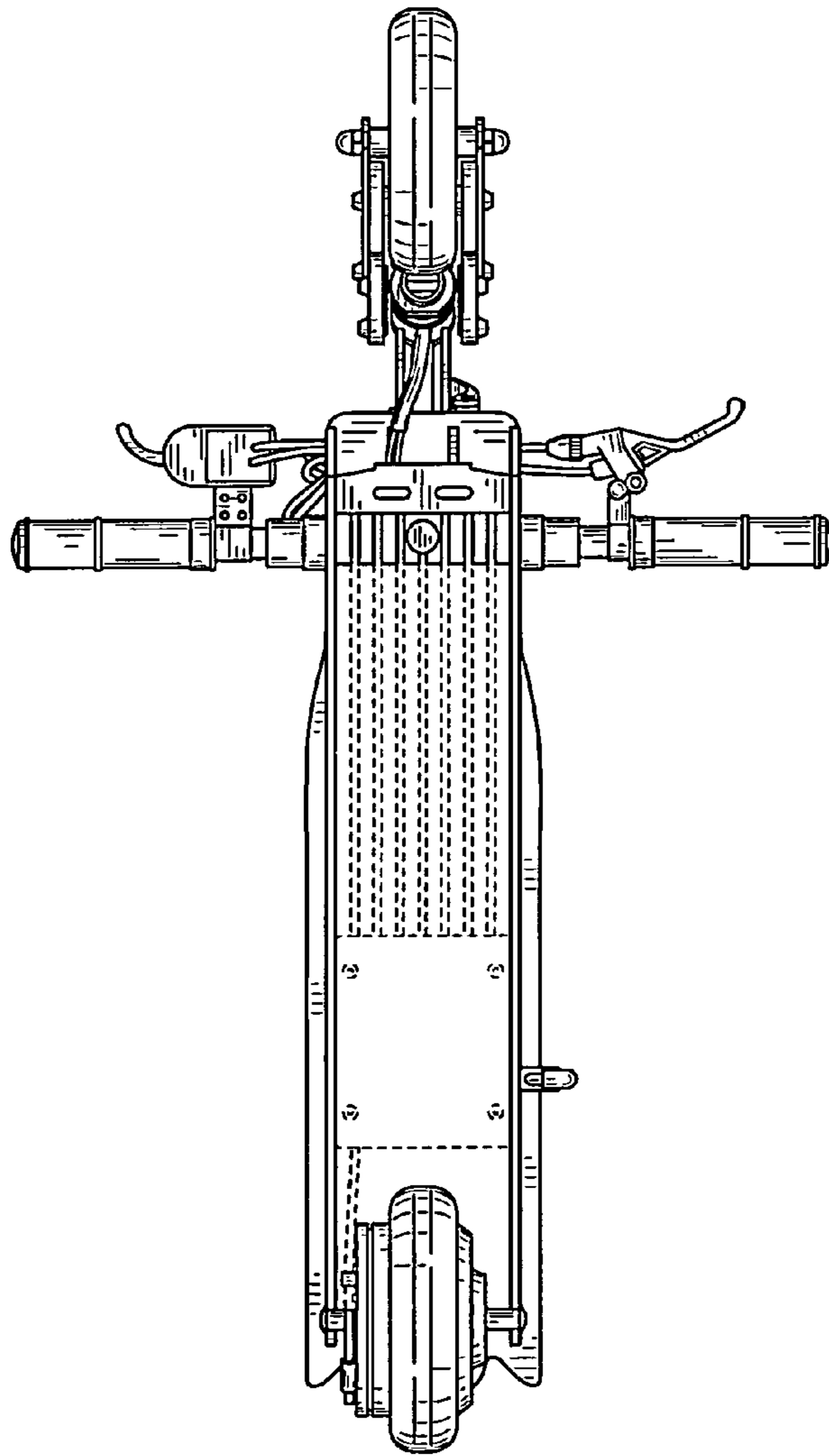


FIG. 7