



US00D736323S

(12) **United States Design Patent**
Wai Shing

(10) **Patent No.:** **US D736,323 S**

(45) **Date of Patent:** **** Aug. 11, 2015**

(54) **SELF-PROPELLED CAROUSEL TOY**

(71) Applicant: **Wally Sze Wai Shing**, Quarry Bay (HK)

(72) Inventor: **Wally Sze Wai Shing**, Quarry Bay (HK)

(73) Assignee: **Grow'n Up Limited**, Hong Kong (HK)

(**) Term: **14 Years**

(21) Appl. No.: **29/453,280**

(22) Filed: **Apr. 26, 2013**

(51) **LOC (10) Cl.** **21-01**

(52) **U.S. Cl.**
USPC **D21/419; D21/530**

(58) **Field of Classification Search**
USPC D21/419, 455, 506, 530, 814, 828, 830;
446/29, 227, 236, 487; 472/14, 19, 29,
472/36, 40, 41

CPC A63G 1/00; A63G 1/12; A63G 1/16;
A63G 23/00; A63G 3/00
See application file for complete search history.

(56) **References Cited**

U.S. PATENT DOCUMENTS

151,197	A *	5/1874	Bolton	472/13
2,785,896	A *	3/1957	Ellis	472/19
3,170,687	A *	2/1965	Lugger	472/19
3,749,399	A *	7/1973	Fedor et al.	472/25
D233,899	S *	12/1974	Burkhart	D21/419
3,873,087	A	3/1975	Burkart et al.	
D239,953	S *	5/1976	Zick	D21/830
4,234,152	A *	11/1980	Browse	248/415

4,811,942	A *	3/1989	Rusk	472/14
5,118,094	A *	6/1992	Lambert	472/14
D330,403	S *	10/1992	Lambert	D21/830
D332,818	S *	1/1993	Spirk et al.	D21/830
D368,760	S *	4/1996	Ullrich et al.	D21/830
6,808,457	B1 *	10/2004	Paukert et al.	472/14

FOREIGN PATENT DOCUMENTS

CA	1016563	A1	8/1977
FR	2227029	A1	11/1974
GB	1428899	A	3/1976

* cited by examiner

Primary Examiner — Catherine Tuttle

(74) *Attorney, Agent, or Firm* — St. Onge Steward Johnston & Reens LLC

(57) **CLAIM**

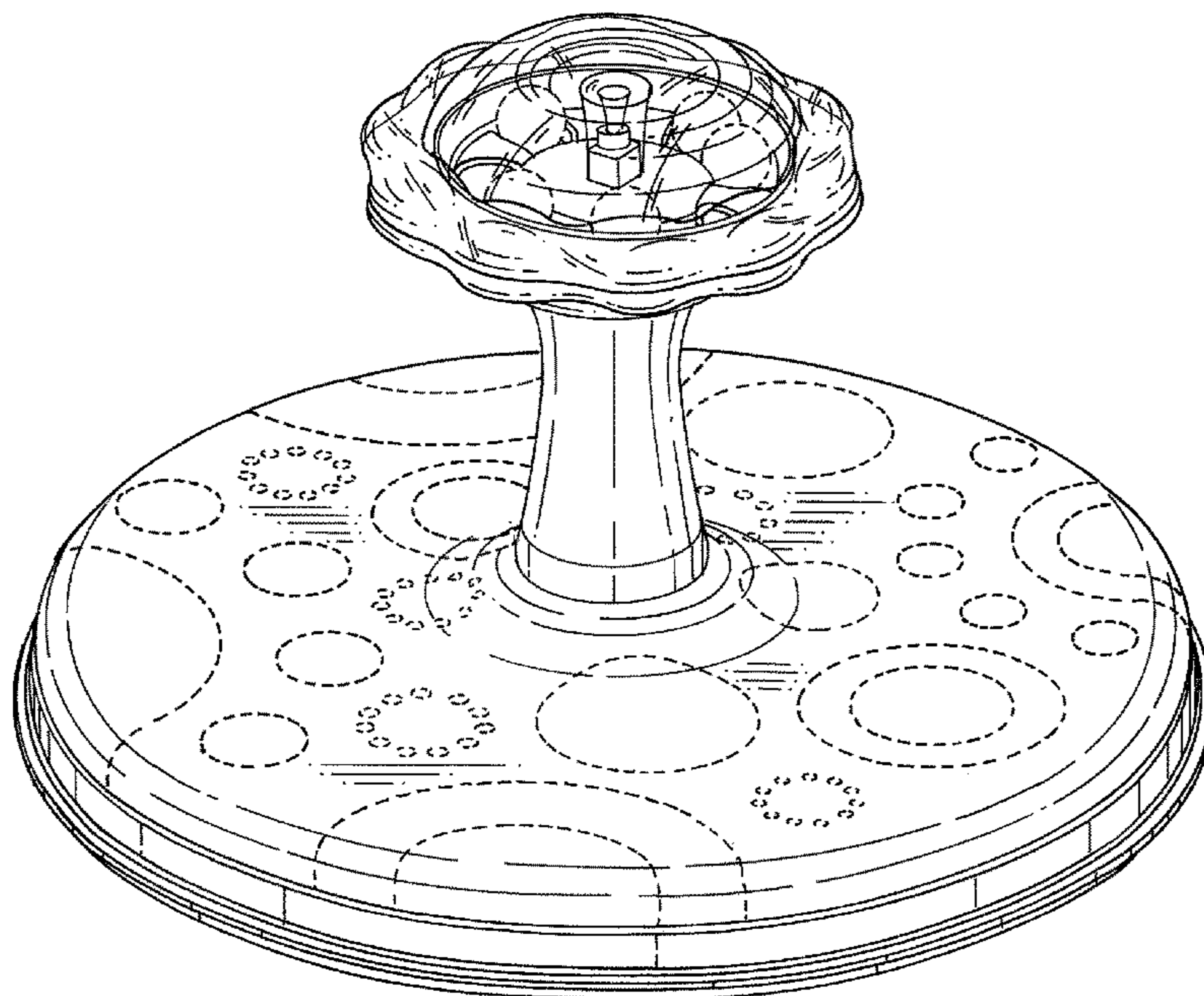
The ornamental design for a self-propelled carousel toy, as shown and described.

DESCRIPTION

FIG. 1 is a front isometric view of a self-propelled carousel toy in accordance with the new design; FIG. 2 is a front elevational view thereof; FIG. 3 is a left side elevational view thereof; FIG. 4 is a right side elevational view thereof; FIG. 5 is a rear elevational view thereof; FIG. 6 is a top plan view thereof; and, FIG. 7 is a bottom plan view thereof.

The dashed broken lines are included for the purpose of illustrating features of the self-propelled carousel toy that form no part of the claimed design.

1 Claim, 7 Drawing Sheets



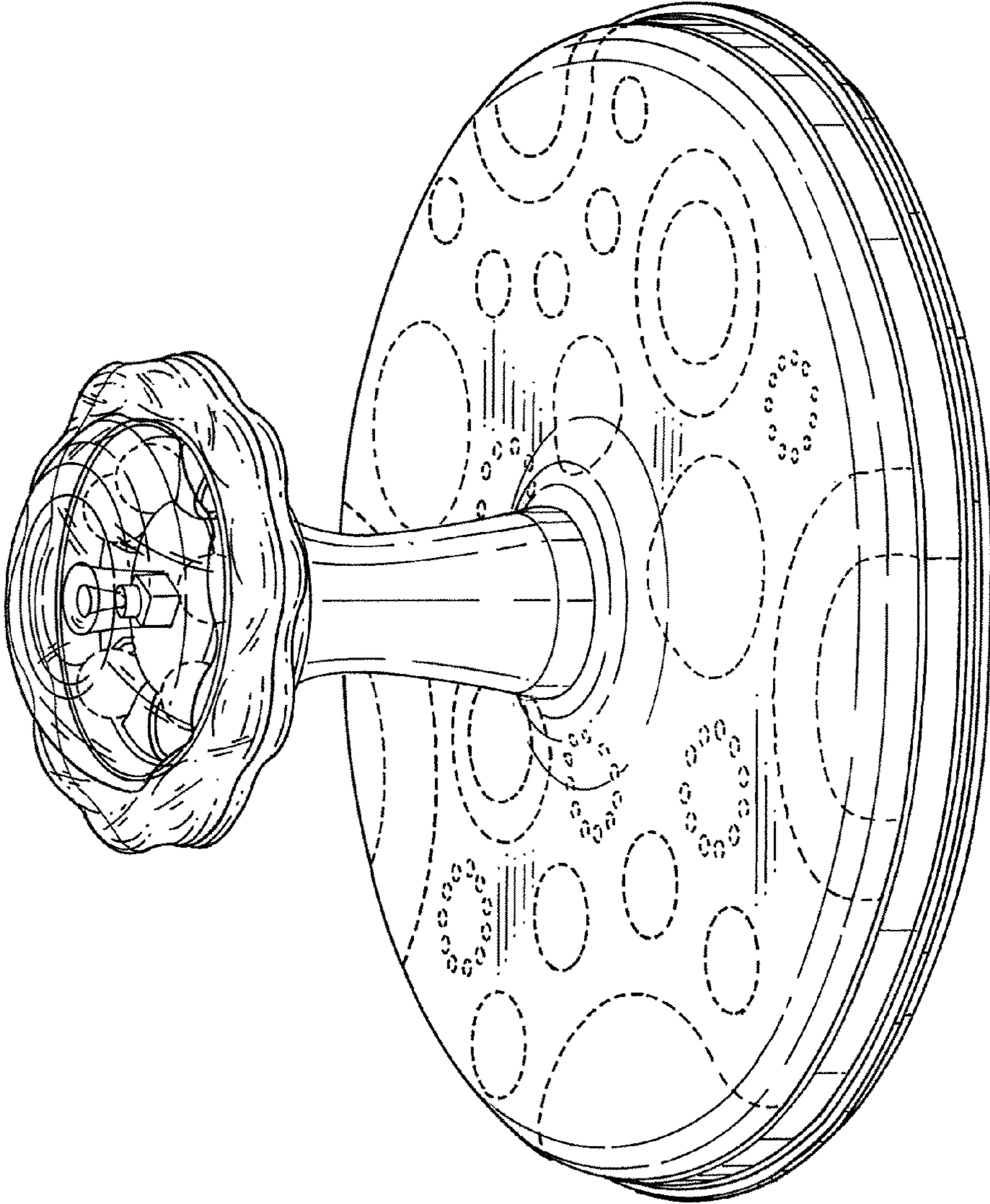


FIG. 1

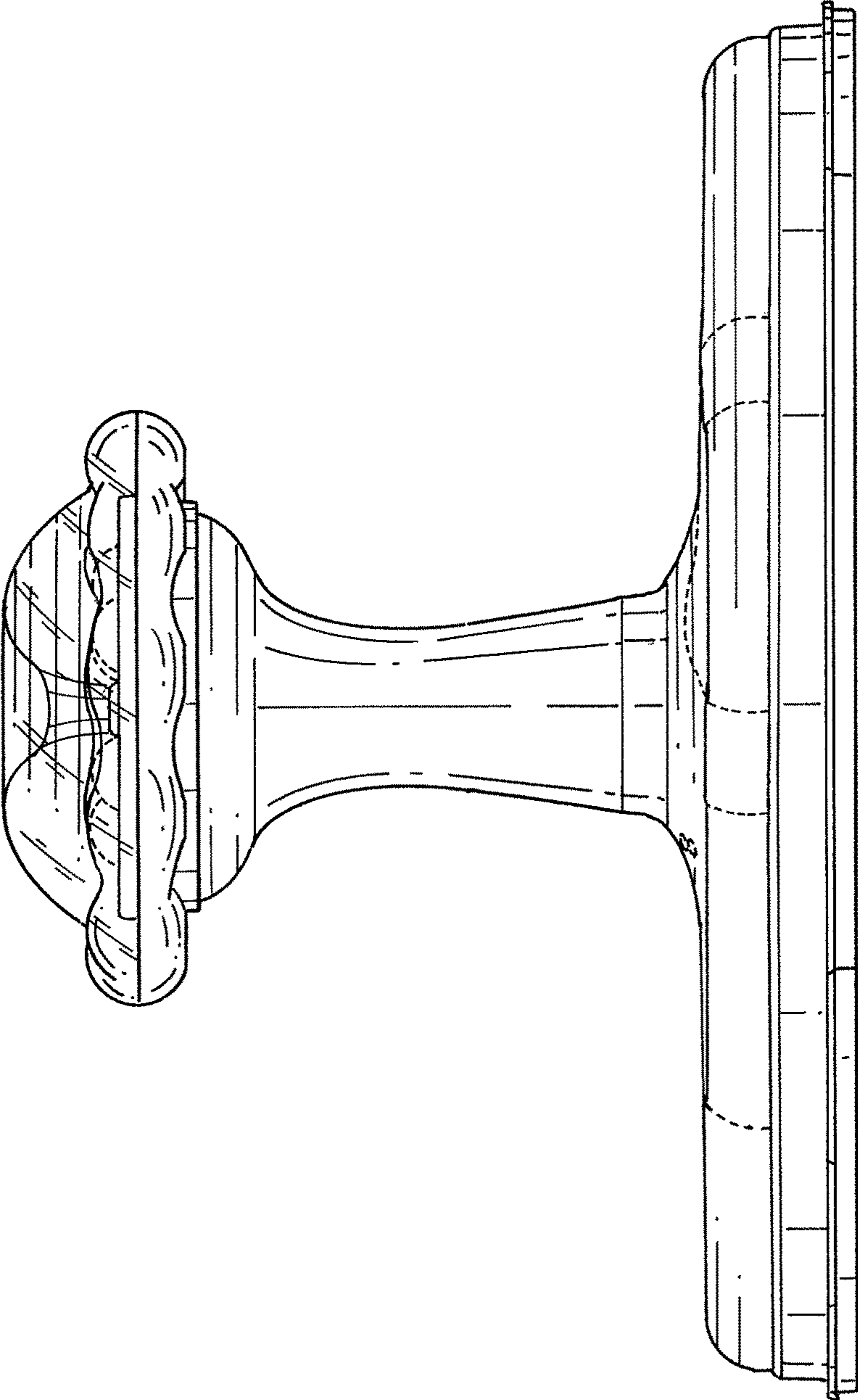


FIG. 2

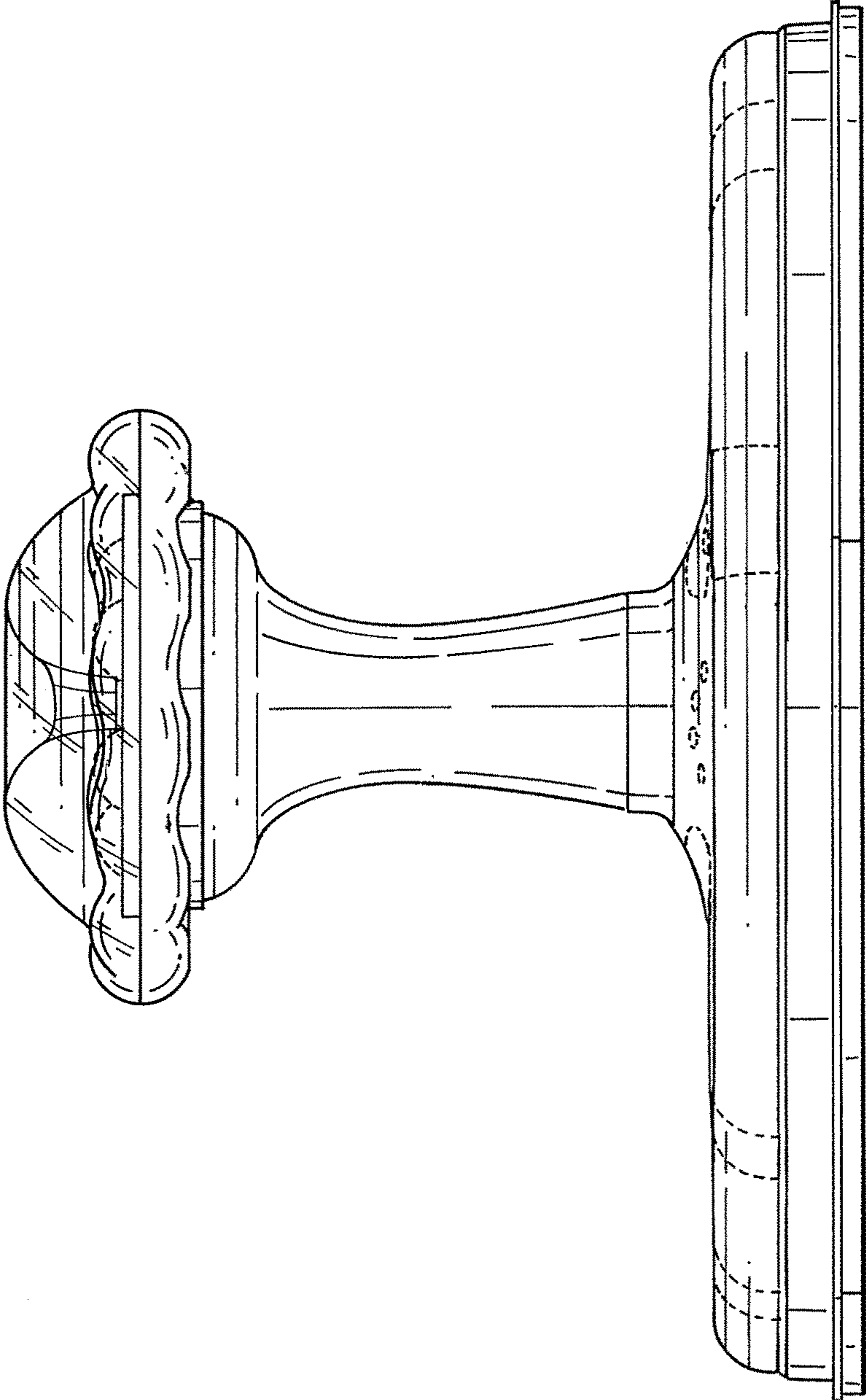


FIG. 3

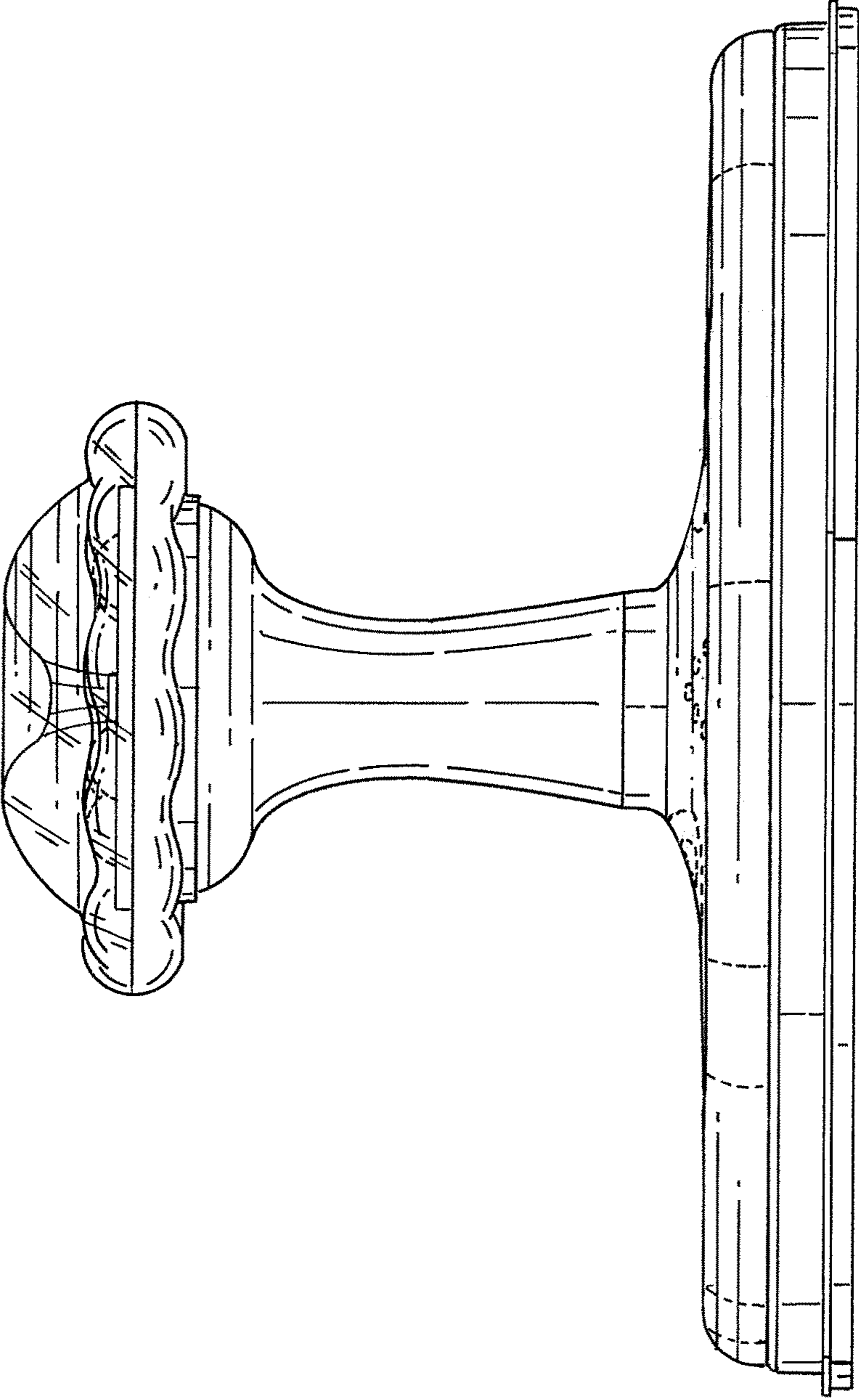


FIG. 4

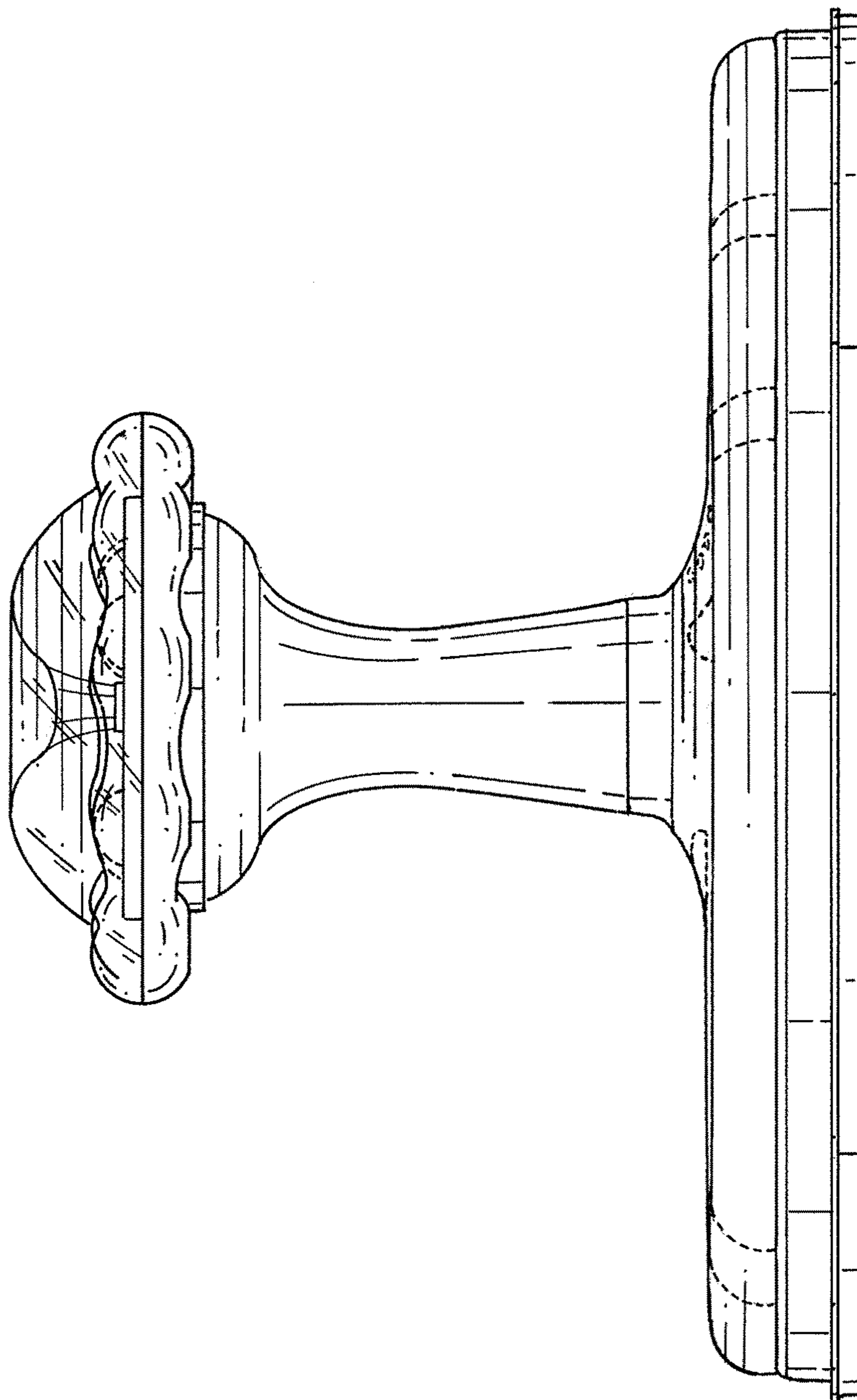


FIG. 5

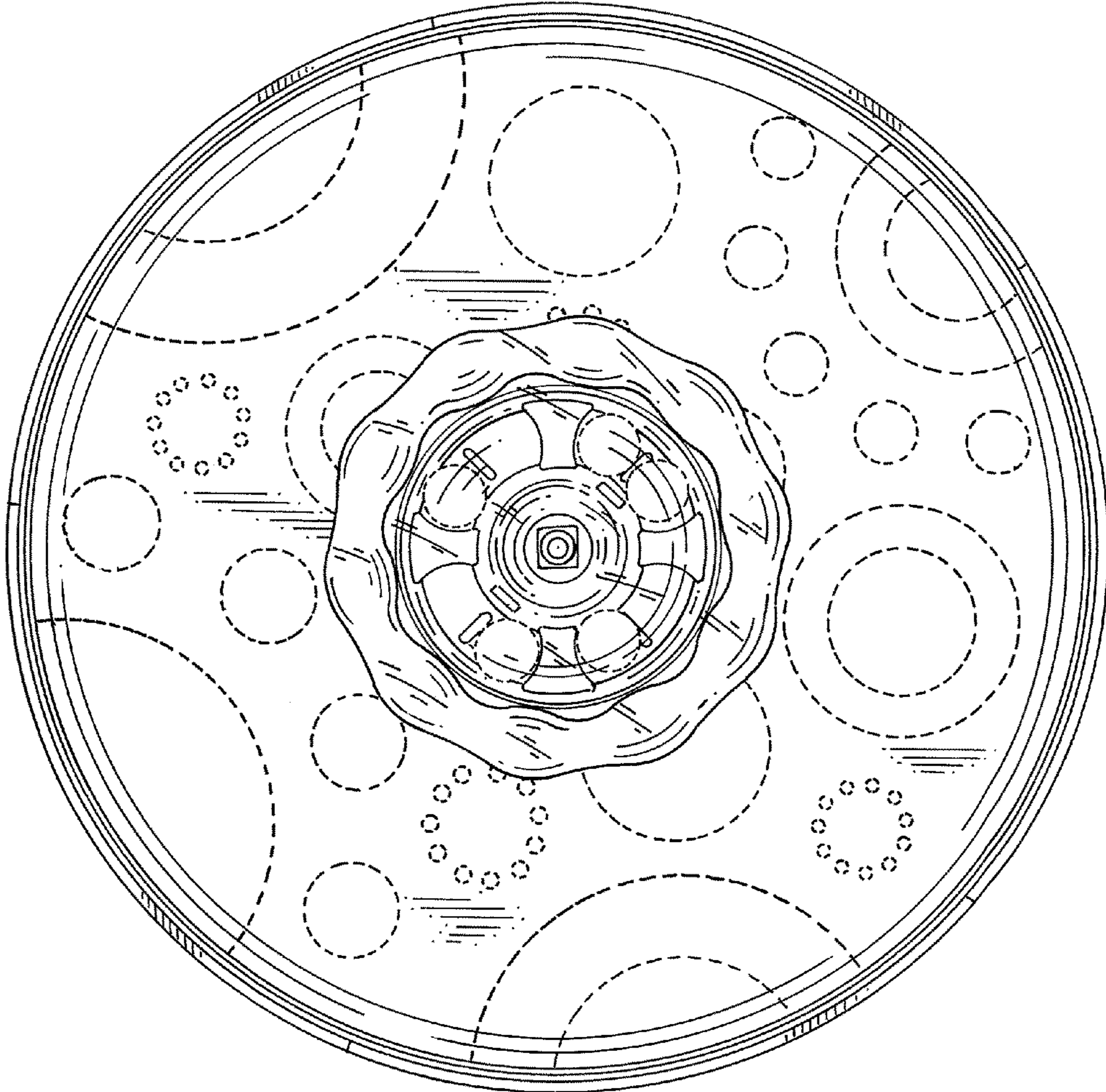


FIG. 6

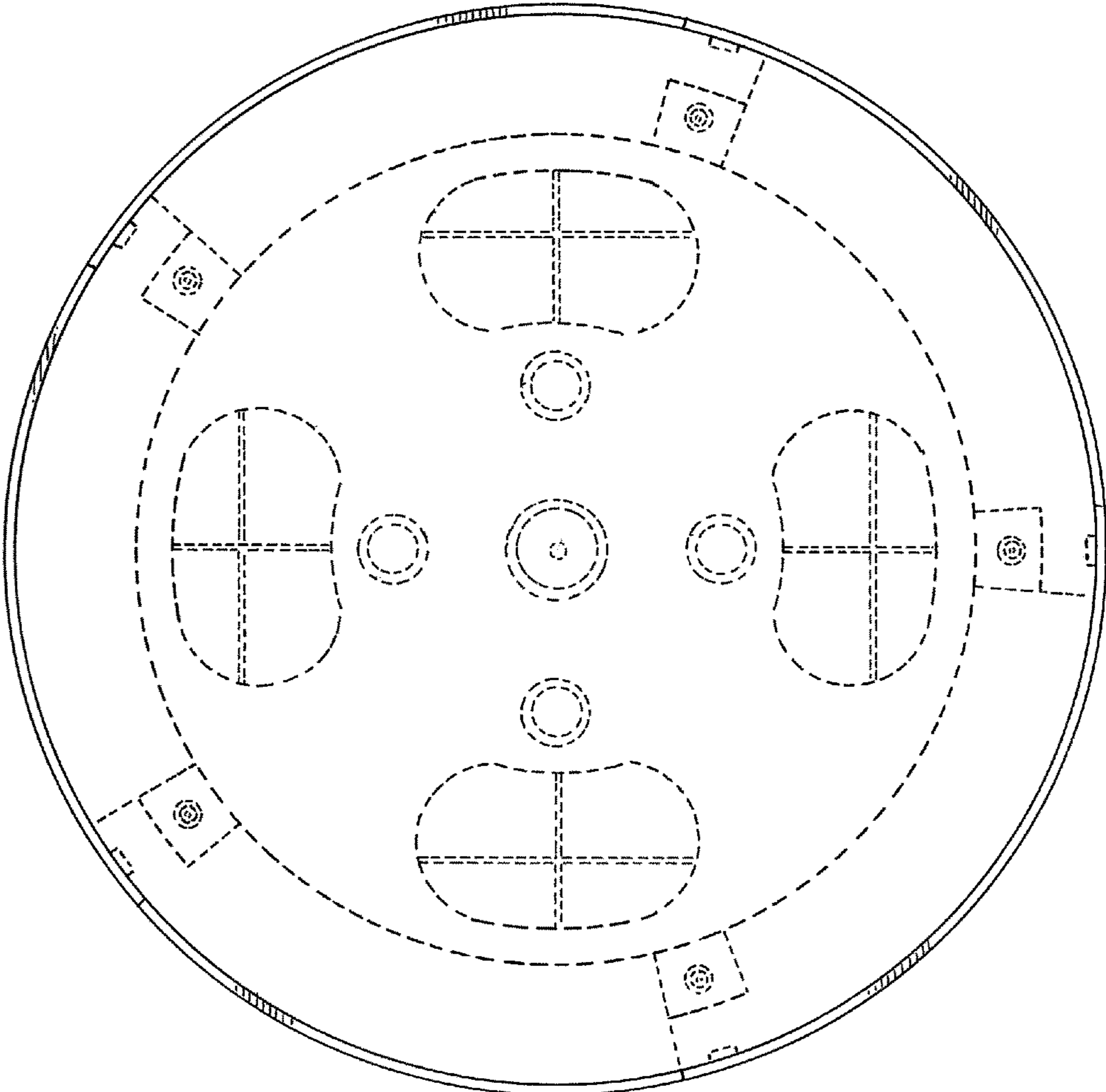


FIG. 7