



US00D736322S

(12) **United States Design Patent**
Navid

(10) **Patent No.:** **US D736,322 S**
(45) **Date of Patent:** **** Aug. 11, 2015**

(54) **GAME CONTROLLER POWER SOURCE**
(71) Applicant: **The Kong Company, LLC**, Golden, CO
(US)

D587,717 S * 3/2009 Harris D14/454
7,762,553 B2 * 7/2010 Harris 273/148 B
D706,874 S * 6/2014 Ngoy et al. D21/329
D710,945 S * 8/2014 Biheller et al. D21/333
D718,818 S * 12/2014 Sumii et al. D21/333

(72) Inventor: **Amir Navid**, Sherman Oaks, CA (US)

* cited by examiner

(73) Assignee: **Nyko Technologies, Inc.**, Los Angeles,
CA (US)

Primary Examiner — Prabhakar Deshmukh
(74) *Attorney, Agent, or Firm* — Burch Dallmann LLP

(**) Term: **14 Years**

(57) **CLAIM**

(21) Appl. No.: **29/488,949**

The ornamental design for a game controller power source, as shown and described.

(22) Filed: **Apr. 24, 2014**

DESCRIPTION

(51) **LOC (10) Cl.** **21-01**

(52) **U.S. Cl.**
USPC **D21/333**; D14/401

(58) **Field of Classification Search**
USPC D14/399–401, 412–416; D21/324, 333;
273/148 B; 463/1, 29–39, 46, 47;
345/156–161, 905
CPC A63F 13/02; A63F 9/24; A63F 9/00;
A63F 11/00
See application file for complete search history.

FIG. 1 is a left front perspective view of a game controller power source showing my new design, shown in environmental use;
FIG. 2 is a right front perspective view thereof;
FIG. 3 is a left rear perspective view thereof;
FIG. 4 is a front elevational view thereof;
FIG. 5 is a rear elevational view thereof;
FIG. 6 is a top plan view thereof;
FIG. 7 is a bottom plan view thereof; and,
FIG. 8 is a left side elevational view thereof, the right side elevational image thereof.

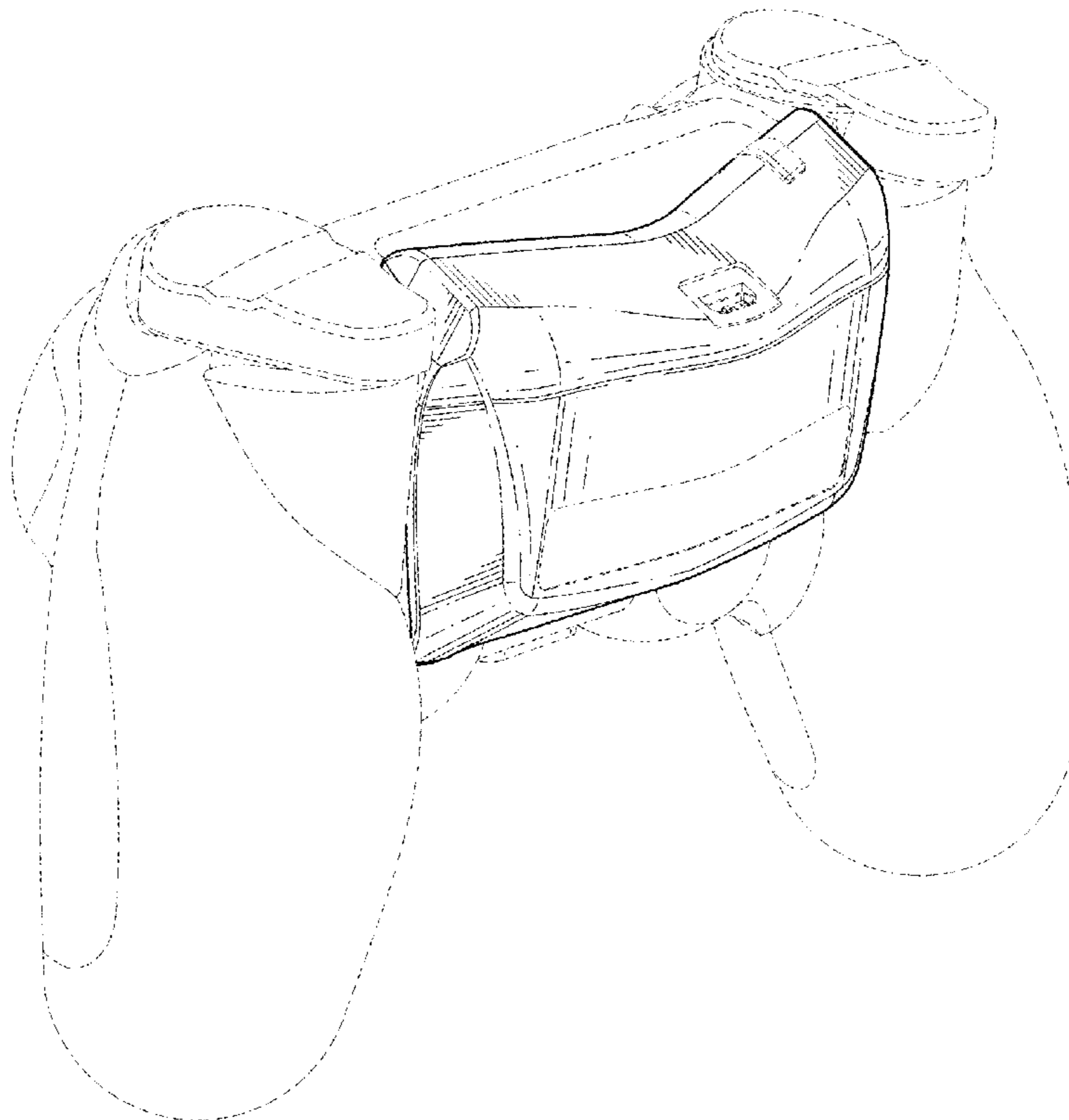
(56) **References Cited**

U.S. PATENT DOCUMENTS

D534,962 S * 1/2007 Svendsen et al. D21/333
D578,167 S * 10/2008 Harris D21/333

The broken lines are for environmental purposes only and form no part of the claimed design.

1 Claim, 4 Drawing Sheets



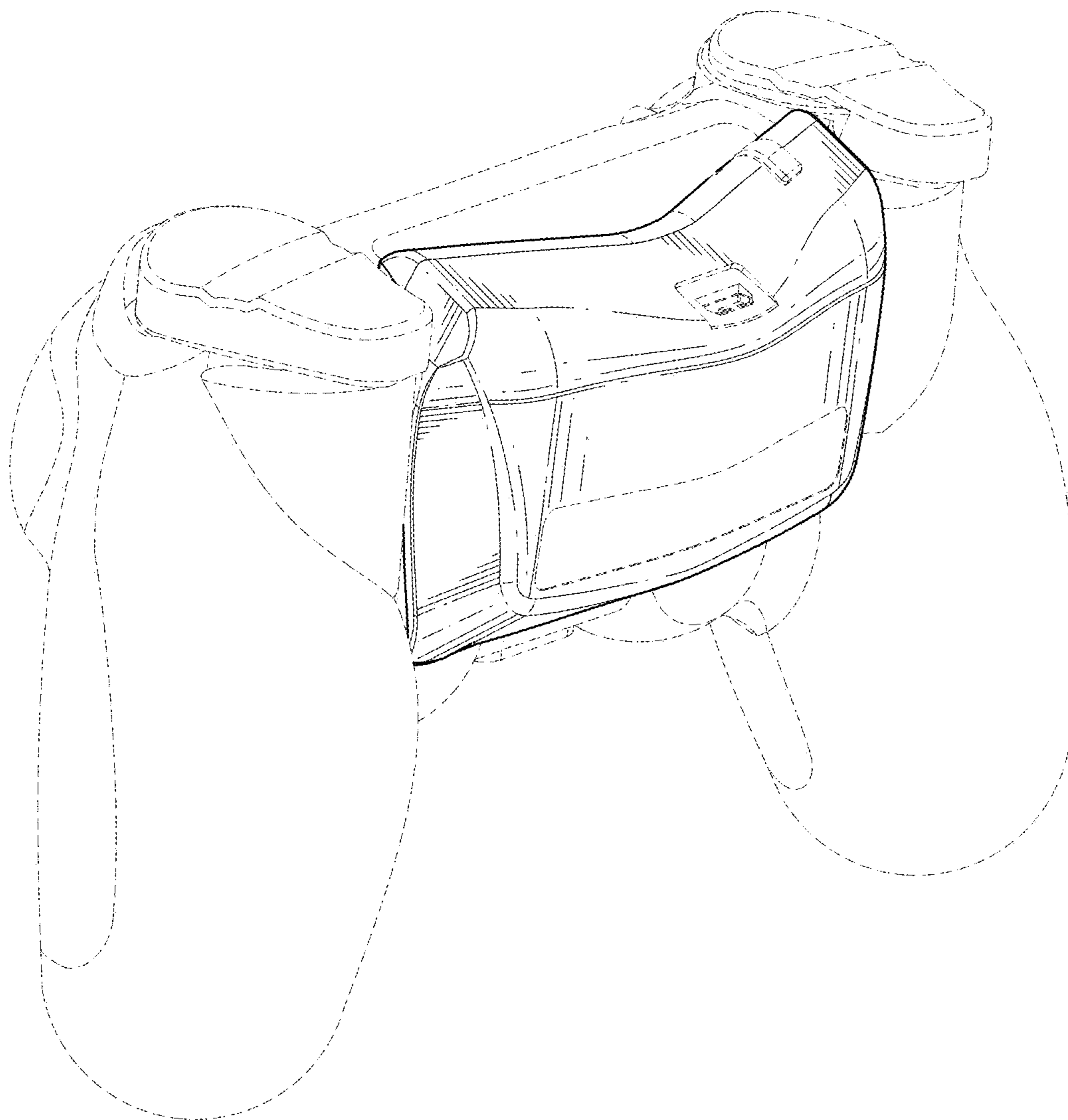


FIG. 1

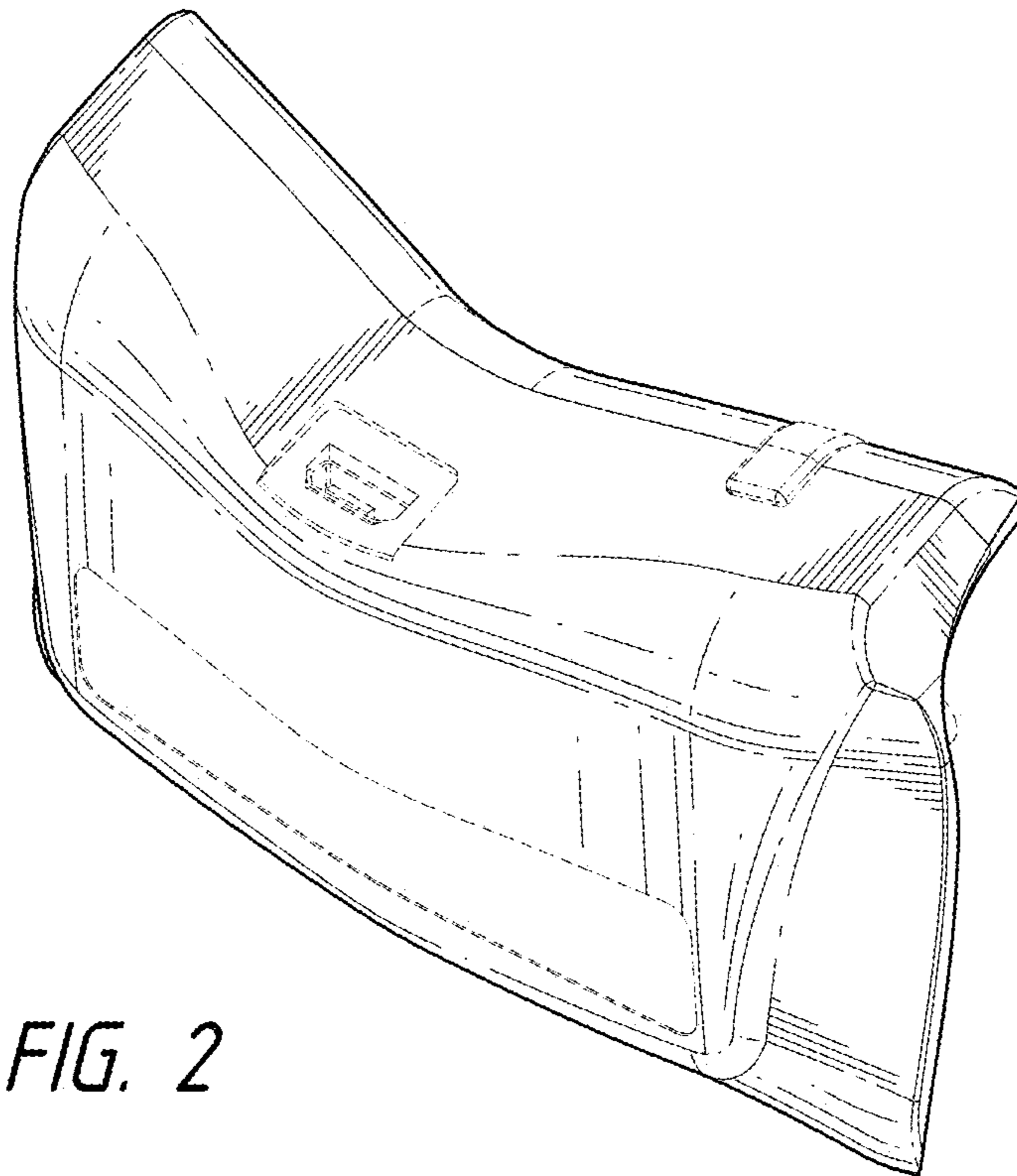


FIG. 2

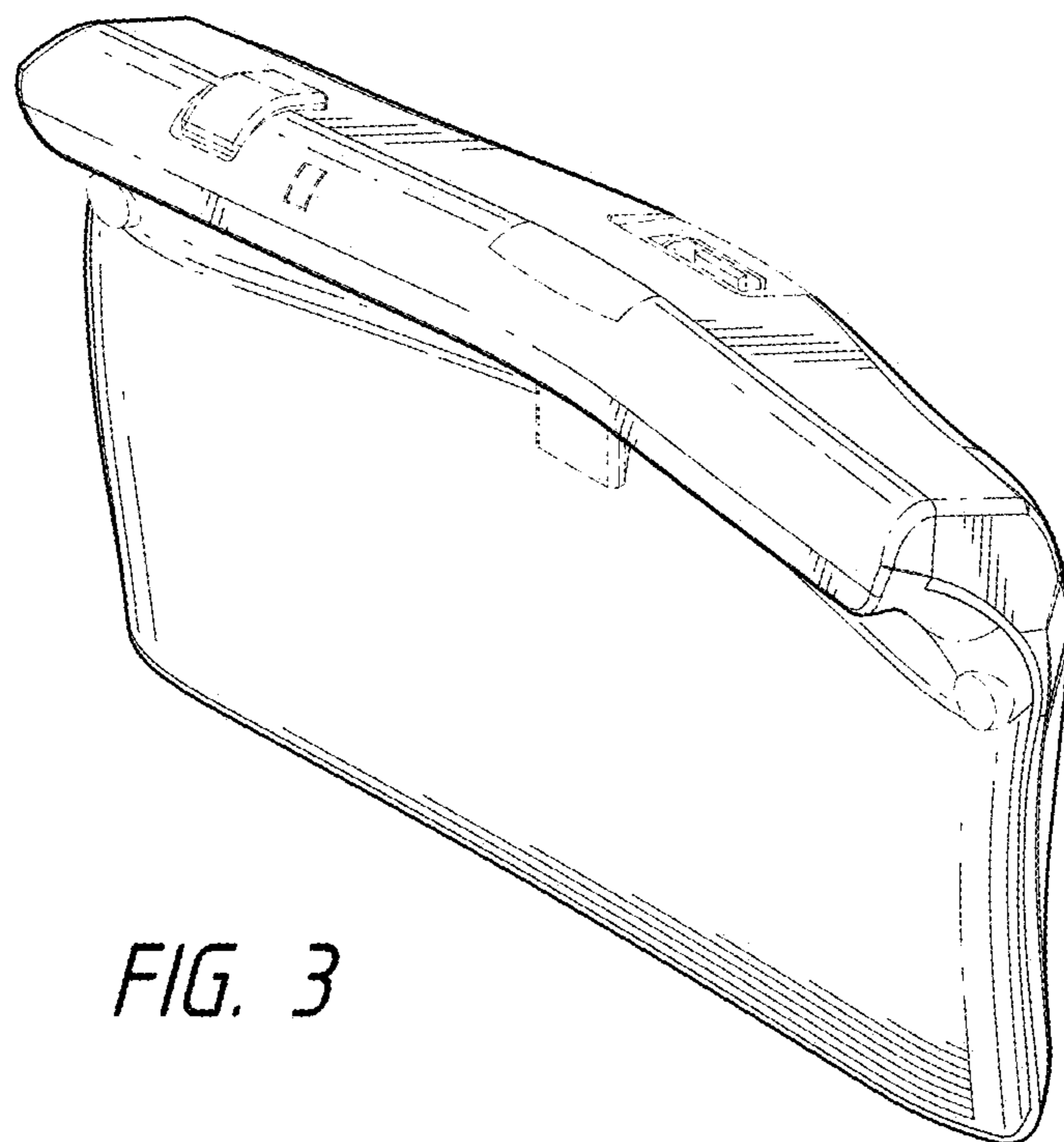


FIG. 3

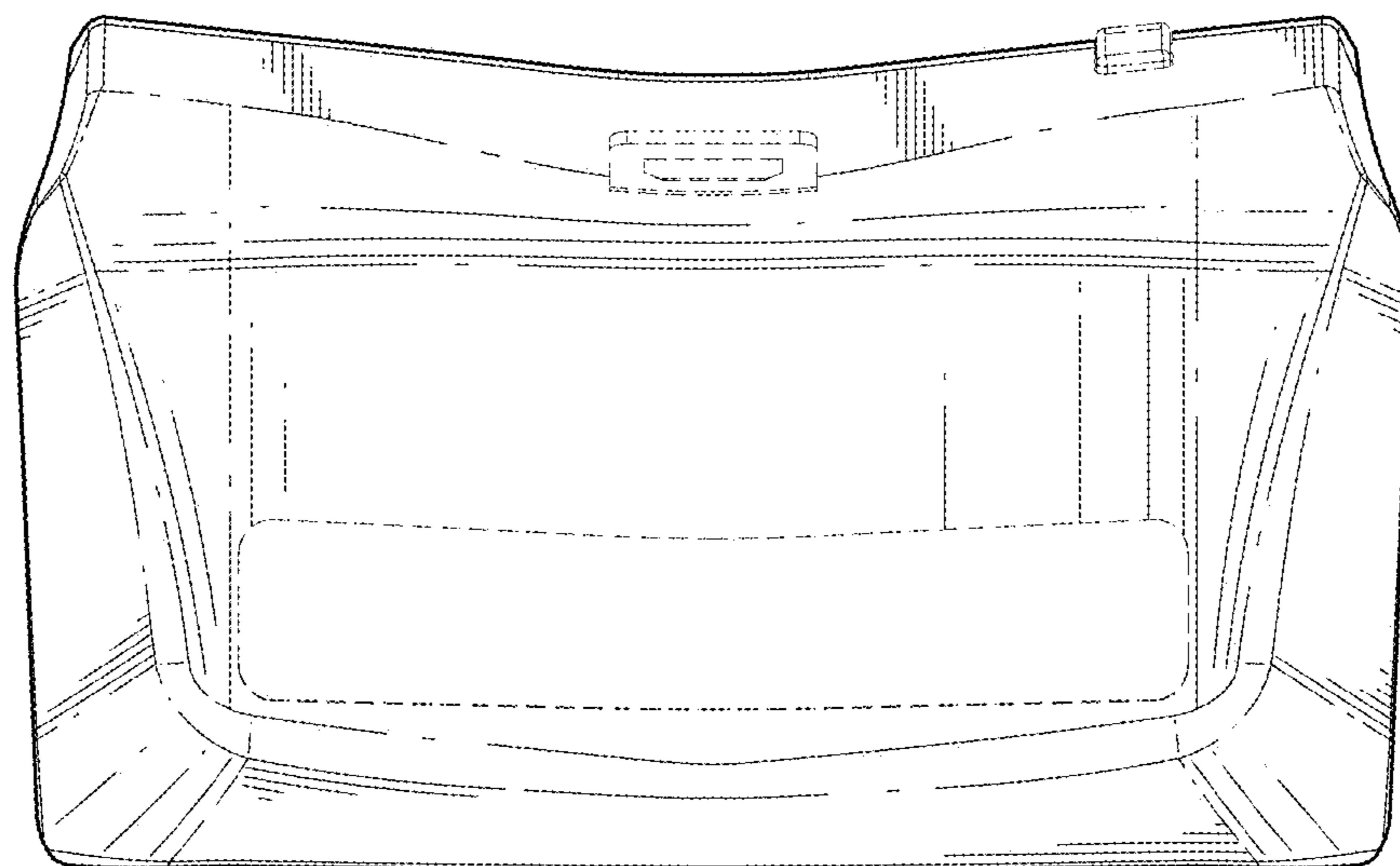


FIG. 4

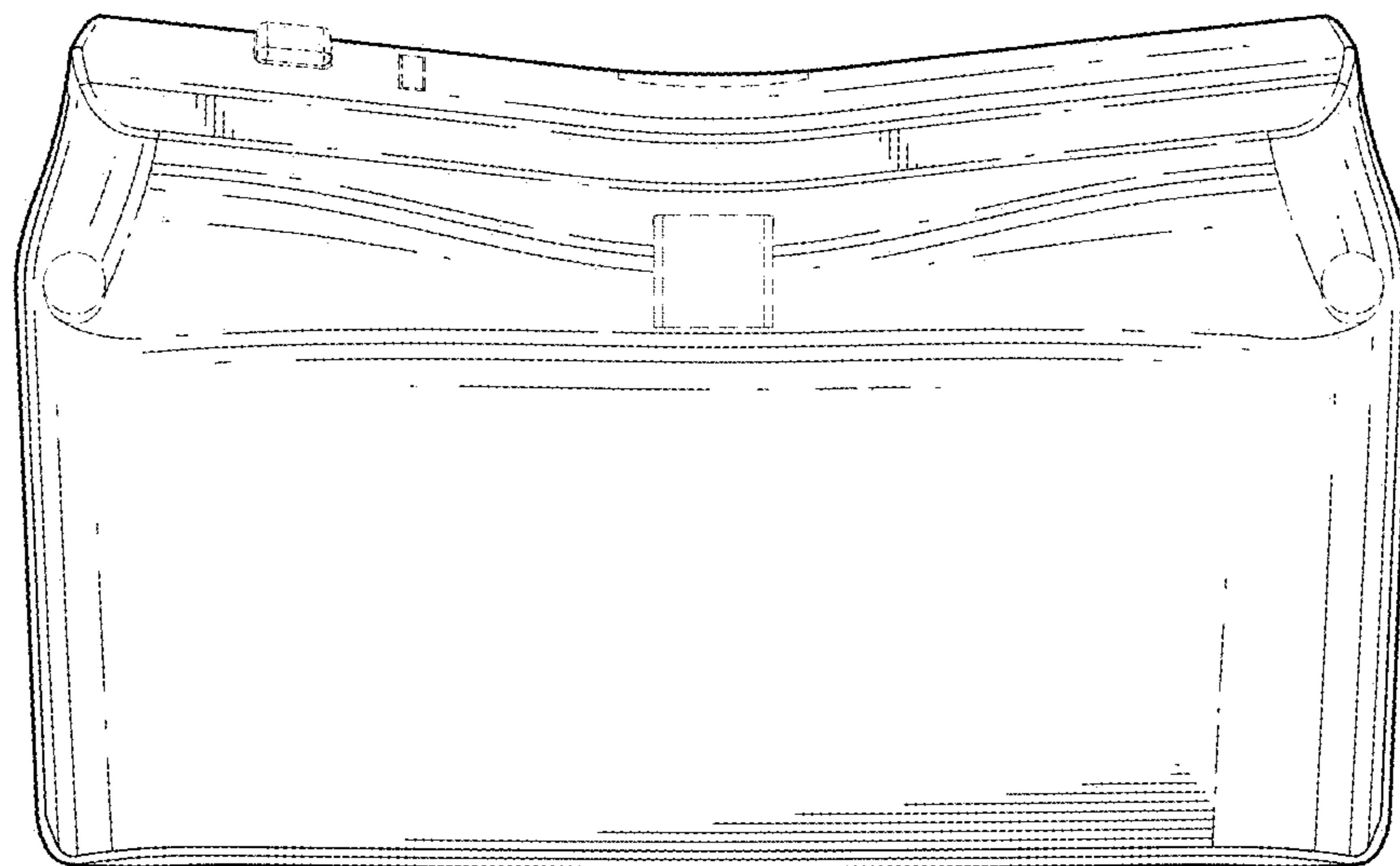


FIG. 5

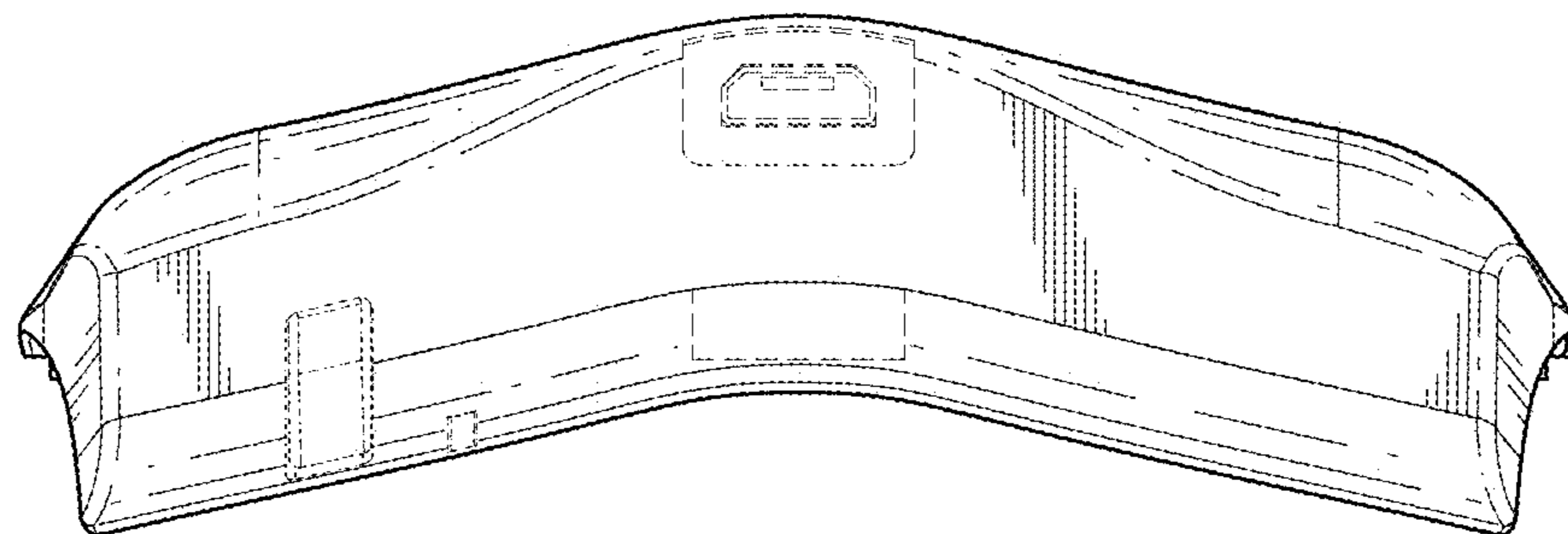


FIG. 6

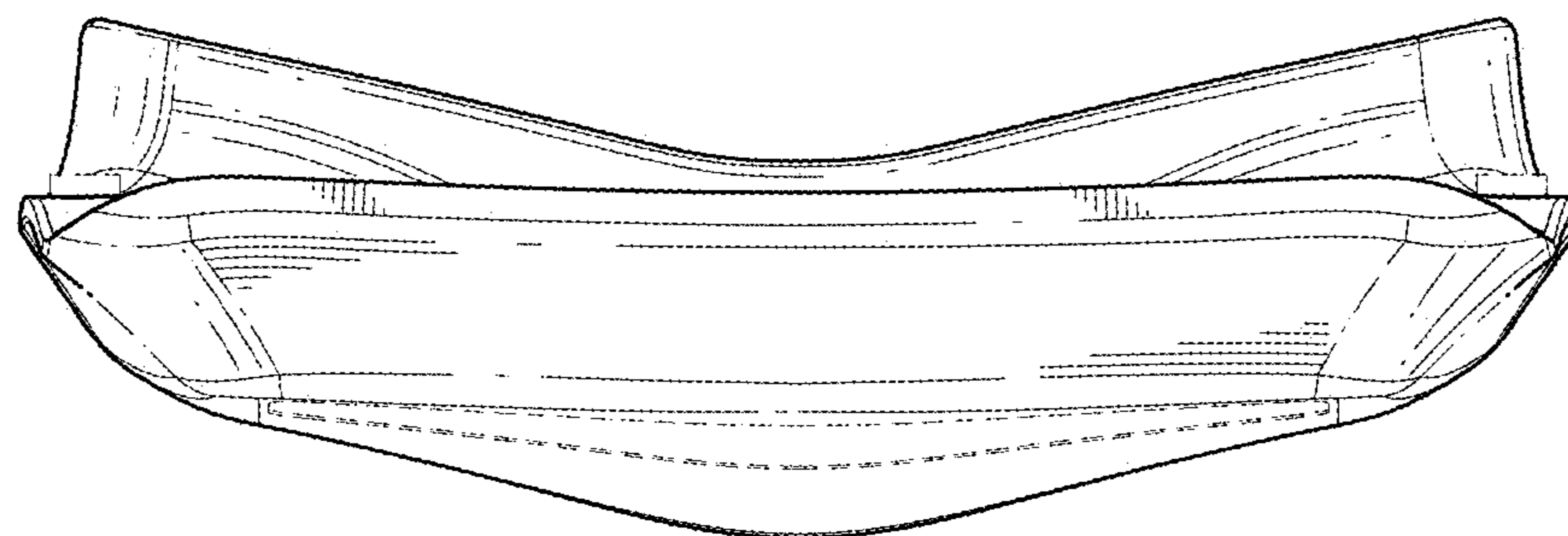


FIG. 7

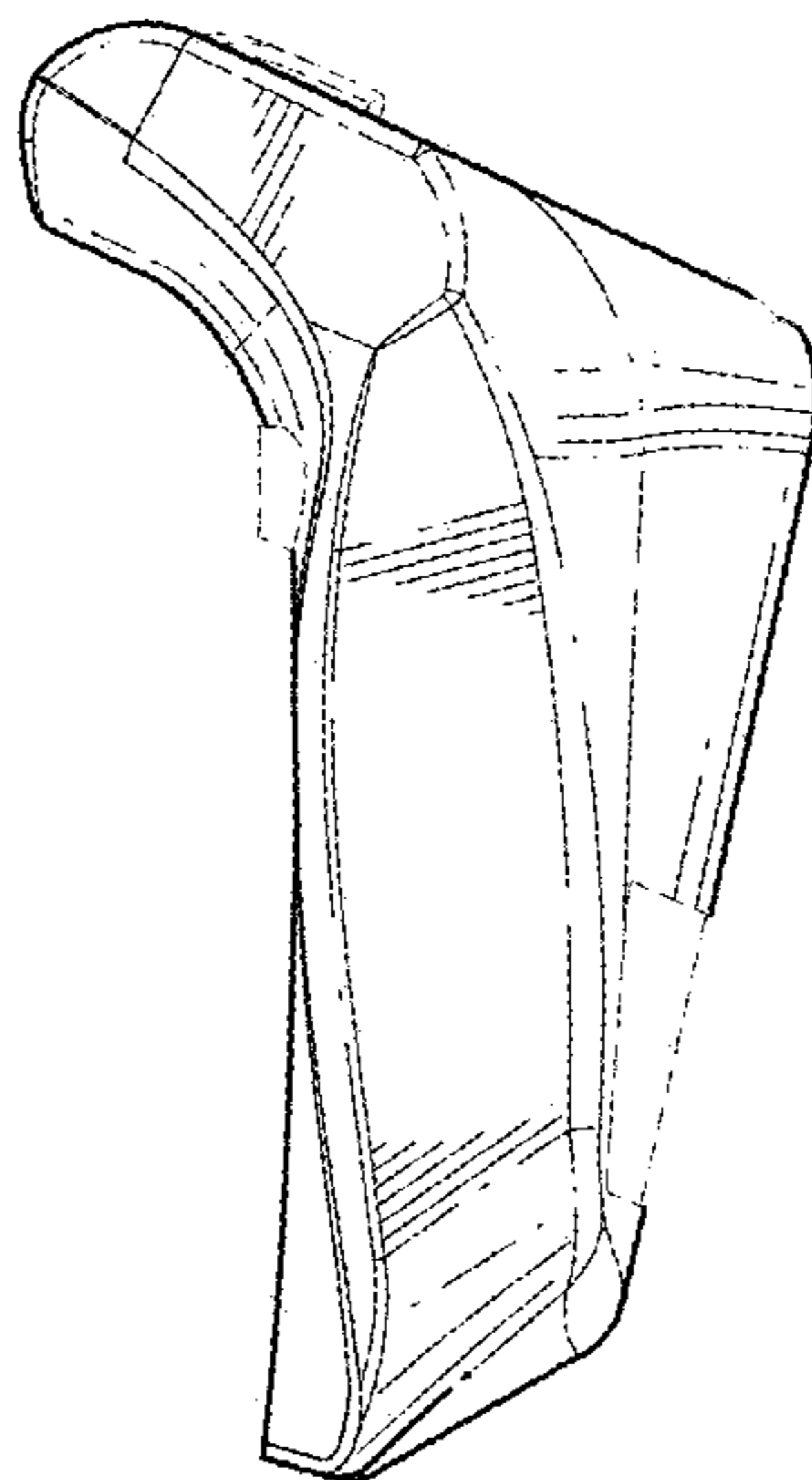


FIG. 8