



US00D736321S

(12) **United States Design Patent**  
**Shadle**

(10) **Patent No.:** **US D736,321 S**

(45) **Date of Patent:** **\*\* Aug. 11, 2015**

(54) **GAME APPARATUS**

(71) Applicant: **William Edgar Shadle**, Atlanta, GA  
(US)

(72) Inventor: **William Edgar Shadle**, Atlanta, GA  
(US)

(\*\*) Term: **14 Years**

(21) Appl. No.: **29/494,317**

(22) Filed: **Jun. 19, 2014**

(51) **LOC (10) Cl.** ..... **21-01**

(52) **U.S. Cl.**  
USPC ..... **D21/302**

(58) **Field of Classification Search**  
USPC ..... D21/300, 302, 303, 305, 334, 335;  
273/348, 336, 398-402, 407  
CPC ..... A63F 7/06; A63F 3/02; A63F 3/06;  
A63B 67/00; A63B 63/08; A63B 7/00  
See application file for complete search history.

(56) **References Cited**

**U.S. PATENT DOCUMENTS**

2,893,734	A	7/1959	Tarte	
3,703,291	A *	11/1972	Lutz	273/317.3
3,724,855	A *	4/1973	Chu	273/317.3
D235,155	S *	5/1975	Perkins	D21/305
D235,897	S *	7/1975	Brenenen	D21/702
4,013,292	A *	3/1977	Cohen et al.	273/371
4,239,223	A	12/1980	Wilson	
4,480,834	A *	11/1984	Minami	273/317.3
4,961,583	A	10/1990	Koch et al.	
5,125,651	A *	6/1992	Keeling et al.	473/448
5,288,071	A *	2/1994	Solomon	273/317.3
7,523,942	B2 *	4/2009	Chung	273/317.1
D656,200	S *	3/2012	Talbert	D21/302

8,226,087	B2	7/2012	Brustmeyer
8,651,492	B1	2/2014	Cappuccio
2003/0034611	A1	2/2003	Lacy
2004/0188942	A1	9/2004	Trokan
2010/0148434	A1	6/2010	Brustmeyer
2012/0169012	A1	7/2012	Parker et al.
2013/0175758	A1	7/2013	Lewis

**FOREIGN PATENT DOCUMENTS**

CN 202020899 11/2011

**OTHER PUBLICATIONS**

English Abstract of CN202020899, Publication Date: Nov. 2, 2011.

\* cited by examiner

*Primary Examiner* — Prabhakar Deshmukh  
(74) *Attorney, Agent, or Firm* — Millen, White, Zelano & Branigan, P.C.; William F. Nixon

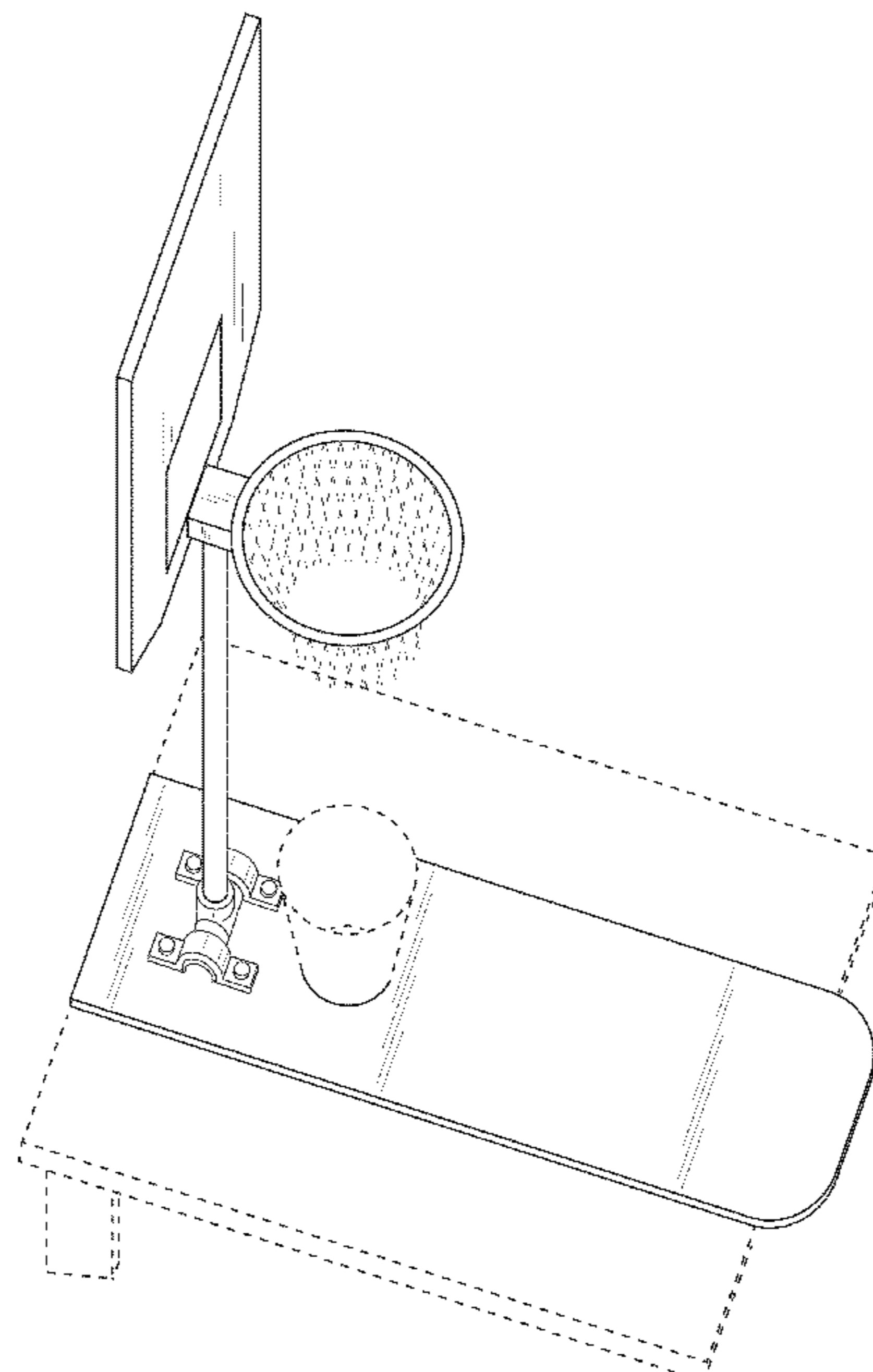
(57) **CLAIM**

The ornamental design for a game apparatus, as shown and described.

**DESCRIPTION**

FIG. 1 is a right perspective view of a game apparatus showing my new design;  
FIG. 2 is a front view thereof;  
FIG. 3 is a back view thereof;  
FIG. 4 is a right side view thereof;  
FIG. 5 is a left side view thereof;  
FIG. 6 is a top view thereof; and,  
FIG. 7 is a bottom view thereof.  
The broken lines shown throughout the views represent the portions of the game apparatus that form no part of the claimed design.

**1 Claim, 7 Drawing Sheets**



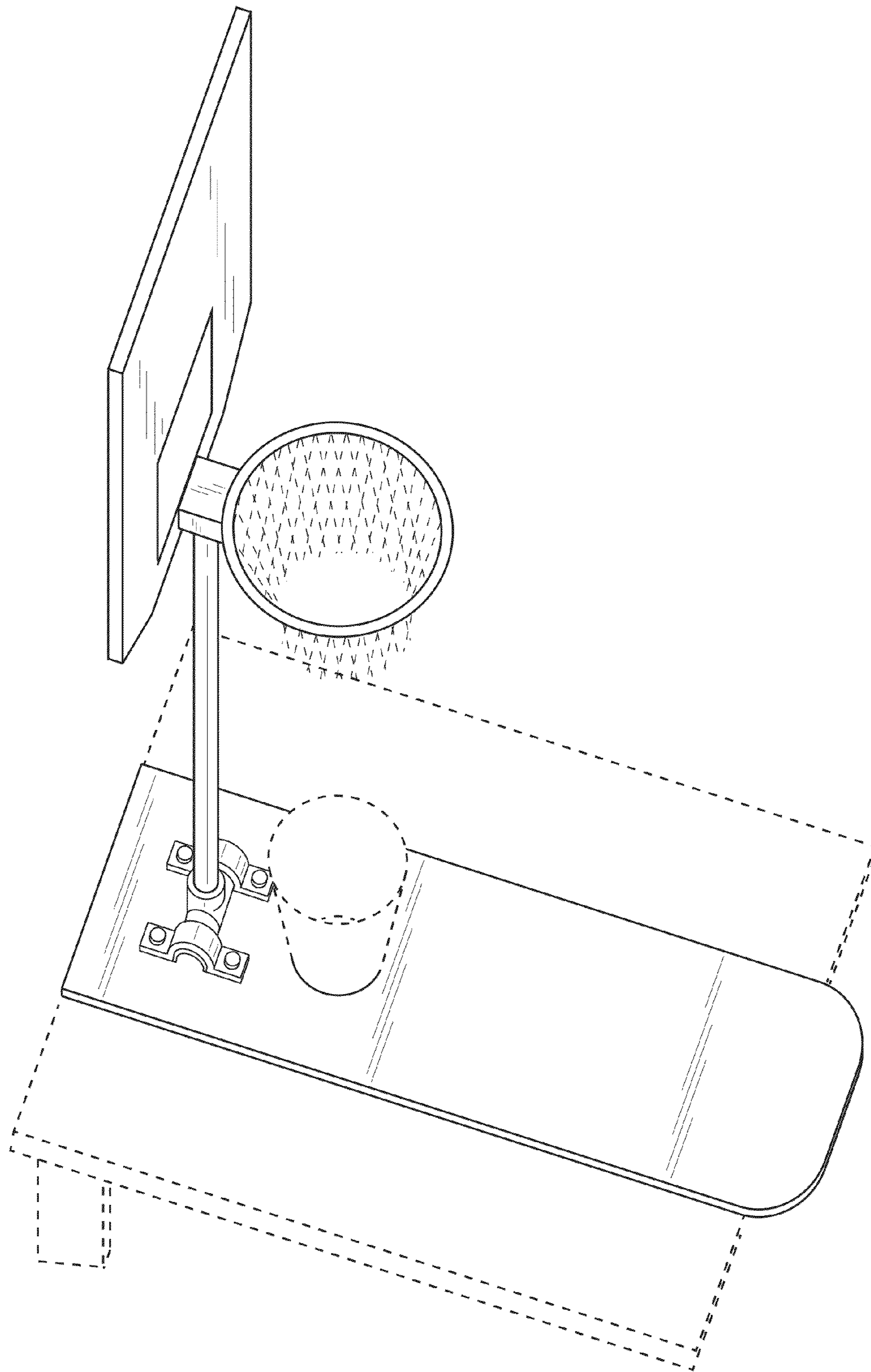


FIG. 1

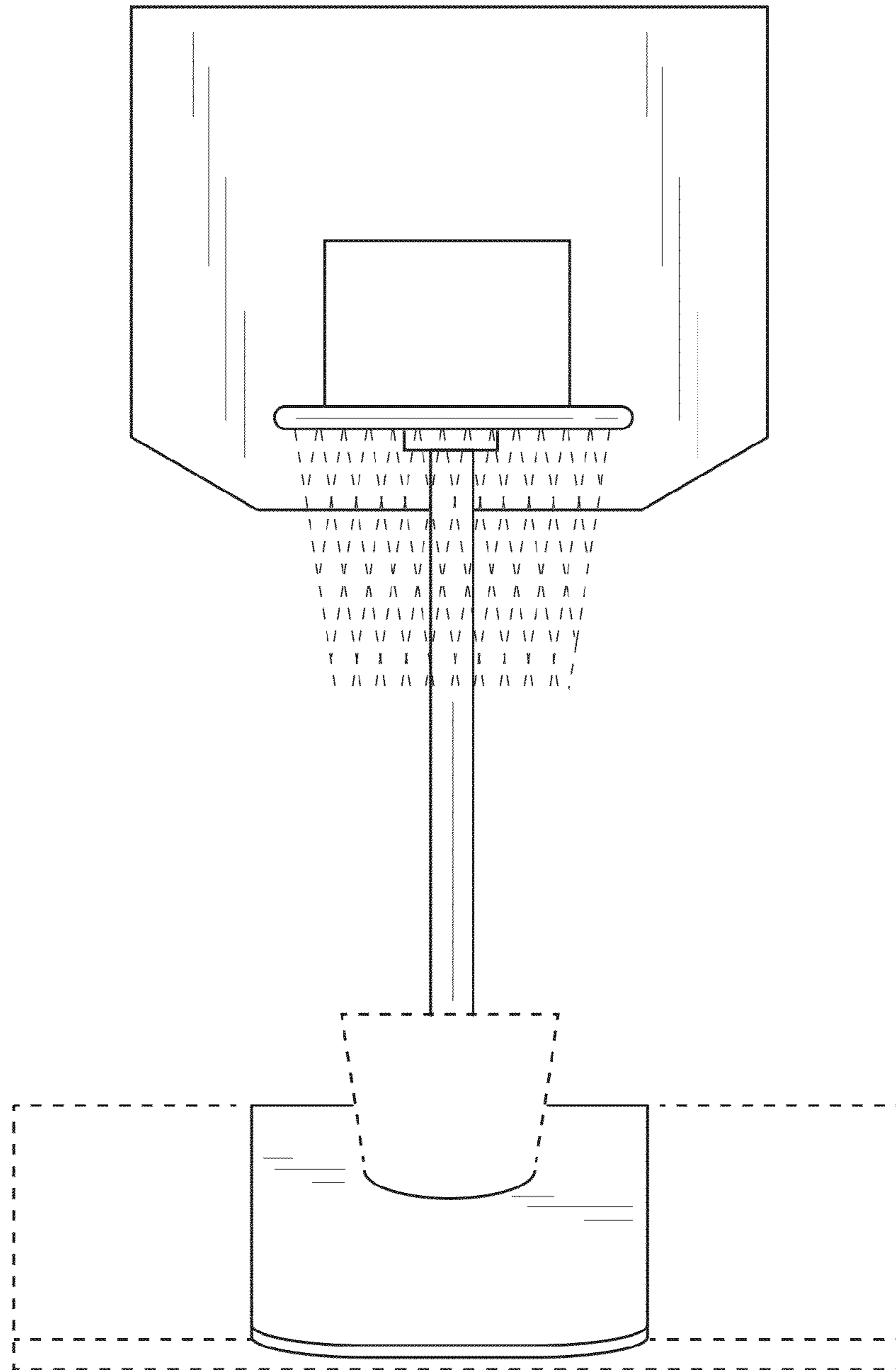


FIG. 2

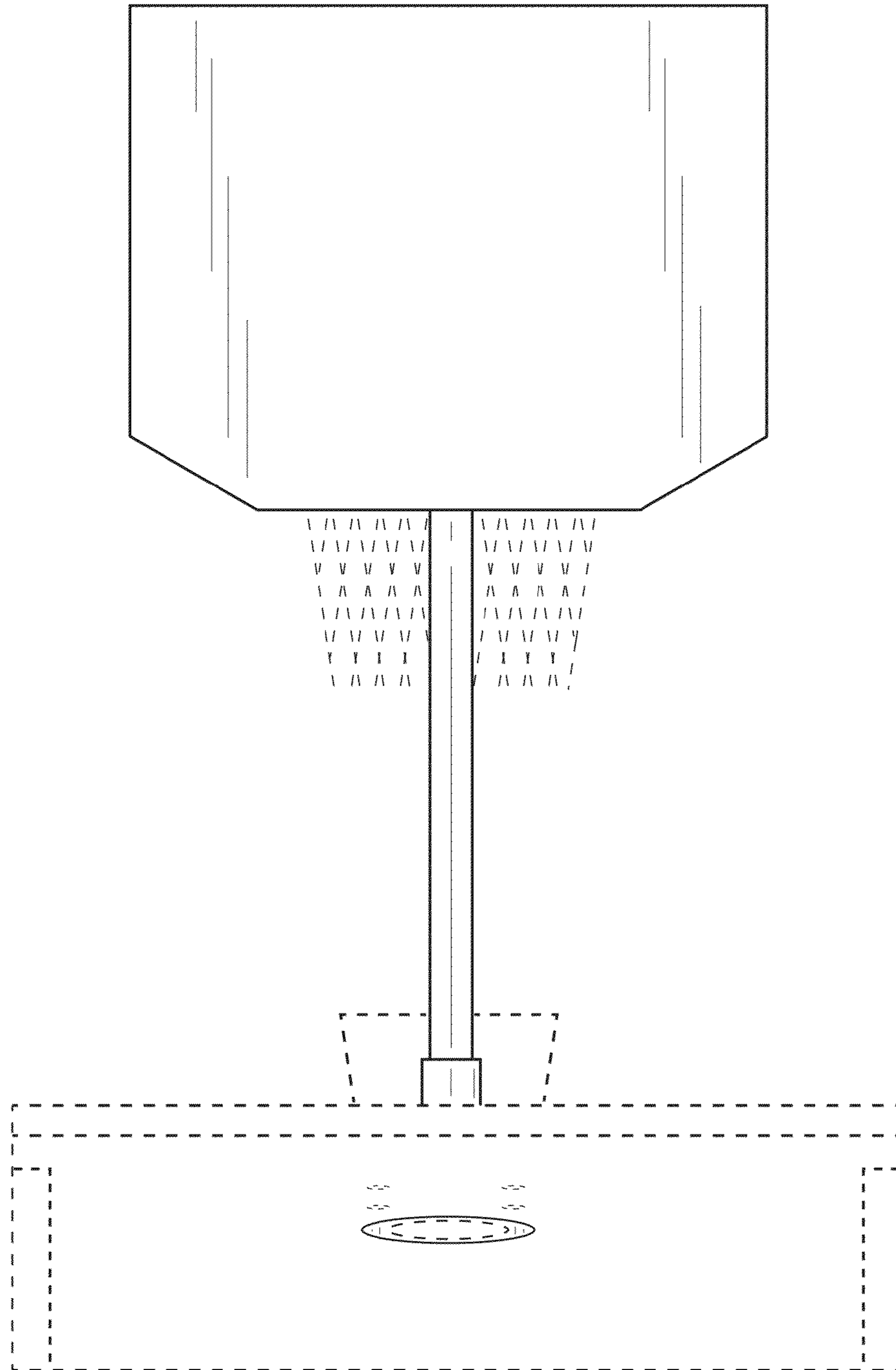


FIG.3

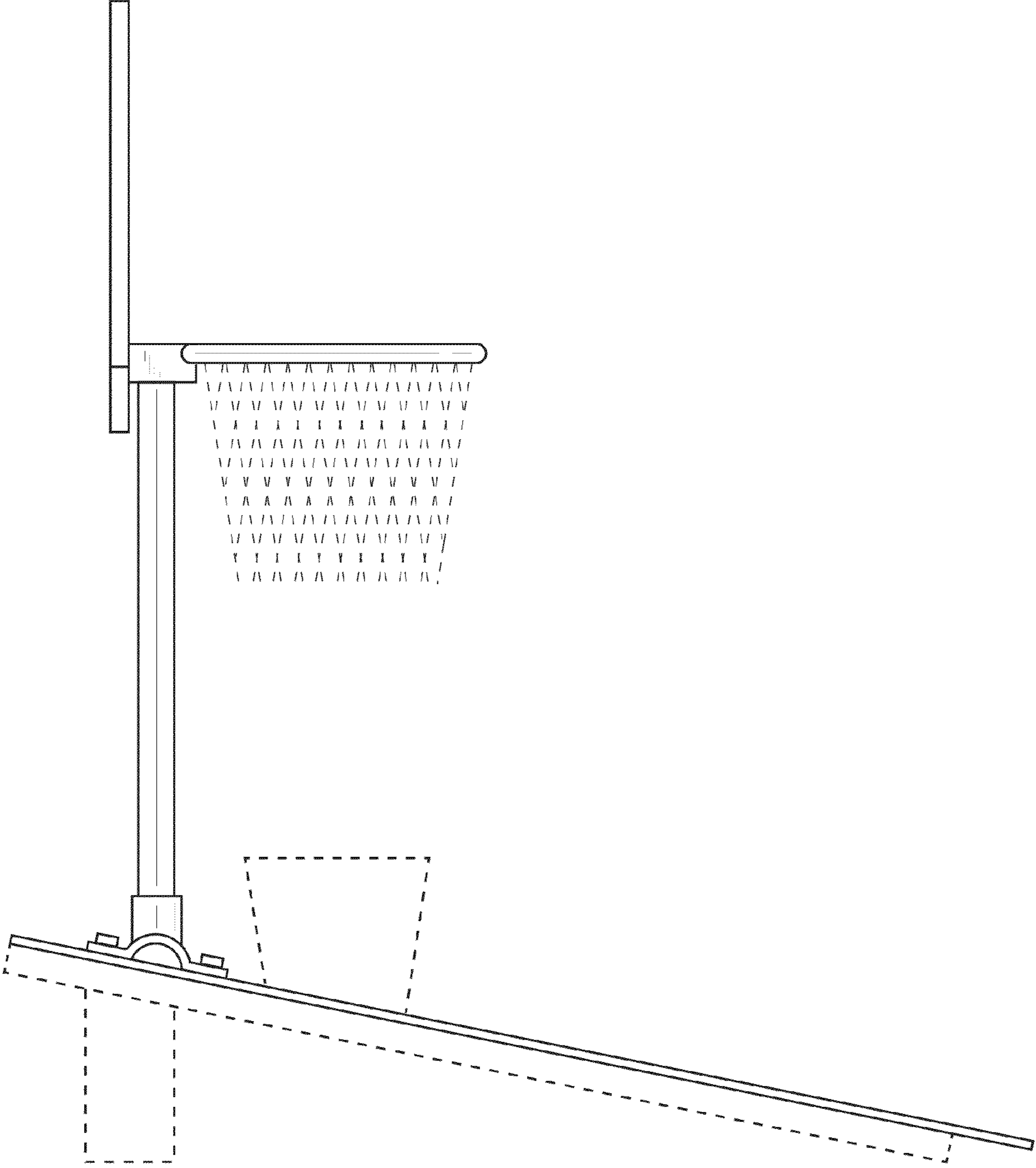


FIG.4

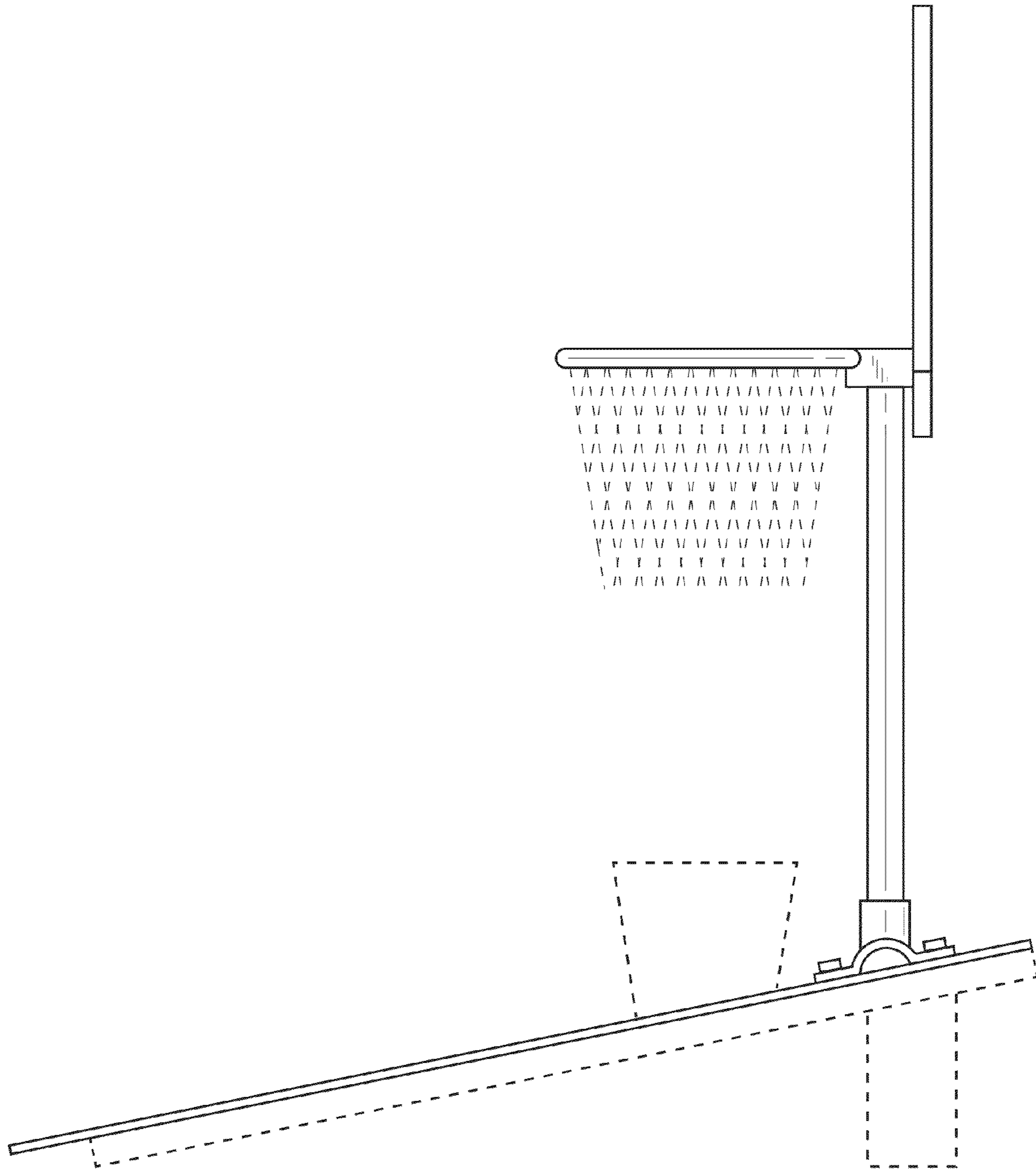


FIG.5

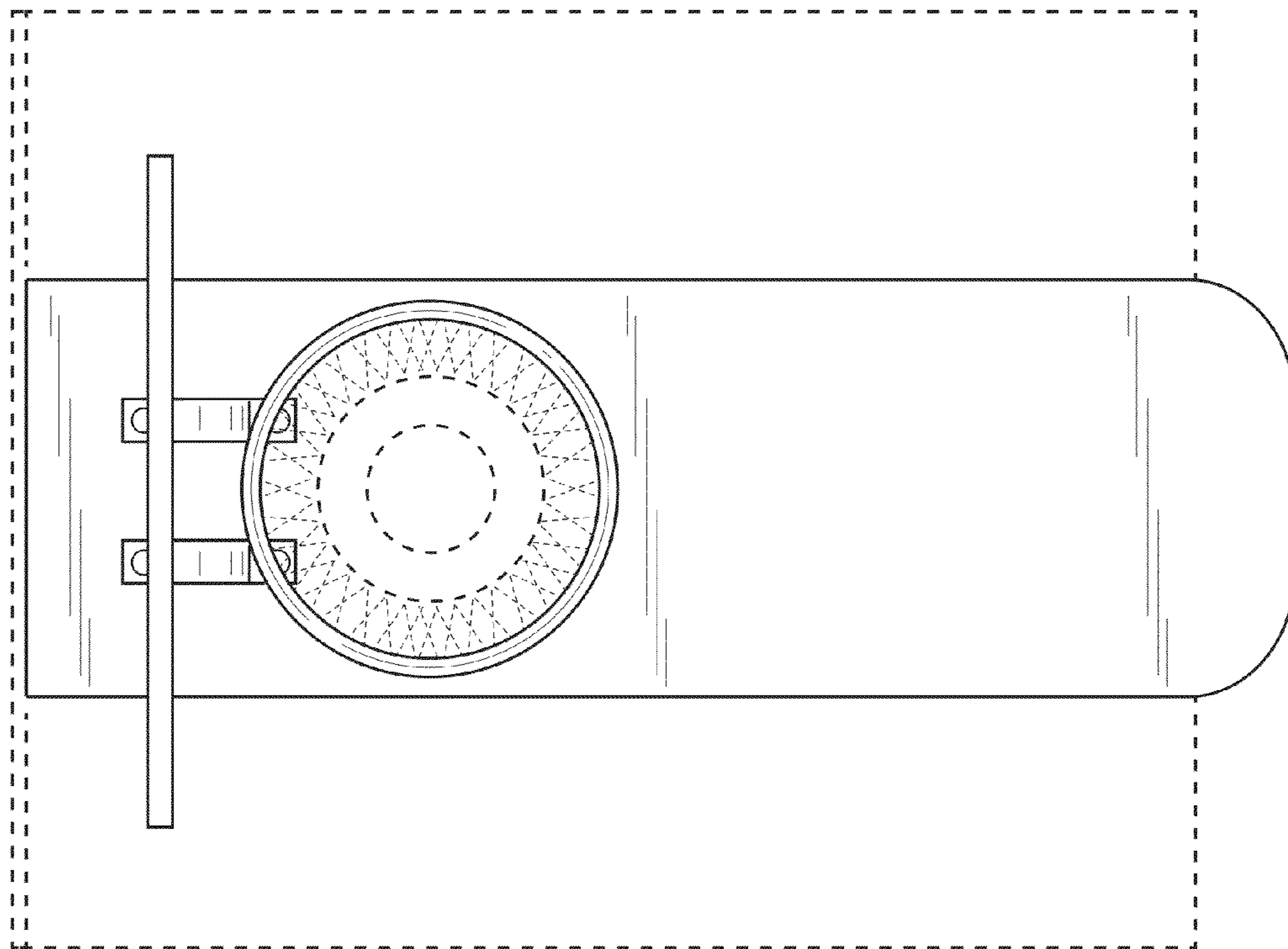


FIG.6

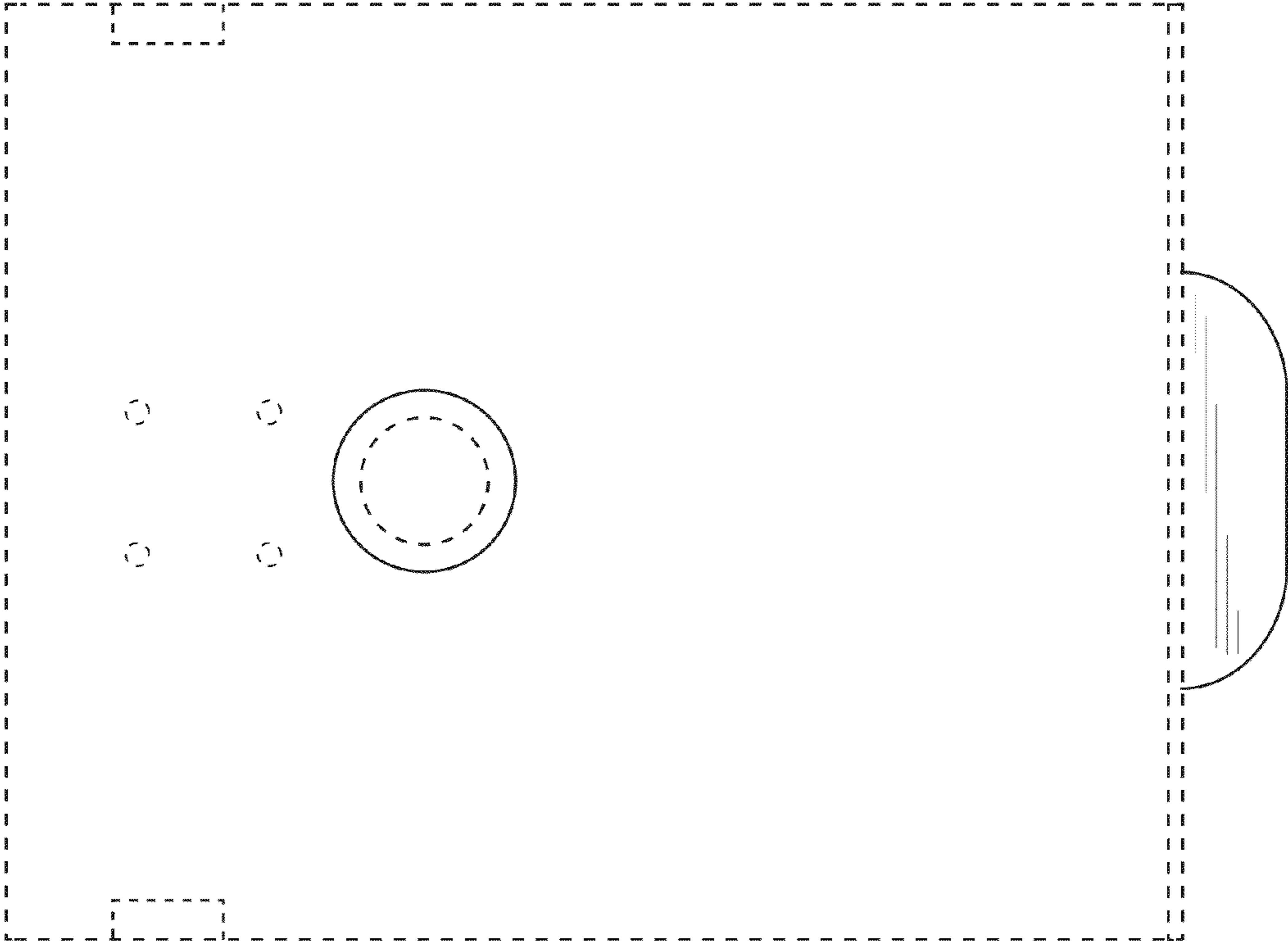


FIG.7