

US00D736320S

(12) **United States Design Patent**
Shadle

(10) **Patent No.:** **US D736,320 S**

(45) **Date of Patent:** **** Aug. 11, 2015**

(54) **GAME APPARATUS**

(71) Applicant: **William Edgar Shadle**, Atlanta, GA
(US)

(72) Inventor: **William Edgar Shadle**, Atlanta, GA
(US)

(**) Term: **14 Years**

(21) Appl. No.: **29/494,173**

(22) Filed: **Jun. 18, 2014**

(51) **LOC (10) Cl.** **21-01**

(52) **U.S. Cl.**
USPC **D21/302**

(58) **Field of Classification Search**
USPC D21/300, 302, 303, 305, 334, 335;
273/348, 336, 398-402, 407
CPC A63F 7/06; A63F 3/02; A63F 3/06;
A63B 67/00; A63B 63/08; A63B 7/00
See application file for complete search history.

(56) **References Cited**

U.S. PATENT DOCUMENTS

2,893,734	A	7/1959	Tarte, Jr.	
D235,155	S *	5/1975	Perkins	D21/305
3,958,806	A *	5/1976	Brown	273/317.3
4,022,473	A *	5/1977	Foley	273/265
4,239,223	A	12/1980	Wilson	
4,961,583	A	10/1990	Koch et al.	
D405,123	S *	2/1999	Dekeyser et al.	D21/303
7,325,807	B1 *	2/2008	Eason	273/342
D600,286	S *	9/2009	Pruitt	D21/303
8,028,995	B2 *	10/2011	Hoffer	273/342
D656,199	S *	3/2012	Kaylor et al.	D21/300
8,146,921	B2 *	4/2012	Lombardi	273/342
8,226,087	B2	7/2012	Brustmeyer	

8,651,492	B1	2/2014	Cappuccio	
D721,404	S *	1/2015	Pagliari et al.	D21/303
2003/0034611	A1	2/2003	Lacy	
2004/0188942	A1	9/2004	Trokan	
2012/0169012	A1	7/2012	Parker et al.	
2013/0175758	A1	7/2013	Lewis	

FOREIGN PATENT DOCUMENTS

CN 202020899 U 11/2011

OTHER PUBLICATIONS

English Translation Abstract of CN 202020899 published Nov. 2, 2011.

* cited by examiner

Primary Examiner — Prabhakar Deshmukh
(74) *Attorney, Agent, or Firm* — Millen, White, Zelano & Branigan, P.C.; William F. Nixon

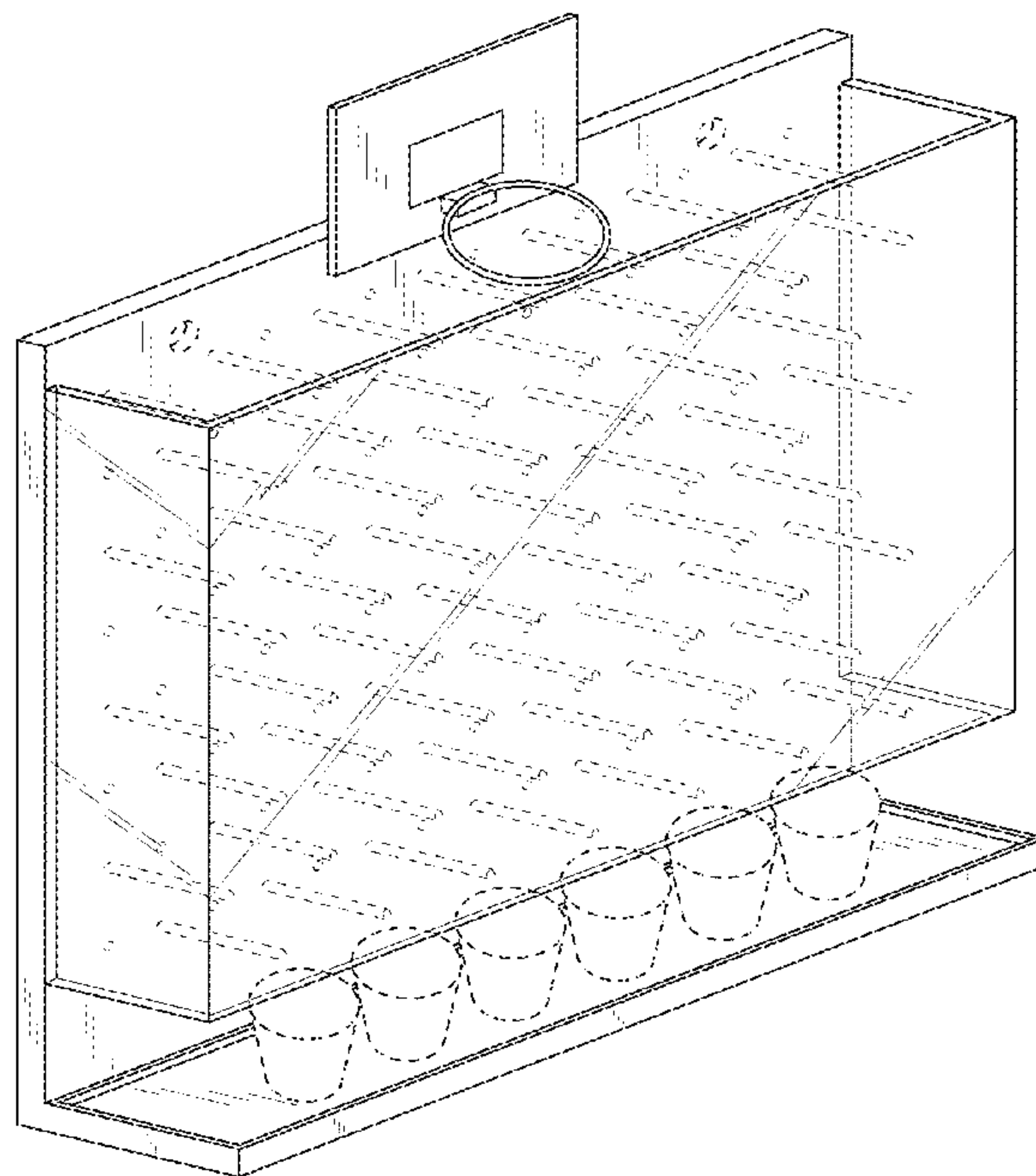
(57) **CLAIM**

The ornamental design for a game apparatus, as shown and described.

DESCRIPTION

FIG. 1 is a right perspective view of a game apparatus showing my new design;
FIG. 2 is a front view thereof;
FIG. 3 is a back view thereof;
FIG. 4 is a right side view thereof;
FIG. 5 is a left side view thereof;
FIG. 6 is a top view thereof; and,
FIG. 7 is a bottom view thereof.
The broken lines shown throughout the views represent the portions of the game apparatus that form no part of the claimed design.

1 Claim, 5 Drawing Sheets



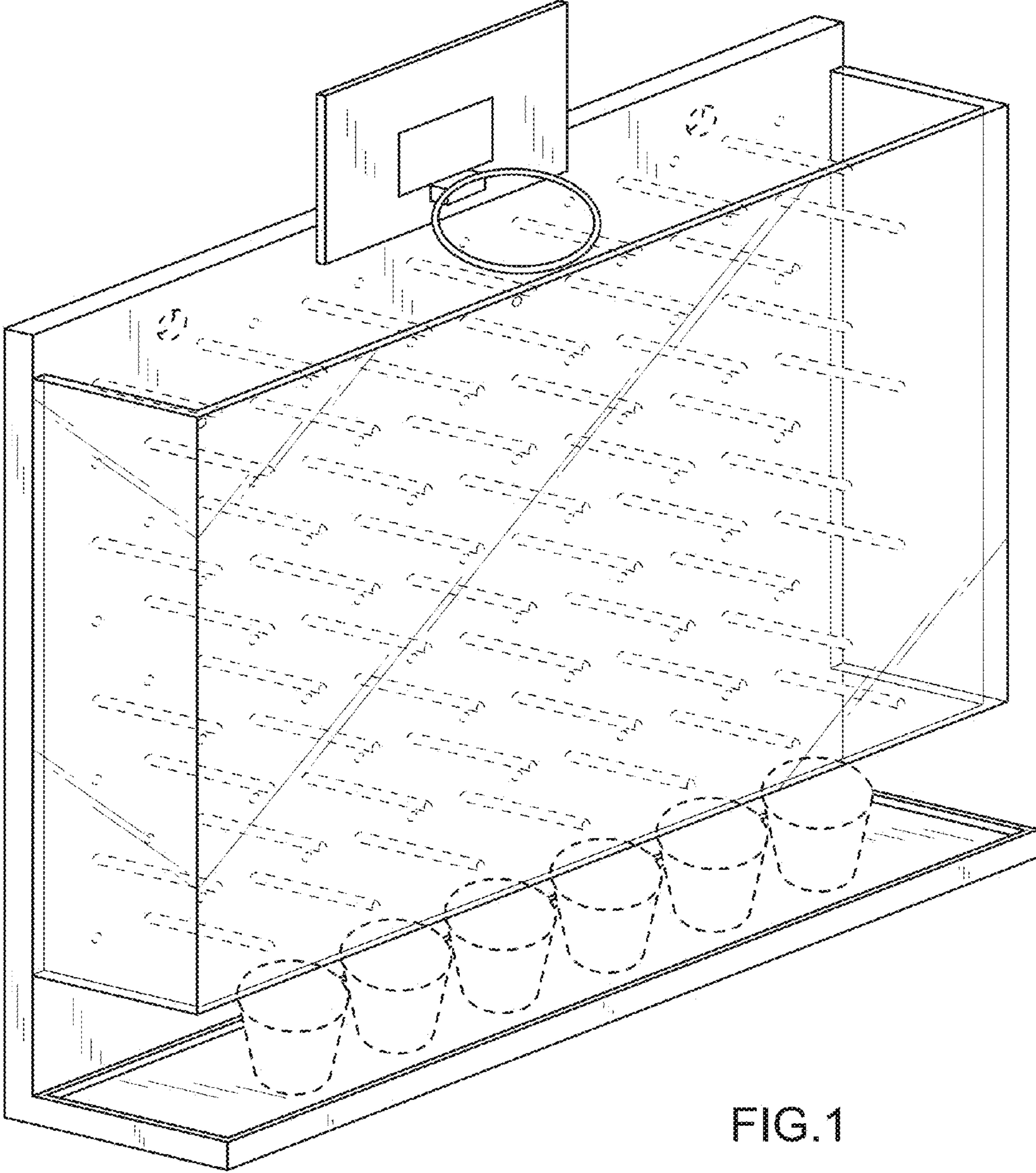


FIG.1

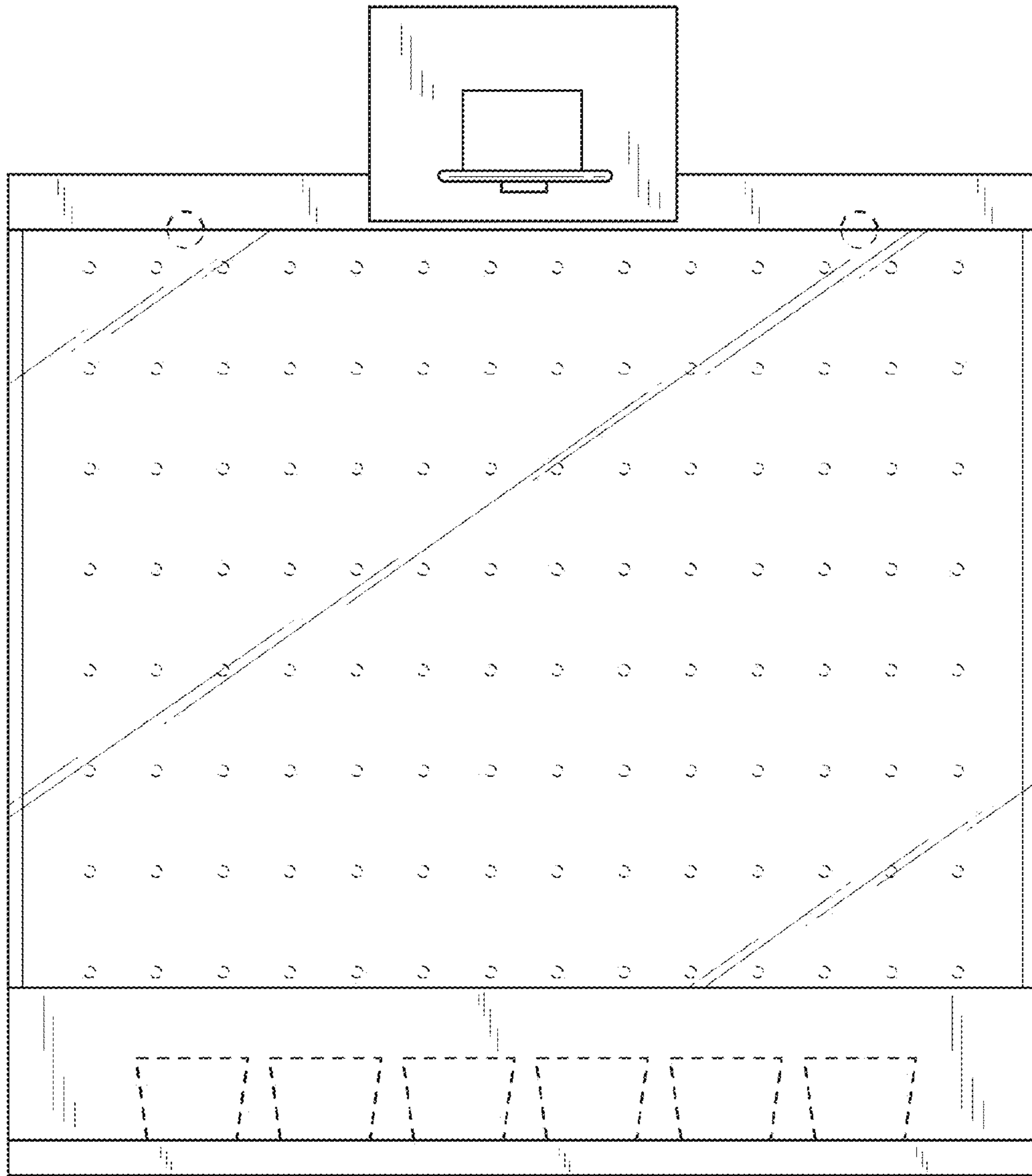


FIG.2

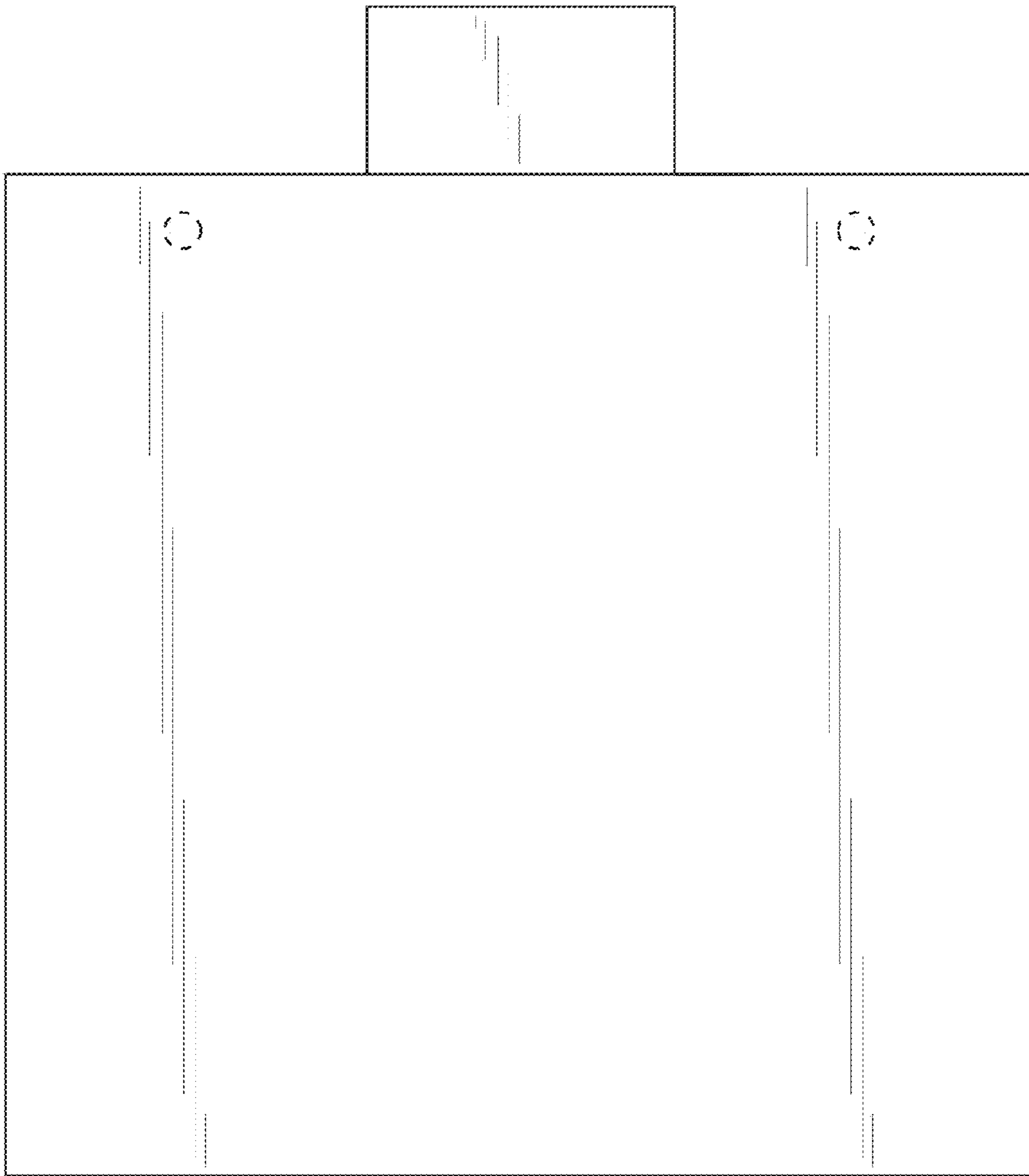


FIG.3

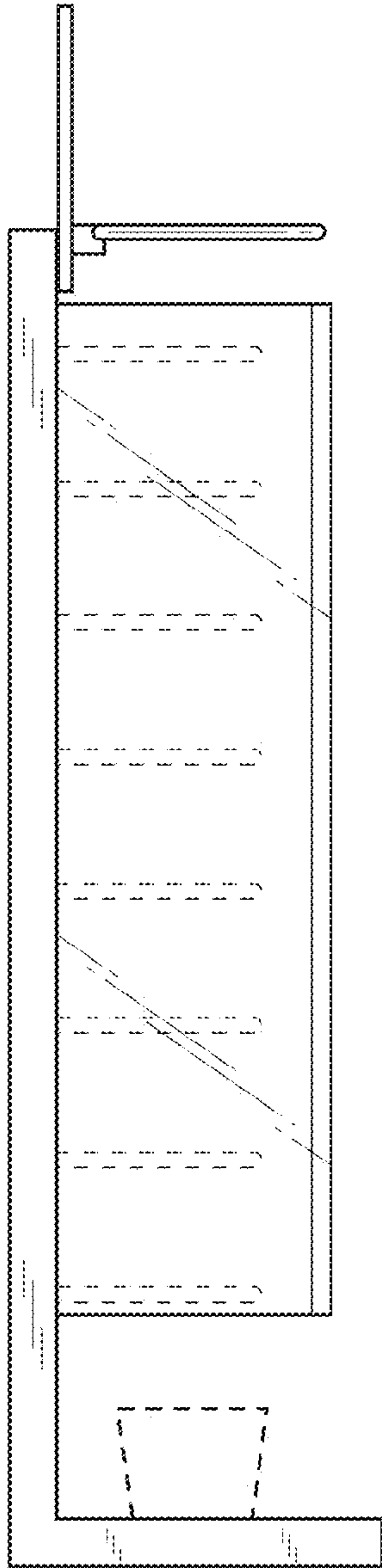


FIG. 4

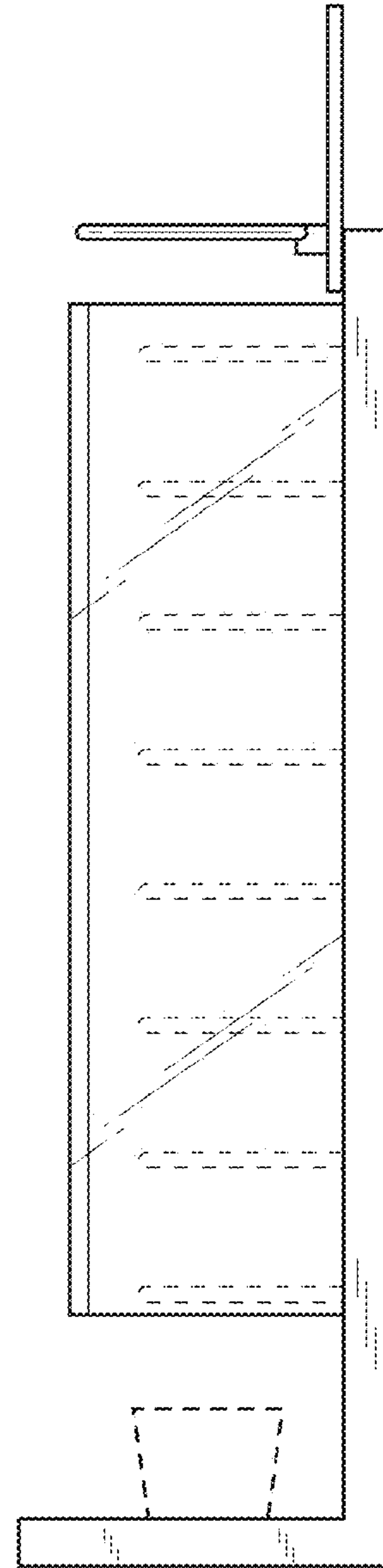


FIG. 5

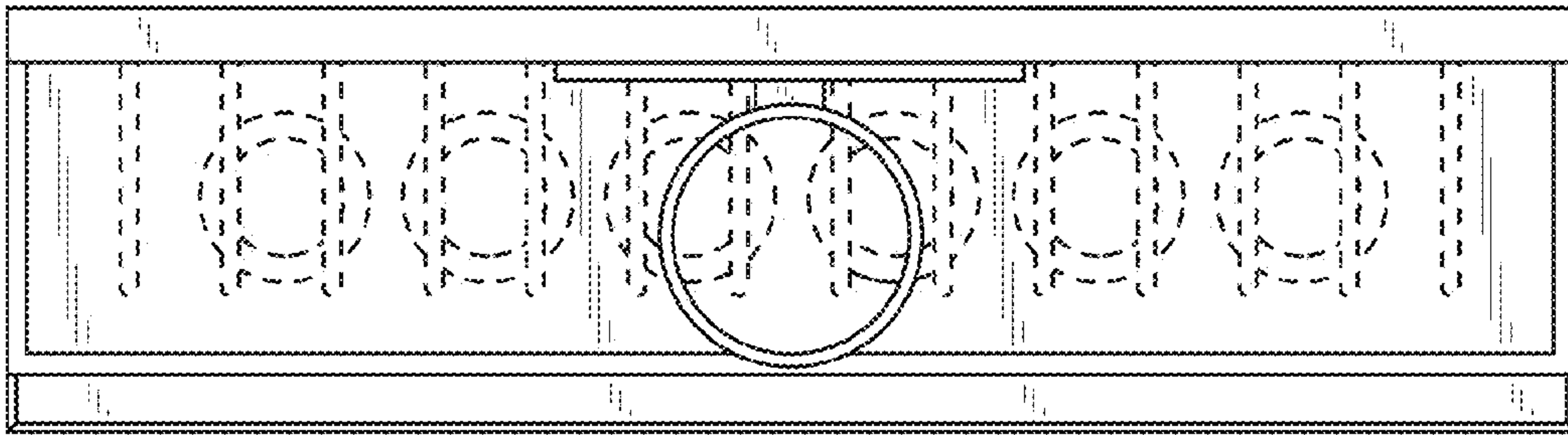


FIG. 6

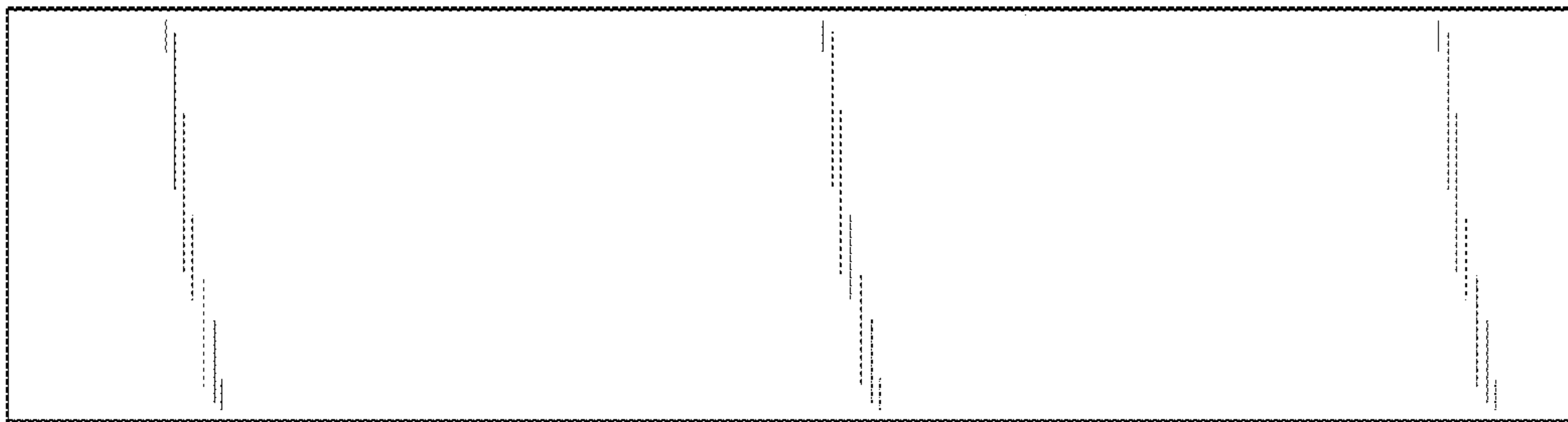


FIG. 7