



US00D736318S

(12) **United States Design Patent**
Seki

(10) **Patent No.:** **US D736,318 S**

(45) **Date of Patent:** **** Aug. 11, 2015**

(54) **BEZEL FOR A DOCUMENT VALIDATOR**

(56) **References Cited**

(71) Applicant: **JAPAN CASH MACHINE CO., LTD.**,
Osaka (JP)

U.S. PATENT DOCUMENTS

(72) Inventor: **Toru Seki**, Tokyo (JP)

4,159,054 A *	6/1979	Yoshida	194/350
D359,765 S *	6/1995	Izawa	D20/9
D498,795 S *	11/2004	Nunn	D20/8
D506,509 S *	6/2005	Nunn	D20/9
D644,682 S *	9/2011	Gerlier et al.	D18/3.3
D689,555 S *	9/2013	Theobald	D20/8
D694,334 S *	11/2013	Theobald	D20/8
2008/0099547 A1 *	5/2008	Androsyuk et al.	232/13
2009/0206101 A1 *	8/2009	Friesen et al.	221/12

(73) Assignee: **Japan Cash Machine Co., Ltd.**, Tokyo
(JP)

(**) Term: **14 Years**

* cited by examiner

(21) Appl. No.: **29/498,226**

Primary Examiner — Mary Ann Calabrese

(22) Filed: **Aug. 1, 2014**

(74) *Attorney, Agent, or Firm* — Bachman & LaPointe, P.C.

(51) **LOC (10) Cl.** **20-01**

(57) **CLAIM**

The ornamental design for a bezel for a document validator,
as shown and described.

(52) **U.S. Cl.**

DESCRIPTION

USPC **D20/8**

(58) **Field of Classification Search**

USPC D20/1-9; D18/3.2, 3.3, 12.1; D99/28;
194/236, 239, 302, 350; 232/1 D, 7, 10,
232/12, 43.2, 64; 271/10.01, 147; 221/3,
221/12, 13, 110, 124, 140, 150 R, 150 A,
221/150 HC, 155, 156, 159, 190, 231, 311
CPC G07F 7/04; G07F 9/02; G07F 9/026;
G07F 9/10; G07F 11/00; G07F 11/026;
G07F 11/045; G07F 11/06; G07F 11/165;
G07F 11/24; G07F 11/62; G07D 11/00;
G07D 11/006; G07D 11/0021; G07D 2201/00;
G07D 2211/00

FIG. 1 is a front elevation view of the bezel for the document
validator according to the new design;
FIG. 2 is a rear elevation view;
FIG. 3 is a right side elevation view;
FIG. 4 is a left side elevation view;
FIG. 5 is a plan view;
FIG. 6 is a bottom view;
FIG. 7 is a front perspective view from the right upper side;
FIG. 8 is a front perspective view from the left upper side;
FIG. 9 is a rear perspective view from the right upper side;
FIG. 10 is a rear perspective view from the left upper side;
and,
FIG. 11 is a front right perspective view of the bezel attached
to the document validator with the document validator shown
in broken lines. The portions illustrated in broken lines are
environment that forms no part of the claimed design.

See application file for complete search history.

1 Claim, 11 Drawing Sheets

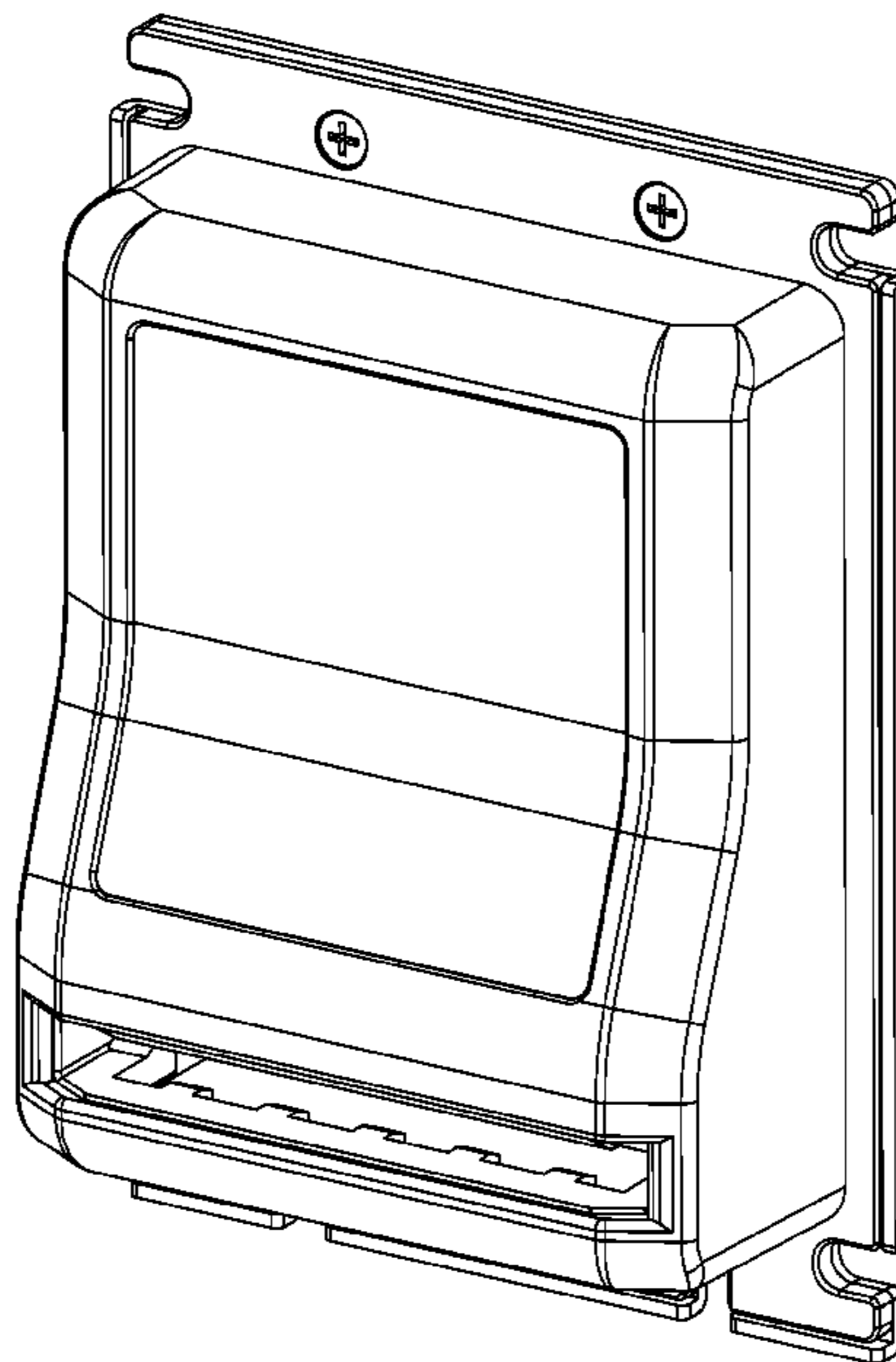


FIG. 1

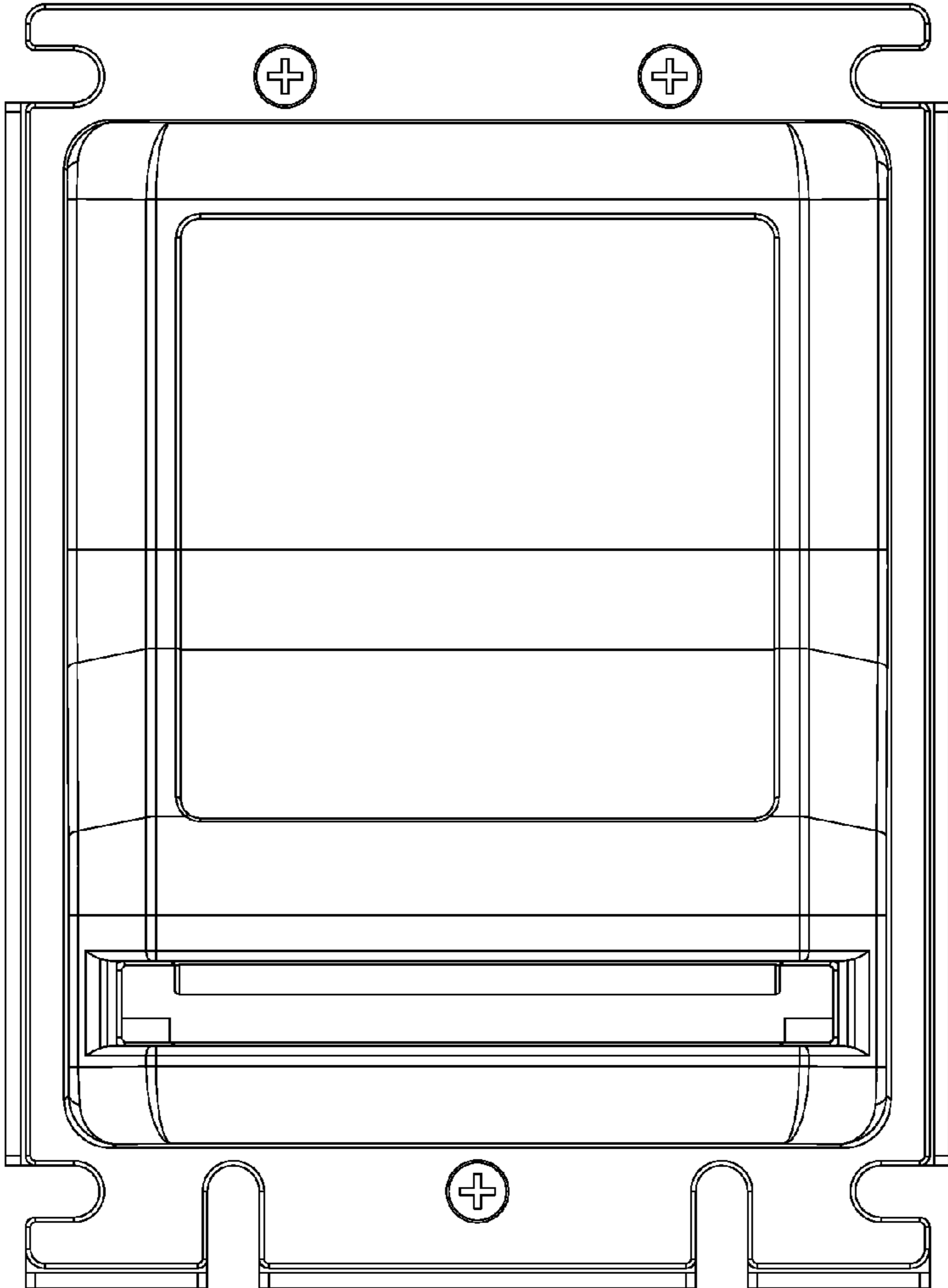


FIG. 2

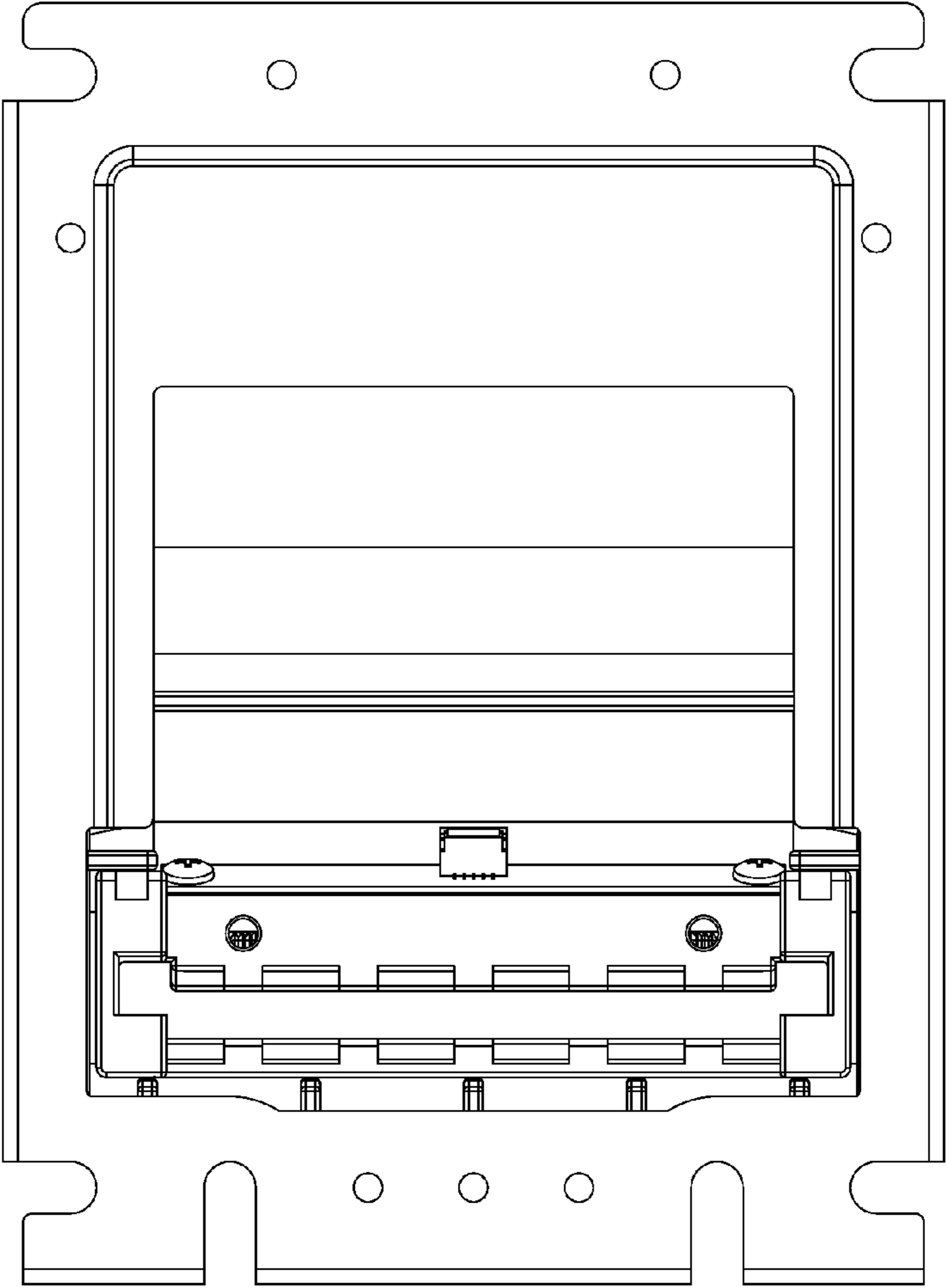


FIG. 3

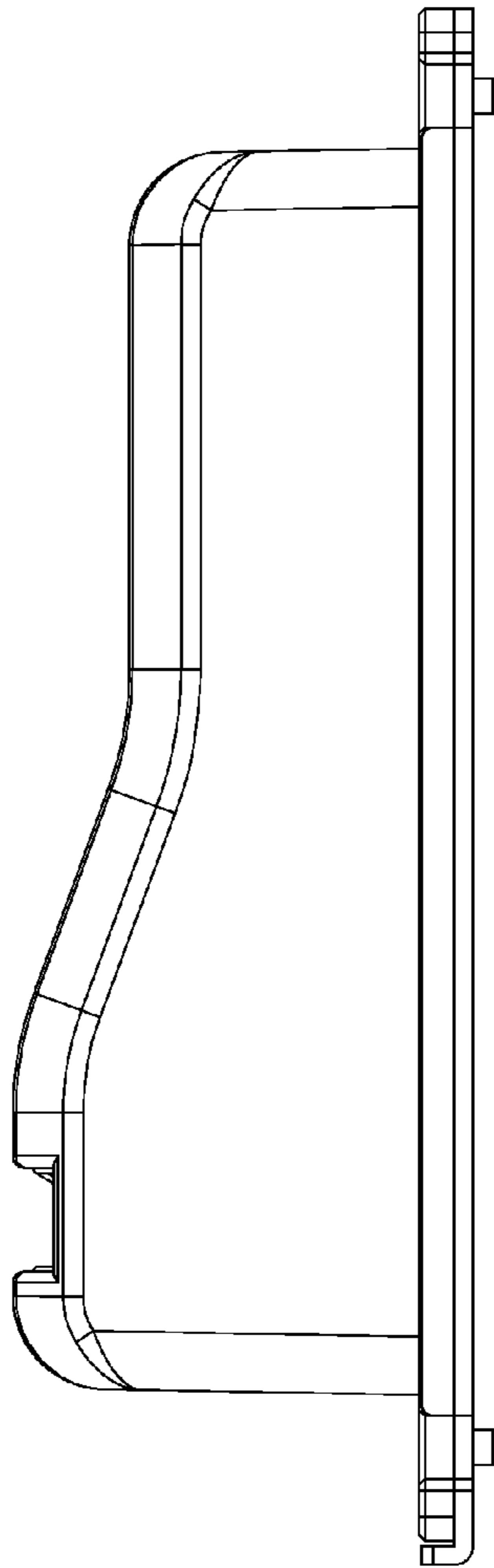


FIG. 4

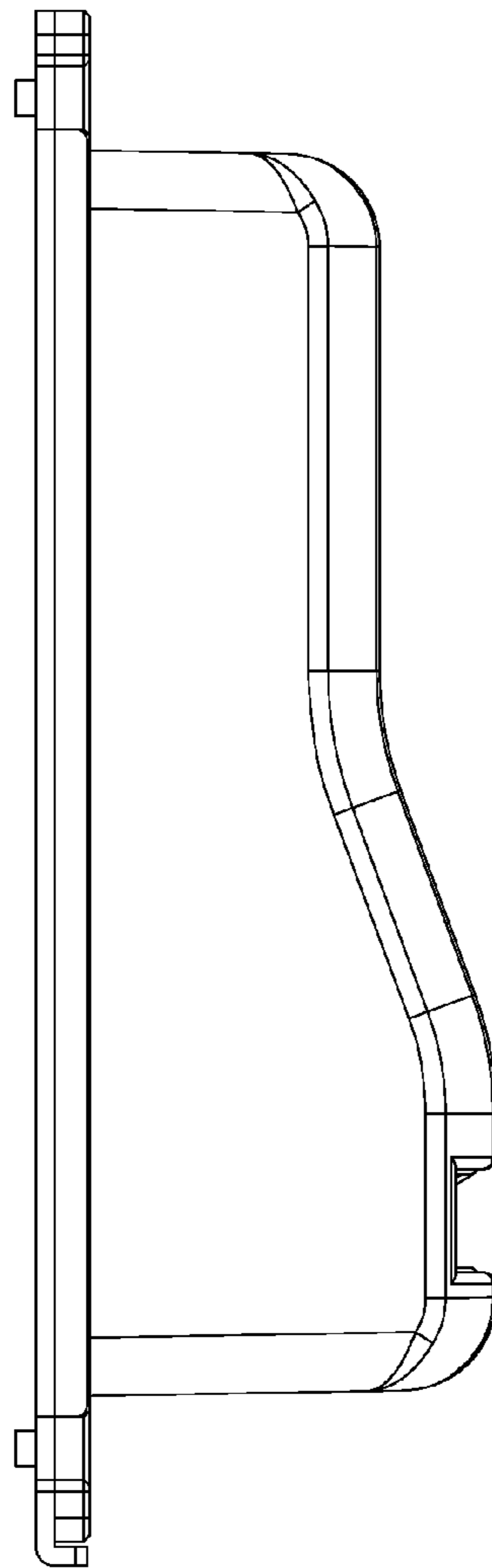


FIG. 5

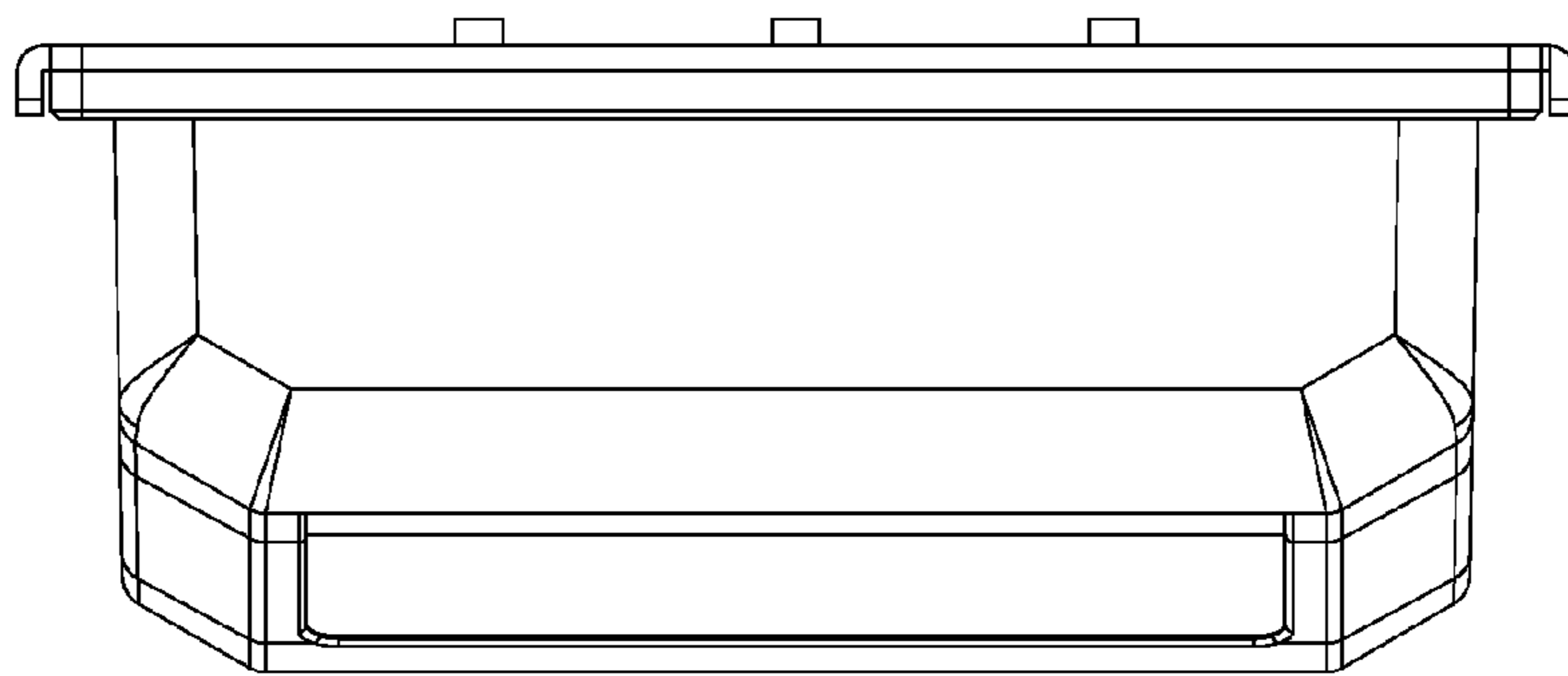


FIG. 6

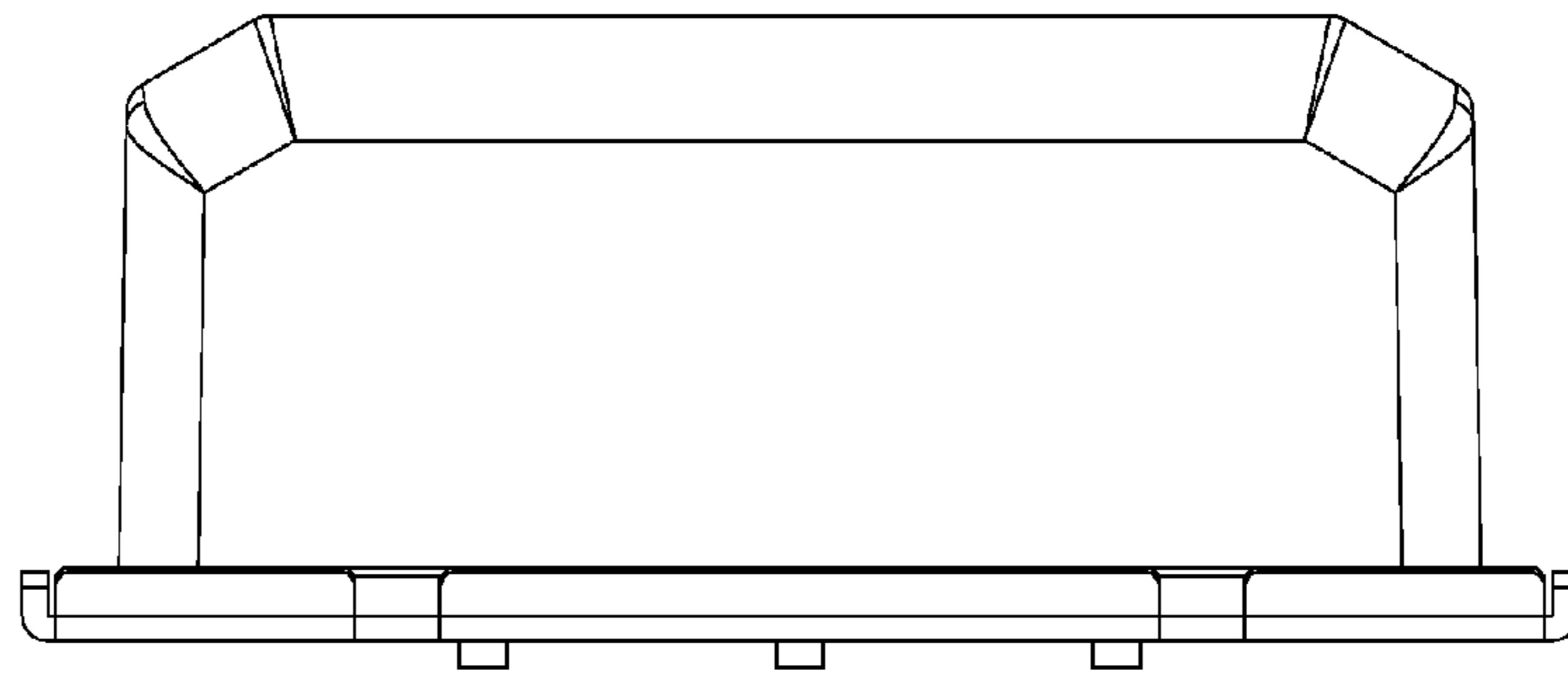


FIG. 7

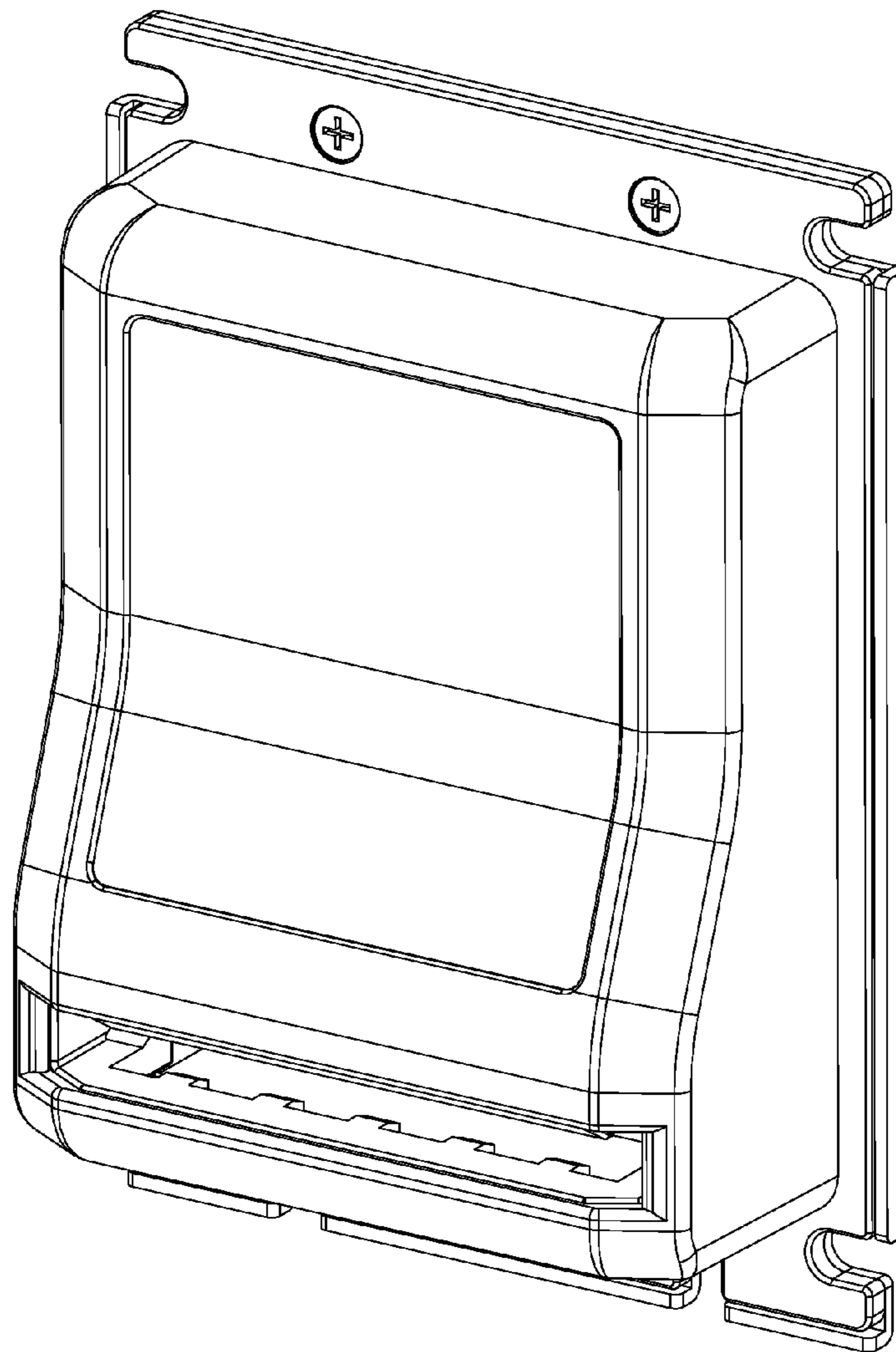


FIG. 8

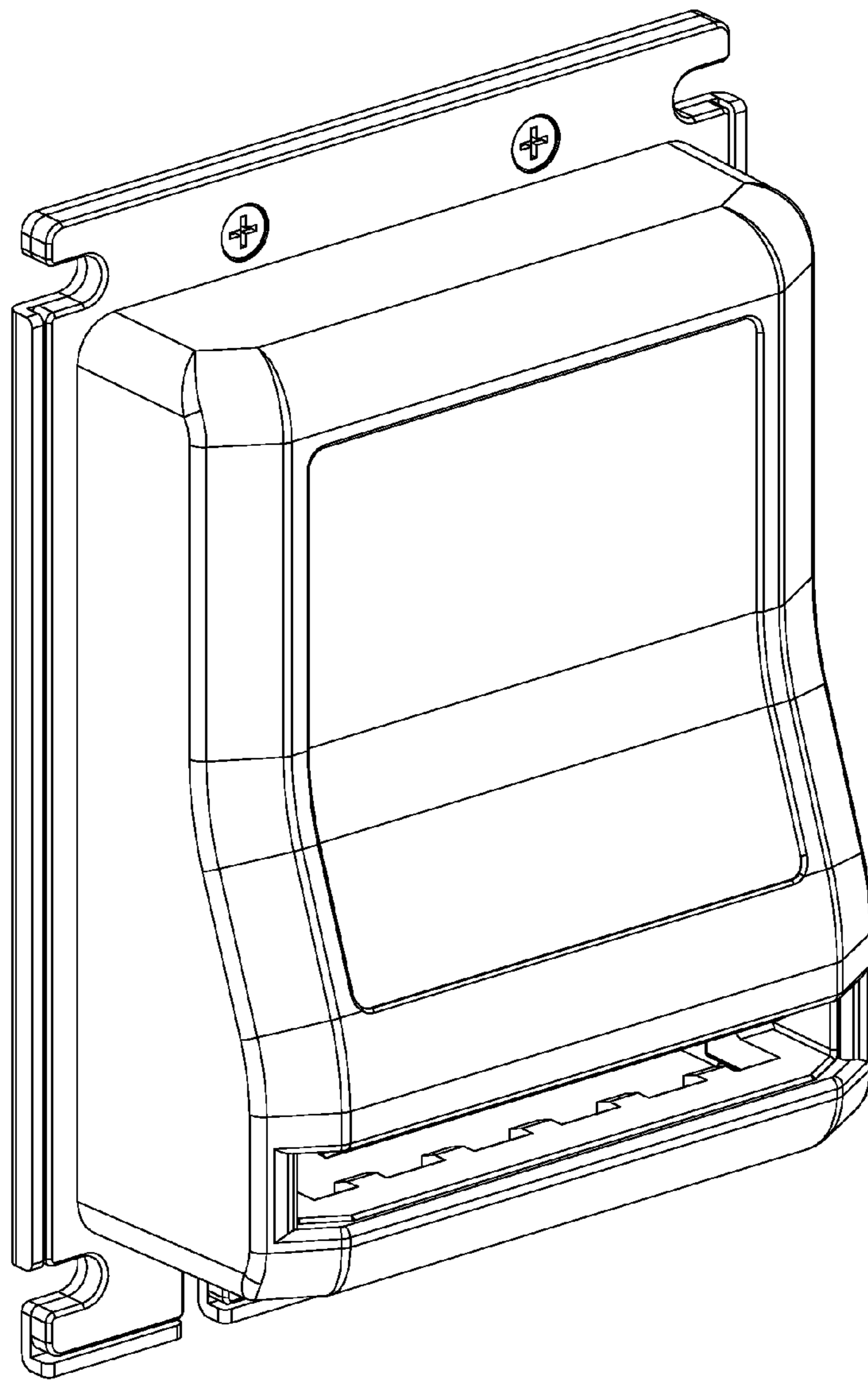


FIG. 9

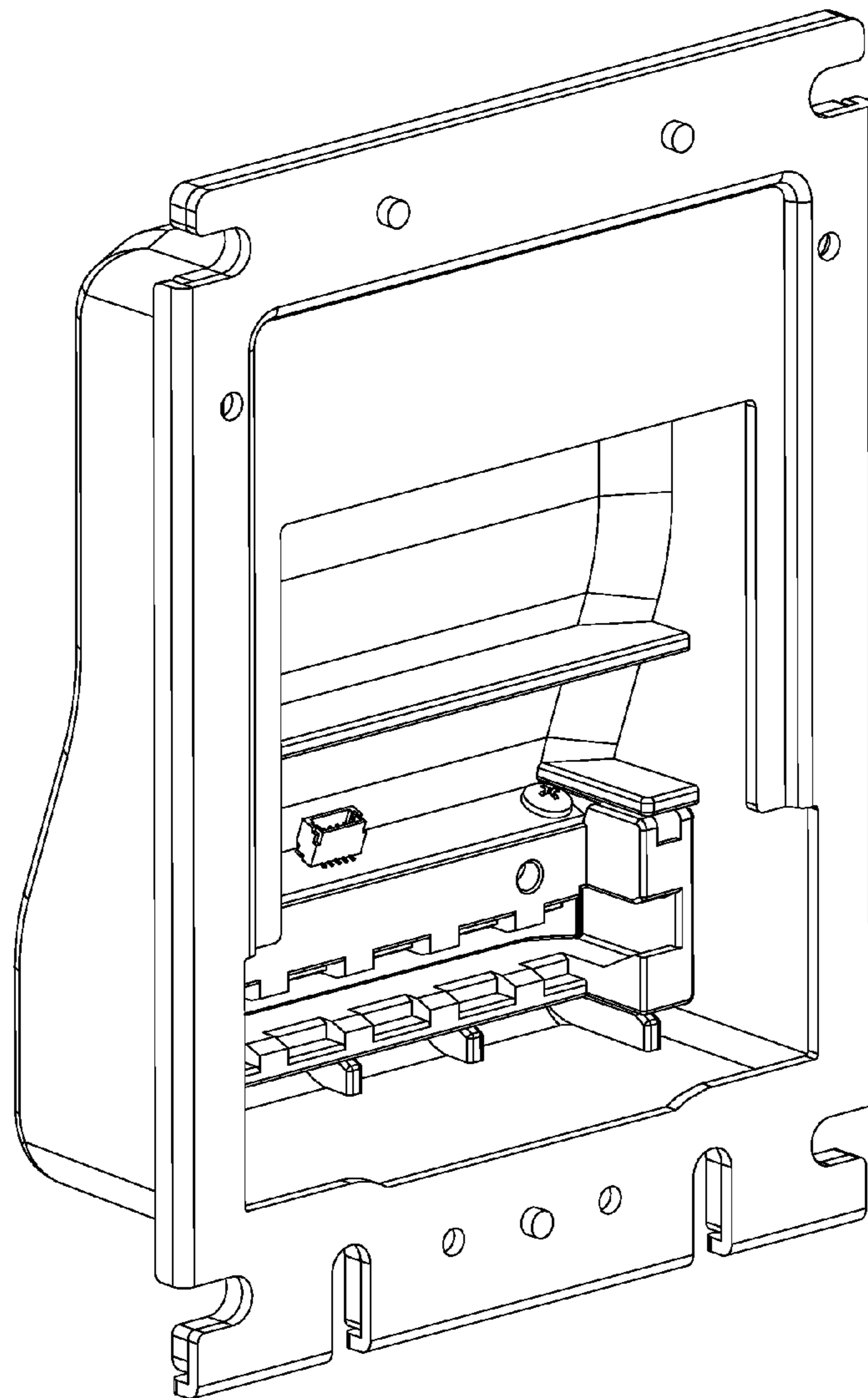


FIG. 10

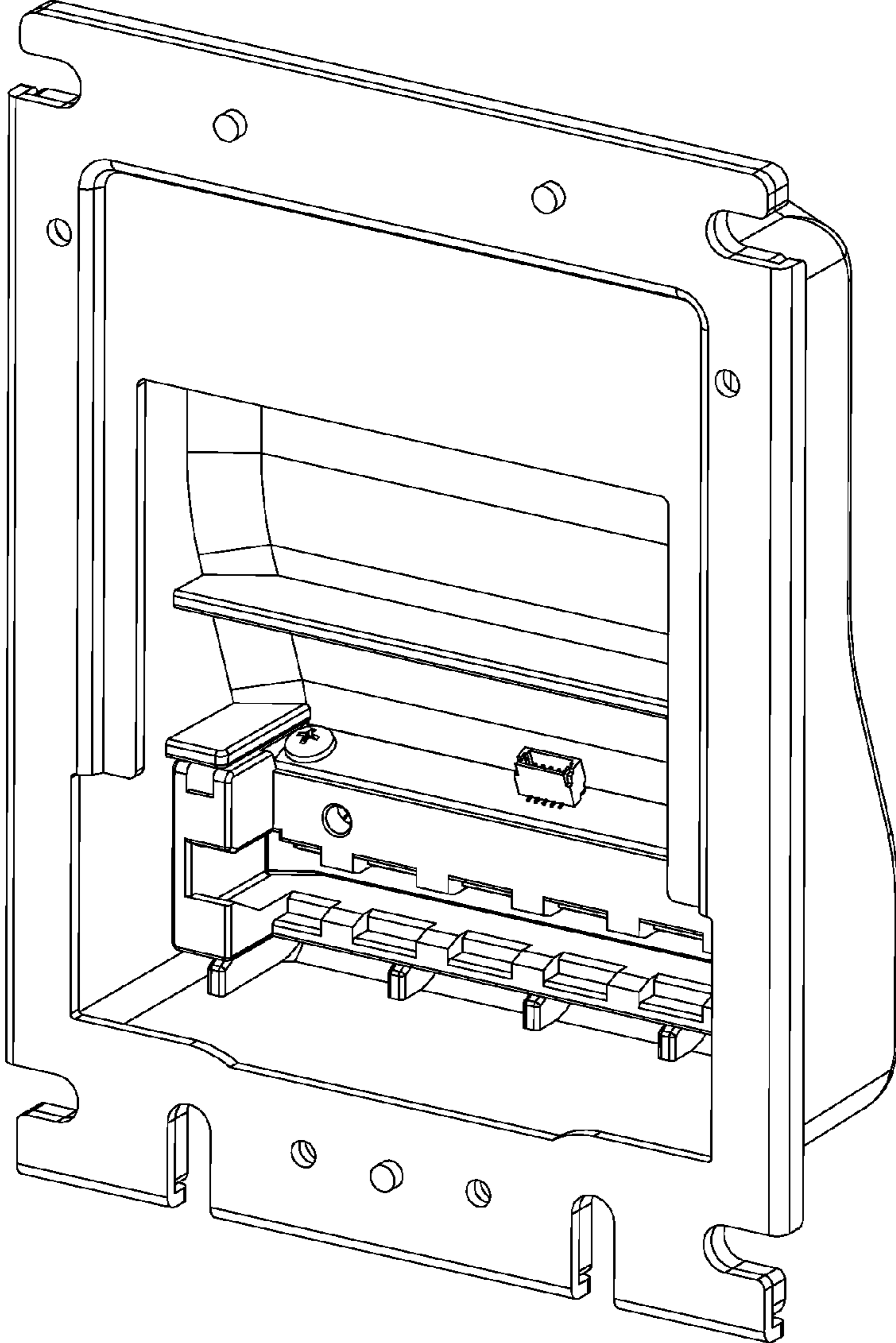


FIG. 11

