

US00D736317S

(12) **United States Design Patent**  
**Miller et al.**

(10) **Patent No.:** **US D736,317 S**  
(45) **Date of Patent:** **\*\* Aug. 11, 2015**

- (54) **PEN**
- (71) Applicant: **Poppin Inc.**, New York, NY (US)
- (72) Inventors: **Jeffrey Frederick Miller**, New York, NY (US); **Matteo Bonacina**, Astoria, NY (US); **Francesca Pezze**, Brooklyn, NY (US)
- (73) Assignee: **Poppin, Inc.**, New York, NY (US)
- (\*\*) Term: **14 Years**
- (21) Appl. No.: **29/493,814**
- (22) Filed: **Jun. 13, 2014**
- (51) **LOC (10) Cl.** ..... **19-06**
- (52) **U.S. Cl.**  
USPC ..... **D19/173**
- (58) **Field of Classification Search**  
USPC ..... D14/411; D19/115-204; D26/34, 38  
CPC ..... B43K 5/005; B43K 7/00; B43K 7/01;  
B43K 7/10; B43K 8/02; B43K 8/022; B43K  
8/024; B43K 8/026; B43K 8/028; B43K 8/03;  
B43K 11/00  
See application file for complete search history.

- (56) **References Cited**  
U.S. PATENT DOCUMENTS  
D190,262 S \* 5/1961 Schier ..... D19/49  
3,225,746 A \* 12/1965 Hechtle ..... 401/112  
D324,238 S \* 2/1992 Nitta ..... D19/49  
D334,408 S \* 3/1993 Takemura ..... D19/56  
D345,578 S \* 3/1994 Zier ..... D19/48

- D455,180 S \* 4/2002 Hasegawa ..... D19/57
- D570,415 S \* 6/2008 Richter et al. .... D19/56
- D589,559 S \* 3/2009 Slemp ..... D19/51
- D616,935 S \* 6/2010 Zhang ..... D19/48
- D642,621 S \* 8/2011 Keum et al. .... D19/56
- D663,770 S \* 7/2012 Koch ..... D19/47
- D664,196 S \* 7/2012 Buchler ..... D19/48
- D668,293 S \* 10/2012 Chen ..... D19/49
- D690,360 S \* 9/2013 Jin ..... D19/173
- D694,324 S \* 11/2013 Cambianica ..... D19/186
- D694,325 S \* 11/2013 Cambianica ..... D19/186
- D694,326 S \* 11/2013 Cambianica ..... D19/186
- D708,617 S \* 7/2014 Nakata ..... D14/411
- D711,470 S \* 8/2014 Santini ..... D19/169
- D712,480 S \* 9/2014 Fleming ..... D19/173
- D717,301 S \* 11/2014 Groene et al. .... D14/411
- D717,798 S \* 11/2014 Groene et al. .... D14/411
- D724,148 S \* 3/2015 Bo ..... D19/173

\* cited by examiner

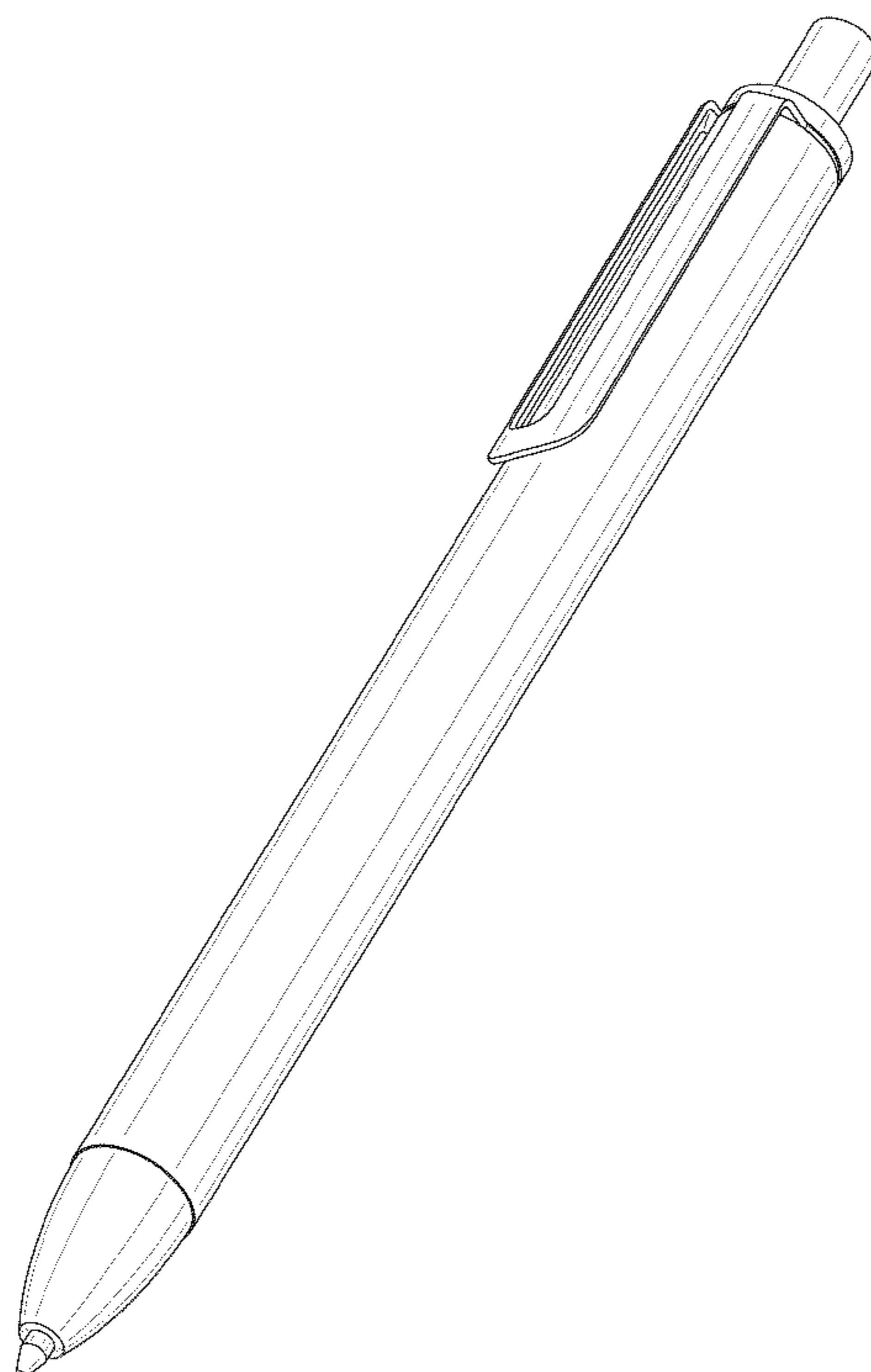
*Primary Examiner* — Elizabeth Albert  
(74) *Attorney, Agent, or Firm* — K&L Gates LLP

(57) **CLAIM**  
The ornamental design for a pen, as shown and described.

**DESCRIPTION**

FIG. 1 is a perspective view of a pen showing my new design;  
FIG. 2 is a front elevation view thereof;  
FIG. 3 is a rear elevation view thereof;  
FIG. 4 is a right side elevation view thereof;  
FIG. 5 is a left side elevation view thereof;  
FIG. 6 is a top plan view thereof;  
FIG. 7 is a bottom plan view thereof; and,  
FIG. 8 is a perspective view of a pen with the point extended.

**1 Claim, 5 Drawing Sheets**



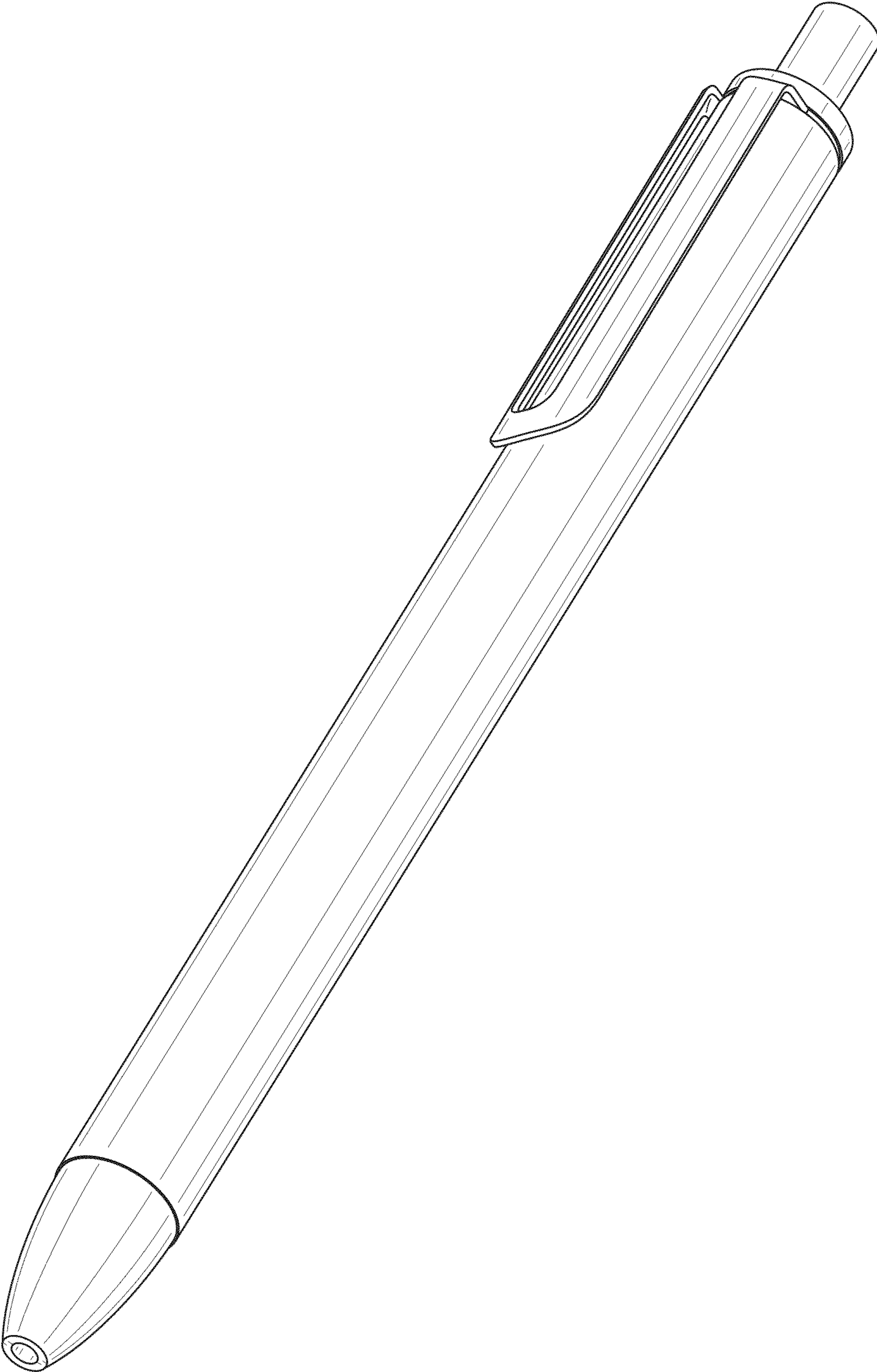


FIG. 1

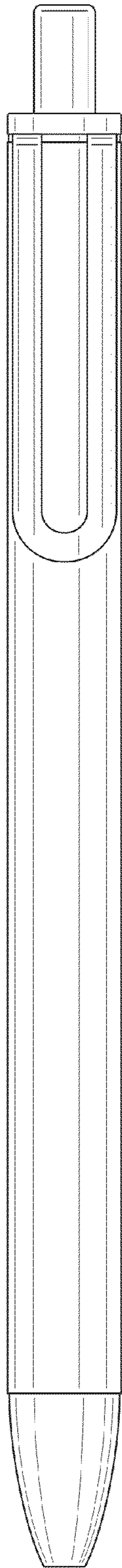


FIG. 2

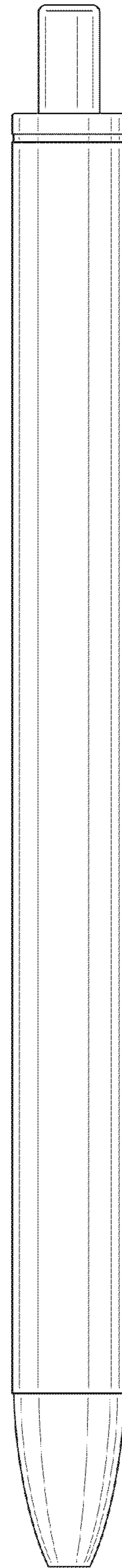


FIG. 3

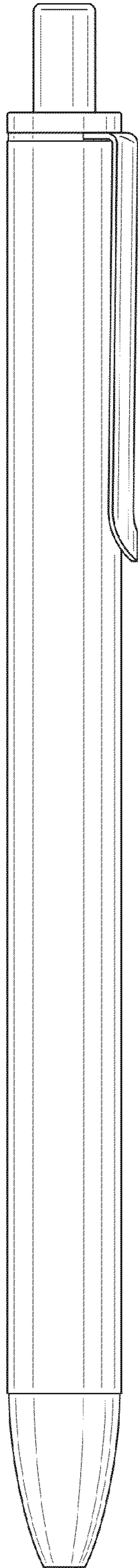


FIG. 4

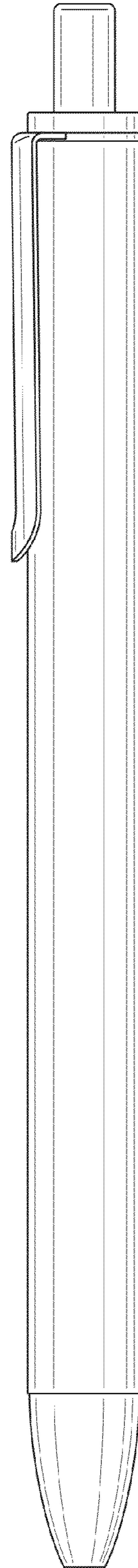


FIG. 5

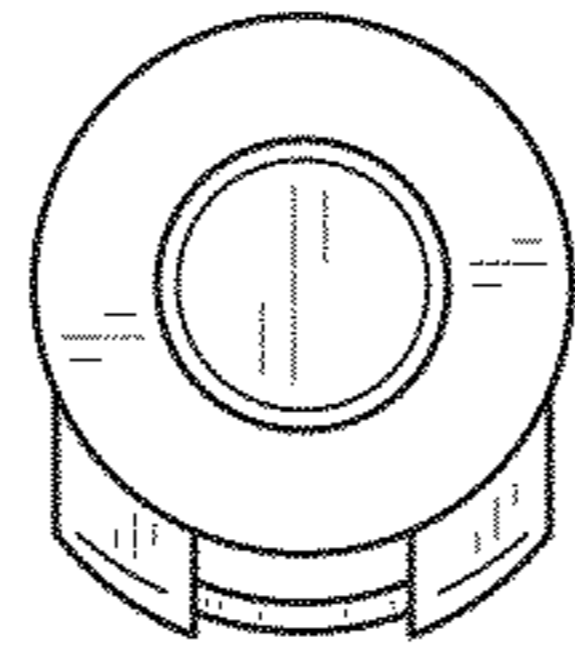


FIG. 6

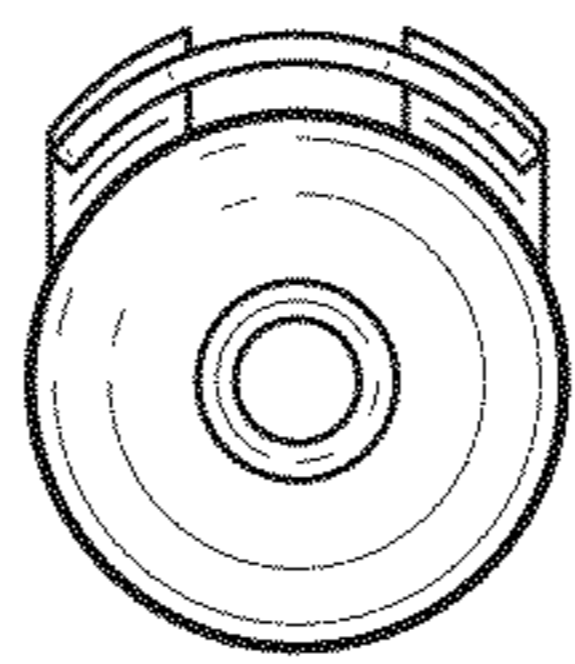


FIG. 7



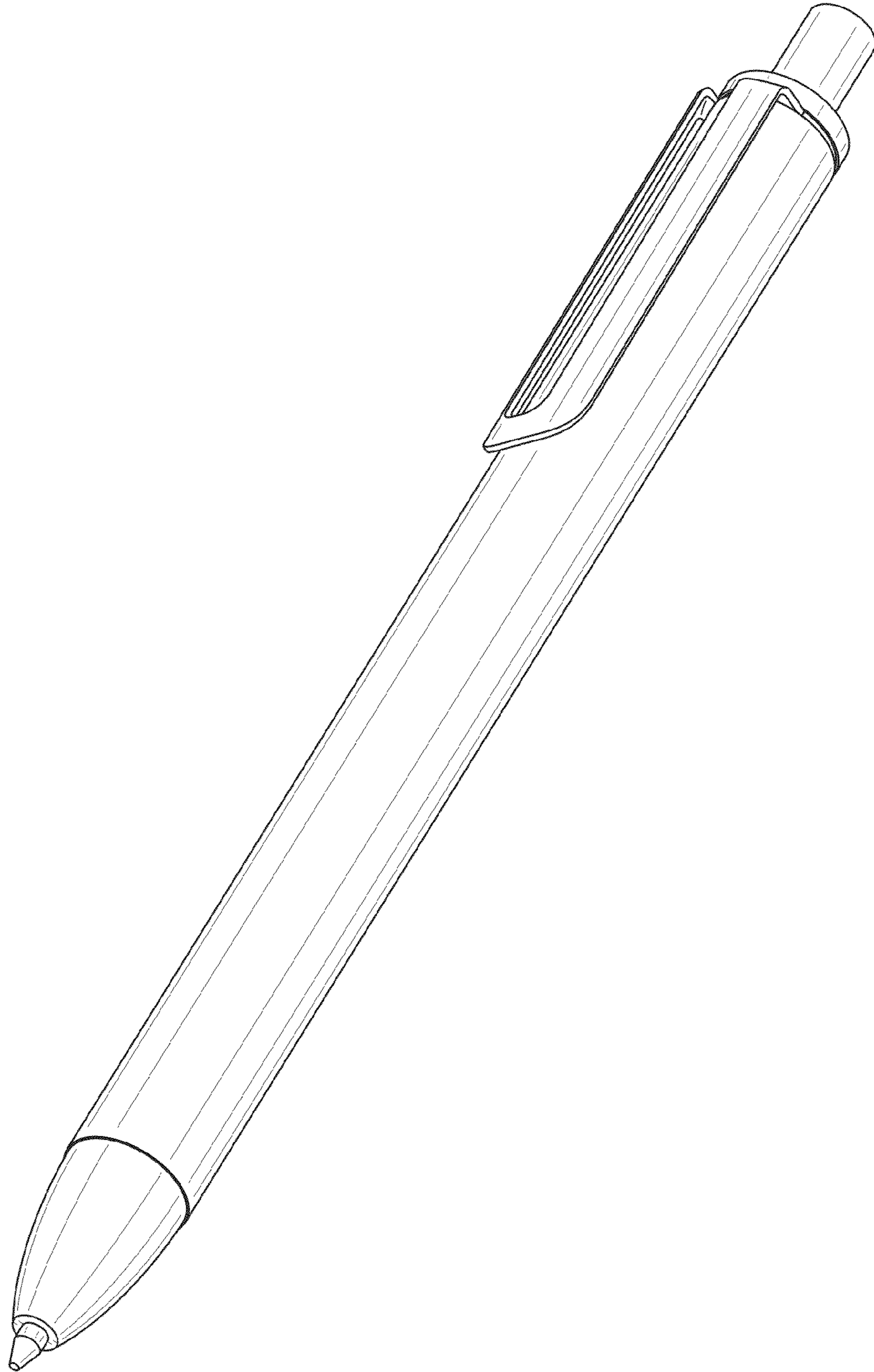


FIG. 8