



US00D736316S

(12) **United States Design Patent**
Jour

(10) **Patent No.:** **US D736,316 S**

(45) **Date of Patent:** **** *Aug. 11, 2015**

- (54) **MEMO PAPER DISPENSER**
- (71) Applicant: **David C. T. Jour**, Taipei (TW)
- (72) Inventor: **David C. T. Jour**, Taipei (TW)
- (*) Notice: This patent is subject to a terminal disclaimer.
- (**) Term: **14 Years**
- (21) Appl. No.: **29/493,316**
- (22) Filed: **Jun. 9, 2014**
- (51) **LOC (10) Cl.** **19-02**
- (52) **U.S. Cl.**
USPC **D19/86**
- (58) **Field of Classification Search**
USPC D6/515, 518; D9/734; D19/75, 77, 78,
D19/86-91; 206/39.5, 215, 233, 425, 449,
206/494, 555; 221/45, 46, 48, 52, 59, 61,
221/63
See application file for complete search history.

4,986,440	A *	1/1991	Windorski	221/45
D316,112	S *	4/1991	Windorski	D19/86
5,080,255	A *	1/1992	Windorski	221/45
5,240,251	A *	8/1993	Filice	473/588
D342,096	S *	12/1993	Cornell	D19/86
D385,214	S *	10/1997	Cappoza	D11/157
D396,492	S *	7/1998	Carlson et al.	D19/86
5,964,375	A *	10/1999	Carlson et al.	221/45
6,024,078	A *	2/2000	Hollis et al.	124/78
D429,542	S *	8/2000	Beaujean	D28/8.1
6,146,293	A *	11/2000	Chinn et al.	473/588
6,341,429	B1 *	1/2002	Herskovitz	33/512
D498,501	S *	11/2004	Stoddard et al.	D19/86
D558,207	S *	12/2007	Ikeda et al.	D14/434
D579,993	S *	11/2008	Fairchild et al.	D21/710
D637,224	S *	5/2011	Smith	D17/24
8,061,558	B2 *	11/2011	Jordan et al.	221/197
8,261,937	B2 *	9/2012	Bodziak et al.	221/45
D696,723	S *	12/2013	Livingstone	D19/86

* cited by examiner

Primary Examiner — Elizabeth Albert

(57) **CLAIM**

An ornamental design for a memo paper dispenser, as shown and described.

DESCRIPTION

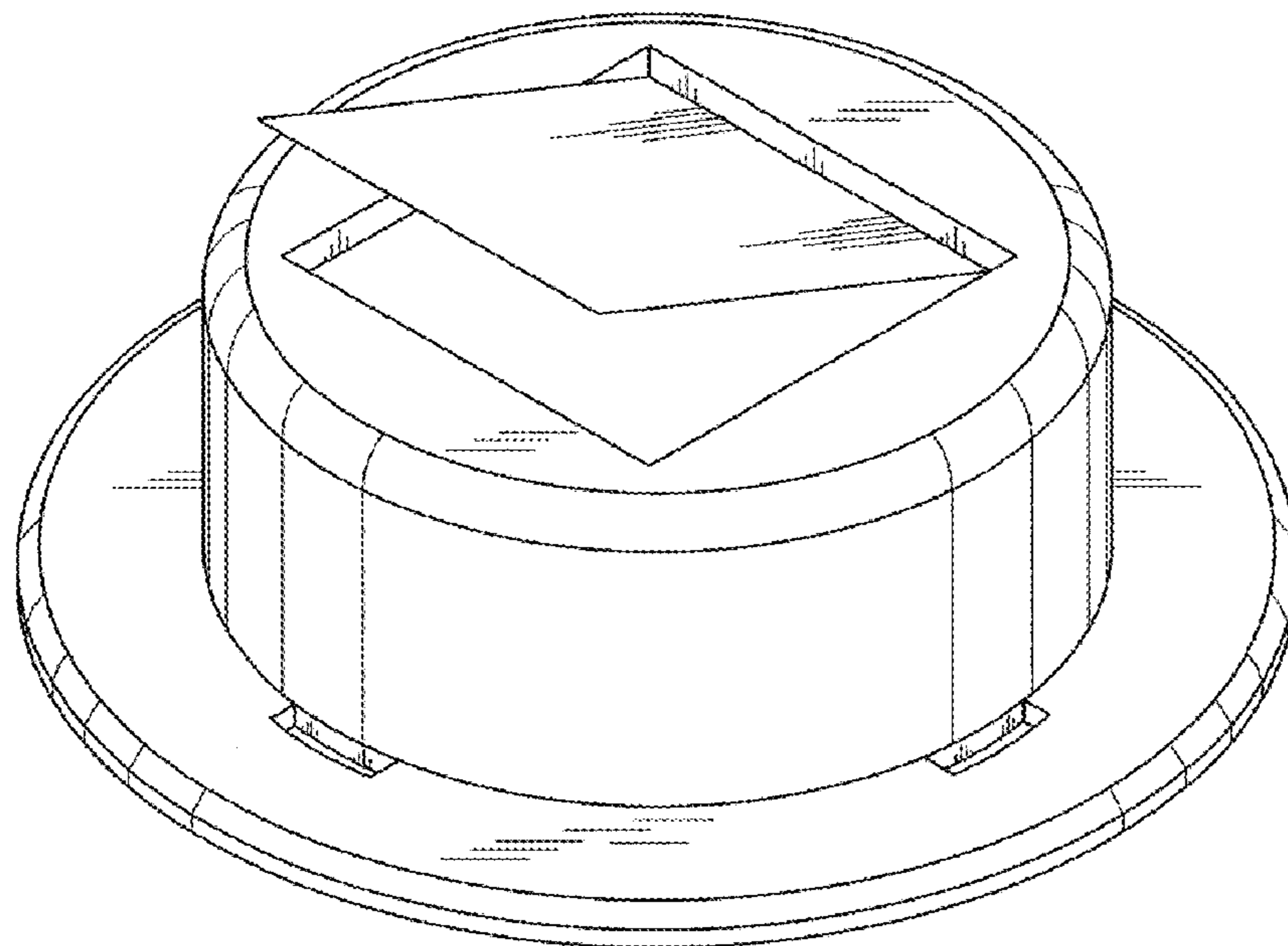
FIG. 1 is a front view of a memo paper dispenser showing my new design;
 FIG. 2 is a rear view thereof;
 FIG. 3 is a left side view thereof;
 FIG. 4 is a right side view thereof;
 FIG. 5 is a top plan view thereof;
 FIG. 6 is a bottom plan view thereof; and,
 FIG. 7 is a perspective view thereof.

1 Claim, 4 Drawing Sheets

(56) **References Cited**

U.S. PATENT DOCUMENTS

2,226,516	A *	12/1940	Ross	473/588
3,698,122	A *	10/1972	Adams	446/118
3,856,932	A *	12/1974	May	424/405
4,014,122	A *	3/1977	Woods	40/358
4,217,331	A *	8/1980	Schaub	422/265
4,313,689	A *	2/1982	Reinschutz	404/73
D302,832	S *	8/1989	King	D19/75
4,915,954	A *	4/1990	Ayer et al.	424/473
4,952,216	A *	8/1990	Good	44/553
D310,688	S *	9/1990	Windorski	D19/86



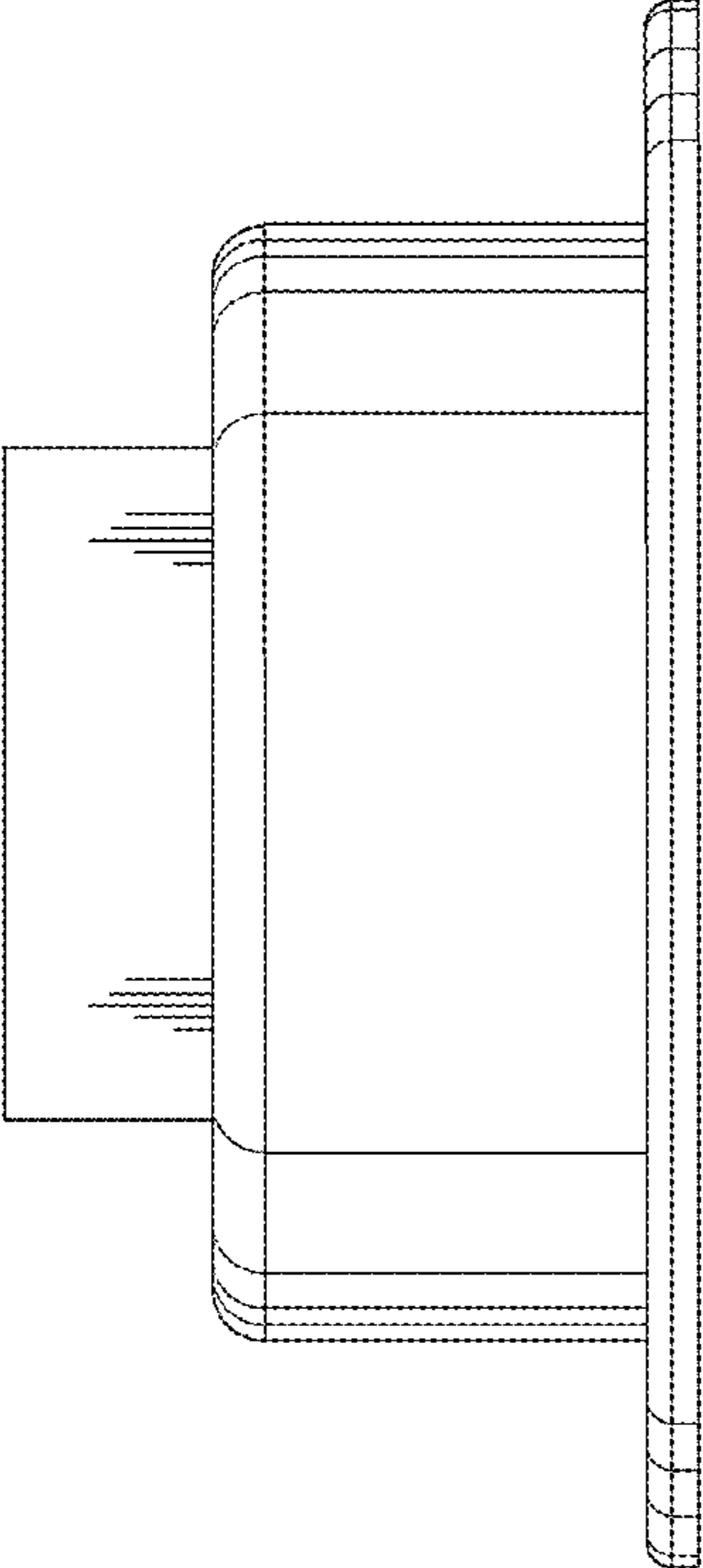


Fig. 1

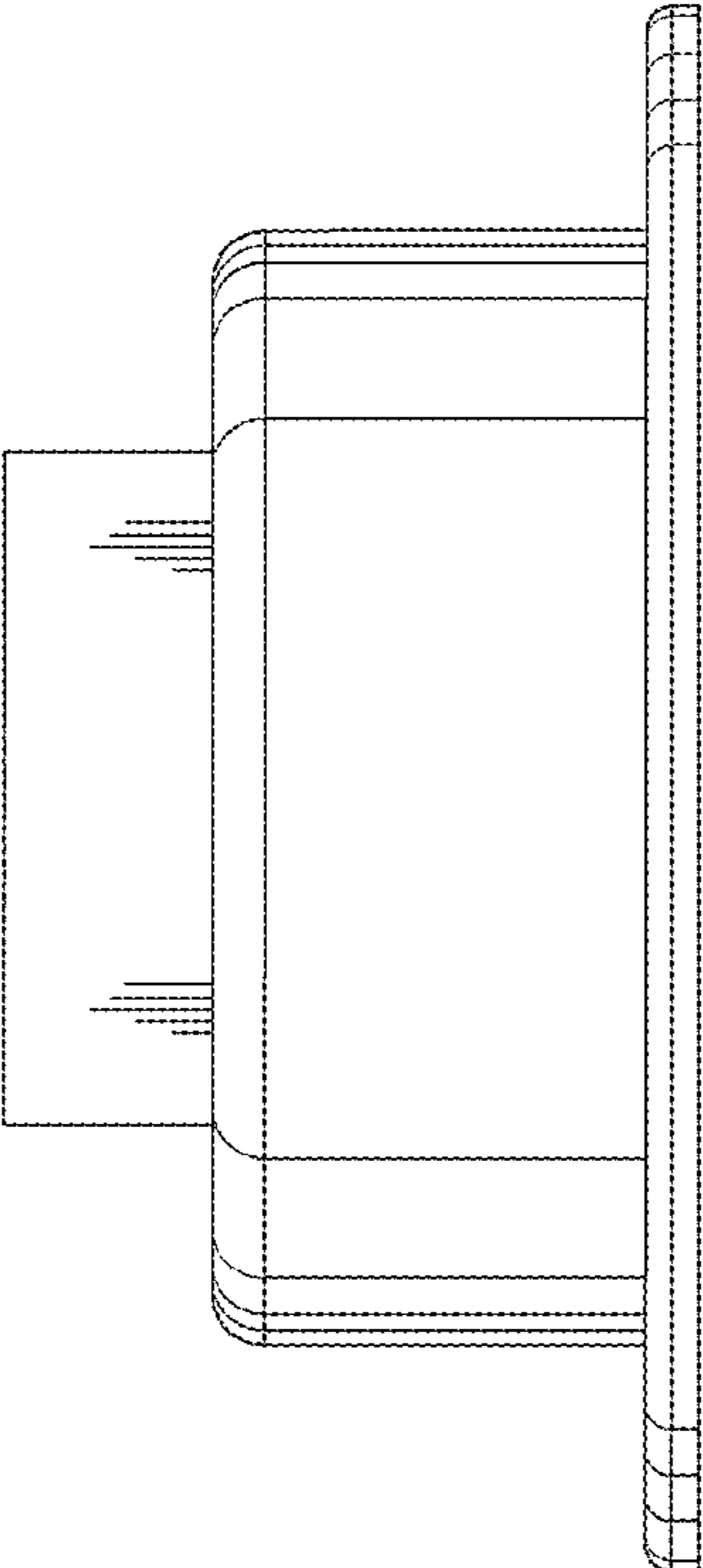


Fig. 2

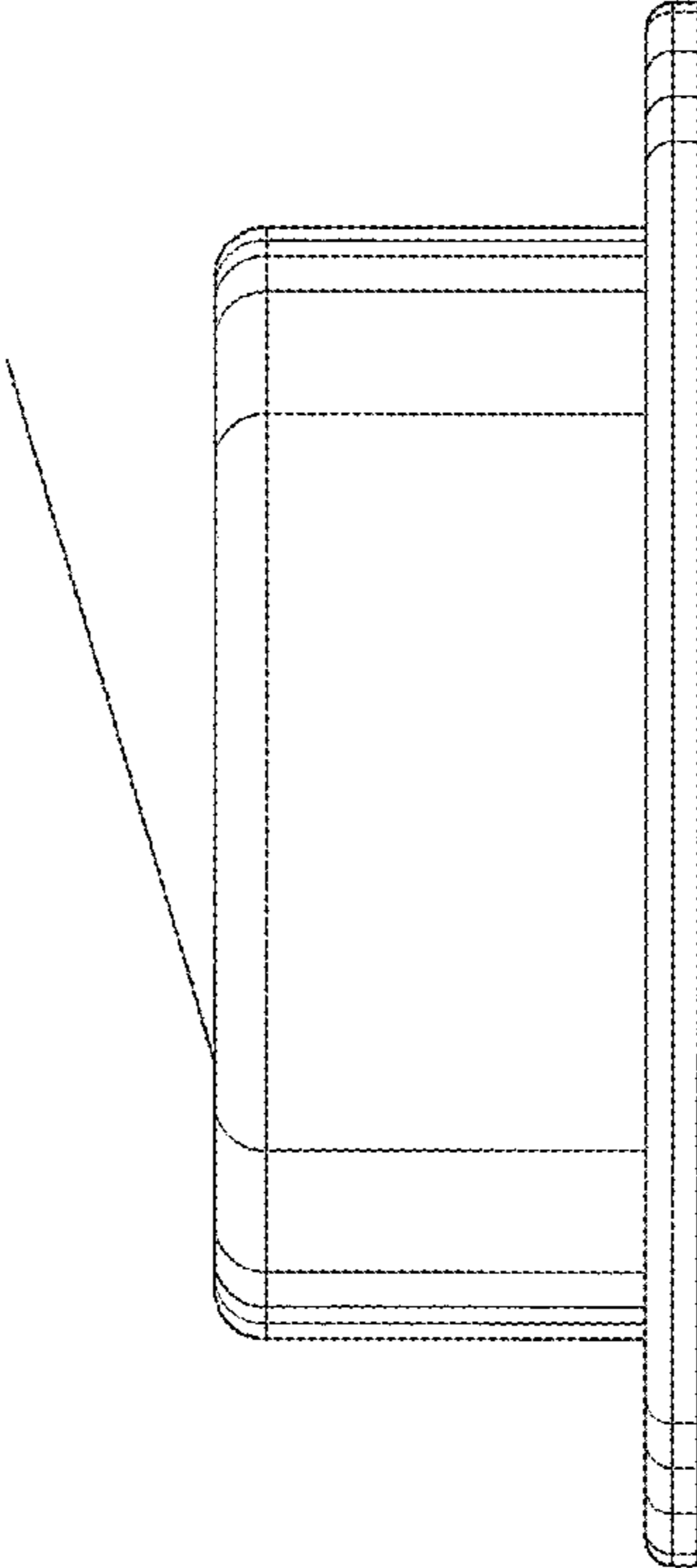


Fig. 4

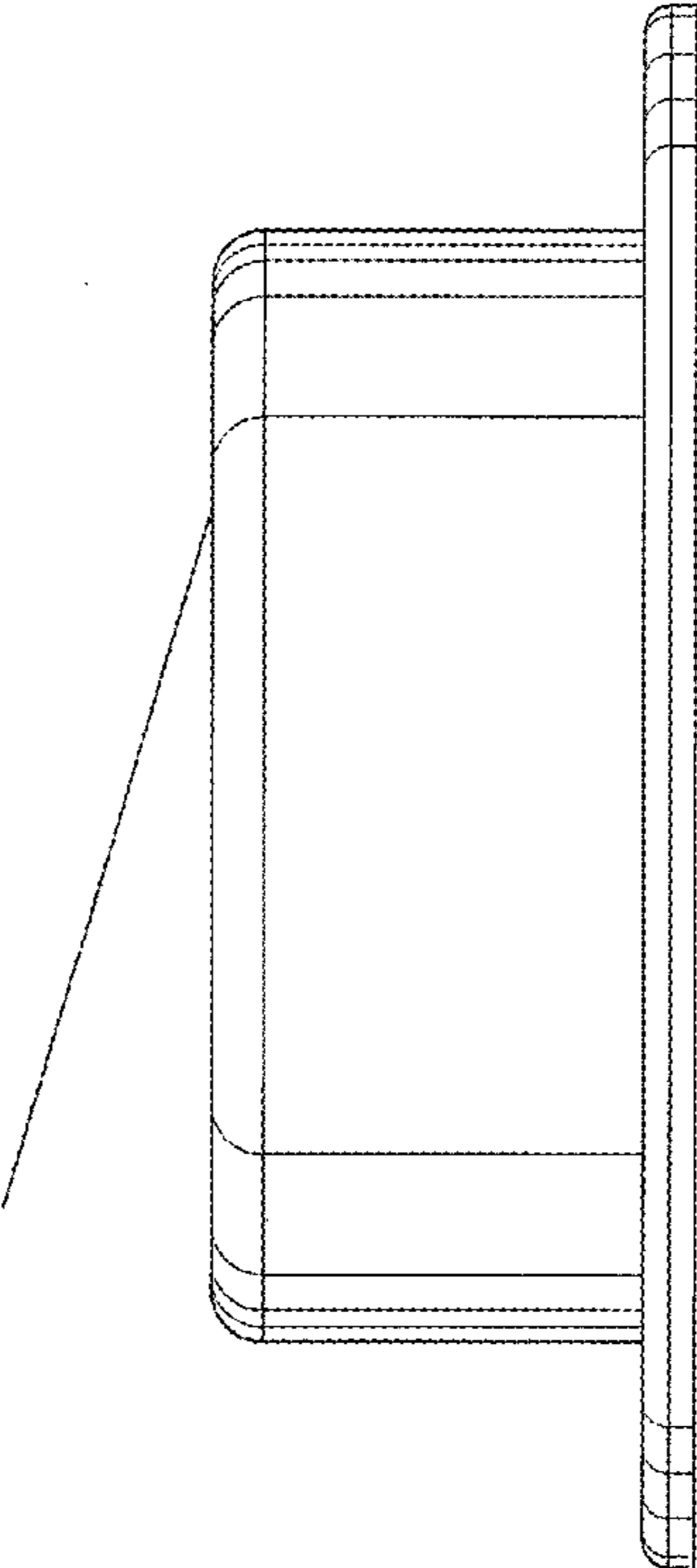


Fig. 3



Fig. 6

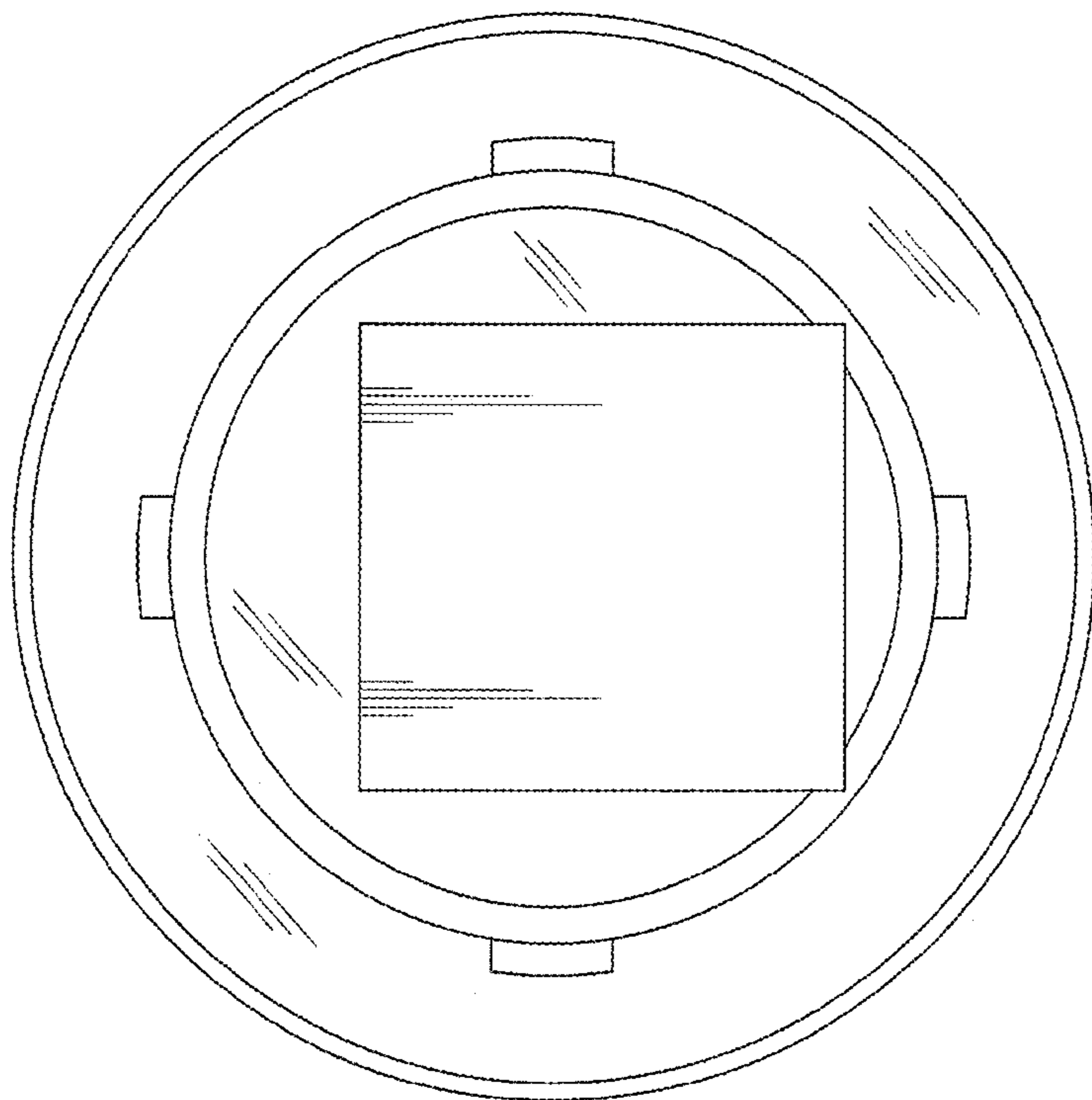


Fig. 5

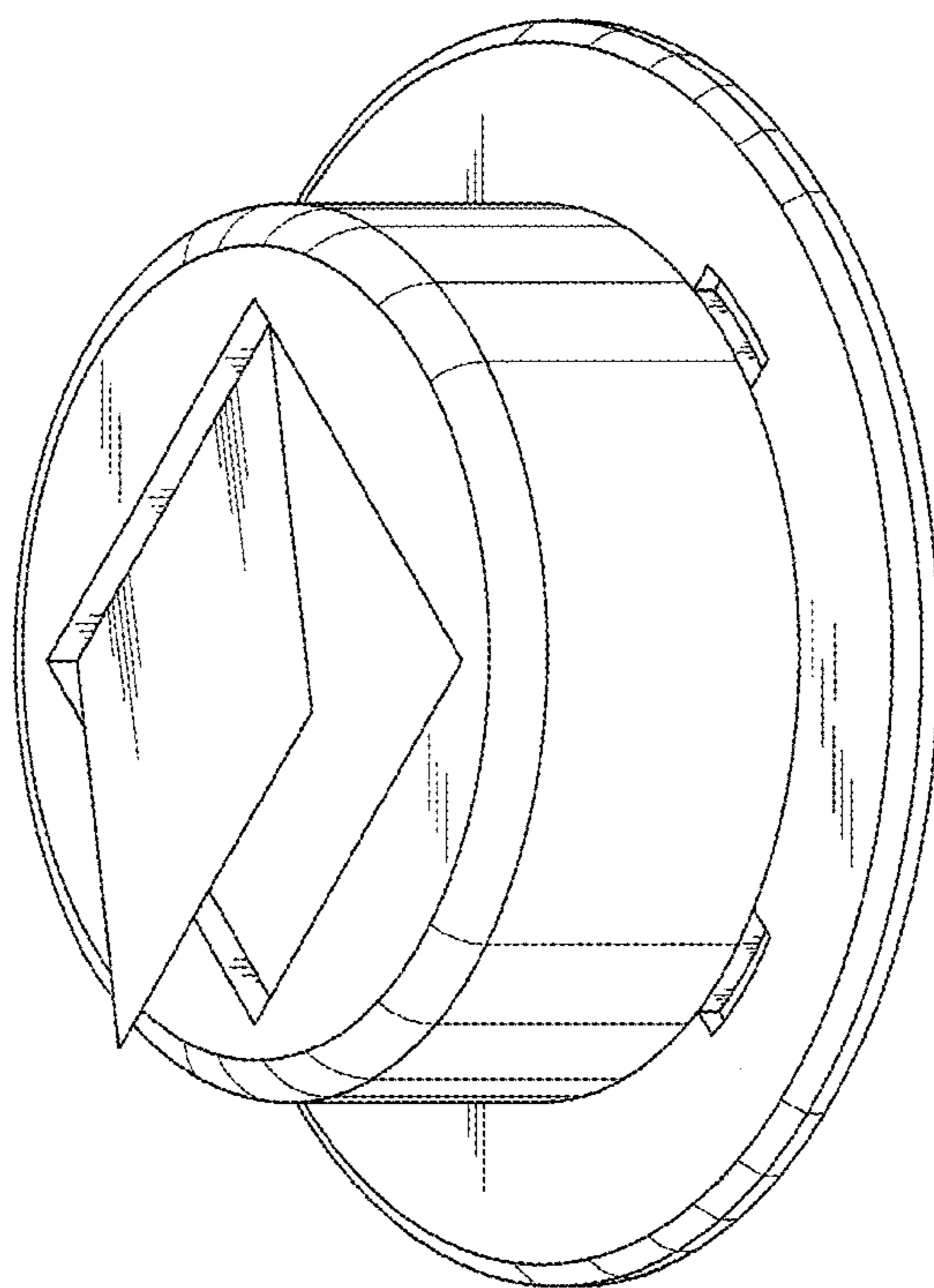


Fig. 7