

US00D736315S

(12) **United States Design Patent**  
**Jour**

(10) **Patent No.:** **US D736,315 S**

(45) **Date of Patent:** **\*\* \*Aug. 11, 2015**

- (54) **MEMO PAPER DISPENSER**
- (71) Applicant: **David C. T. Jour**, Taipei (TW)
- (72) Inventor: **David C. T. Jour**, Taipei (TW)
- (\*) Notice: This patent is subject to a terminal disclaimer.
- (\*\*) Term: **14 Years**
- (21) Appl. No.: **29/493,314**
- (22) Filed: **Jun. 8, 2014**
- (51) **LOC (10) Cl.** ..... **19-02**
- (52) **U.S. Cl.**  
USPC ..... **D19/86**
- (58) **Field of Classification Search**  
USPC ..... D6/515, 518; D9/734; D19/75, 77, 78,  
D19/86-91; 206/39.5, 215, 233, 425, 449,  
206/494, 555; 221/45, 46, 48, 52, 59, 61,  
221/63

5,080,255	A *	1/1992	Windorski	.....	221/45
5,240,251	A *	8/1993	Filice	.....	473/588
D342,096	S *	12/1993	Cornell	.....	D19/86
D385,214	S *	10/1997	Cappoza	.....	D11/157
D396,492	S *	7/1998	Carlson et al.	.....	D19/86
5,964,375	A *	10/1999	Carlson et al.	.....	221/45
6,024,078	A *	2/2000	Hollis et al.	.....	124/78
D429,542	S *	8/2000	Beaujean	.....	D28/8.1
6,146,293	A *	11/2000	Chinn et al.	.....	473/588
6,341,429	B1 *	1/2002	Herskovitz	.....	33/512
D498,501	S *	11/2004	Stoddard et al.	.....	D19/86
D558,207	S *	12/2007	Ikeda et al.	.....	D14/434
D579,993	S *	11/2008	Fairchild et al.	.....	D21/710
D637,224	S *	5/2011	Smith	.....	D17/24
8,061,558	B2 *	11/2011	Jordan et al.	.....	221/197
8,261,937	B2 *	9/2012	Bodziak et al.	.....	221/45
D696,723	S *	12/2013	Livingstone	.....	D19/86

\* cited by examiner

*Primary Examiner* — Elizabeth Albert

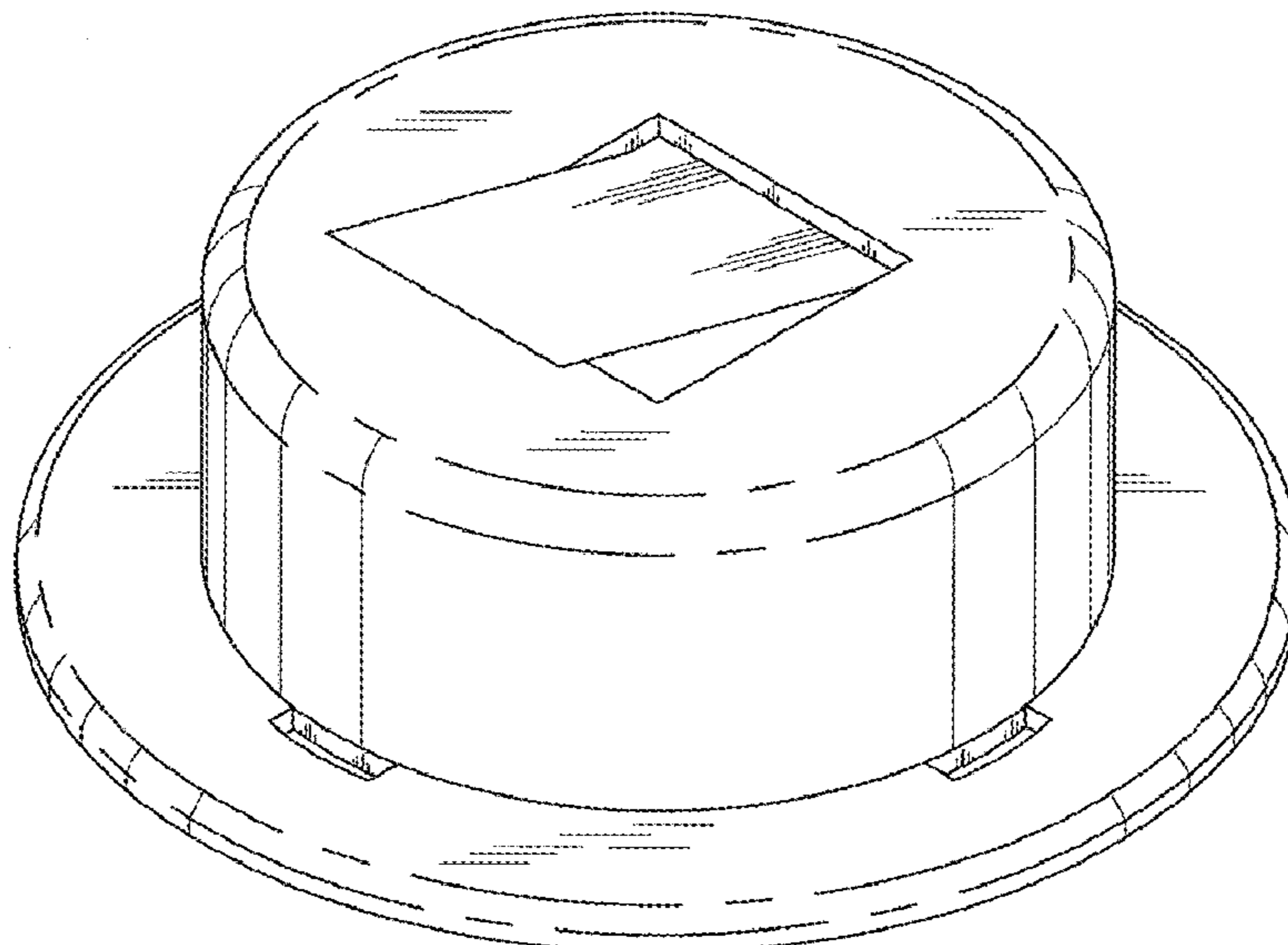
(57) **CLAIM**  
An ornamental design for a memo paper dispenser, as shown and described.

**DESCRIPTION**

FIG. 1 is a front view of the memo paper dispenser showing my new design;  
FIG. 2 is a rear view thereof;  
FIG. 3 is a left side view thereof;  
FIG. 4 is a right side view thereof;  
FIG. 5 is a top plan view thereof;  
FIG. 6 is a bottom plan view thereof; and,  
FIG. 7 is a perspective view thereof.  
The broken lines in FIG. 6 are included for the purpose of showing features on the memo paper dispenser that form no part of the claimed design.

- See application file for complete search history.
- (56) **References Cited**
- U.S. PATENT DOCUMENTS
- |           |     |         |             |       |         |
|-----------|-----|---------|-------------|-------|---------|
| 2,226,516 | A * | 12/1940 | Ross        | ..... | 473/588 |
| 3,698,122 | A * | 10/1972 | Adams       | ..... | 446/118 |
| 3,856,932 | A * | 12/1974 | May         | ..... | 424/405 |
| 4,014,122 | A * | 3/1977  | Woods       | ..... | 40/358  |
| 4,217,331 | A * | 8/1980  | Schaub      | ..... | 422/265 |
| 4,313,689 | A * | 2/1982  | Reinschutz  | ..... | 404/73  |
| D302,832  | S * | 8/1989  | King        | ..... | D19/75  |
| 4,915,954 | A * | 4/1990  | Ayer et al. | ..... | 424/473 |
| 4,952,216 | A * | 8/1990  | Good        | ..... | 44/553  |
| D310,688  | S * | 9/1990  | Windorski   | ..... | D19/86  |
| 4,986,440 | A * | 1/1991  | Windorski   | ..... | 221/45  |
| D316,112  | S * | 4/1991  | Windorski   | ..... | D19/86  |

**1 Claim, 4 Drawing Sheets**



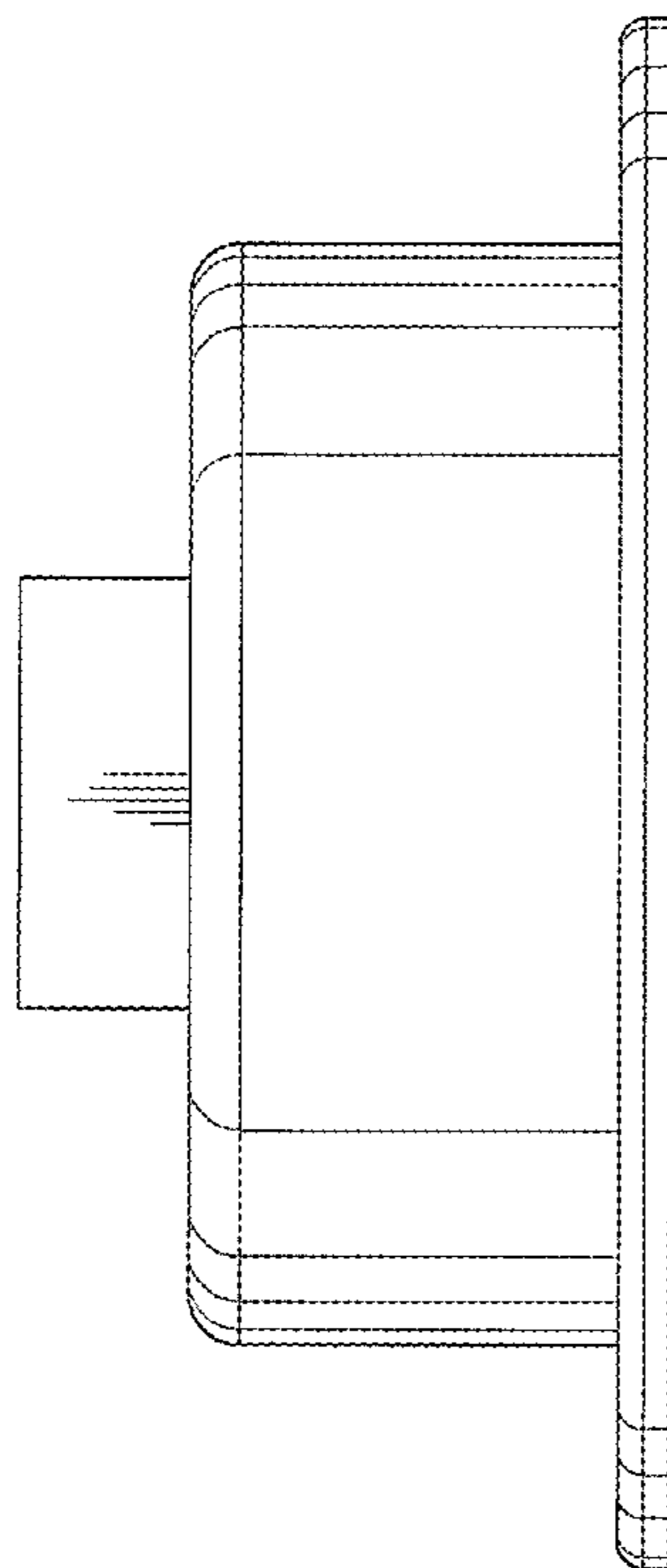


Fig. 1

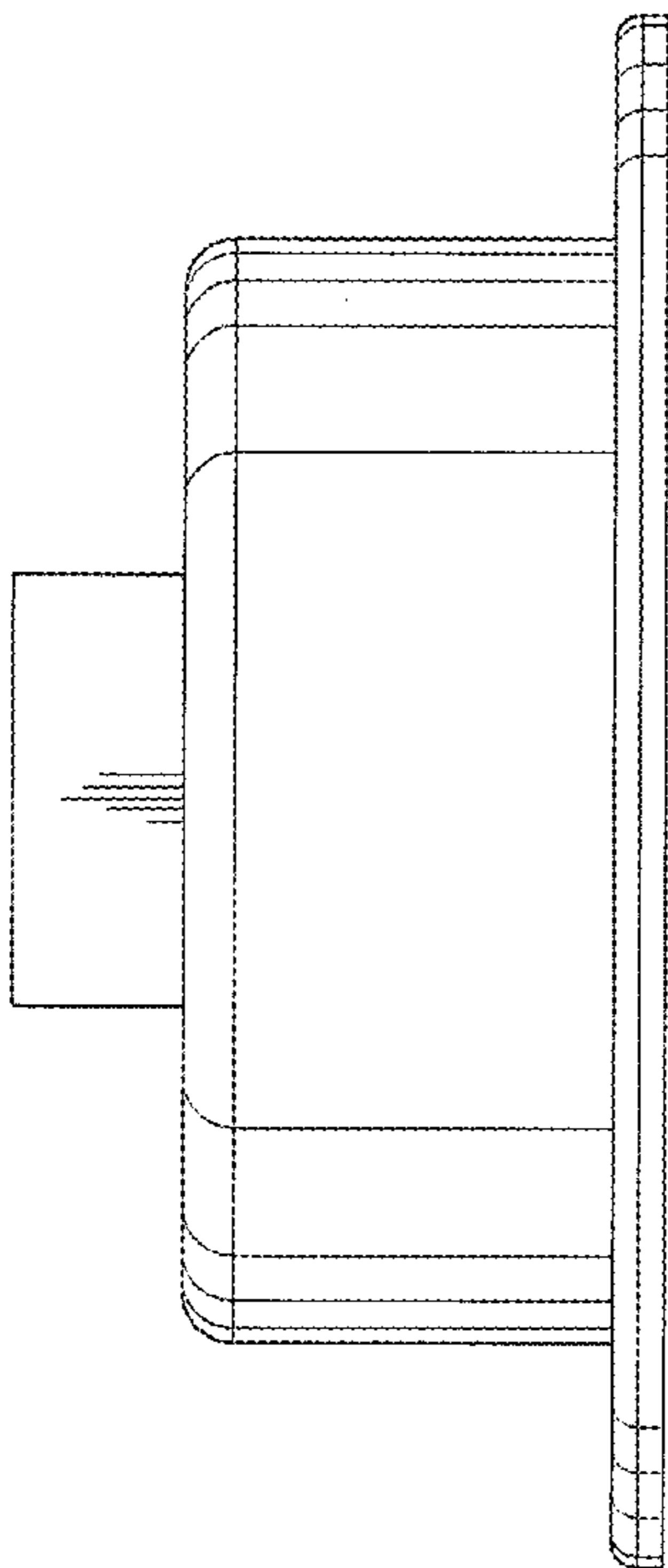


Fig. 2

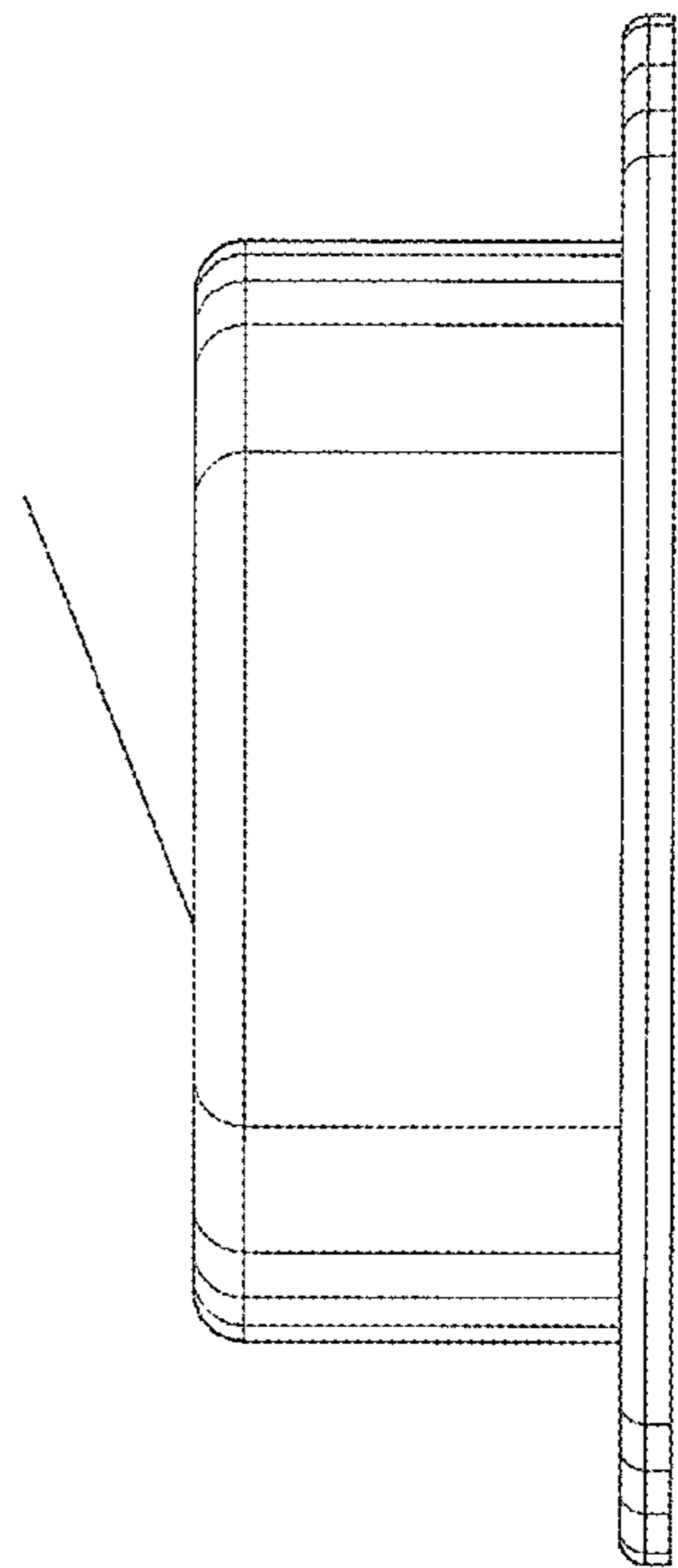


Fig. 3

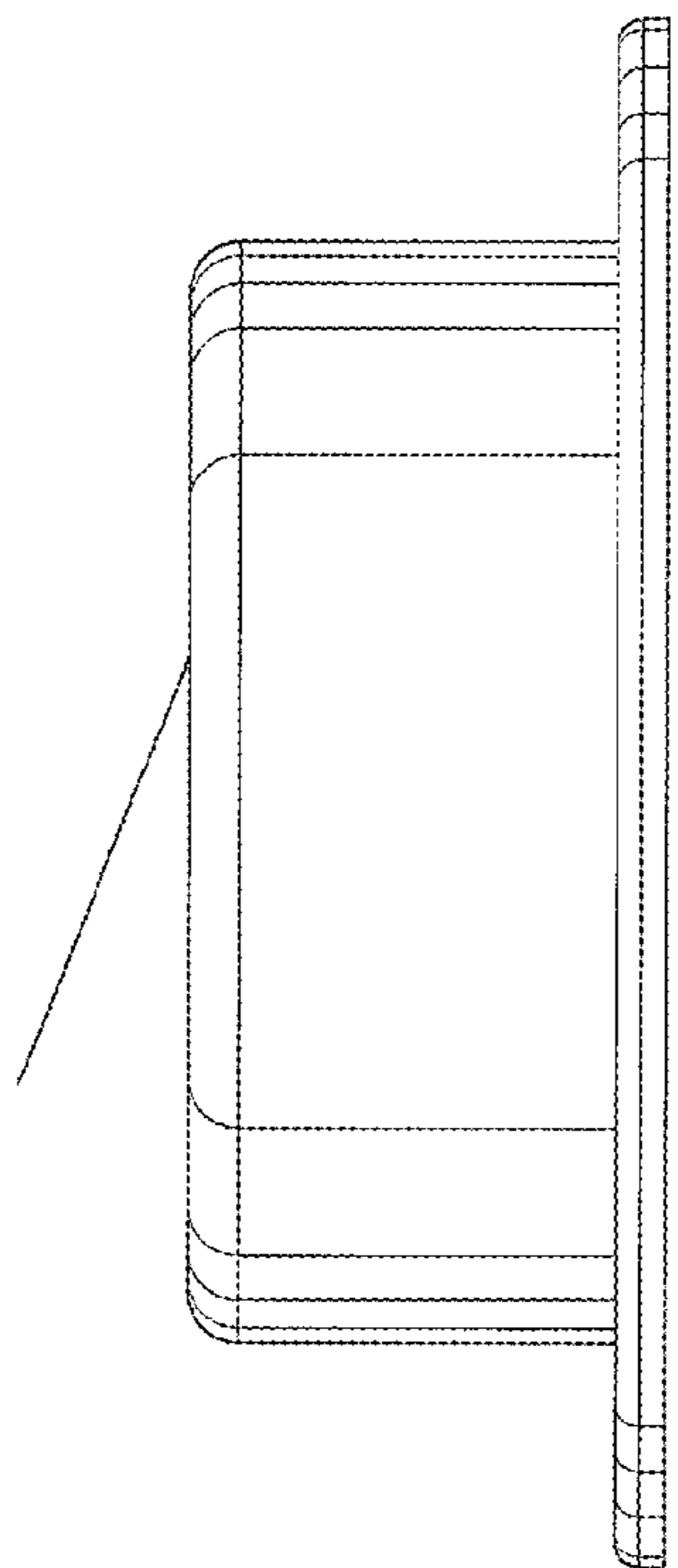


Fig. 4

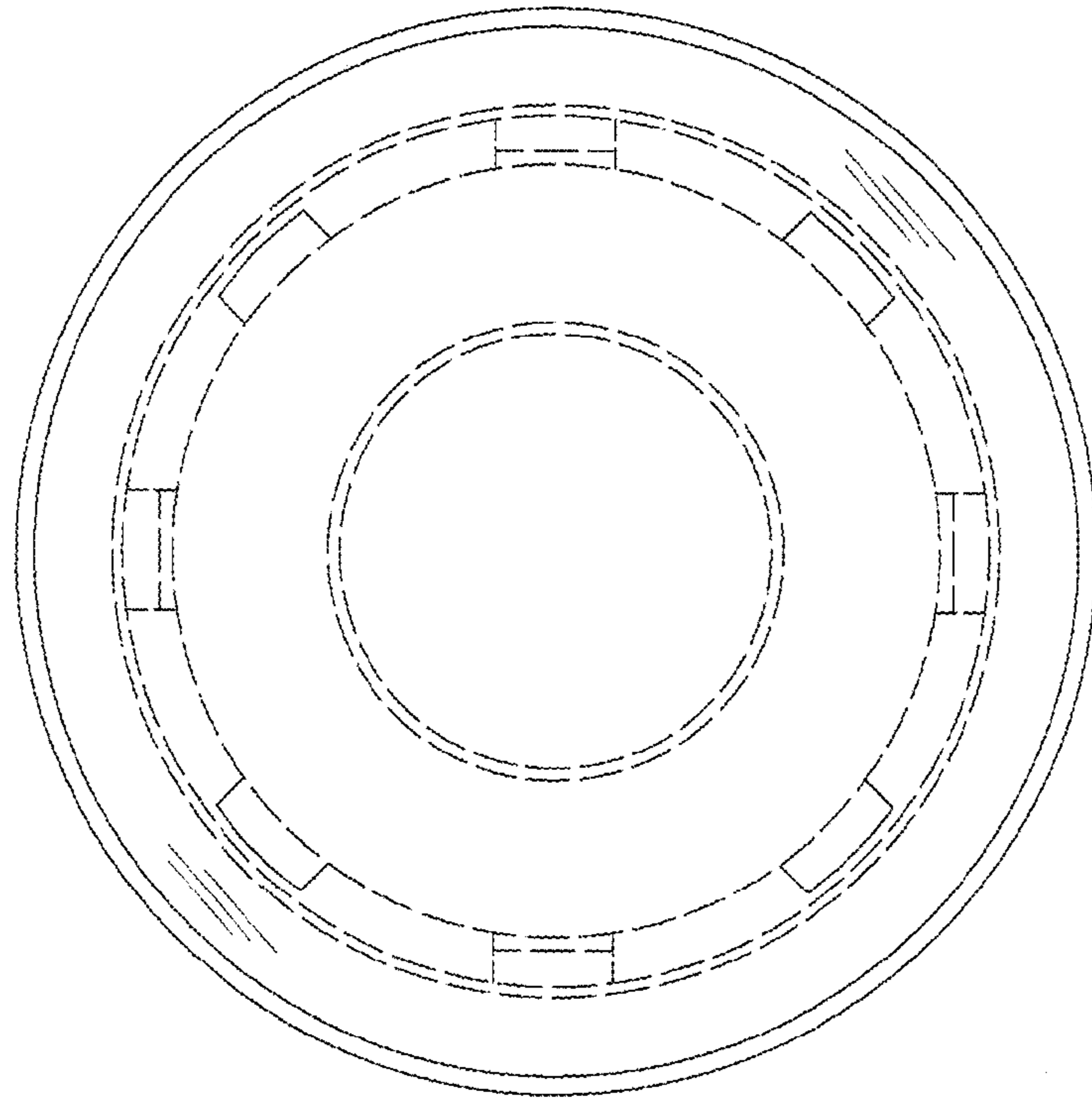


Fig. 6

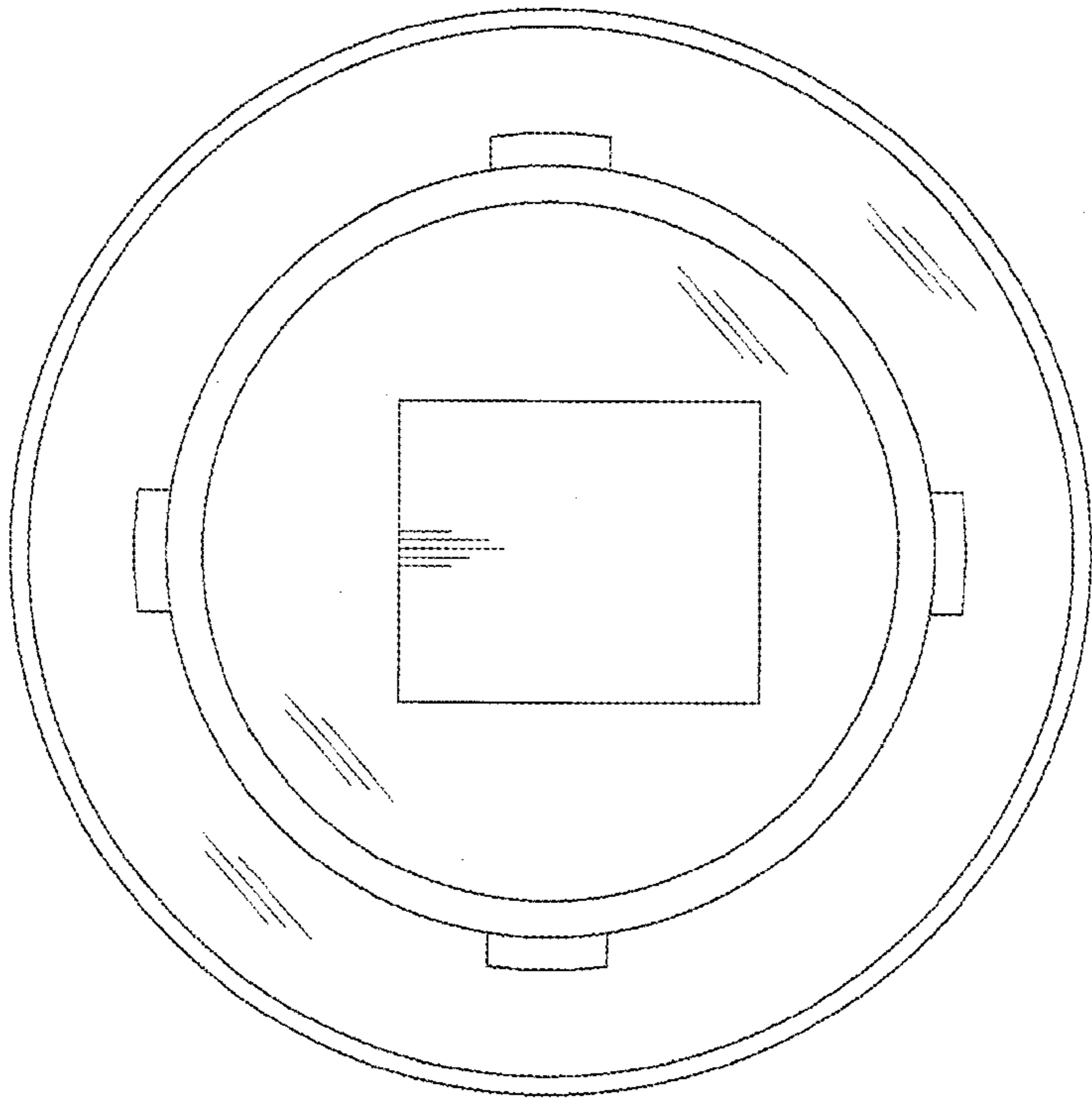


Fig. 5

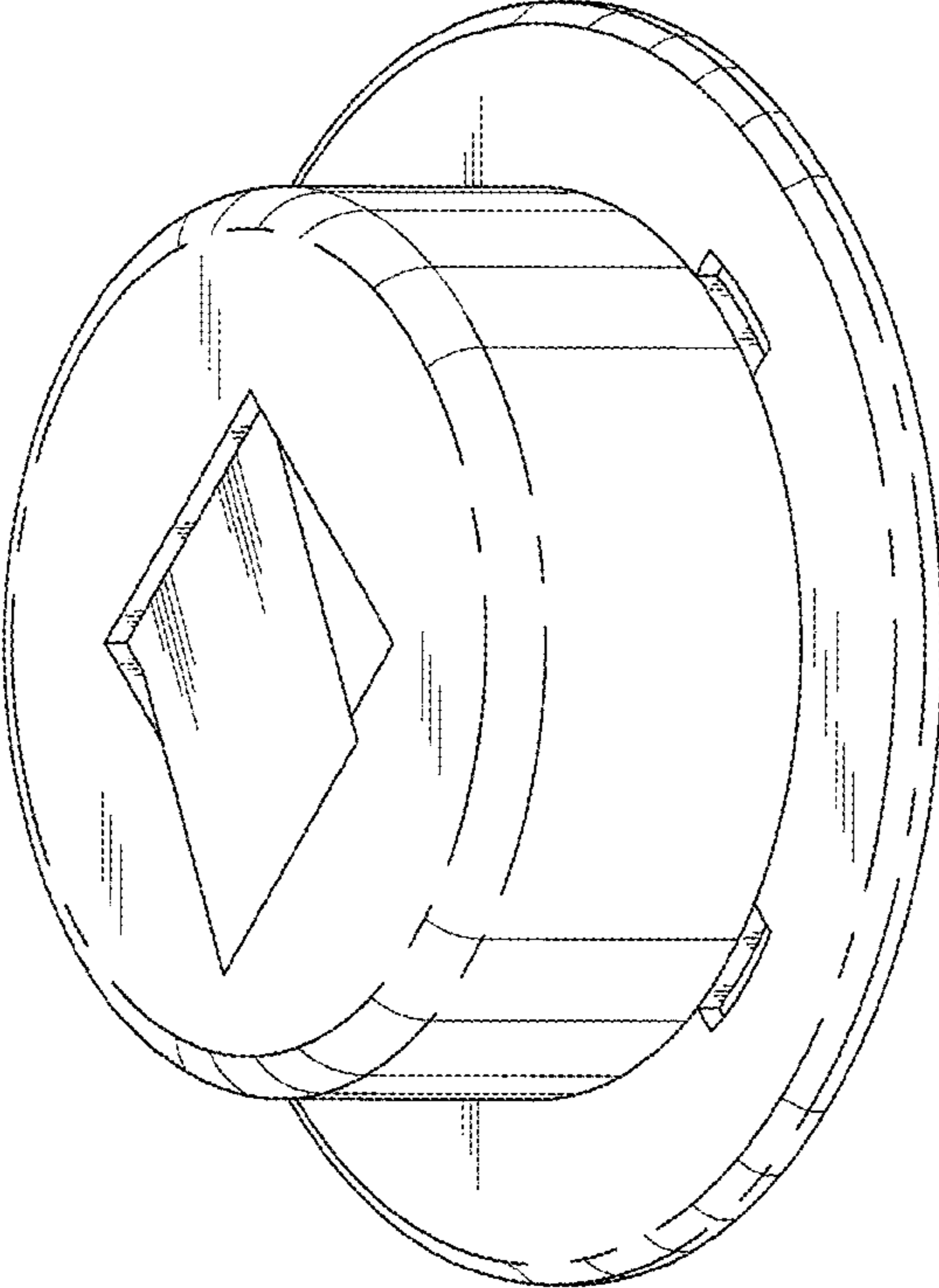


Fig. 7