



US00D736313S

(12) **United States Design Patent**  
**Bacigalupi et al.**

(10) **Patent No.:** **US D736,313 S**

(45) **Date of Patent:** **\*\* Aug. 11, 2015**

(54) **CUTTING MAT TEMPLATE**

(71) Applicant: **ClearPlex Corporation**, Sandy, UT (US)

(72) Inventors: **Bradley Bacigalupi**, Provo, UT (US);  
**Peter Jensen**, Morgan Hill, CA (US)

(73) Assignee: **Clearplex Corporation**, Salt Lake City, UT (US)

(\*\*) Term: **14 Years**

(21) Appl. No.: **29/496,177**

(22) Filed: **Jul. 10, 2014**

(51) **LOC (10) Cl.** ..... **19-06**

(52) **U.S. Cl.**  
USPC ..... **D19/37**

(58) **Field of Classification Search**  
USPC ..... D10/61, 62, 64, 71; D19/37, 39, 40,  
D19/113; 33/429, 474, 482-492, 562-566  
See application file for complete search history.

(56) **References Cited**

**U.S. PATENT DOCUMENTS**

1,587,133	A *	6/1926	Anhof	.....	283/115
2,517,159	A *	8/1950	Allen	.....	33/486
3,766,654	A *	10/1973	Canton	.....	33/565
4,098,160	A *	7/1978	Weil	.....	83/468
4,230,164	A *	10/1980	Mericle	.....	144/372
4,591,295	A *	5/1986	Collipp	.....	405/195.1
D361,533	S *	8/1995	Kerry, Sr.	.....	D10/64
D364,932	S *	12/1995	Tinen	.....	D25/138
D367,120	S *	2/1996	Tinen	.....	D25/157
5,577,328	A *	11/1996	Kerry, Sr.	.....	33/563

D448,406	S *	9/2001	Lariviere et al.	.....	D19/39
6,317,952	B1 *	11/2001	Vogt	.....	29/402.09
D508,861	S *	8/2005	Zavala	.....	D10/64
7,100,295	B1 *	9/2006	Chang	.....	33/379
D549,115	S *	8/2007	Tucker	.....	D10/64
D577,617	S *	9/2008	Tucker	.....	D10/64
D601,442	S *	10/2009	Haren	.....	D10/64
D608,668	S *	1/2010	Tucker	.....	D10/64
7,770,303	B2 *	8/2010	Graham et al.	.....	33/562
D625,623	S *	10/2010	Smink	.....	D10/64
7,918,032	B2 *	4/2011	Zaremski	.....	33/492
2009/0113737	A1 *	5/2009	Graham et al.	.....	33/562

\* cited by examiner

*Primary Examiner* — Elizabeth Albert

(74) *Attorney, Agent, or Firm* — Workman Nydegger

(57) **CLAIM**

The ornamental design for a cutting mat template, as shown and described.

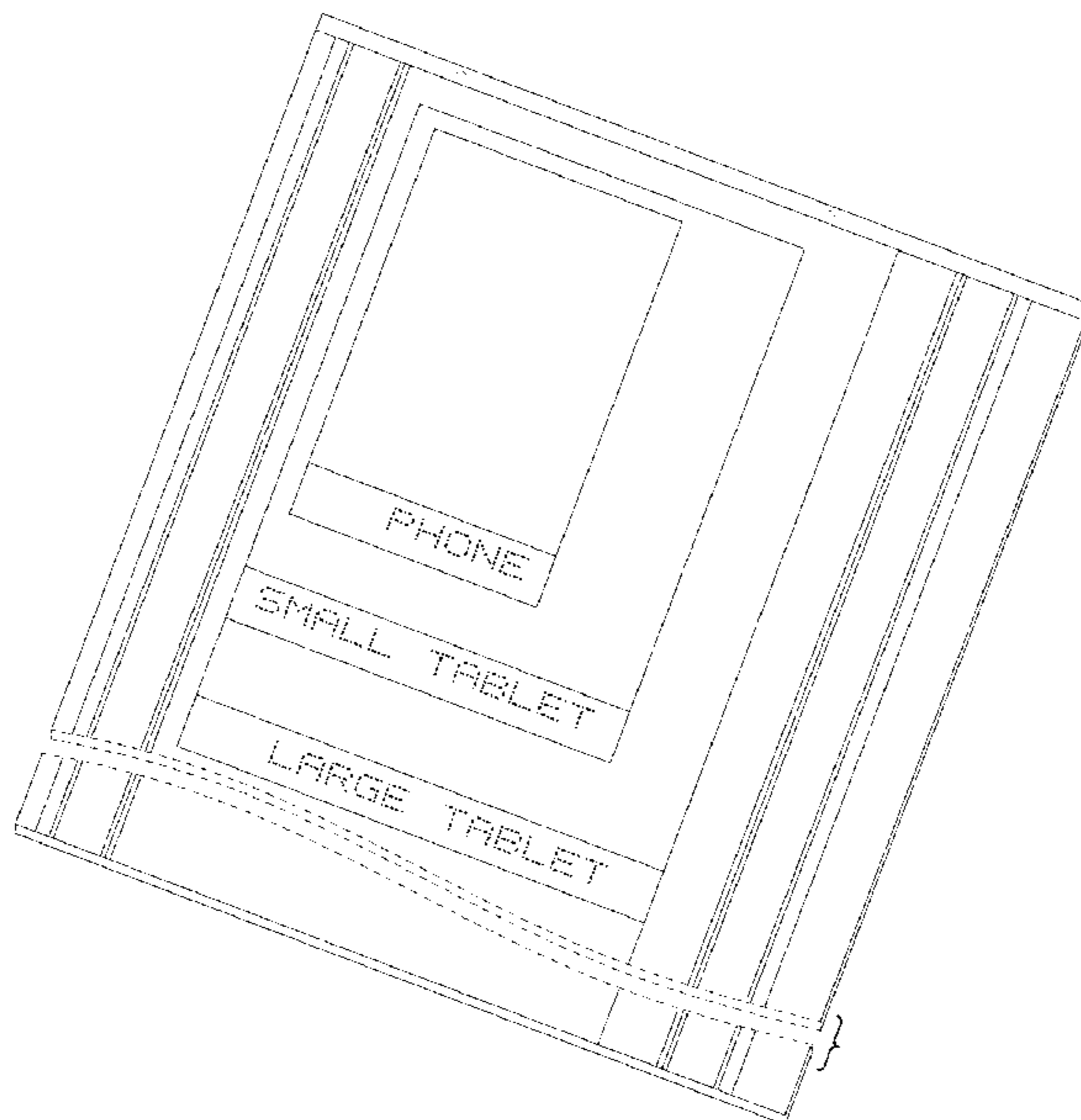
**DESCRIPTION**

FIG. 1 is a perspective view of a cutting mat template showing our new design;  
FIG. 2 is a top plan view as shown in FIG. 1;  
FIG. 3 is a right side elevational view as shown in FIG. 1;  
FIG. 4 is left side elevational view as shown in FIG. 1;  
FIG. 5 is a front elevational view as shown in FIG. 1; and,  
FIG. 6 is a back elevational view as shown in FIG. 1.

The article is shown with a symbolic break in the length. The appearance of any portion of the article between the break lines forms no part of the claimed design.

The broken lines in the figures are included for the purpose of illustrating environmental subject matter and form no part of the claimed design.

**1 Claim, 3 Drawing Sheets**



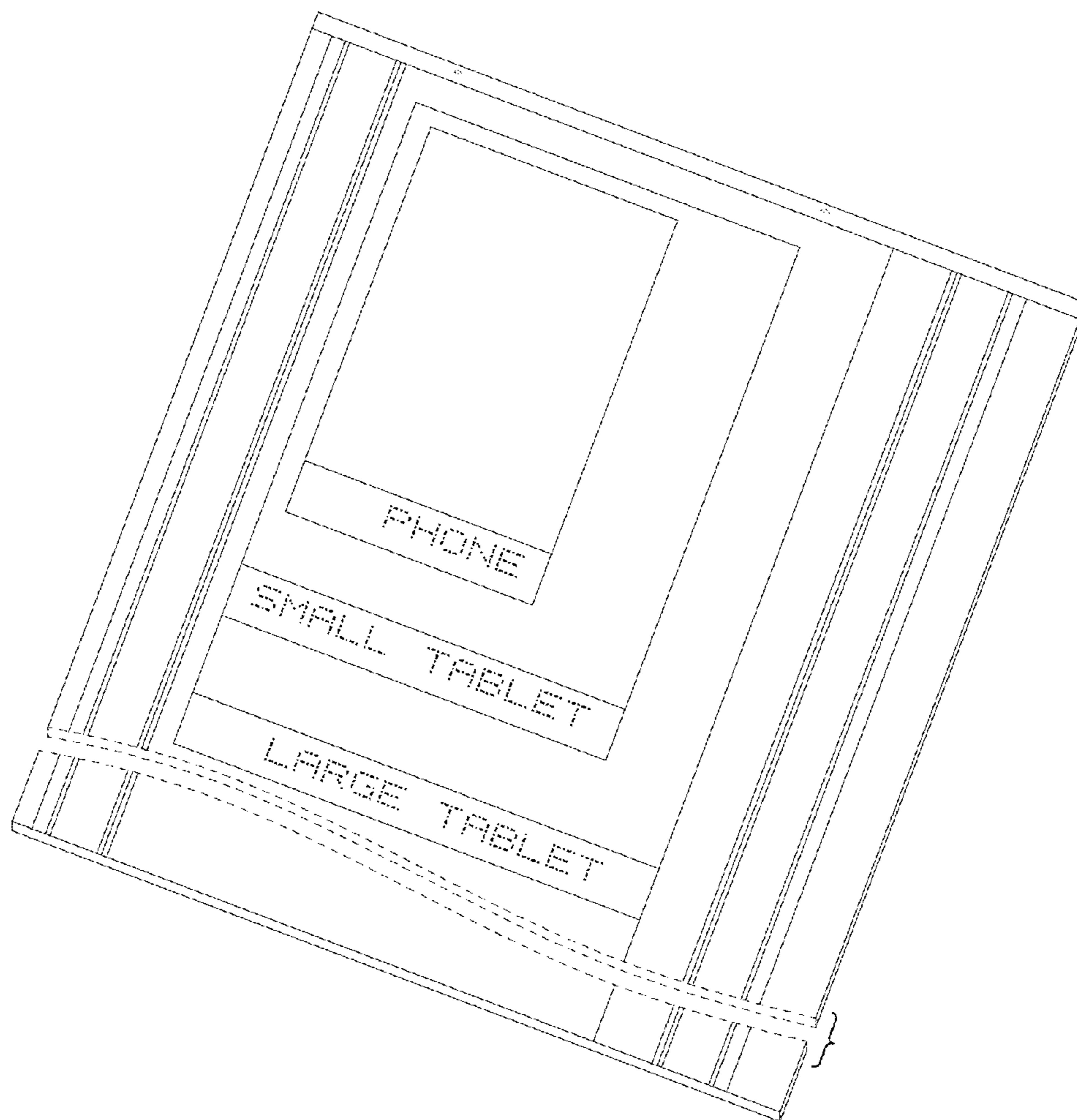


FIG. 1

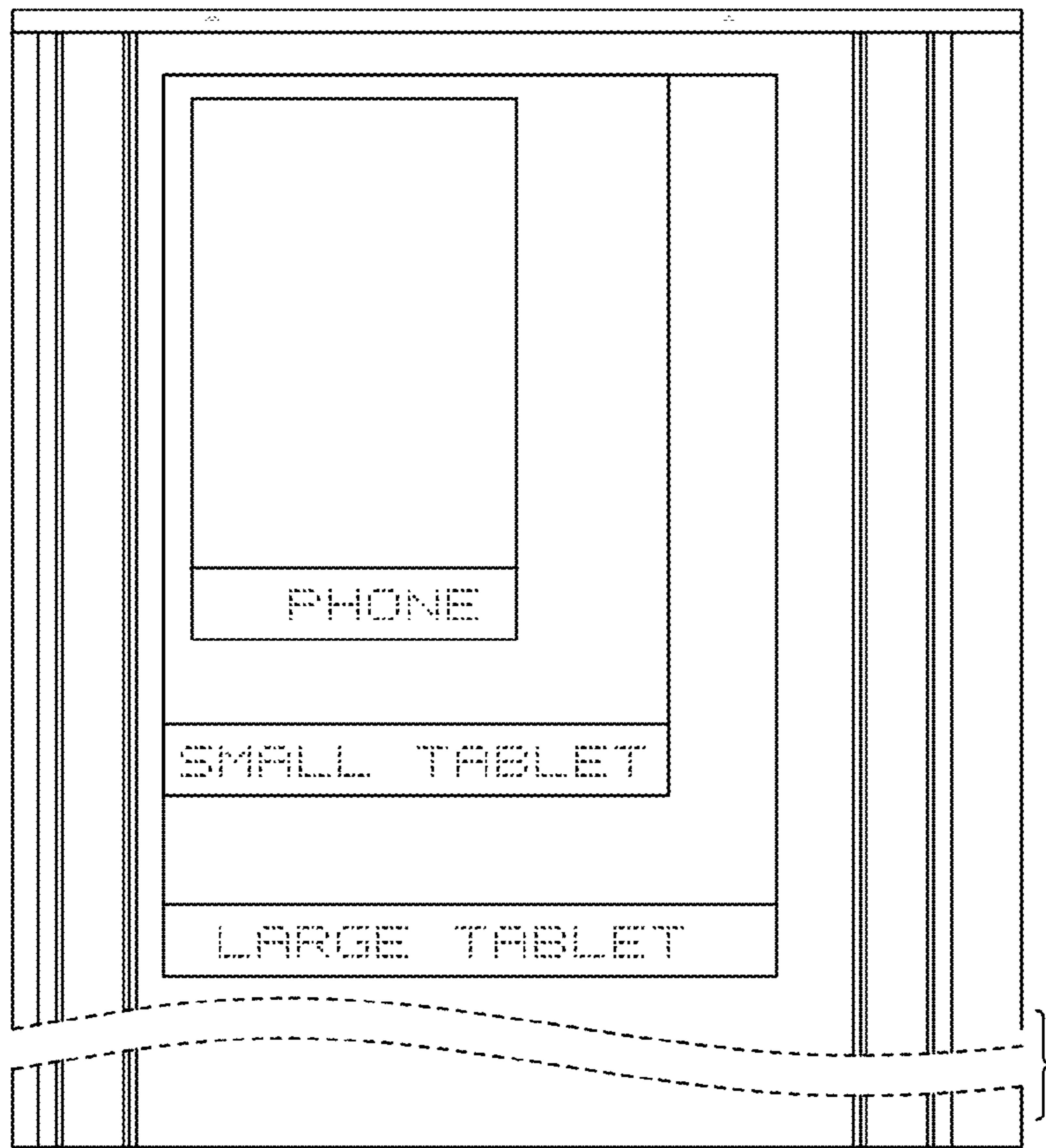


FIG. 2

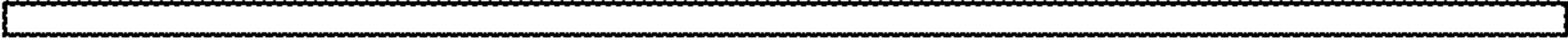


FIG. 5



FIG. 3



FIG. 4

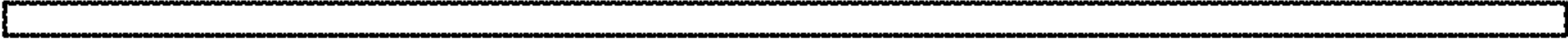


FIG. 6