

US00D736311S

(12) **United States Design Patent**  
**Yamada et al.**

(10) **Patent No.:** **US D736,311 S**

(45) **Date of Patent:** **\*\* Aug. 11, 2015**

(54) **PRINTER**

(71) Applicants: **Kazuyoshi Yamada**, Ohta-ku (JP); **Yuta Nishimura**, Ohta-ku (JP)

(72) Inventors: **Kazuyoshi Yamada**, Ohta-ku (JP); **Yuta Nishimura**, Ohta-ku (JP)

(73) Assignee: **RICOH COMPANY, LTD.**, Tokyo (JP)

(\*\*) Term: **14 Years**

(21) Appl. No.: **29/478,676**

(22) Filed: **Jan. 7, 2014**

(30) **Foreign Application Priority Data**

Jul. 24, 2013 (JP) ..... 2013-016838

(51) **LOC (10) Cl.** ..... **14-02**

(52) **U.S. Cl.**  
USPC ..... **D18/50**

(58) **Field of Classification Search**  
USPC ..... D18/50, 54.1, 54, 55; D14/347,  
D14/420-425, 462-470; 400/613,  
400/613.1-613.4, 690.1-690.4, 691-694  
See application file for complete search history.

(56) **References Cited**

**U.S. PATENT DOCUMENTS**

D369,382 S \* 4/1996 Matsunaga et al. .... D18/55  
D430,163 S \* 8/2000 Gatto et al. .... D14/422  
D432,564 S \* 10/2000 Miyazawa ..... D18/54

D498,492 S \* 11/2004 Miyauchi et al. .... D18/50  
D525,292 S \* 7/2006 Inoue et al. .... D18/50  
D532,816 S \* 11/2006 Smith et al. .... D18/50  
D540,852 S \* 4/2007 Huang et al. .... D18/50  
D549,771 S \* 8/2007 Egami et al. .... D18/50  
D562,886 S \* 2/2008 Egami et al. .... D18/55  
D579,486 S \* 10/2008 Gant et al. .... D18/56  
D590,013 S \* 4/2009 Miticocchio et al. .... D18/50  
D634,358 S \* 3/2011 Yoshioka et al. .... D18/50  
D674,838 S \* 1/2013 Kano et al. .... D18/50  
D679,674 S \* 4/2013 Duc et al. .... D14/347  
D701,862 S \* 4/2014 Lee et al. .... D14/420

\* cited by examiner

*Primary Examiner* — Cathy A MacCormac

(74) *Attorney, Agent, or Firm* — Oblon, McClelland, Maier & Neustadt, L.L.P.

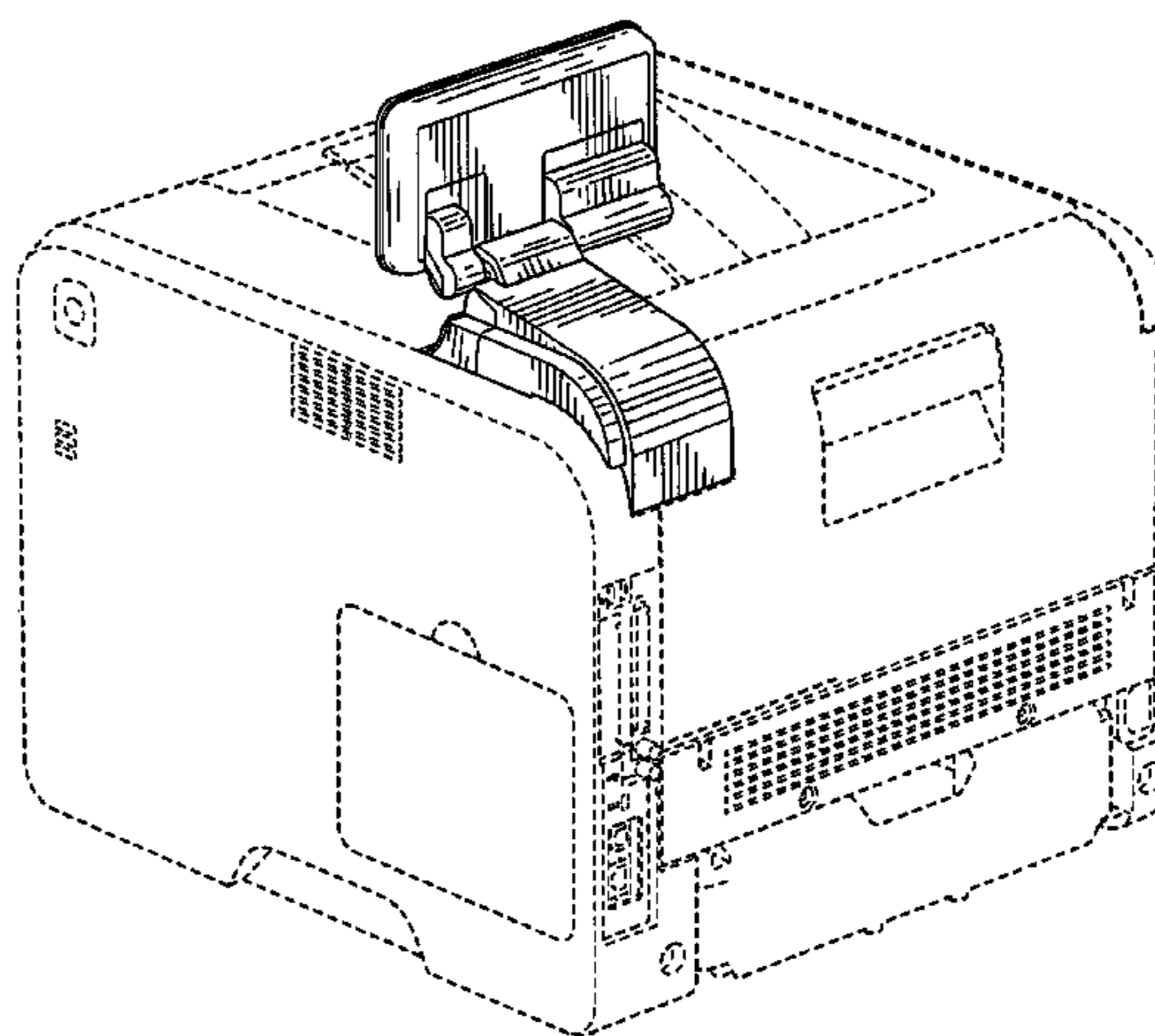
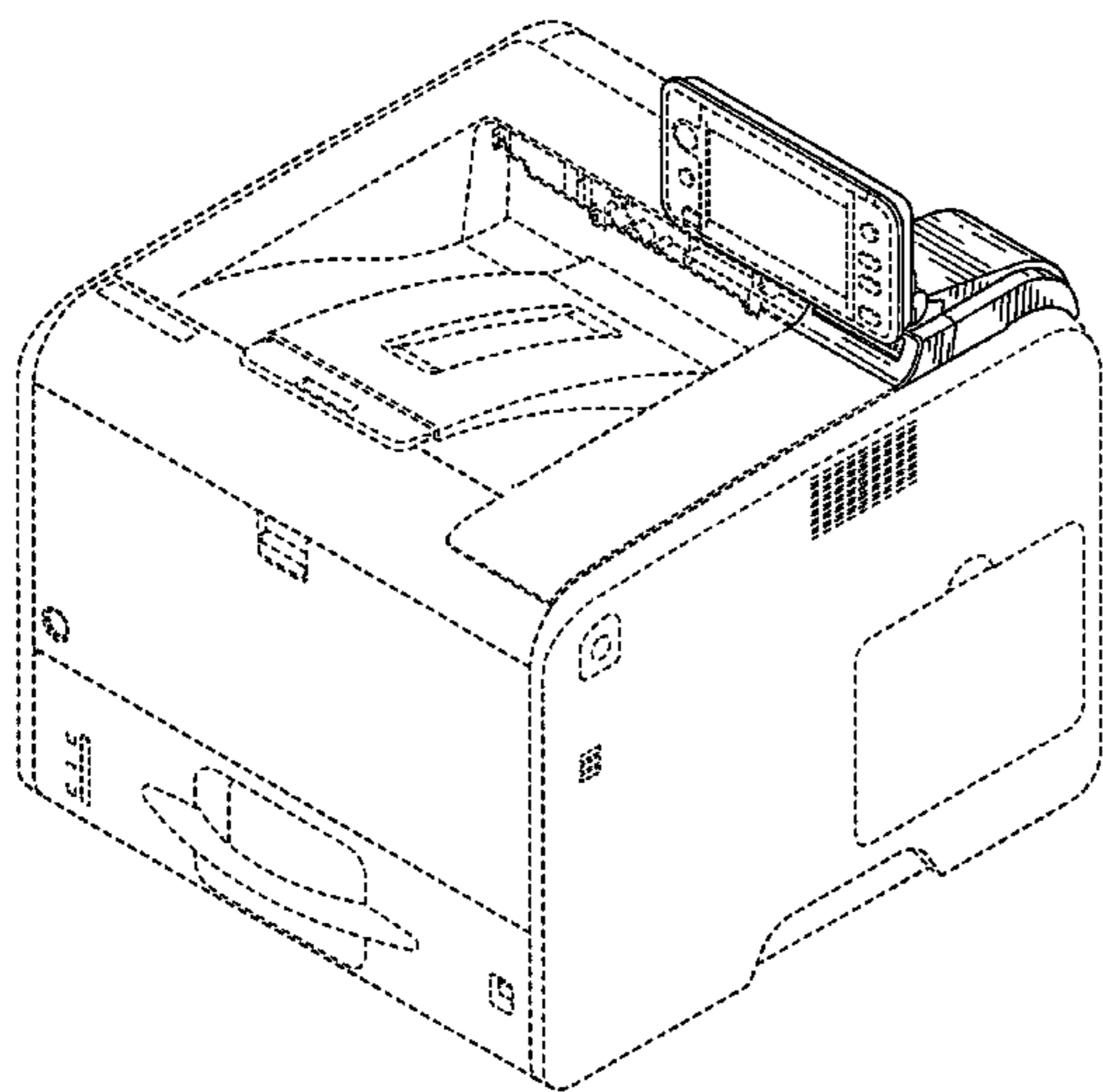
(57) **CLAIM**

The ornamental design for a printer, as shown and described.

**DESCRIPTION**

FIG. 1 is a front elevational view of a printer;  
FIG. 2 is a rear elevational view thereof;  
FIG. 3 is a left side elevational view thereof;  
FIG. 4 is a right side elevational view thereof;  
FIG. 5 is a top plan view thereof;  
FIG. 6 is a bottom plan view thereof;  
FIG. 7 is a front, top, and right side perspective view thereof;  
and,  
FIG. 8 is a rear, top, and right side perspective view thereof.  
The broken lines in the drawings depict environmental subject matter, are for illustration only and form no part of the claimed design.

**1 Claim, 5 Drawing Sheets**



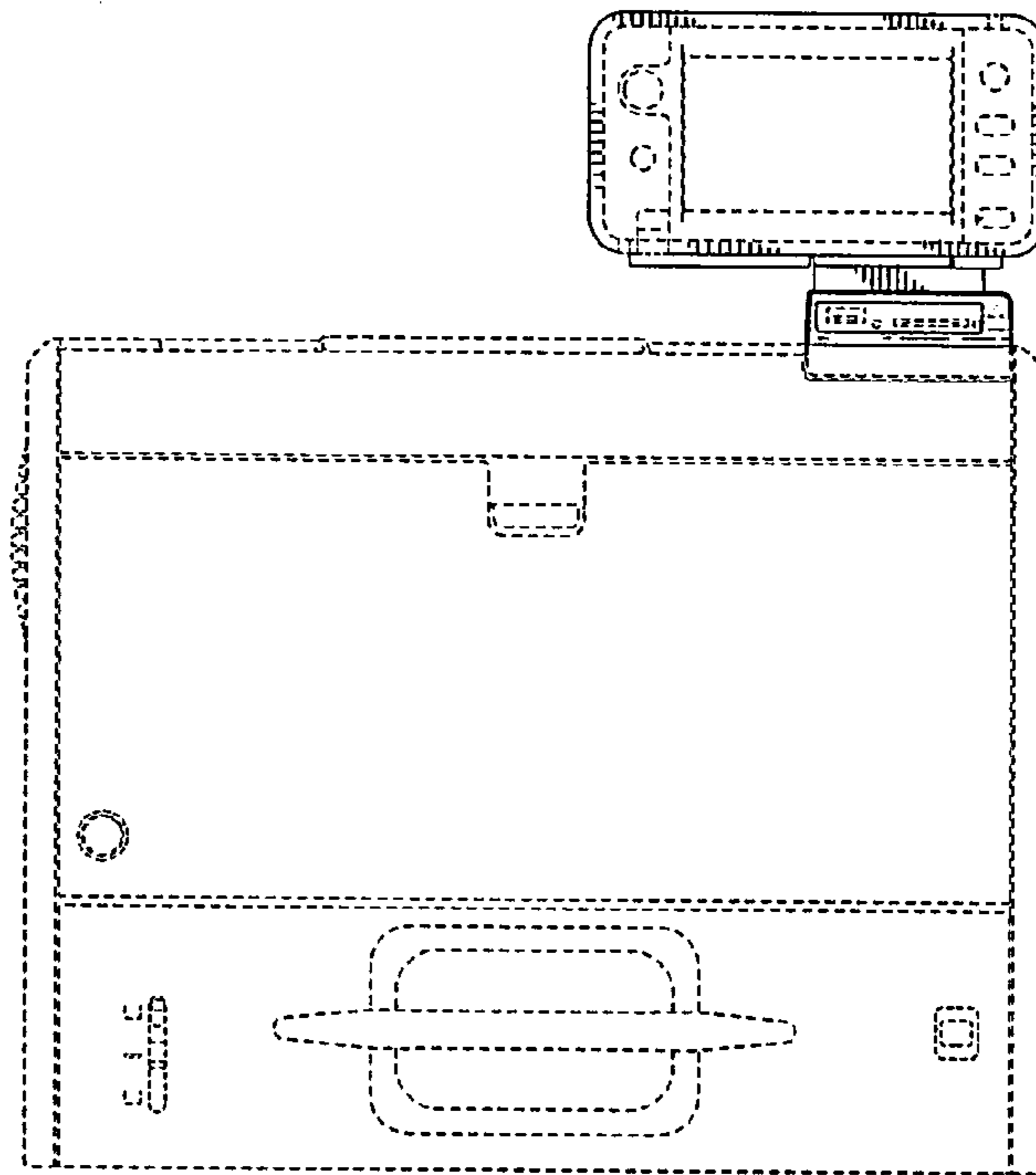


FIG. 1

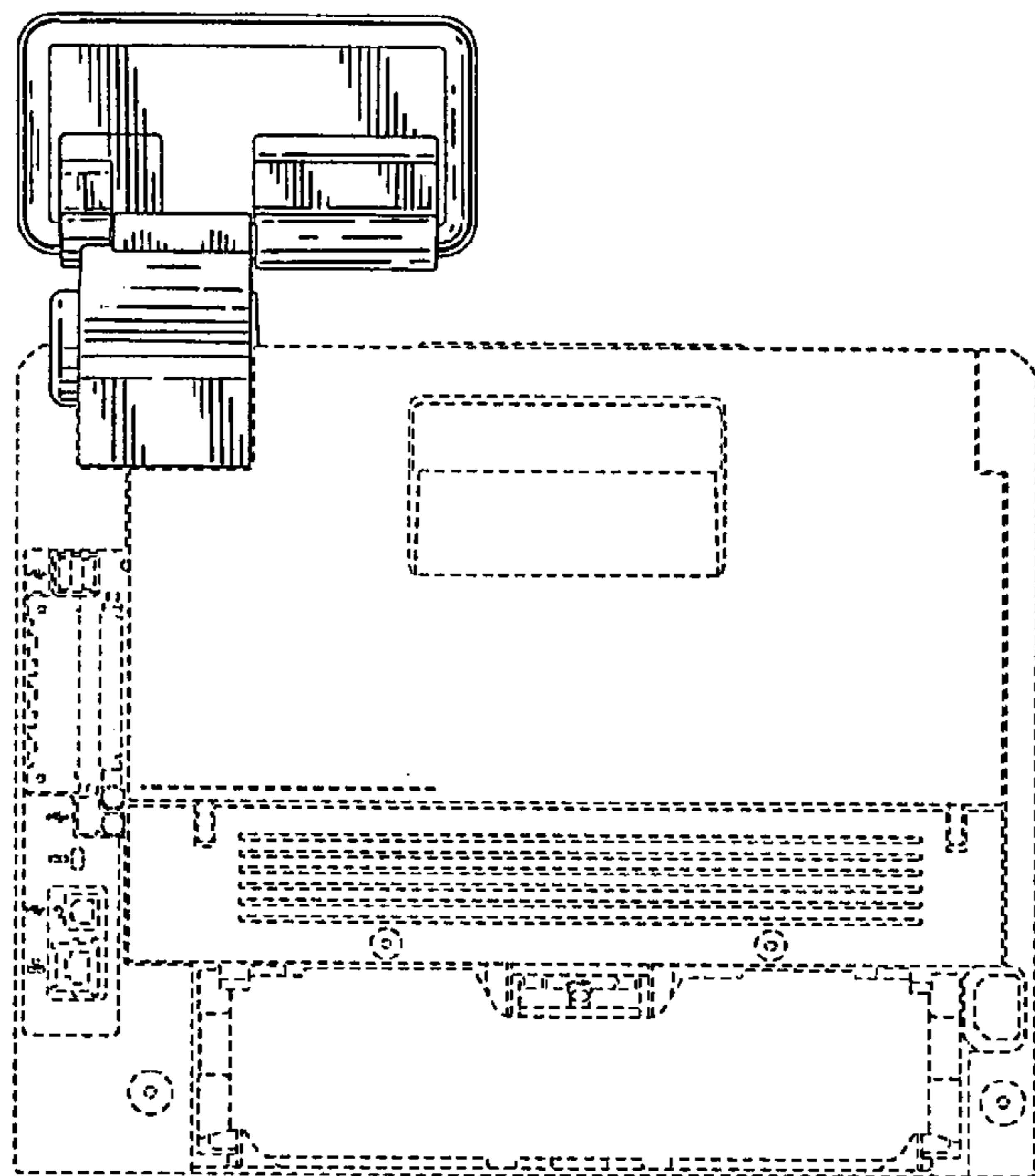


FIG. 2

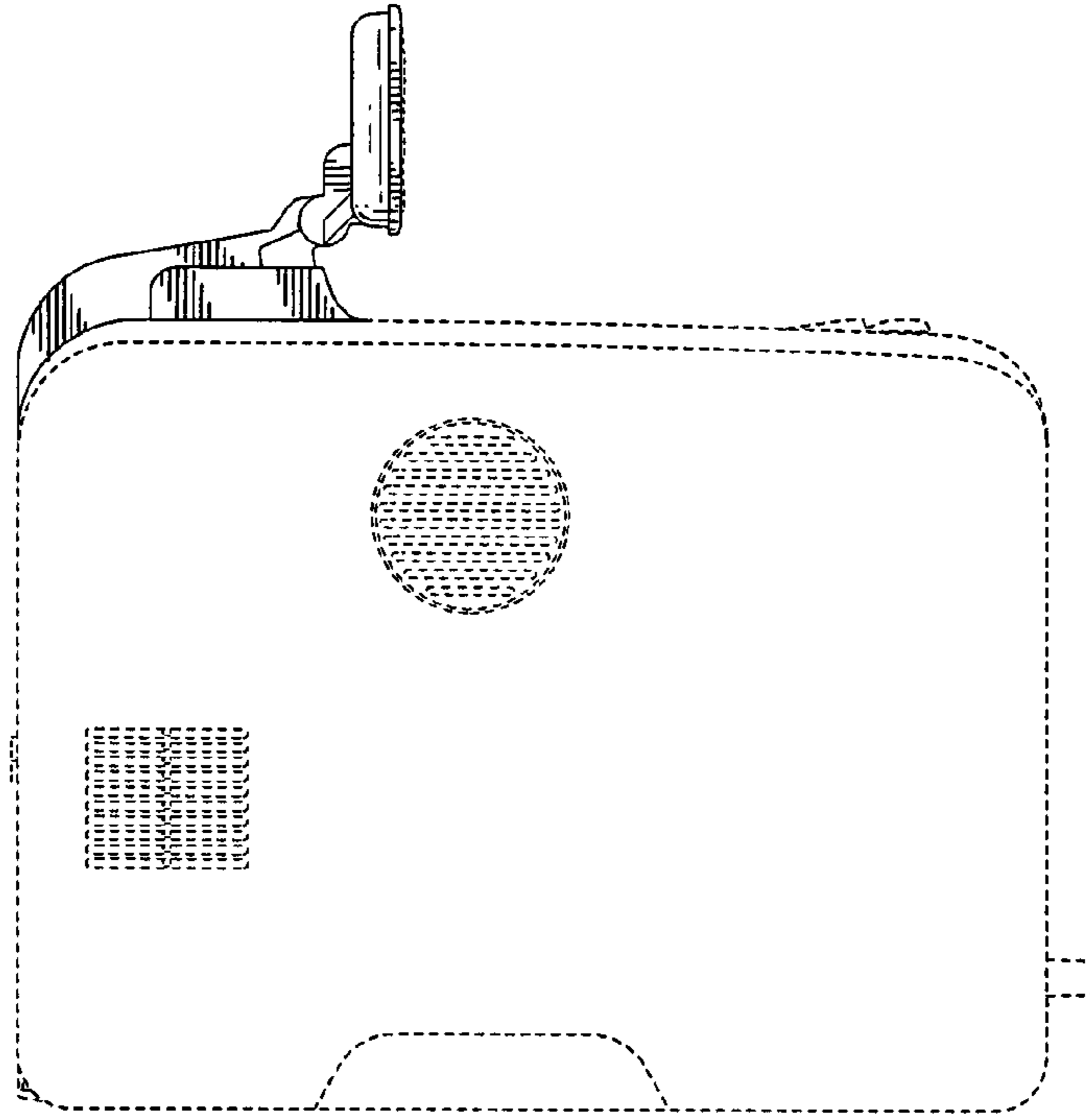


FIG.3

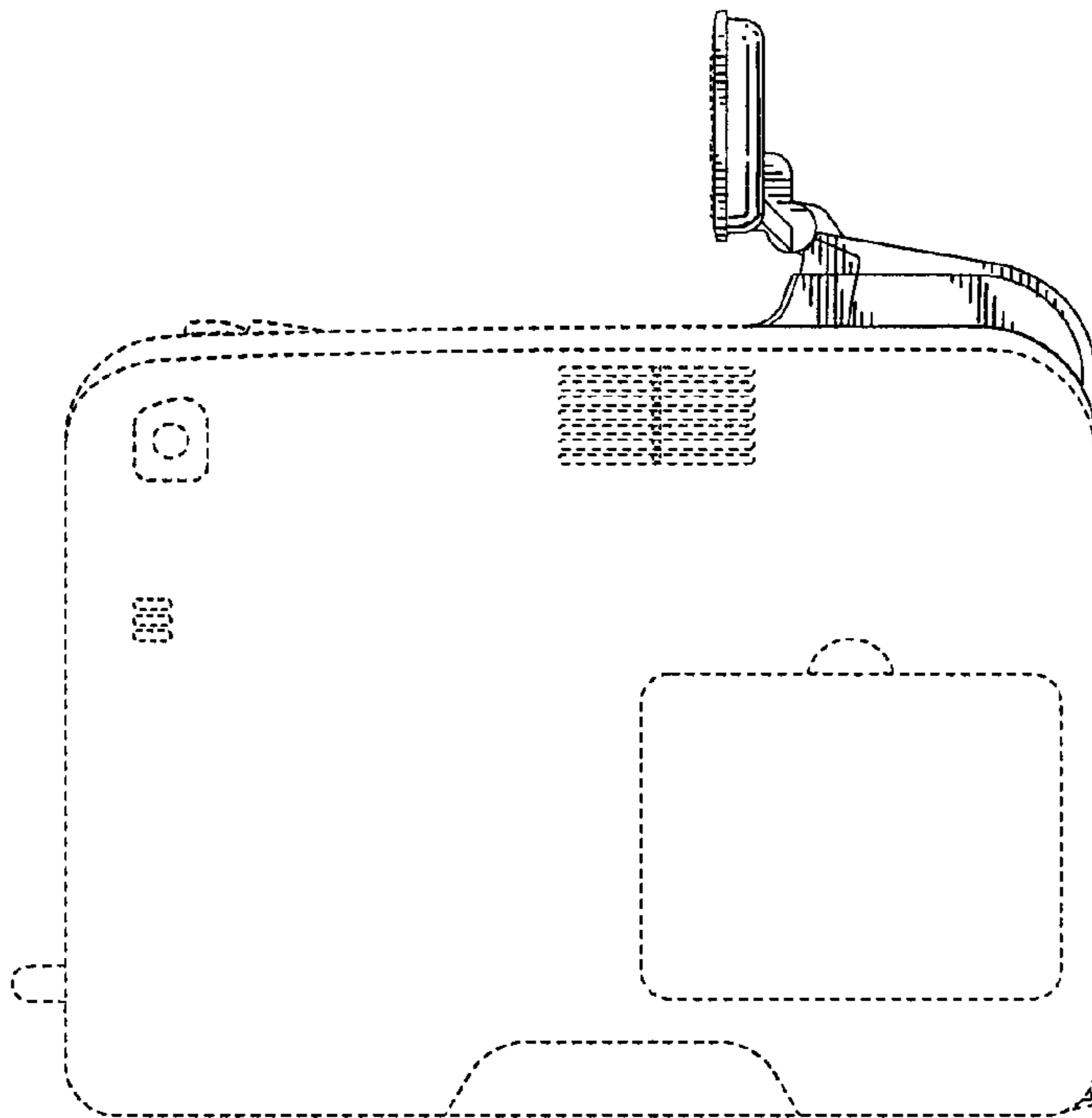


FIG.4

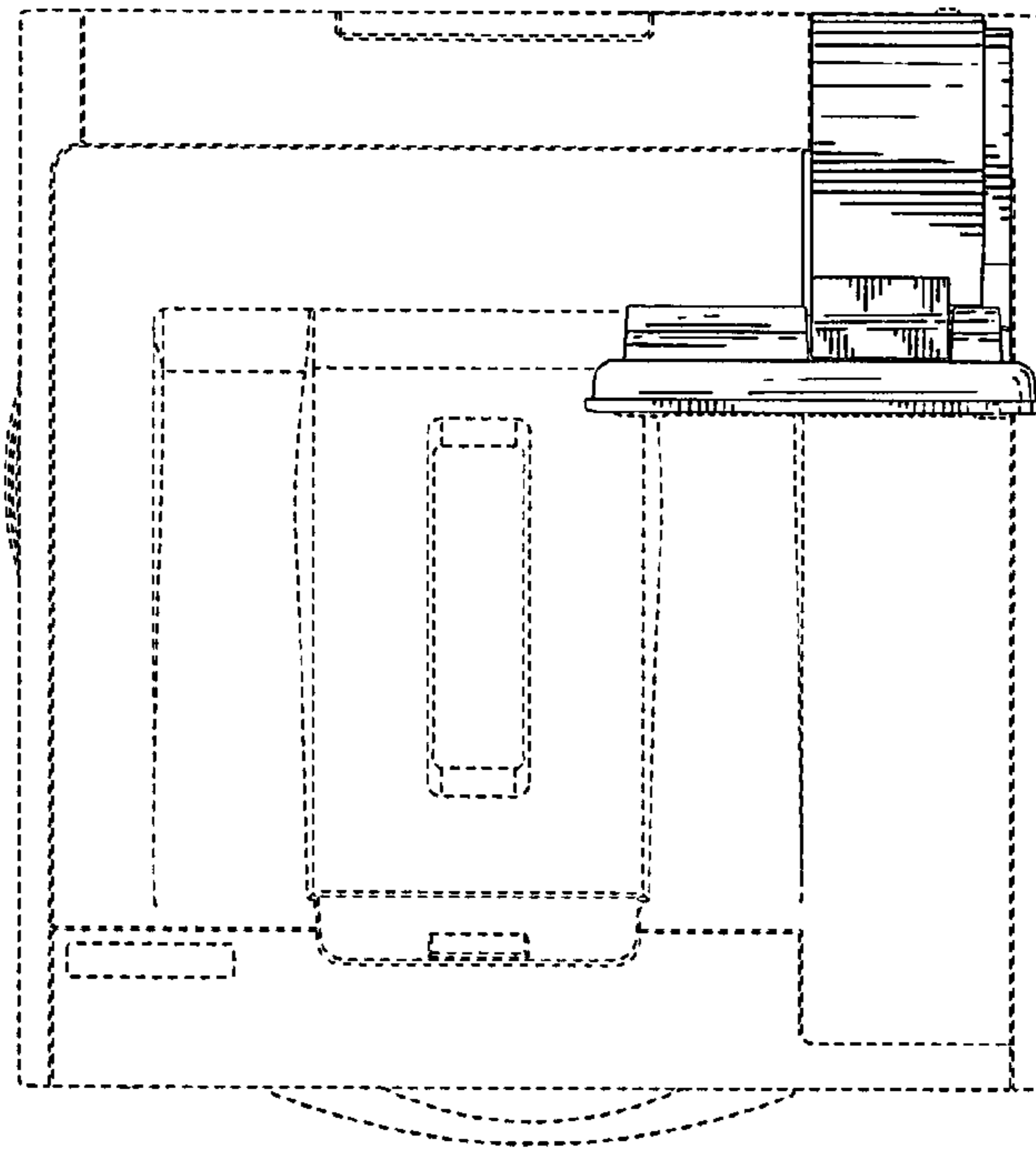


FIG. 5

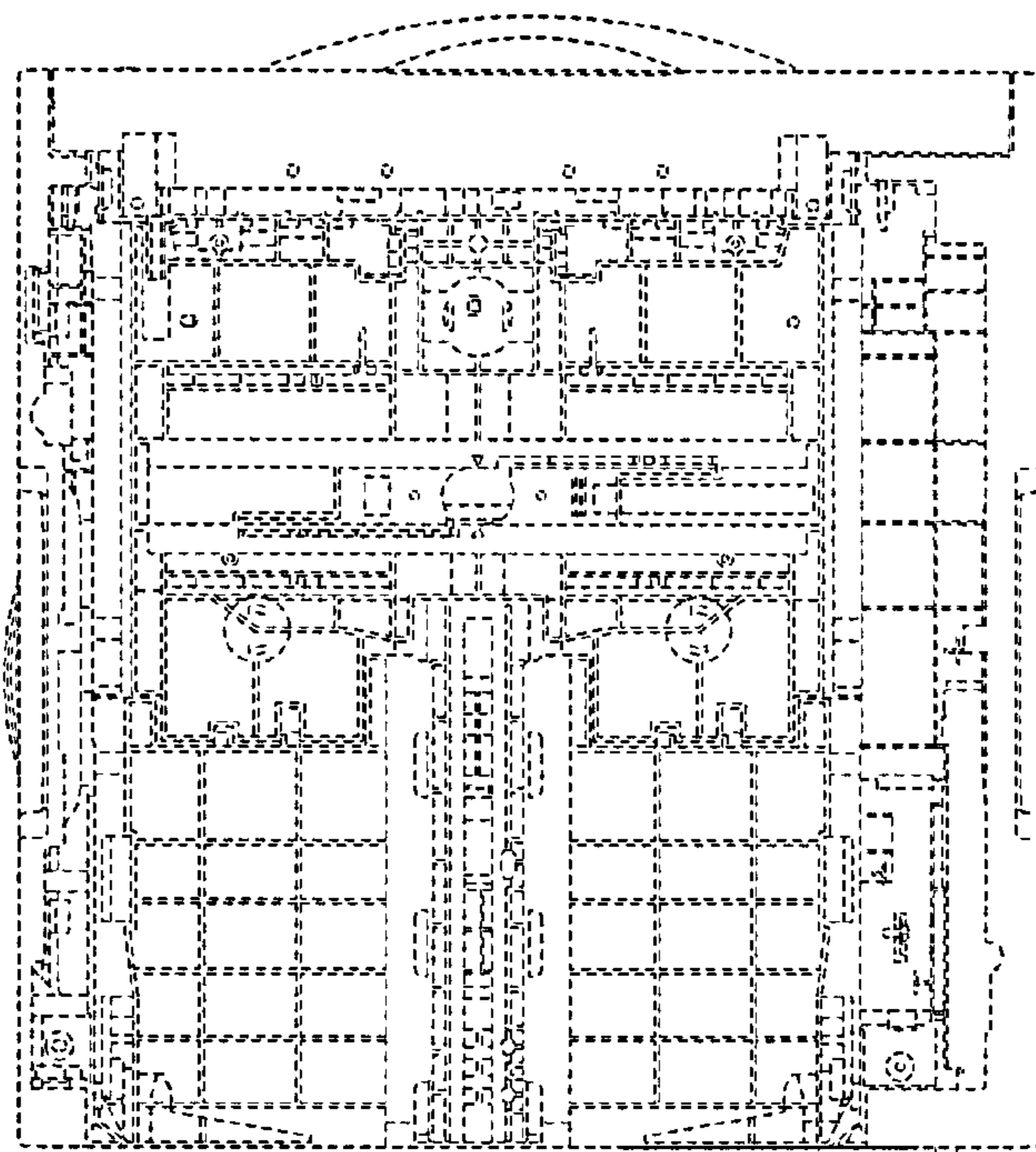


FIG. 6

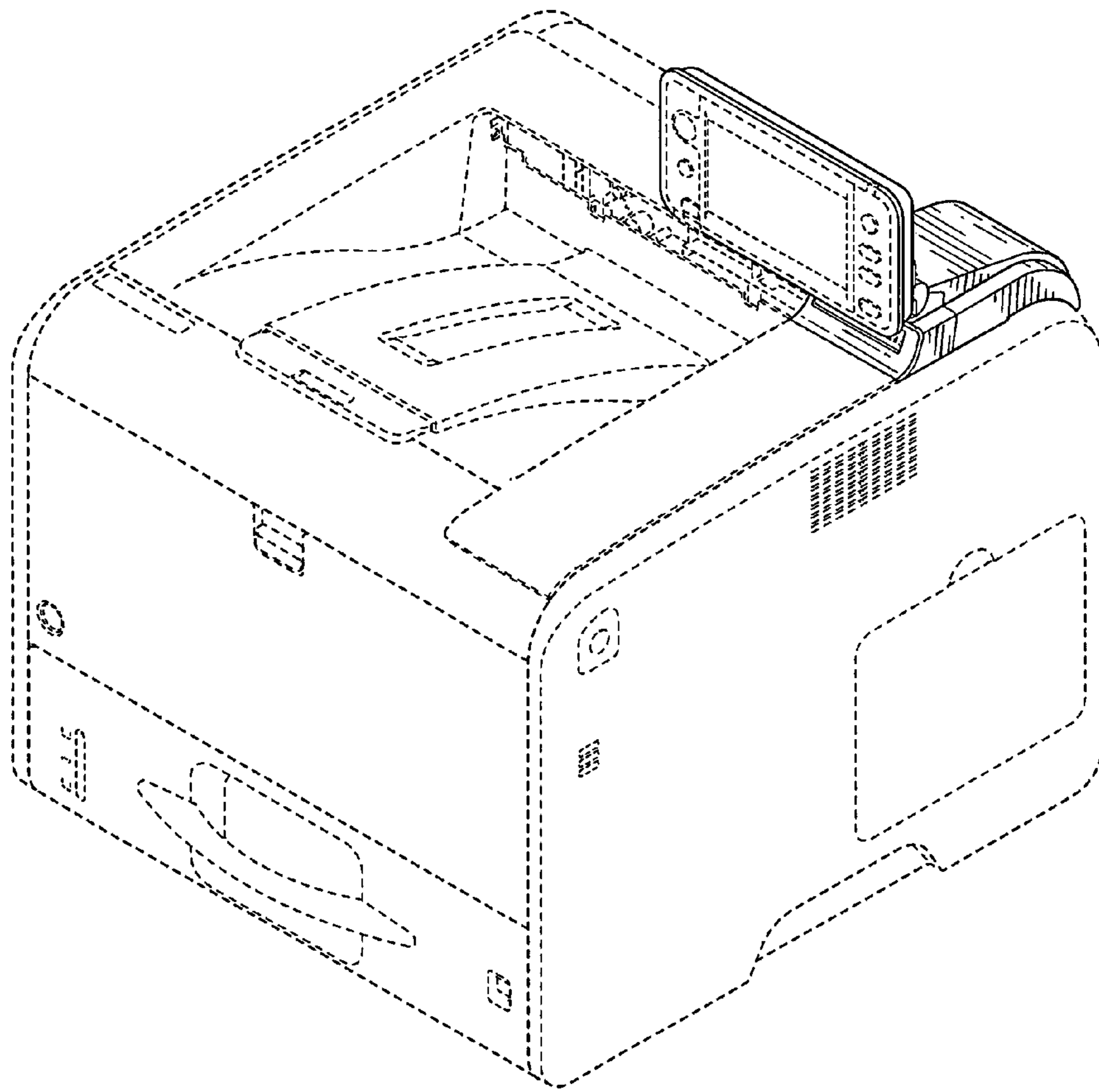


FIG.7

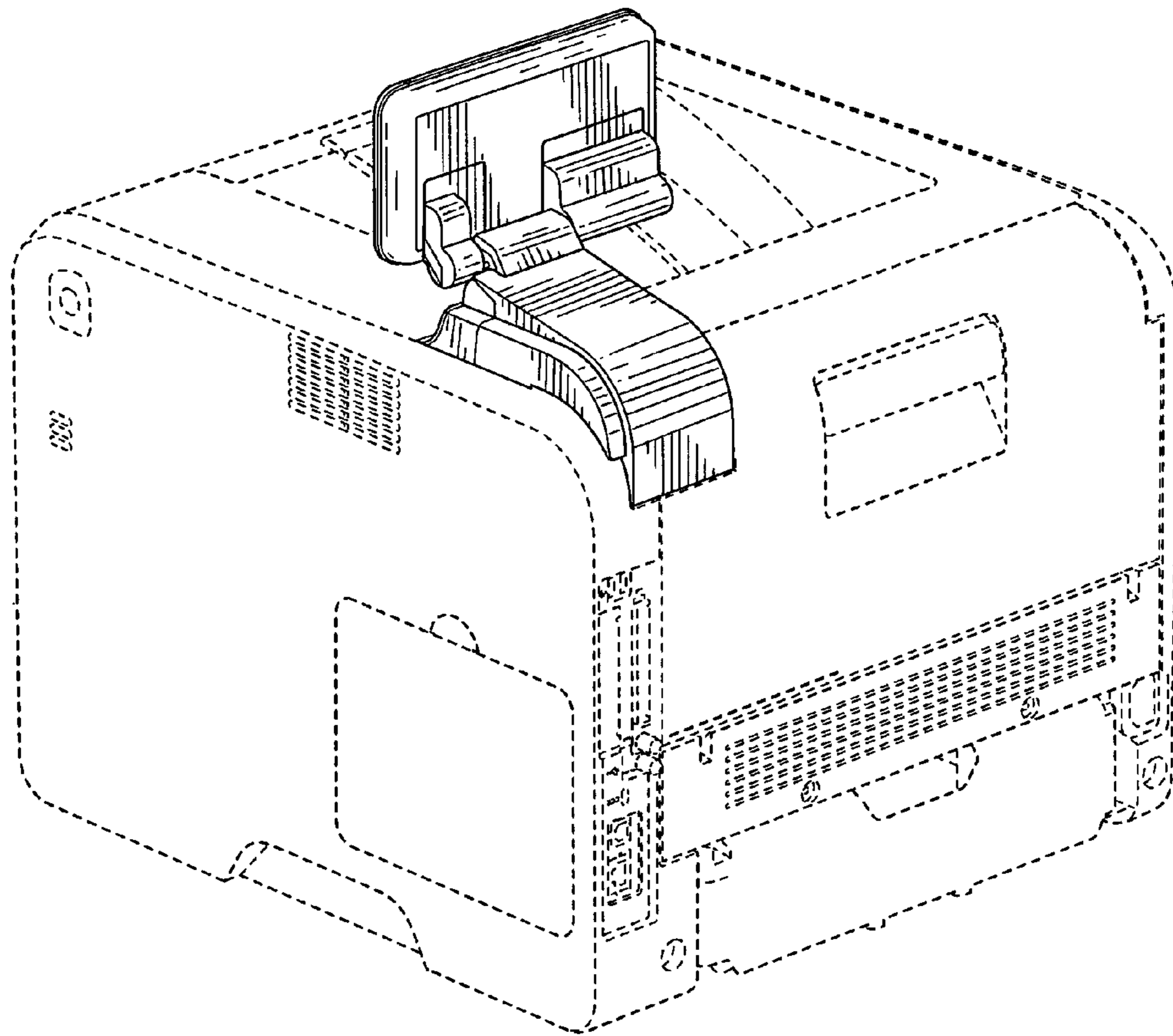


FIG.8