



US00D736309S

(12) **United States Design Patent**
Kang et al.

(10) **Patent No.:** **US D736,309 S**

(45) **Date of Patent:** **** Aug. 11, 2015**

(54) **TONER CARTRIDGE FOR COPY MACHINE**

(56)

References Cited

(71) Applicant: **Samsung Electronics Co., Ltd.**,
Suwon-si, Gyeonggi-do (KR)
(72) Inventors: **Shinhyup Kang**, Suwon-si (KR); **Minsu Han**, Suwon-si (KR)
(73) Assignee: **SAMSUNG ELECTRONICS CO., LTD.** (KR)

U.S. PATENT DOCUMENTS

D478,614 S *	8/2003	Numagami et al.	D18/40
D598,049 S *	8/2009	Park	D18/43
D624,584 S *	9/2010	Park et al.	D18/43
D625,755 S *	10/2010	Park et al.	D18/43
D631,092 S *	1/2011	Nittani et al.	D18/43
D675,672 S *	2/2013	Ohta et al.	D18/43
D692,945 S *	11/2013	Noh et al.	D18/43
D713,872 S *	9/2014	Otsubo et al.	D18/43
2001/0028811 A1 *	10/2001	Kojima et al.	399/111

(**) Term: **14 Years**

* cited by examiner

(21) Appl. No.: **29/480,409**

Primary Examiner — Eric Goodman

Assistant Examiner — Amy Wierenga

(22) Filed: **Jan. 25, 2014**

(74) *Attorney, Agent, or Firm* — Cantor Colburn LLP

(30) **Foreign Application Priority Data**

(57) **CLAIM**

We claim, the ornamental design for a toner cartridge for copy machine, as shown and described.

Jul. 25, 2013 (KR) 30-2013-0038446

DESCRIPTION

(51) **LOC (10) Cl.** **16-03**

(52) **U.S. Cl.**
USPC **D18/43**

(58) **Field of Classification Search**
USPC D18/18, 40, 43, 56, 99; D14/309, 332, D14/471
CPC G03G 15/0832; G03G 15/0834; G03G 15/0836; G03G 15/0837; G03G 15/0867; G03G 15/0868; G03G 15/0872; G03G 15/0877; G03G 15/0898; G03G 15/50; G03G 15/5016; G03G 15/60; G03G 15/65; G03G 2115/0663; G03G 2115/00

FIG. 1 is a front perspective view of a toner cartridge for copy machine showing our new design;
FIG. 2 is a front elevation view of thereof;
FIG. 3 is a rear elevation view of thereof;
FIG. 4 is a side elevation view of thereof;
FIG. 5 is another side elevation view of thereof;
FIG. 6 is a top plan view of thereof; and,
FIG. 7 is a bottom plan view of thereof.
The broken lines illustrating portions of the toner cartridge for copy machine are for environmental purpose only and form no part of the claimed design. The shade lines in the figures show contour and not surface ornamentation.

See application file for complete search history.

1 Claim, 7 Drawing Sheets

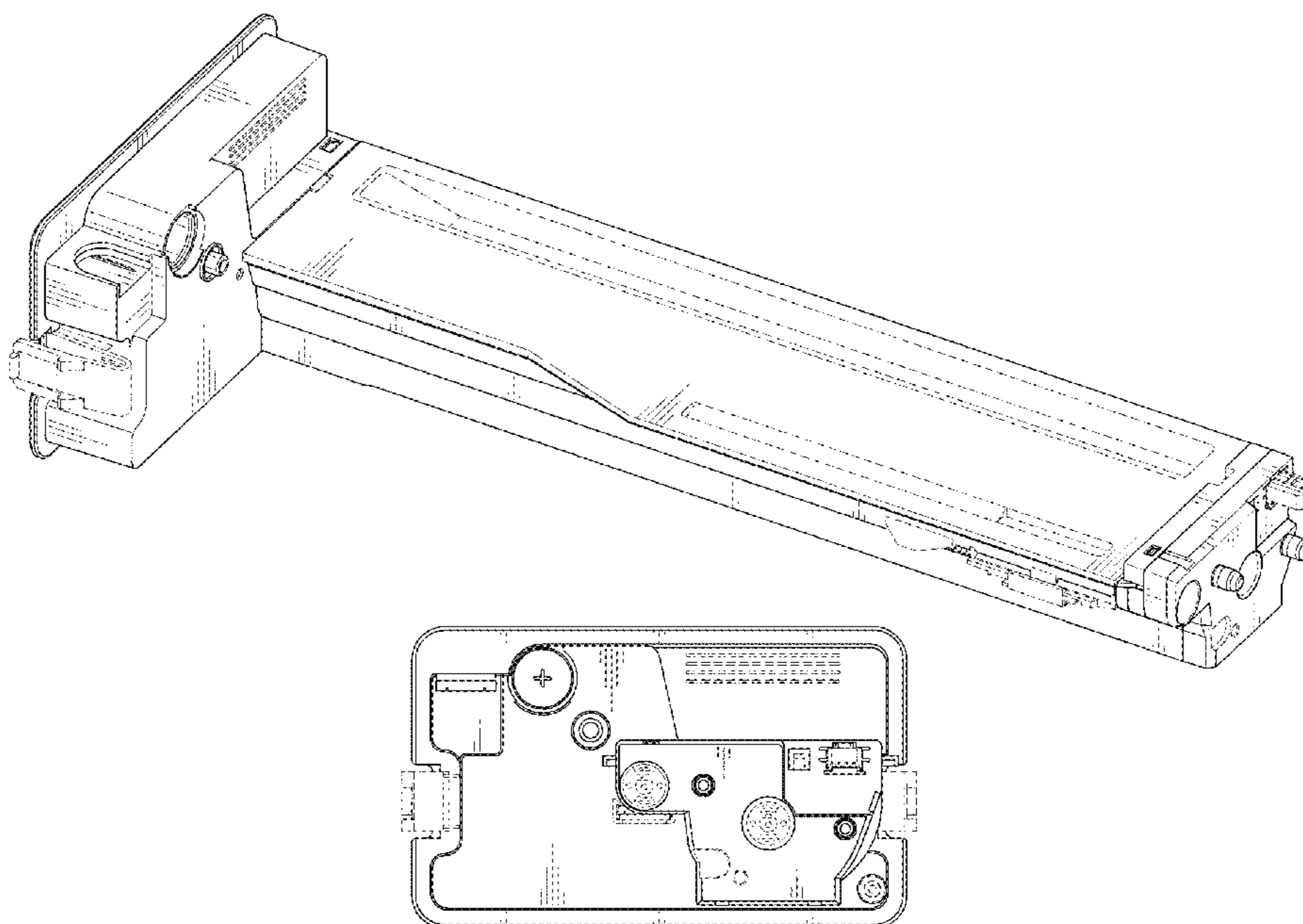


FIG.1

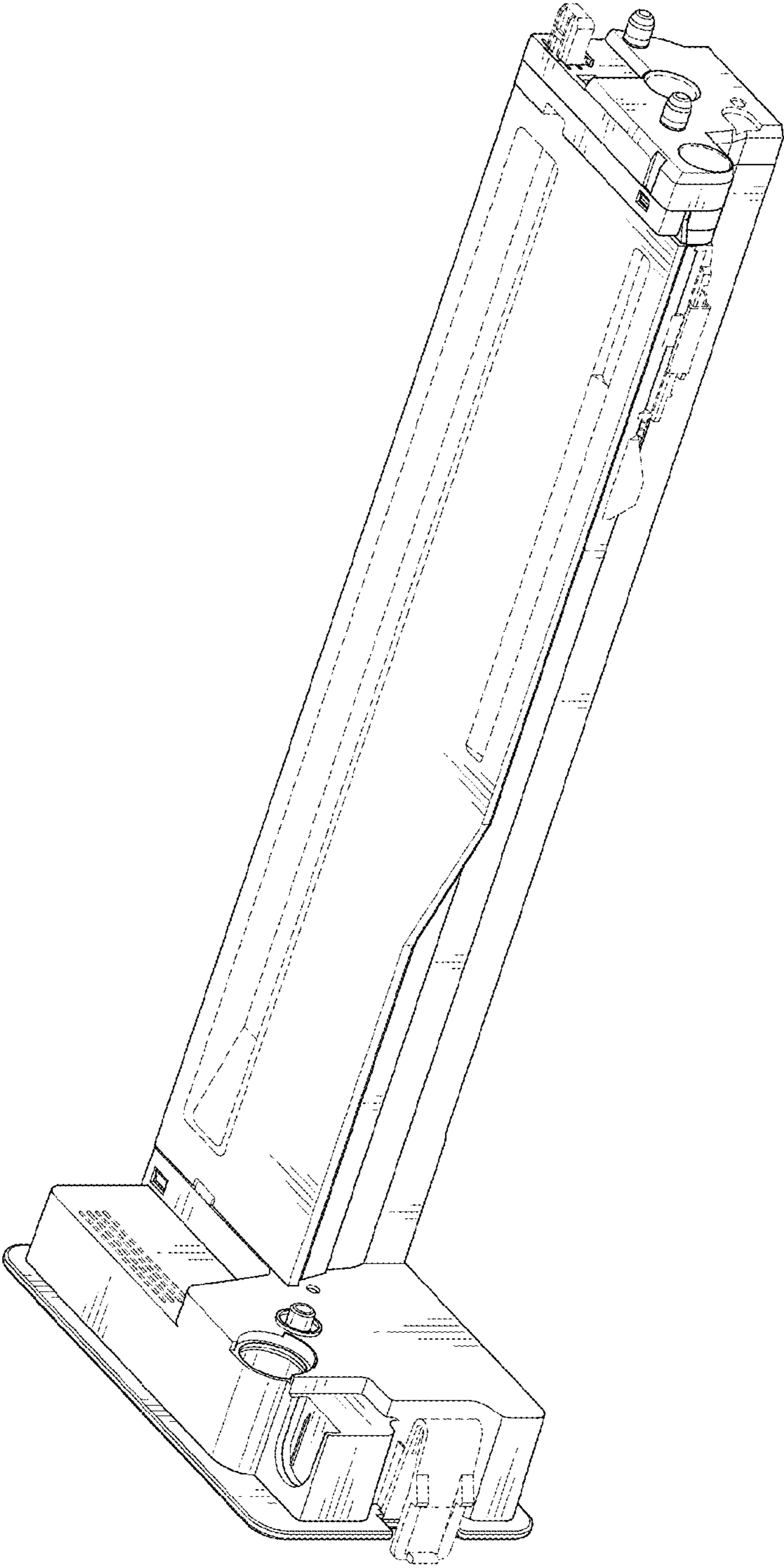


FIG.2

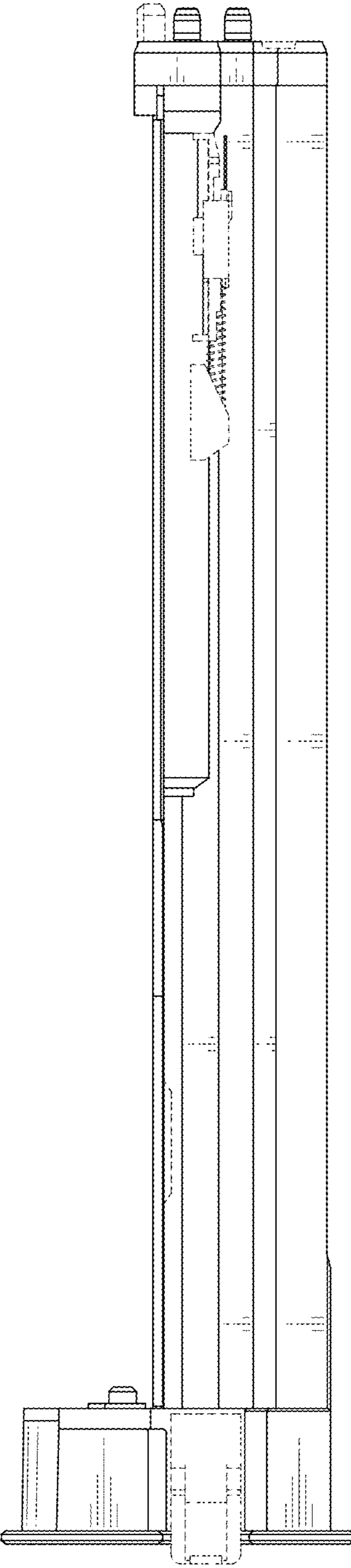


FIG.3

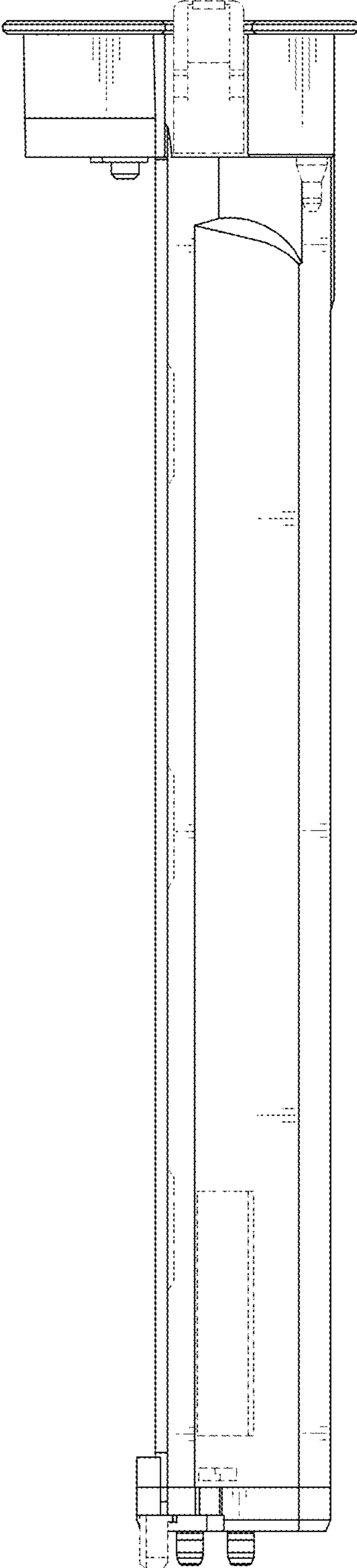


FIG.4

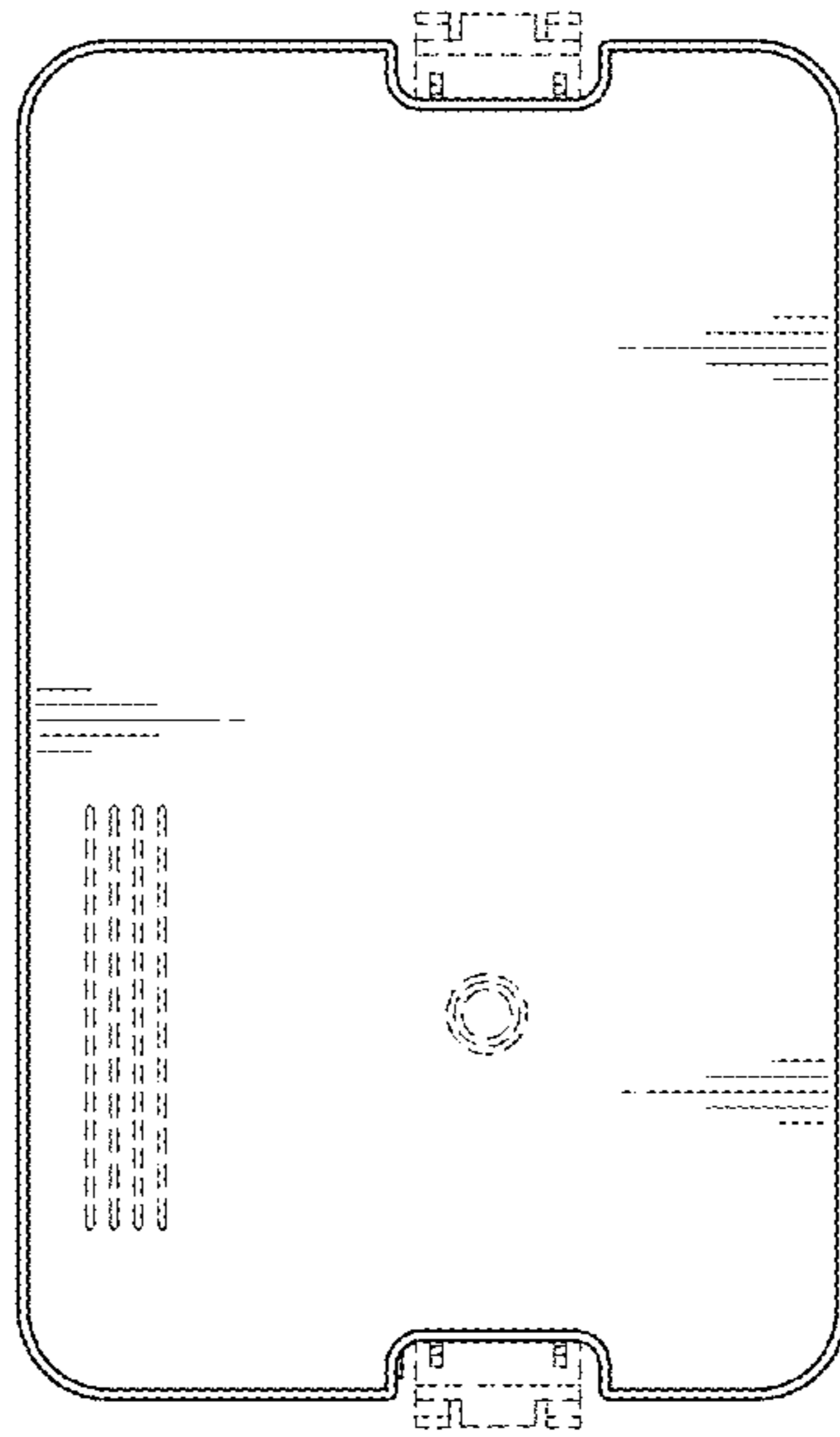


FIG.5

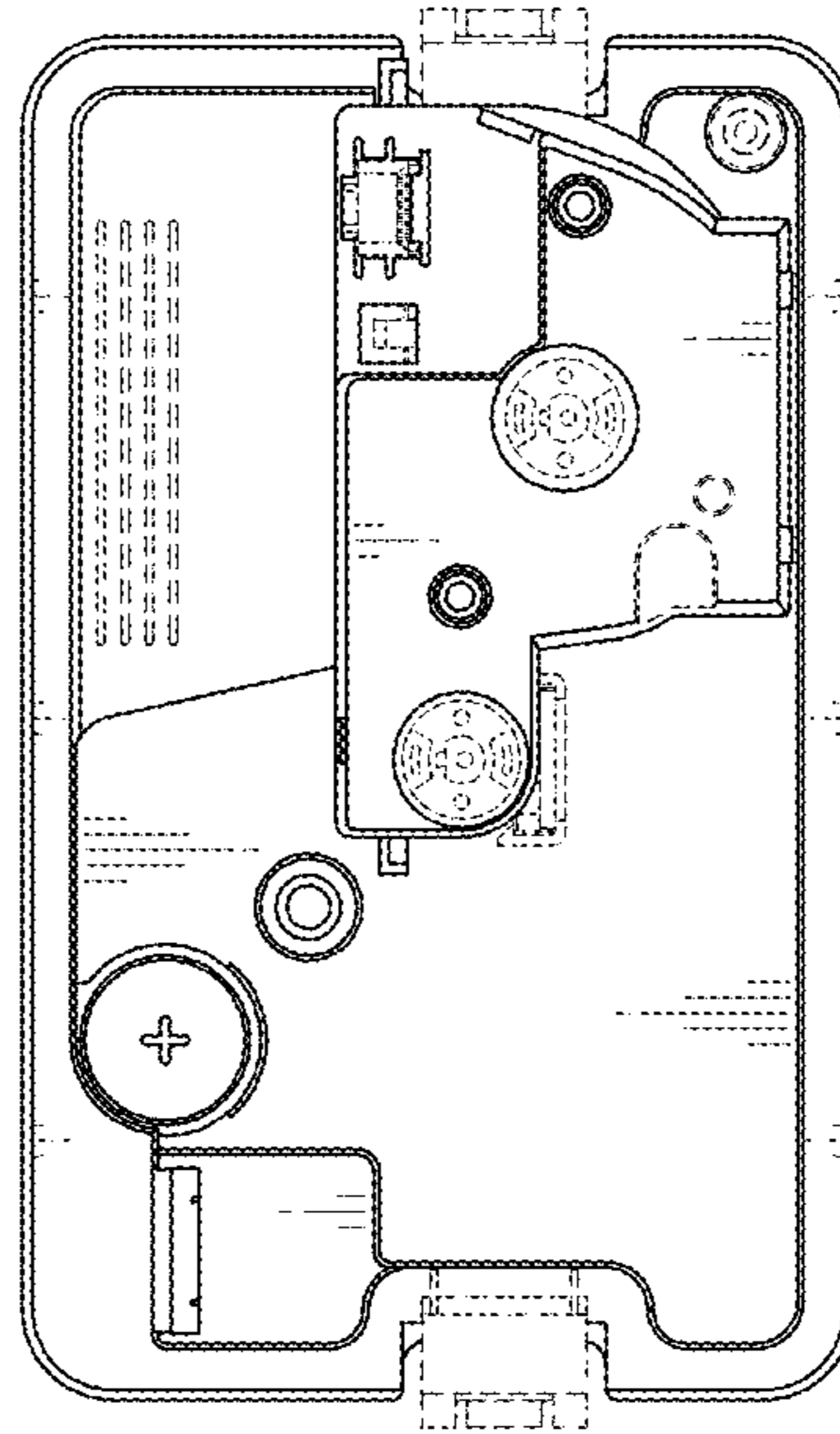


FIG.6

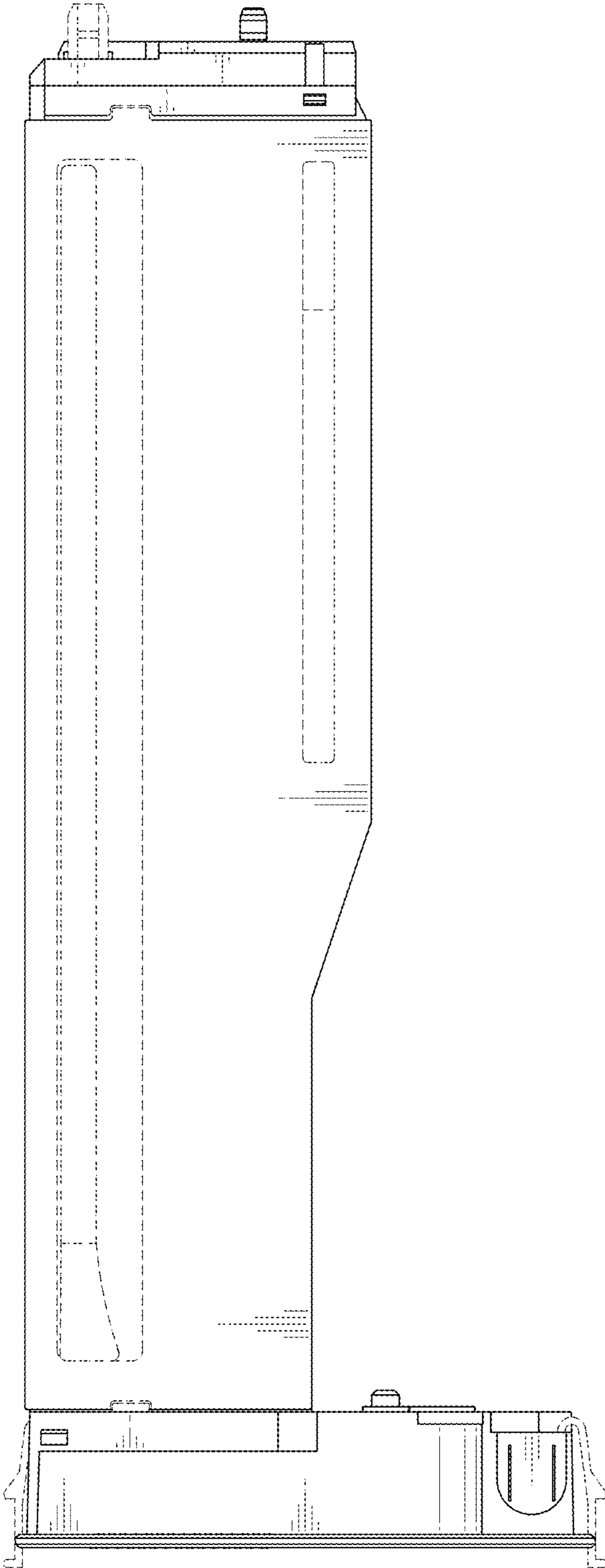


FIG. 7

