



US00D736308S

(12) **United States Design Patent**  
**Han**

(10) **Patent No.:** **US D736,308 S**

(45) **Date of Patent:** **\*\* Aug. 11, 2015**

(54) **TONER CARTRIDGE FOR COPY MACHINE**

(56)

**References Cited**

(71) Applicant: **Samsung Electronics Co., Ltd.**,  
Suwon-si, Gyeonggi-do (KR)

(72) Inventor: **Minsu Han**, Suwon-si (KR)

(73) Assignee: **SAMSUNG ELECTRONICS CO., LTD.** (KR)

(\*\*) Term: **14 Years**

(21) Appl. No.: **29/480,408**

(22) Filed: **Jan. 25, 2014**

(30) **Foreign Application Priority Data**

Jul. 25, 2013 (KR) ..... 30-2013-0038445

(51) **LOC (10) Cl.** ..... **16-03**

(52) **U.S. Cl.**  
USPC ..... **D18/43**

(58) **Field of Classification Search**  
USPC ..... D18/18, 40, 43, 56, 99; D14/309, 332,  
D14/471  
CPC ..... G03G 15/0832; G03G 15/0834; G03G  
15/0836; G03G 15/0837; G03G 15/0868;  
G03G 15/0872; G03G 15/0877; G03G  
15/0898; G03G 15/50; G03G 15/5016;  
G03G 15/60; G03G 15/65; G03G 2115/0663;  
G03G 2115/00

See application file for complete search history.

U.S. PATENT DOCUMENTS

D531,660	S	*	11/2006	Ishii et al.	.....	D18/43
D531,661	S	*	11/2006	Ishii et al.	.....	D18/43
D588,190	S	*	3/2009	Kamimura et al.	.....	D18/43
D596,663	S	*	7/2009	Kamimura et al.	.....	D18/43
D637,225	S	*	5/2011	Kishi et al.	.....	D18/43
D638,052	S	*	5/2011	Sato et al.	.....	D18/43
D638,057	S	*	5/2011	Kanno et al.	.....	D18/43
D639,846	S	*	6/2011	Kanno et al.	.....	D18/43
D693,399	S	*	11/2013	Sim et al.	.....	D18/43
D694,816	S	*	12/2013	Fukamachi et al.	.....	D18/43
2013/0170844	A1	*	7/2013	Itabashi	.....	399/12

\* cited by examiner

*Primary Examiner* — Eric Goodman

*Assistant Examiner* — Amy Wierenga

(74) *Attorney, Agent, or Firm* — Cantor Colburn LLP

(57) **CLAIM**

I claim the ornamental design for a toner cartridge for copy machine, as shown and described.

**DESCRIPTION**

FIG. 1 is a front perspective view of a toner cartridge for copy machine showing my new design;  
FIG. 2 is a front elevation view of thereof;  
FIG. 3 is a rear elevation view of thereof;  
FIG. 4 is a left side elevation view of thereof;  
FIG. 5 is a right side elevation view of thereof;  
FIG. 6 is a top plan view of thereof; and,  
FIG. 7 is a bottom plan view of thereof.

The broken lines illustrating portions of the toner cartridge for copy machine are for environmental purpose only and form no part of the claimed design. The shade lines in the figures show contour and not surface ornamentation.

**1 Claim, 7 Drawing Sheets**

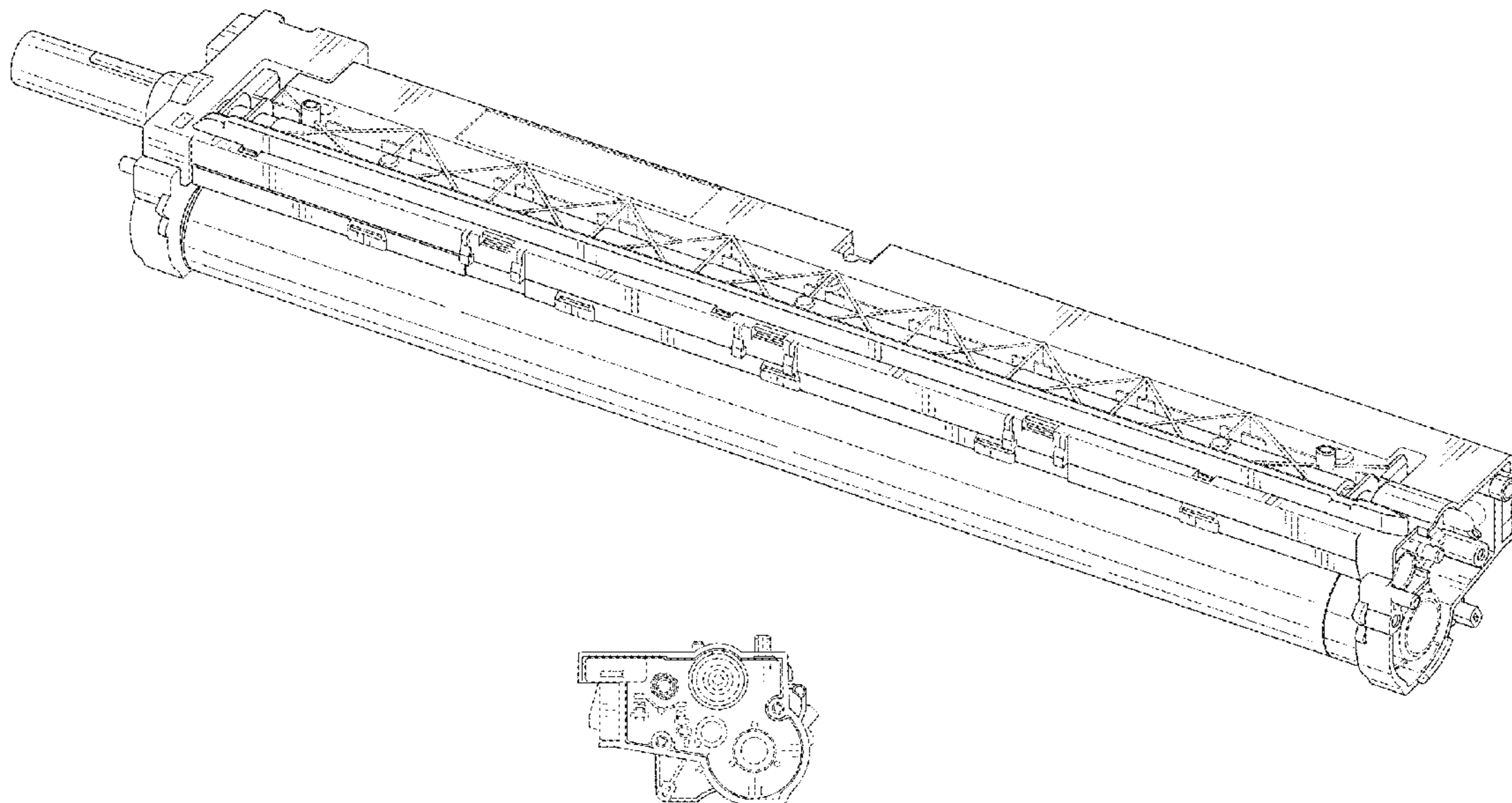


FIG.1

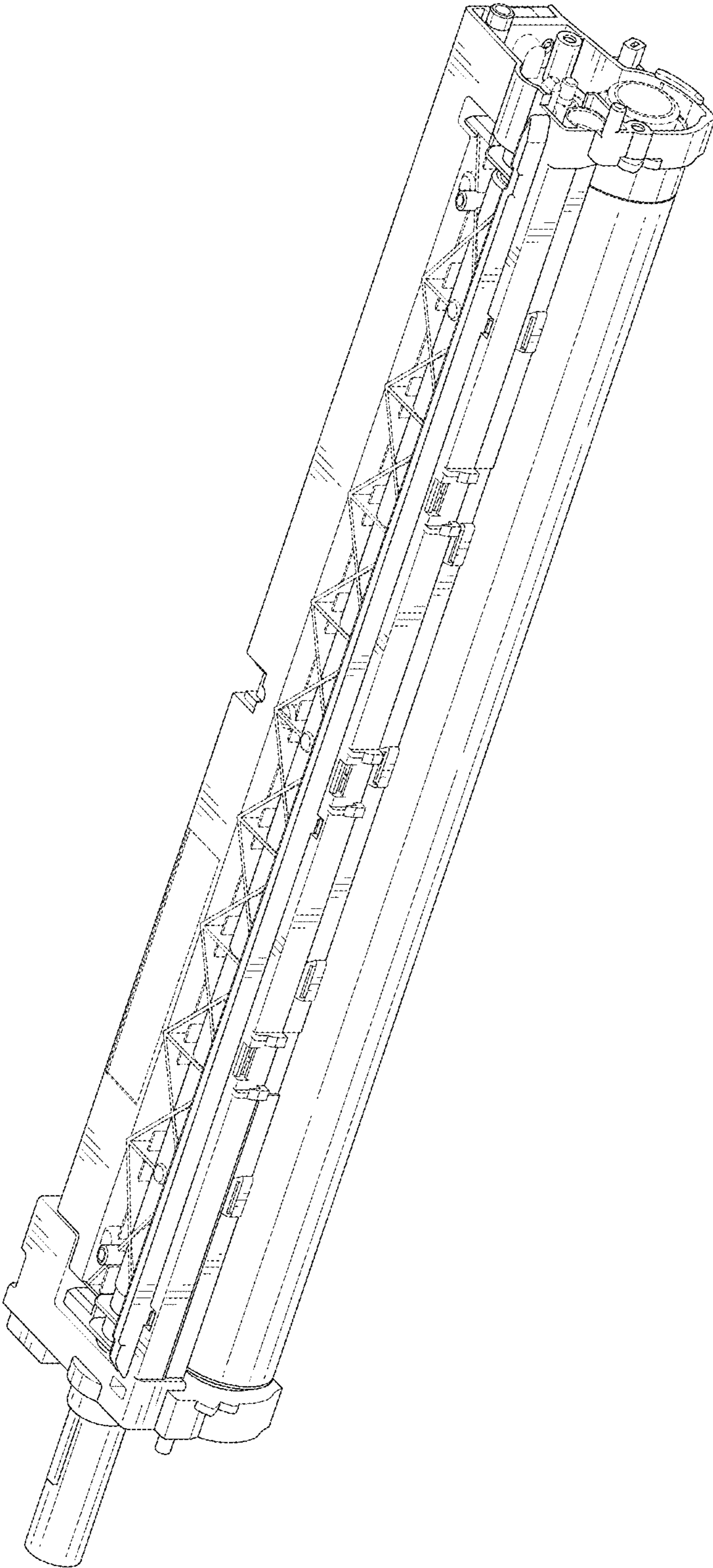


FIG.2

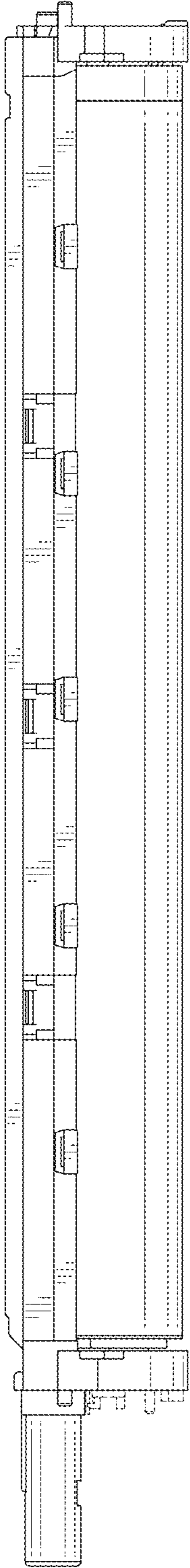


FIG.3

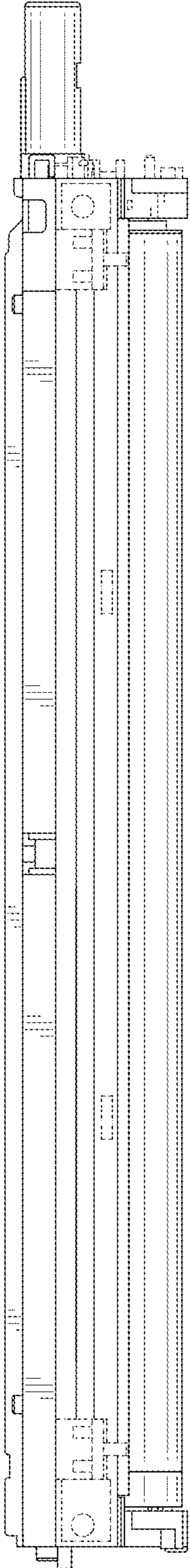


FIG.4

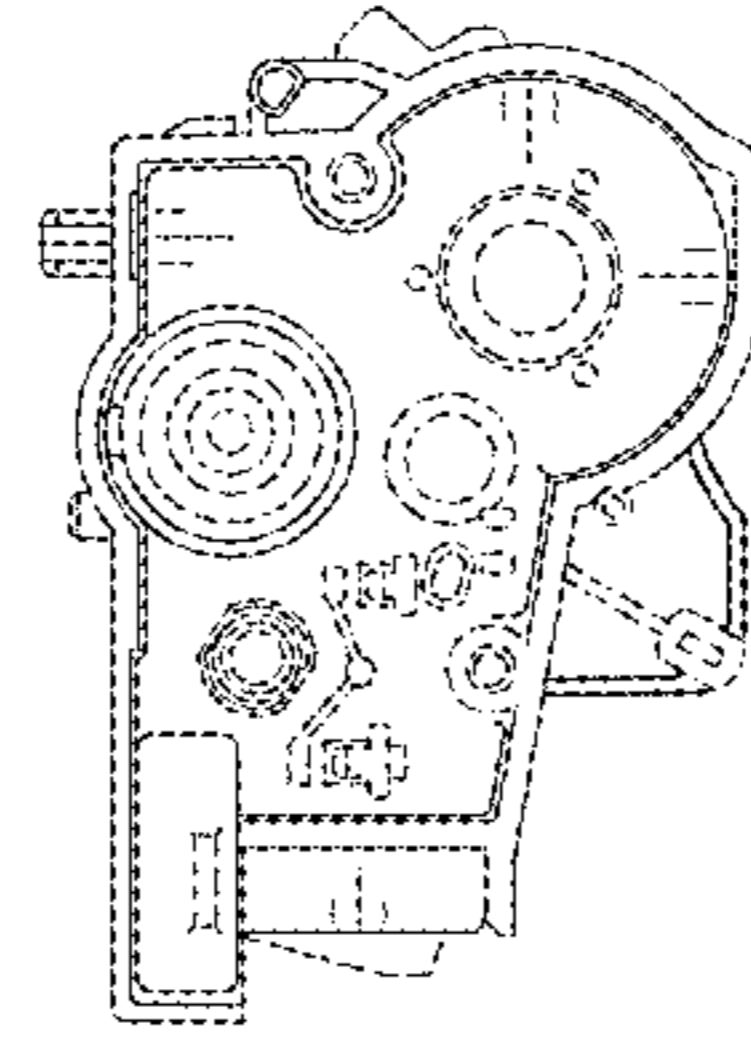




FIG.5

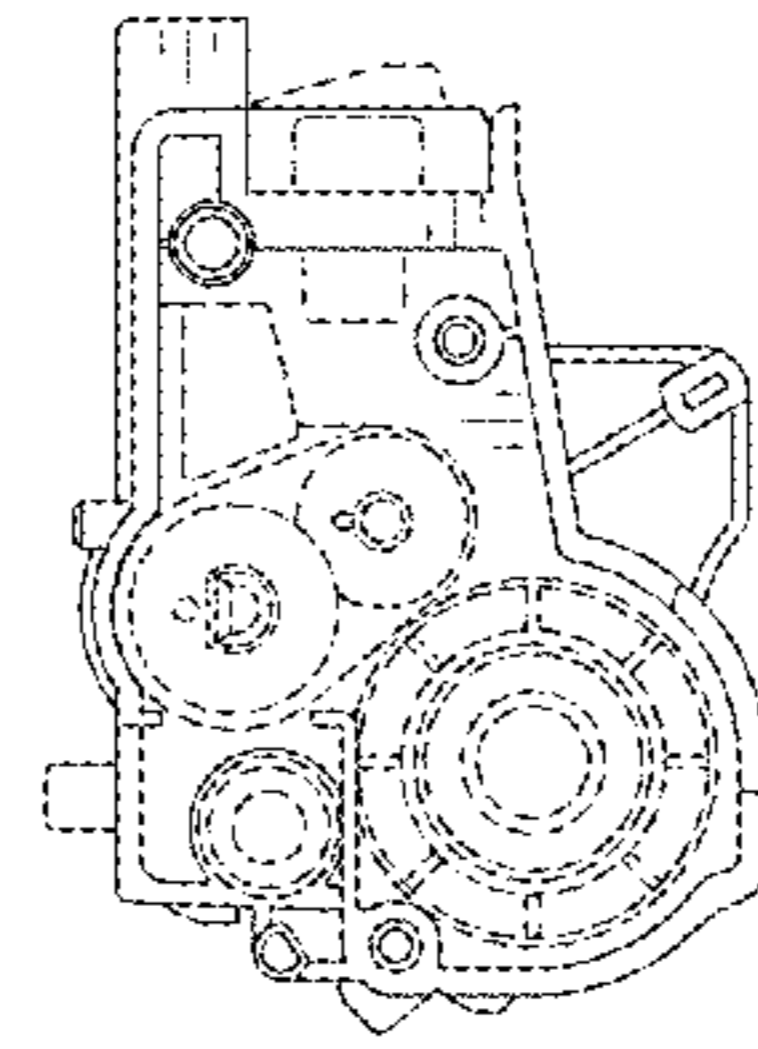


FIG.6

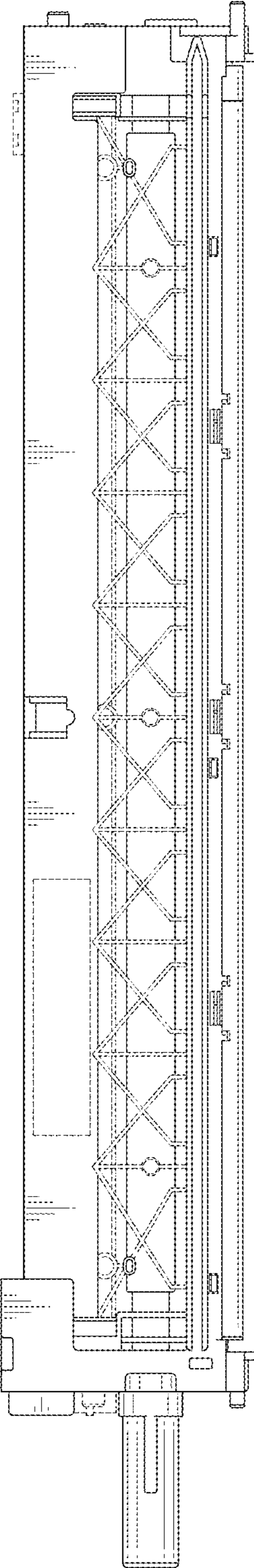


FIG. 7

