



US00D736306S

(12) **United States Design Patent**
Iida

(10) **Patent No.:** **US D736,306 S**

(45) **Date of Patent:** **** Aug. 11, 2015**

(54) **ELECTRONIC MUSIC BOX**

(71) Applicant: **Shino Iida**, Ichinomiya (JP)

(72) Inventor: **Shino Iida**, Ichinomiya (JP)

(73) Assignee: **BROTHER INDUSTRIES, LTD.**,
Nagoya (JP)

(**) Term: **14 Years**

(21) Appl. No.: **29/458,643**

(22) Filed: **Jun. 21, 2013**

(30) **Foreign Application Priority Data**

Dec. 21, 2012 (JP) 2012-31297

(51) **LOC (10) Cl.** **17-05**

(52) **U.S. Cl.**
USPC **D17/24**

(58) **Field of Classification Search**
USPC D17/24, 99; 84/600, 603, 645;
D14/496, 507, 133, 203.1, 224.1, 178,
D14/388, 308
CPC G01H 1/32
See application file for complete search history.

(56) **References Cited**

U.S. PATENT DOCUMENTS

- D171,437 S * 2/1954 Breen D17/24
- D194,604 S * 2/1963 Caldwell, Jr. D14/496
- D206,596 S * 1/1967 Ryan D17/24
- 4,193,648 A * 3/1980 Gargiulo 84/94.2
- D287,724 S * 1/1987 Keely et al. D14/311
- D290,961 S * 7/1987 Mendel D14/388
- D305,116 S * 12/1989 Schmidt D14/385
- D311,389 S * 10/1990 Festa et al. D14/301
- D357,684 S * 4/1995 Moreland D14/240
- 5,461,187 A * 10/1995 Dudley 84/94.2
- D364,168 S * 11/1995 Ying D14/221
- 6,078,503 A * 6/2000 Gallagher et al. 361/725

- D510,094 S * 9/2005 Bolton et al. D14/496
- D517,844 S * 3/2006 Gladney D6/606
- D519,476 S * 4/2006 Peng D14/129

(Continued)

FOREIGN PATENT DOCUMENTS

- DE 402010001807-0002 * 8/2010
- EM 000489018-0001 * 4/2006

(Continued)

OTHER PUBLICATIONS

Aluminum project box enclosure case, Product Details from Shenzhen Futian Huaqiang Elec, website copyright 2014, online, site visited Apr. 8, 2015, http://szomk.en.alibaba.com/product/913318404-218822200/aluminium_project_box_enclosure_case.html.*

(Continued)

Primary Examiner — John Windmuller

Assistant Examiner — John R Yeh

(74) *Attorney, Agent, or Firm* — Oliff PLC

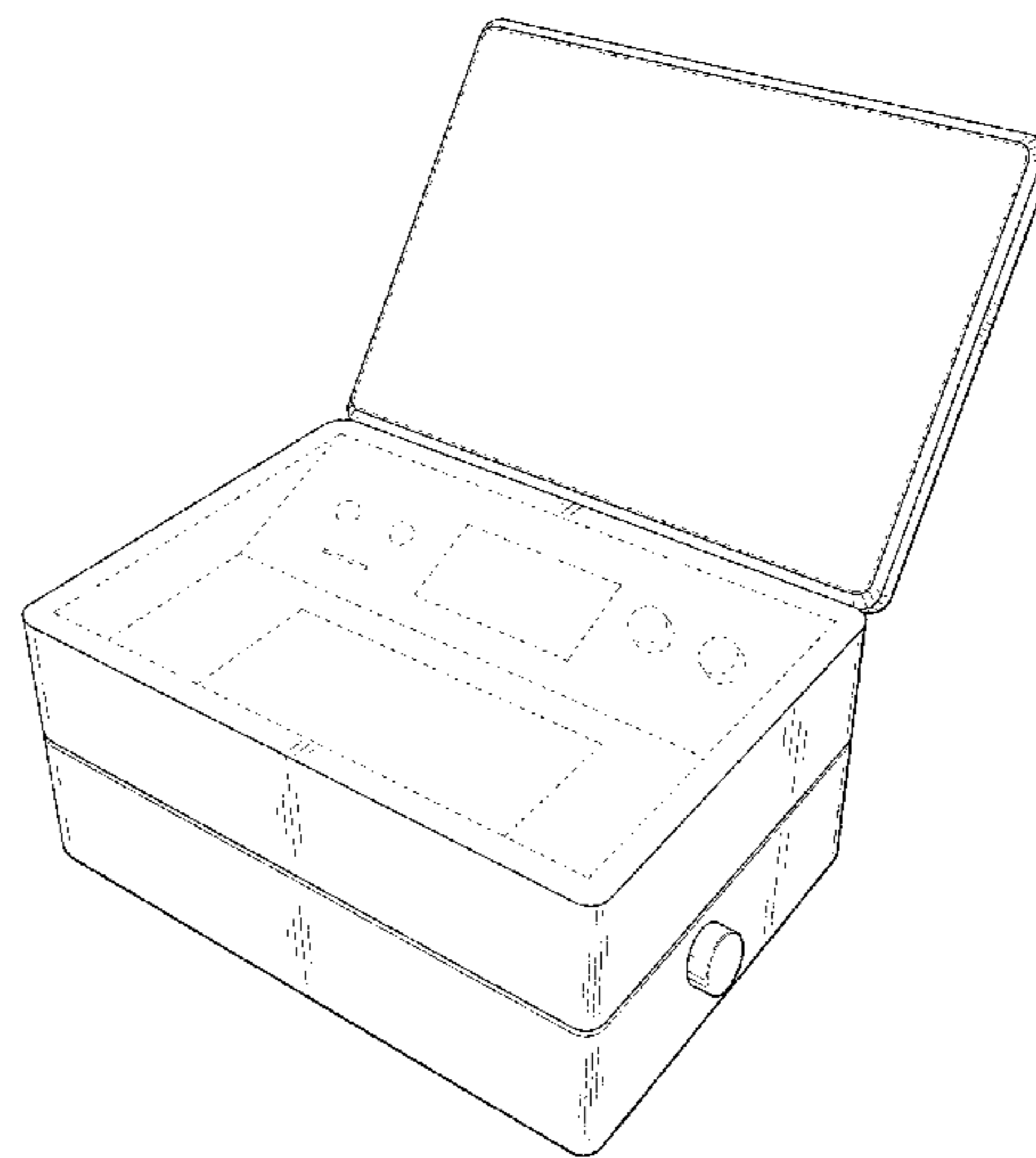
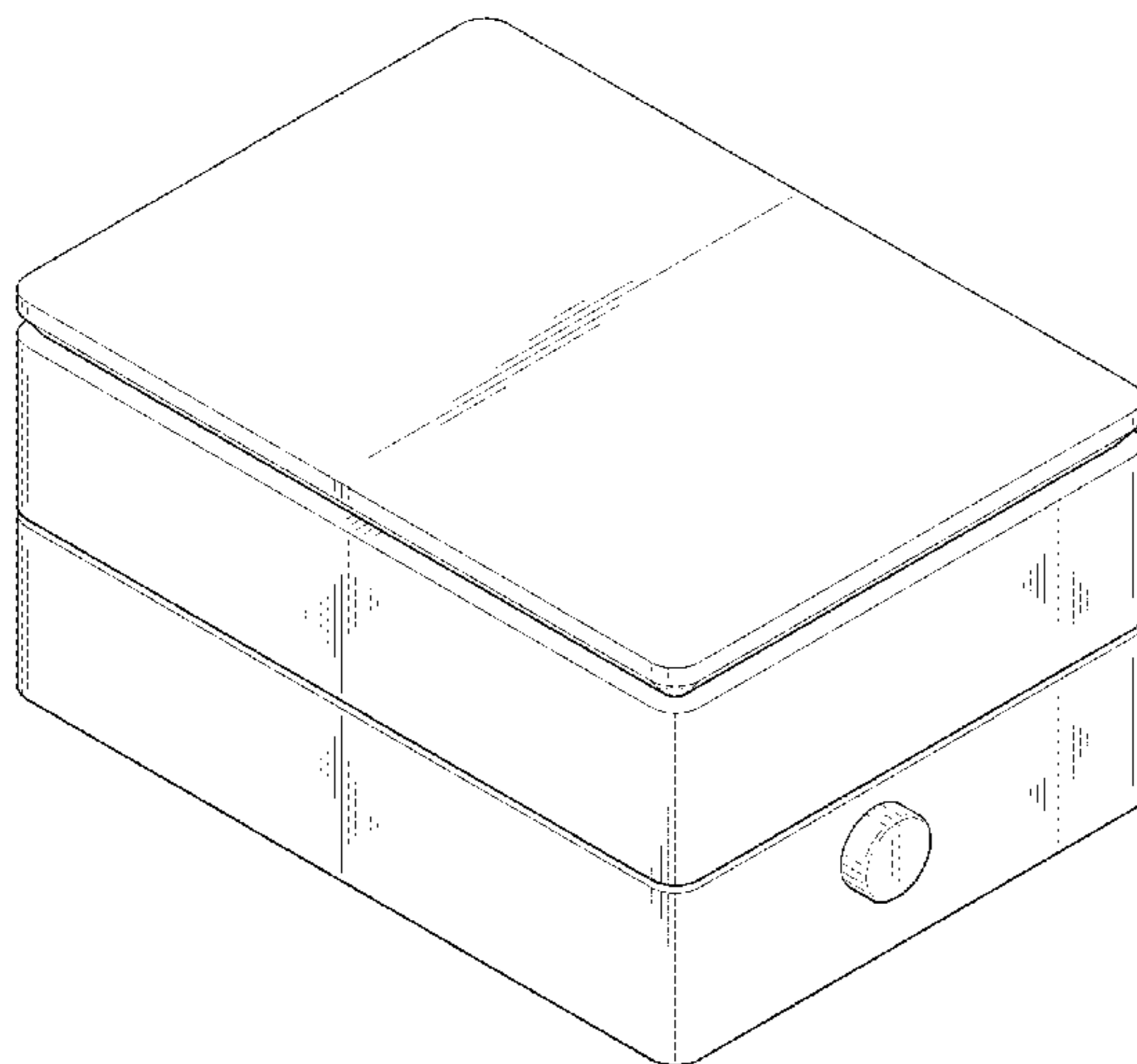
(57) **CLAIM**

The ornamental design for an electronic music box, as shown and described.

DESCRIPTION

FIG. 1 is a perspective view of an electronic music box; FIG. 2 is a front view thereof; FIG. 3 is a top view thereof; FIG. 4 is a right-side view thereof; FIG. 5 is a left-side view thereof; FIG. 6 is a rear view thereof; FIG. 7 is a bottom view thereof; and, FIG. 8 is a perspective view with a cover of the electronic music box in an open position thereof. The broken lines depict portions of the electronic music box which form no part of the claimed design.

1 Claim, 8 Drawing Sheets



(56)

References Cited

OTHER PUBLICATIONS

U.S. PATENT DOCUMENTS

D563,994 S * 3/2008 Liu et al. D14/496
D568,271 S * 5/2008 Lee D14/132
D601,527 S * 10/2009 Lee D14/132
D601,583 S * 10/2009 Andre et al. D14/496
D622,996 S * 9/2010 Morrison et al. D6/596
D659,459 S * 5/2012 Jung et al. D6/605
D663,152 S * 7/2012 Shive D6/605
D670,948 S * 11/2012 Price D6/605
D686,206 S * 7/2013 Wu et al. D14/358
D719,378 S * 12/2014 Keever D6/606
2014/0311936 A1 * 10/2014 Marks 206/457

FOREIGN PATENT DOCUMENTS

FR 802039-007 * 10/1980
FR 050195-001 * 7/2005
JP D1336391 * 7/2008

Bank Slot Music, google publish date, Feb. 1, 2001, online, http://ns5.virtserver.com/Music/Bank_Slot_Music/bank_slot_music.html, [site visited Apr. 8, 2015 1:30:13 PM].*
Box1,2,4 Controller Cabinetry, flyer date Feb. 2014, online, http://ns5.virtserver.com/Music/Bank_Slot_Music/bank_slot_music.html, [site visited Apr. 8, 2015 1:30:13 PM].*
SoundMate M2 Wifi Music streaming receiver, youtube pub date Sep. 6, 2015, online, site visited Apr. 8, 2015, <https://www.youtube.com/watch?v=v7sdjW07ySU>.*

* cited by examiner

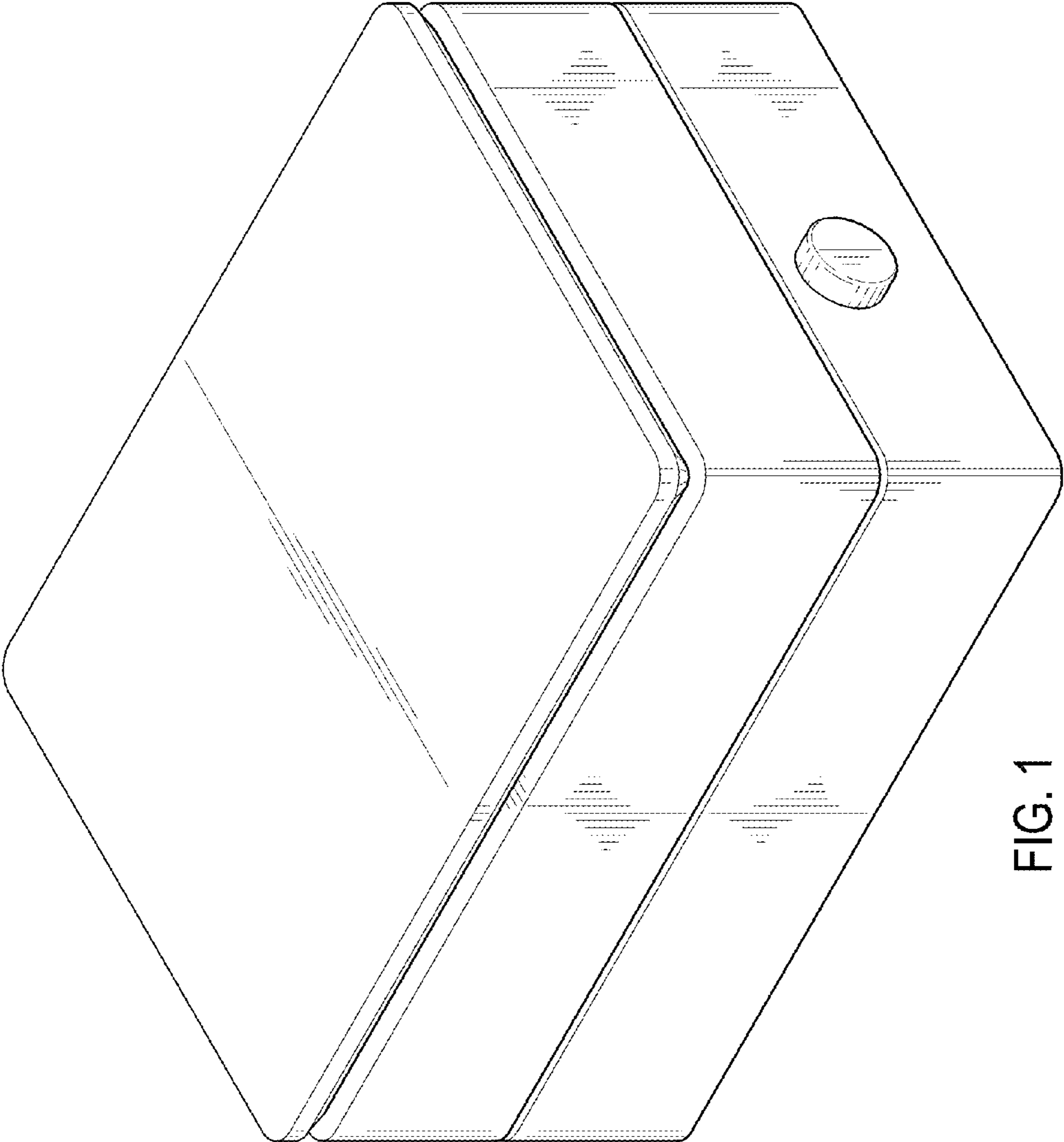


FIG. 1

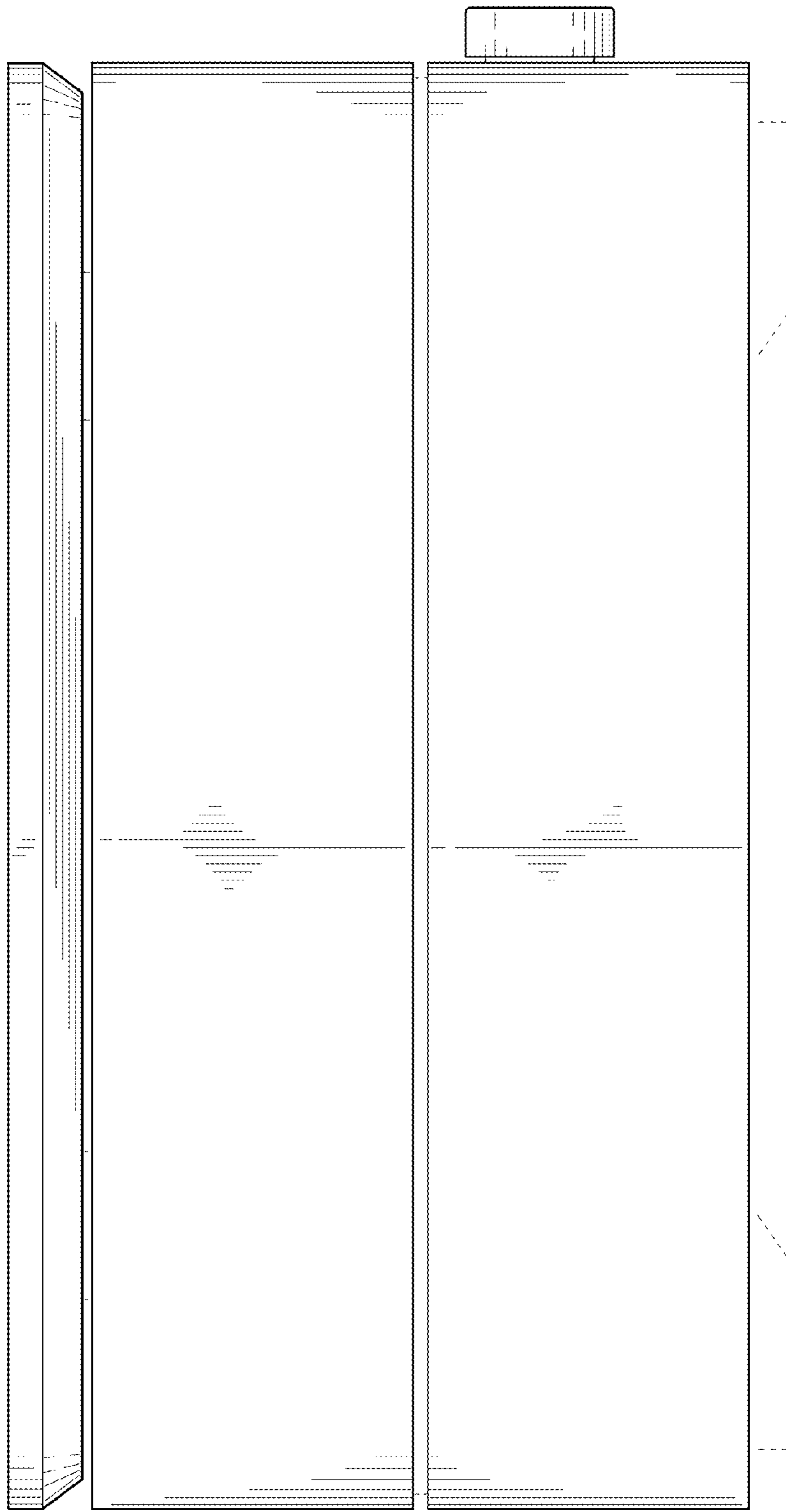


FIG. 2



FIG. 3

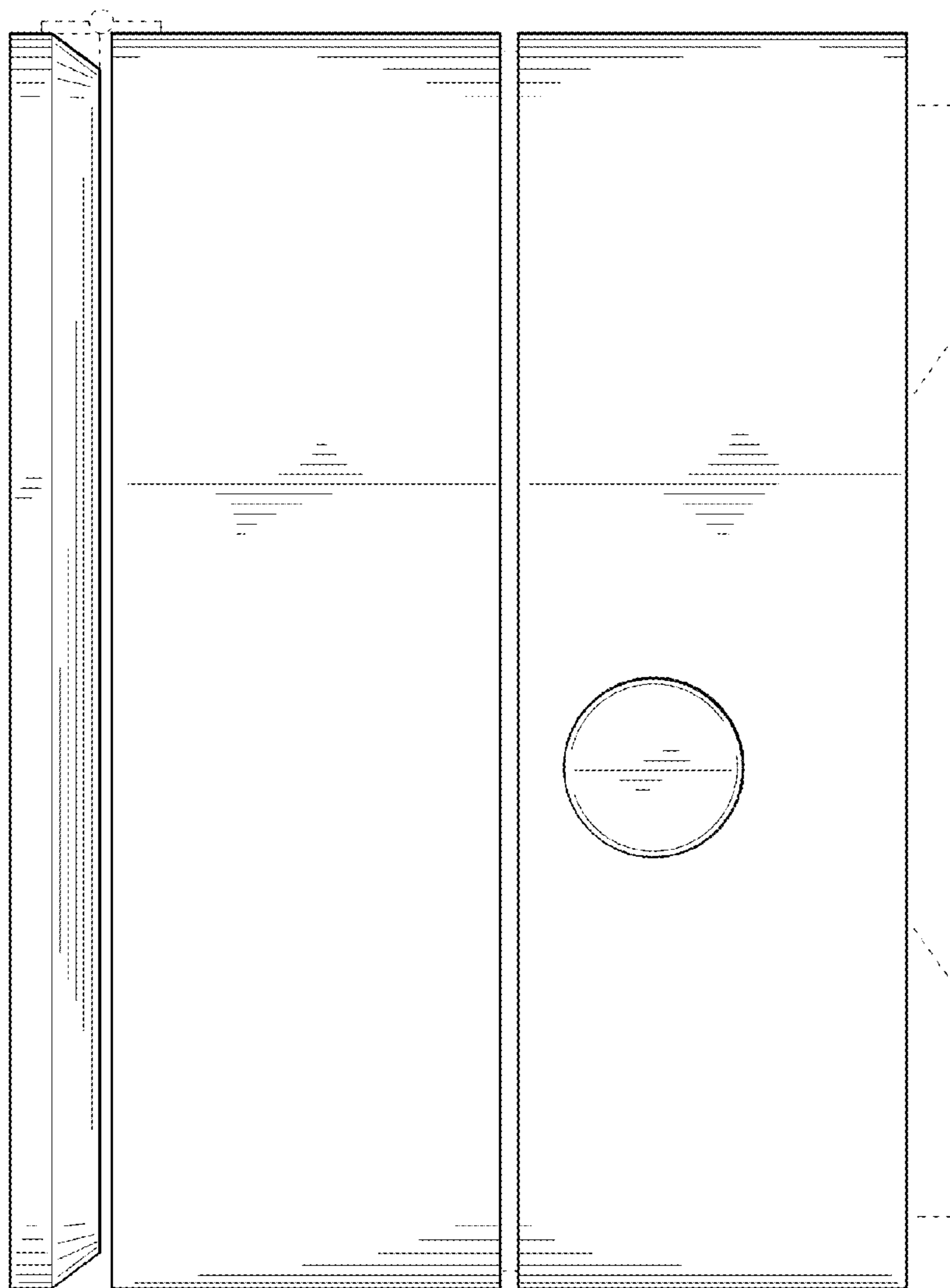


FIG. 4

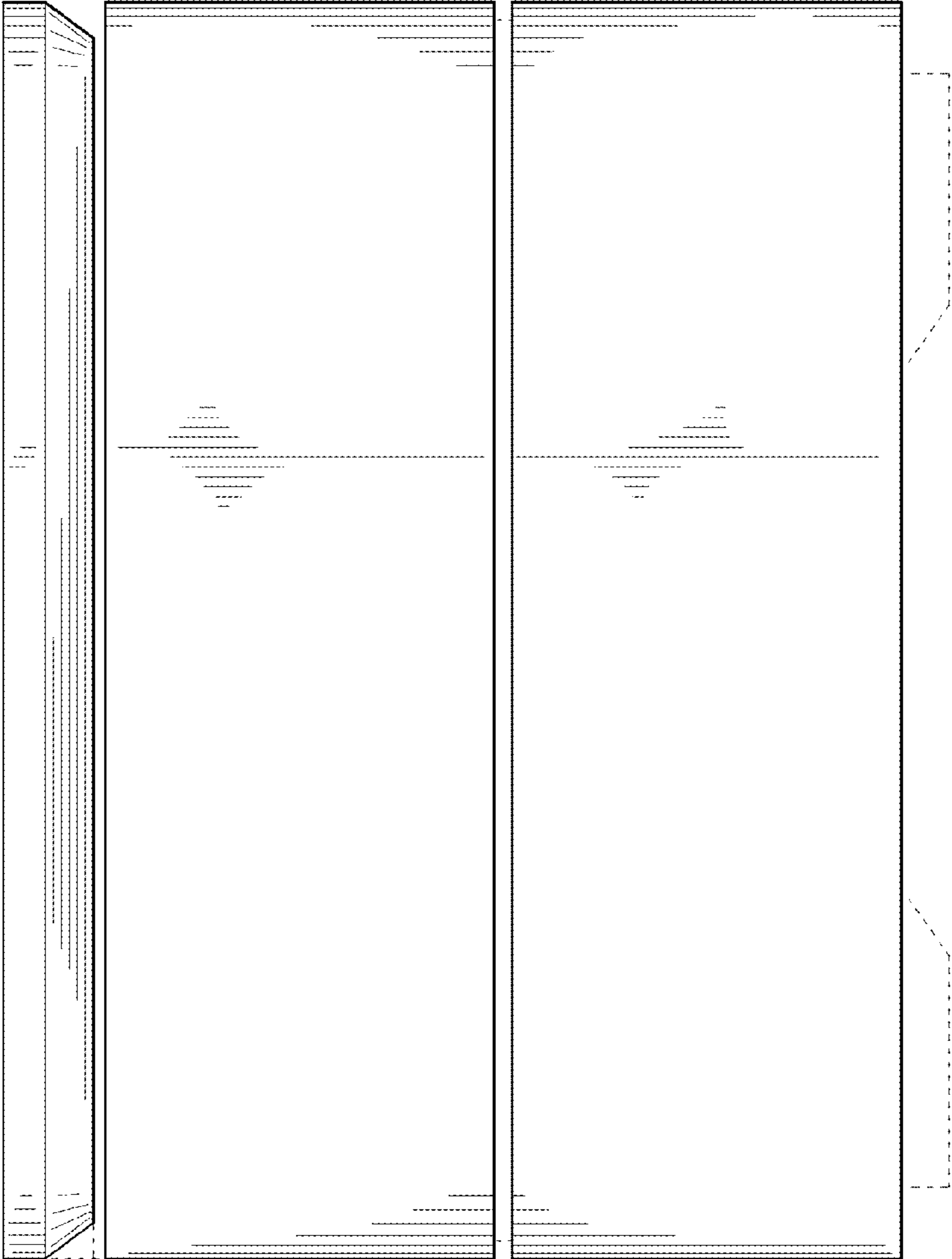


FIG. 5

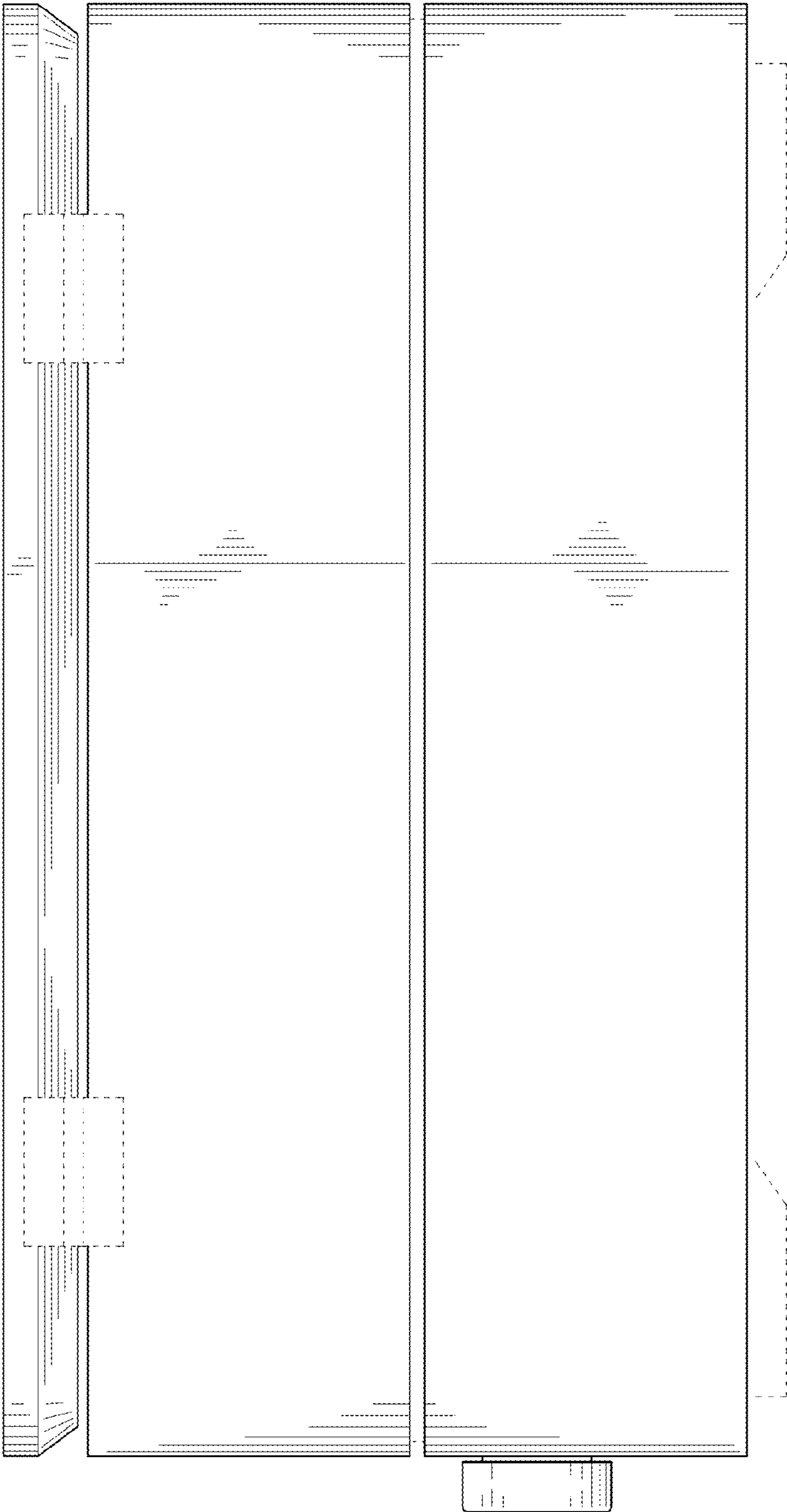


FIG. 6

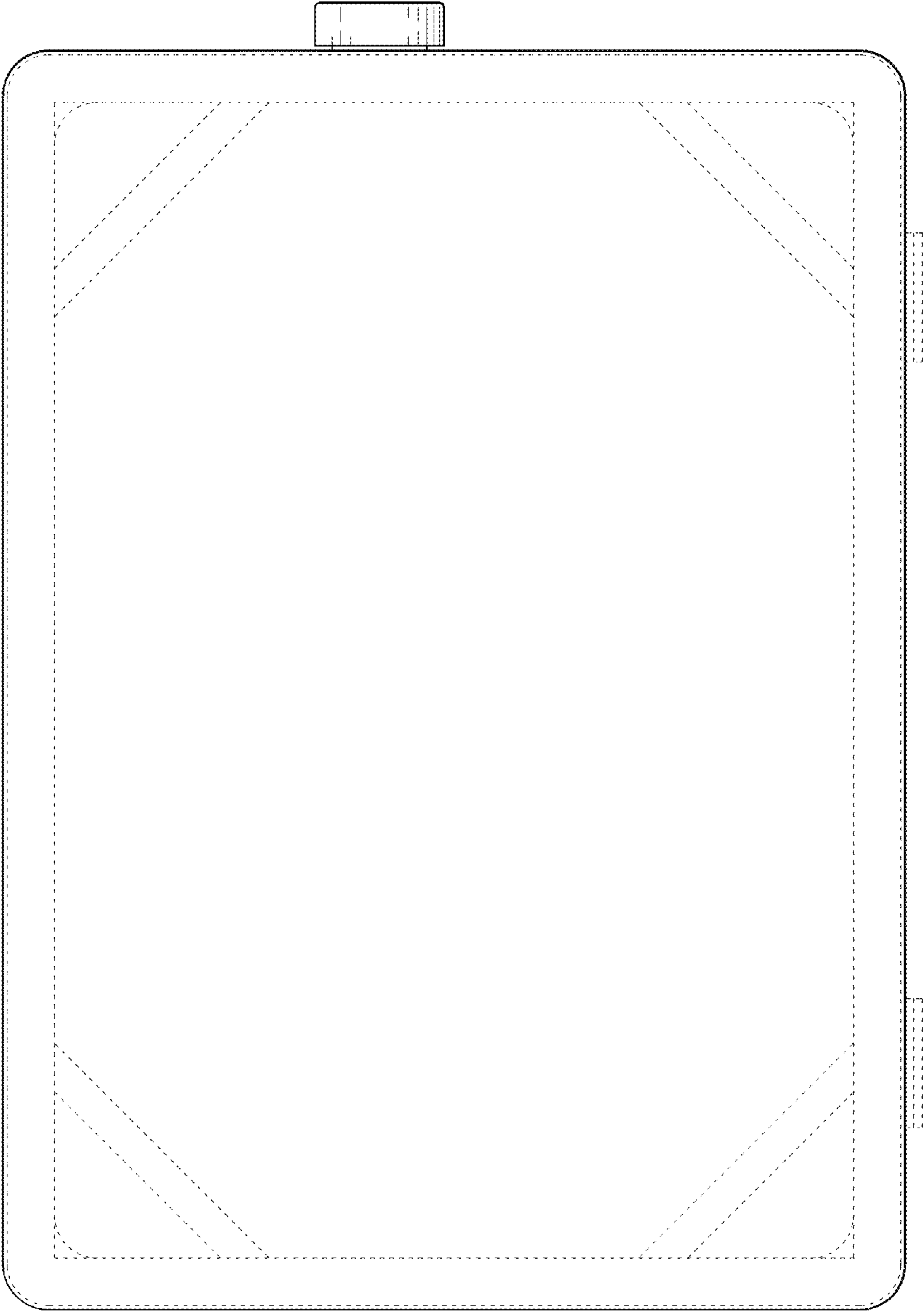


FIG. 7

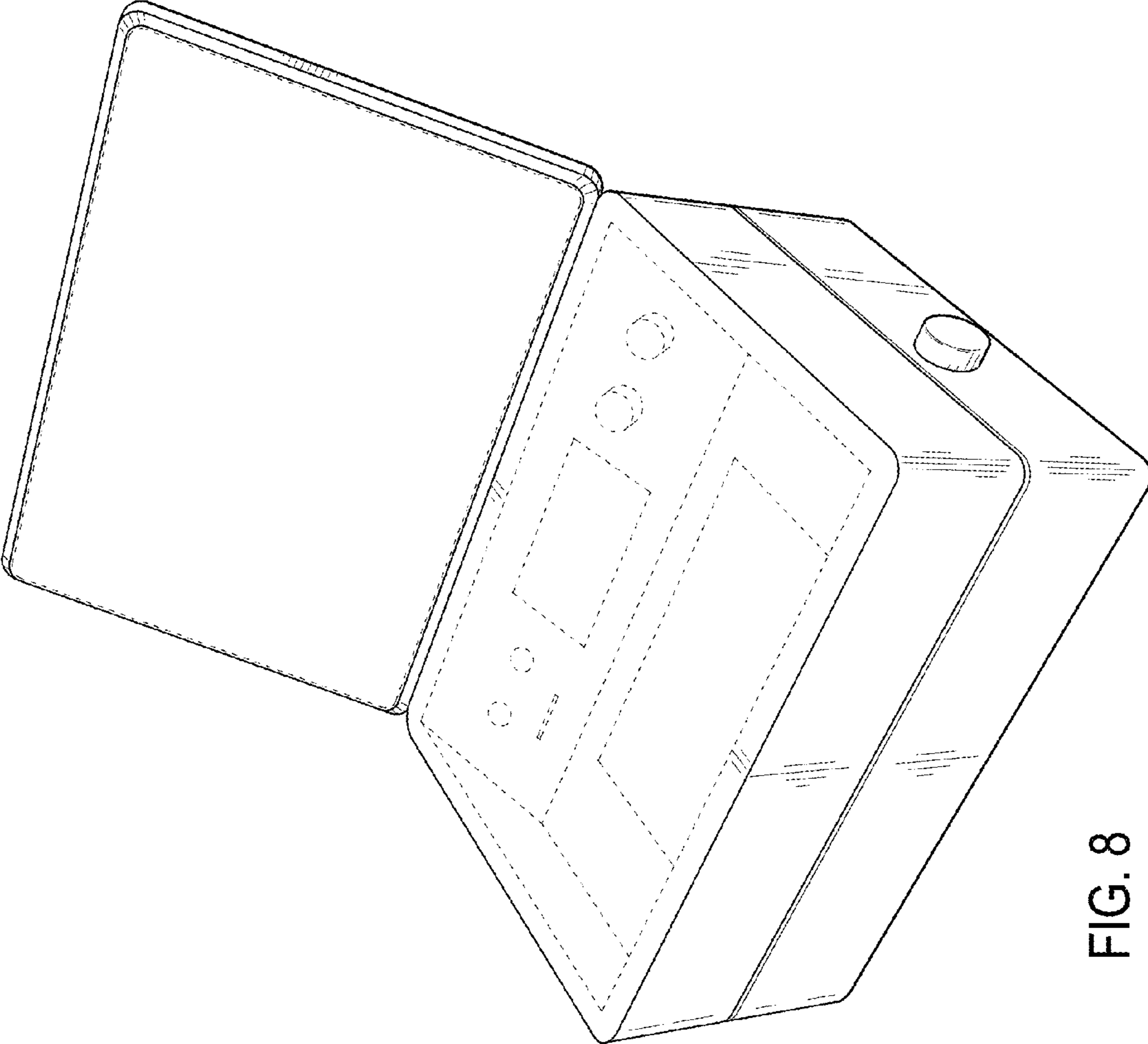


FIG. 8