

US00D736303S

(12) **United States Design Patent**  
**Yu**

(10) **Patent No.:** **US D736,303 S**  
(45) **Date of Patent:** **\*\* Aug. 11, 2015**

(54) **SKI GOGGLES WITH GLASSES CAMERA**

(56) **References Cited**

(71) Applicant: **Mengchu Yu**, Hunan (CN)

U.S. PATENT DOCUMENTS

(72) Inventor: **Mengchu Yu**, Hunan (CN)

D215,751 S *	10/1969	Castellano	.....	D26/38
D229,975 S *	1/1974	Klugmann	.....	D16/309
3,892,234 A *	7/1975	Jones	.....	128/201.27
D431,585 S *	10/2000	Vance et al.	.....	D16/312
D553,177 S *	10/2007	Chen	.....	D16/326
D610,184 S *	2/2010	Pearson et al.	.....	D16/204
D617,826 S *	6/2010	Waters	.....	D16/309
D676,078 S *	2/2013	Lynch	.....	D16/330
D678,388 S *	3/2013	Kim et al.	.....	D16/311
D690,761 S *	10/2013	He et al.	.....	D16/309
D700,928 S *	3/2014	Lavoie	.....	D16/309
D704,249 S *	5/2014	Orzeck	.....	D16/312
2008/0192114 A1 *	8/2008	Pearson et al.	.....	348/81

(\*\*) Term: **14 Years**

(21) Appl. No.: **29/473,304**

(22) Filed: **Nov. 21, 2013**

(30) **Foreign Application Priority Data**

Aug. 2, 2013 (CN) ..... 2013 3 0368534

\* cited by examiner

(51) **LOC (10) Cl.** ..... **16-06**

*Primary Examiner* — Raphael Barkai

(52) **U.S. Cl.**  
USPC ..... **D16/309**

(57) **CLAIM**

The ornamental design for a ski goggles with glasses camera, as shown and described.

(58) **Field of Classification Search**

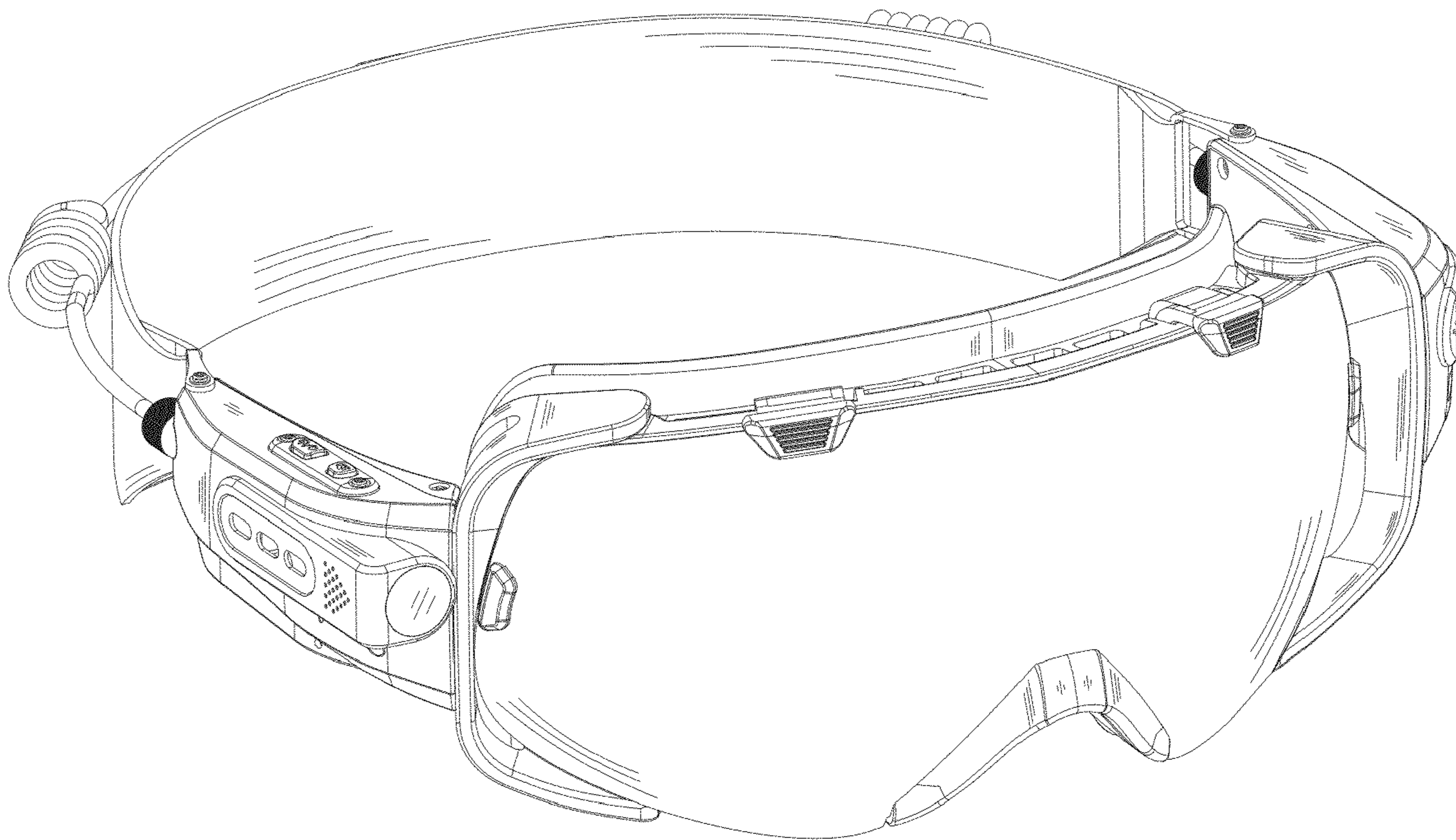
**DESCRIPTION**

USPC ..... D16/101, 300–342, 900; D29/109–110;  
351/41, 44, 51–52, 62, 158, 92,  
351/103–123, 140–153, 63, 59, 45–46;  
2/426–432, 447–449, 441, 434–437,  
2/13, 15; D21/483, 659–661; D14/372  
CPC ..... G02C 2200/08; G02C 1/06; G02C 5/14;  
G01C 5/16

FIG. 1 is a front elevational view of ski goggles with glasses camera;  
FIG. 2 is a rear elevational view thereof;  
FIG. 3 is a left side view thereof;  
FIG. 4 is a right side view thereof;  
FIG. 5 is a top plan view thereof;  
FIG. 6 is a bottom plan view thereof; and,  
FIG. 7 is a perspective view thereof.

See application file for complete search history.

**1 Claim, 5 Drawing Sheets**



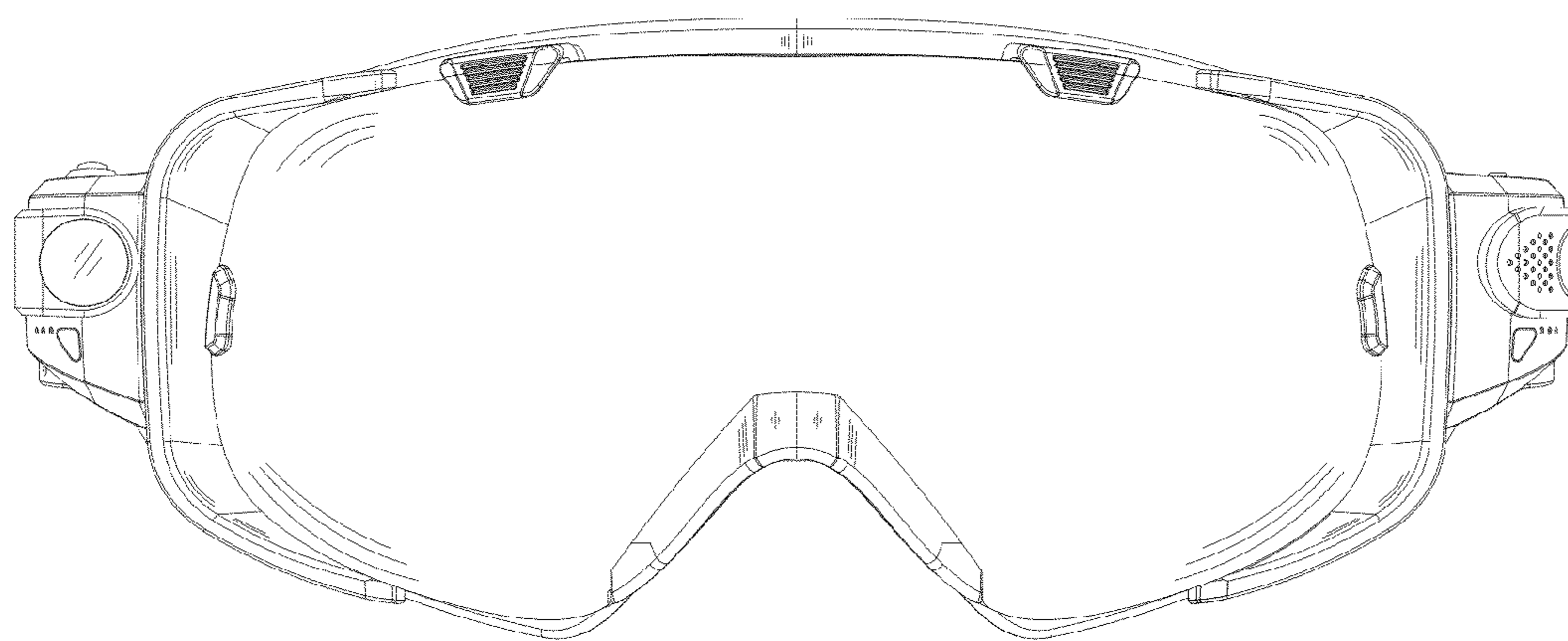


Fig. 1

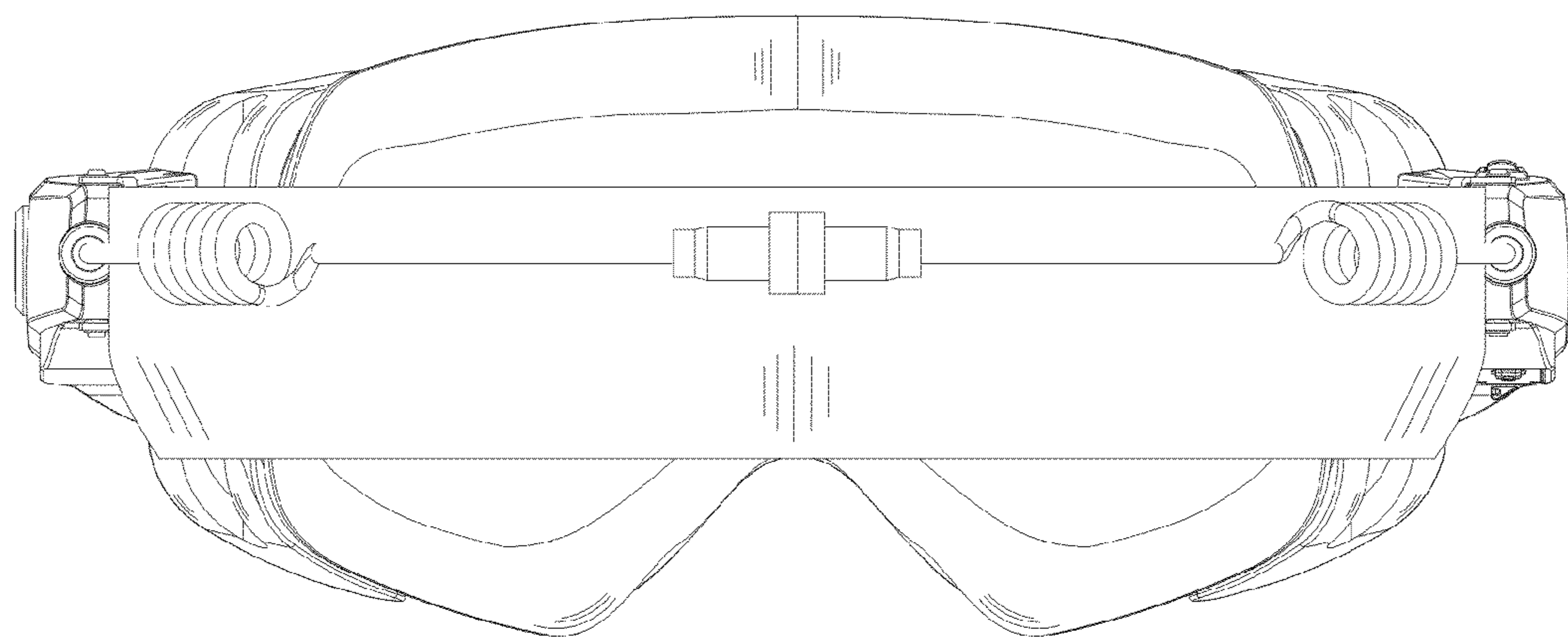


Fig. 2

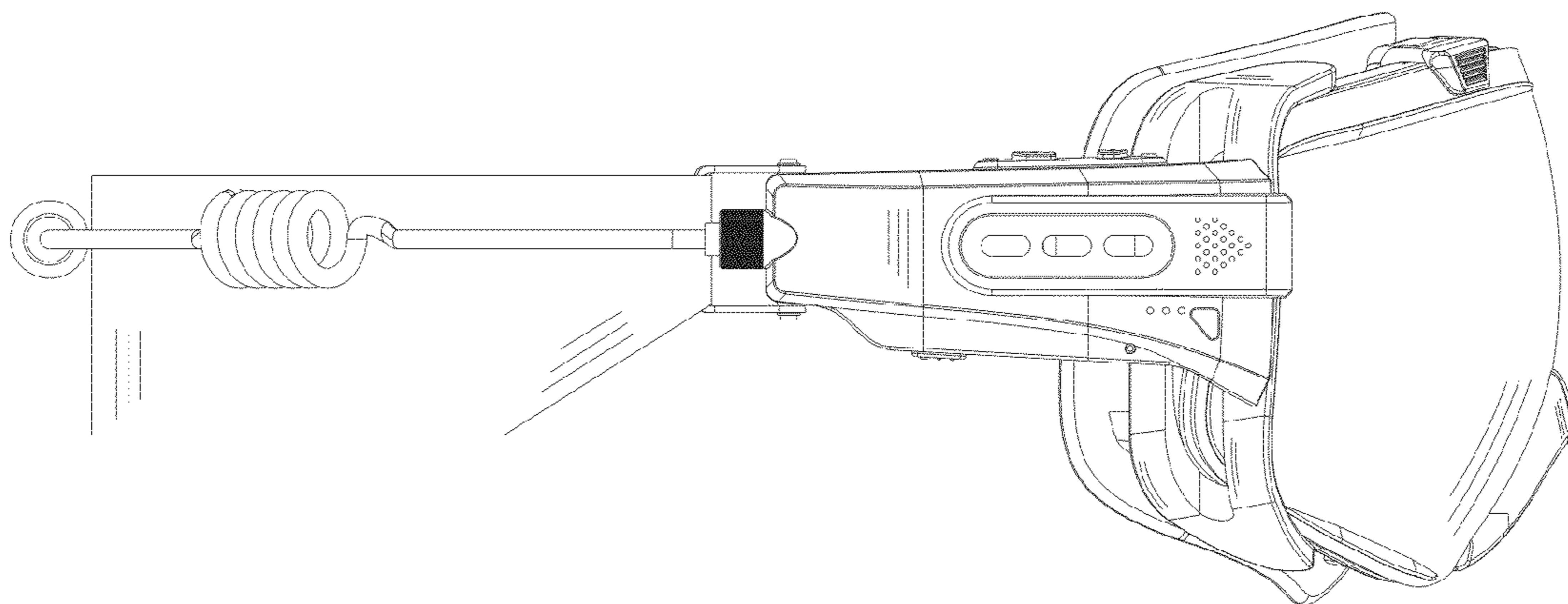


Fig. 3

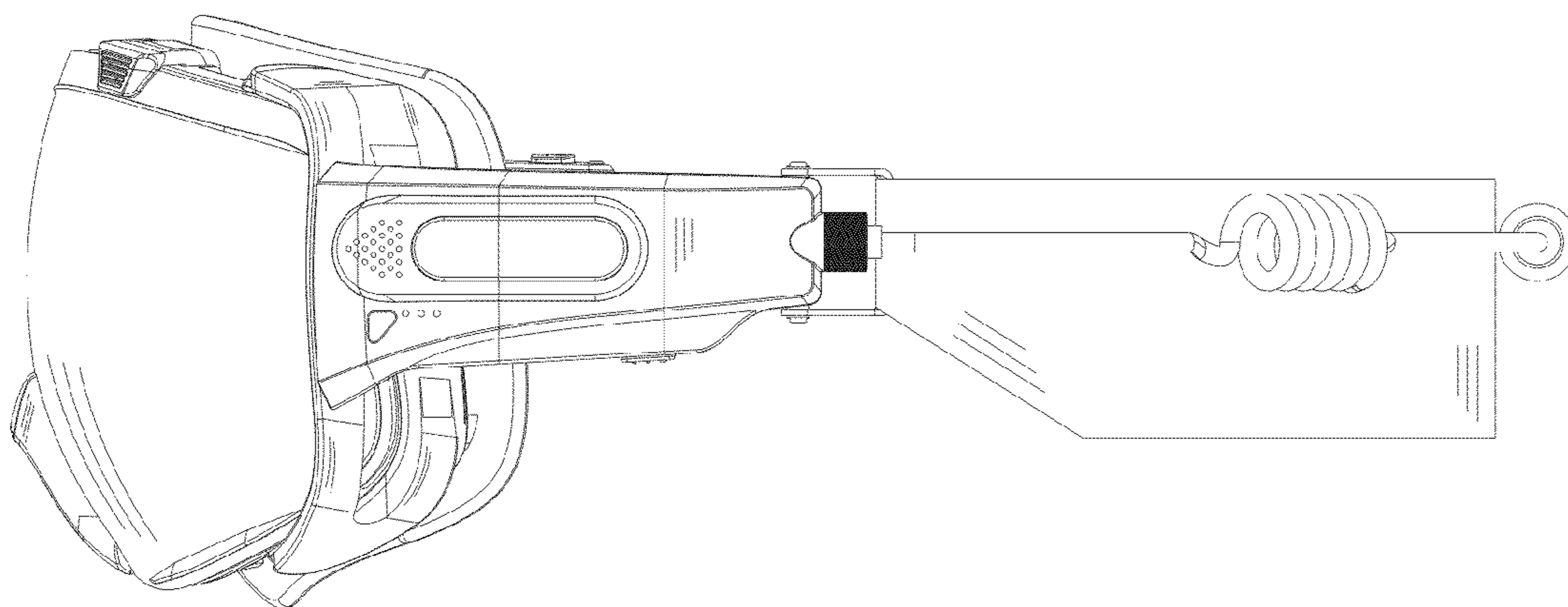


Fig. 4

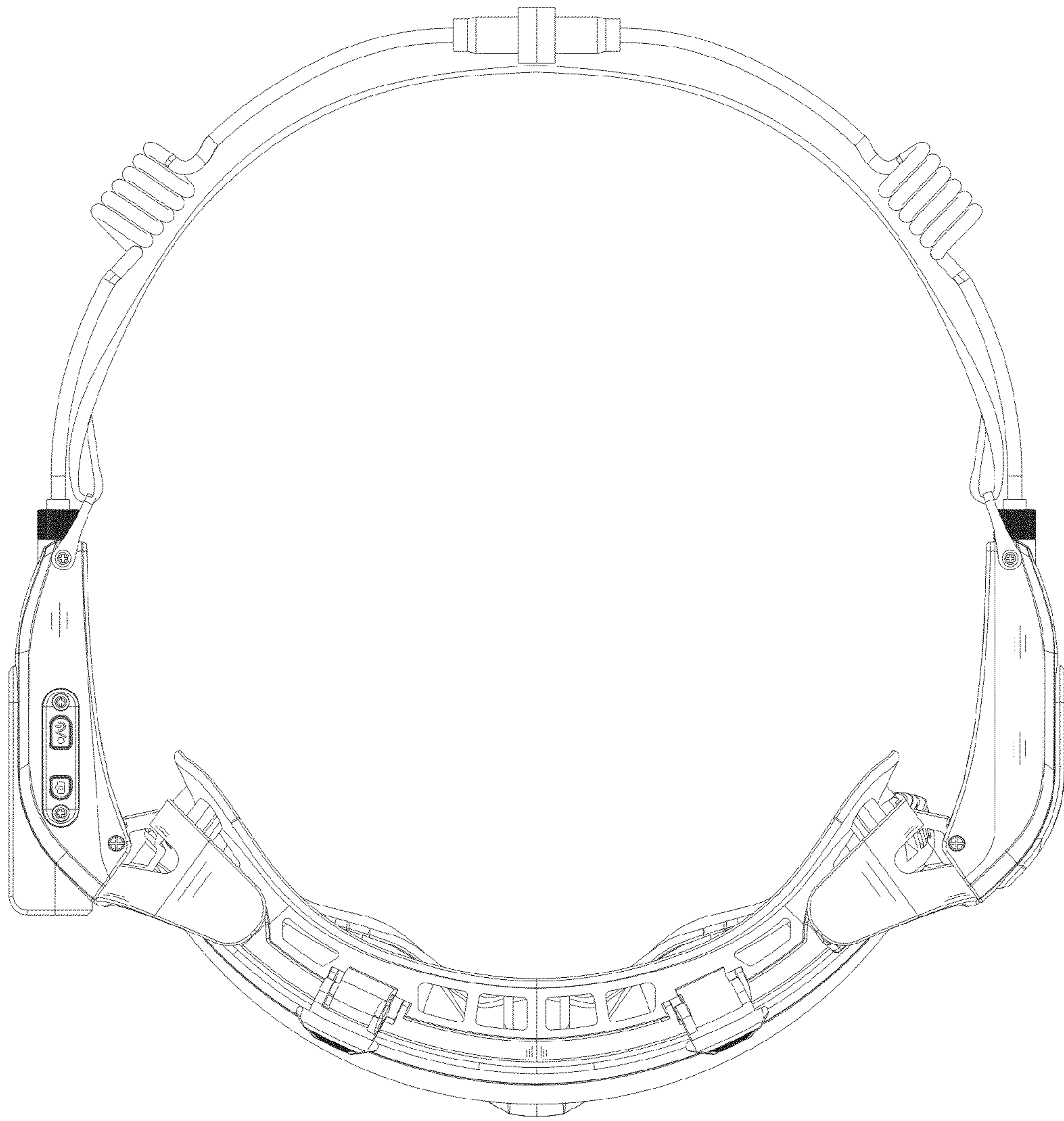


Fig. 5

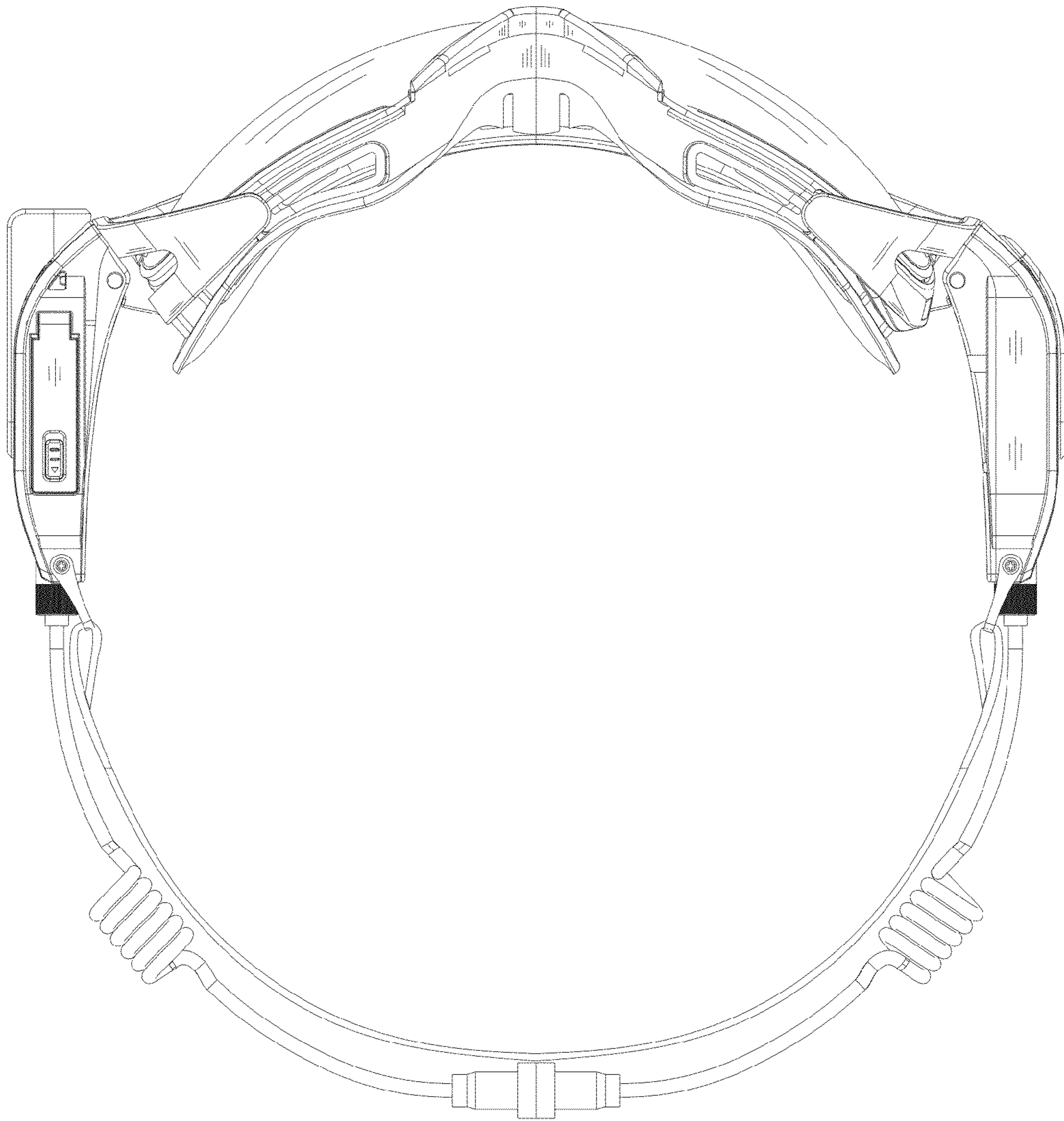


Fig. 6

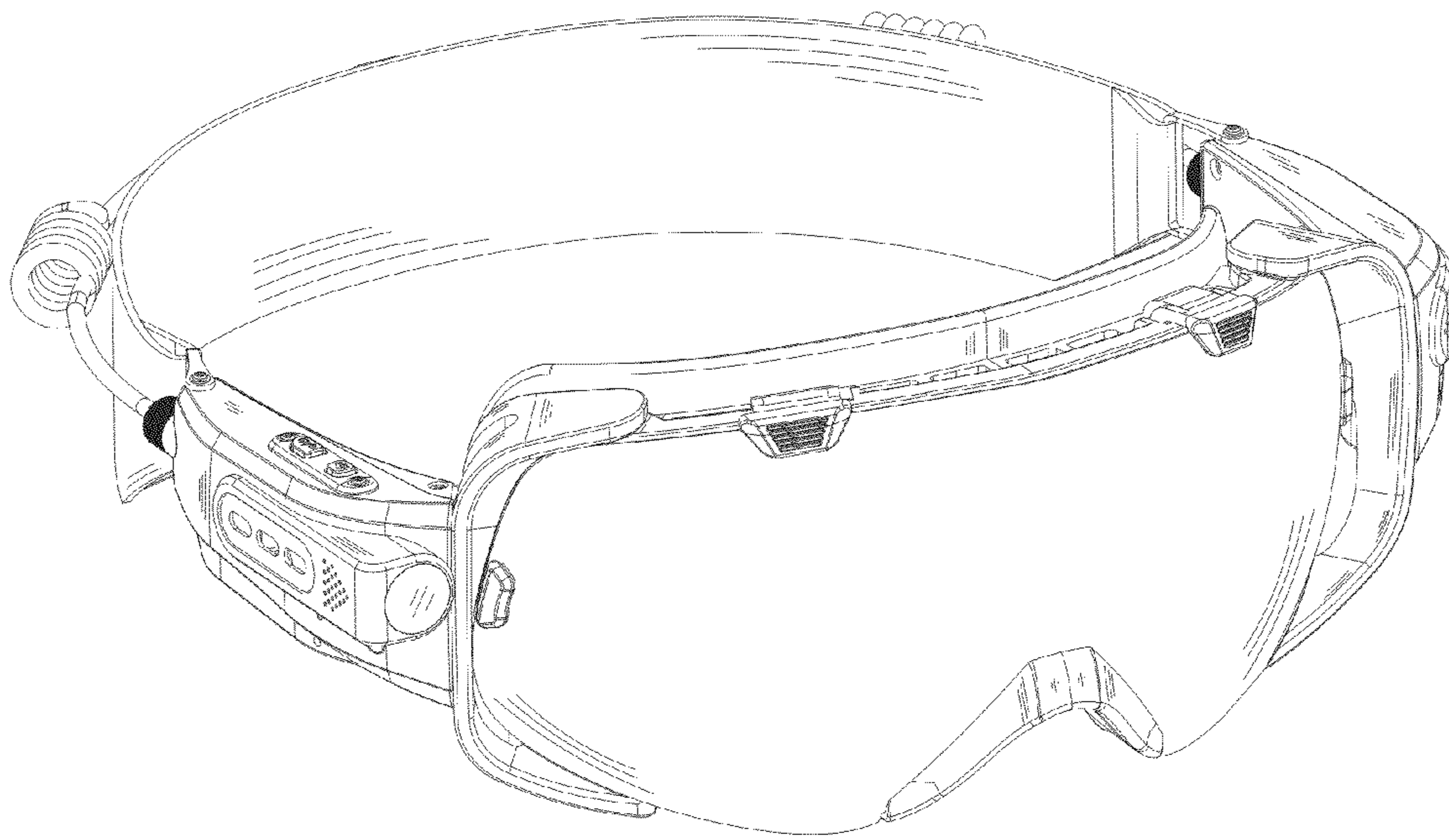


Fig. 7