

US00D736301S

(12) **United States Design Patent**
Oka et al.

(10) **Patent No.:** **US D736,301 S**

(45) **Date of Patent:** **** Aug. 11, 2015**

(54) **PROJECTOR**

(71) Applicant: **Sony Corporation**, Tokyo (JP)

(72) Inventors: **Hiroki Oka**, Tokyo (JP); **Hajime Ishihara**, Tokyo (JP)

(73) Assignee: **Sony Corporation**, Tokyo (JP)

(**) Term: **14 Years**

(21) Appl. No.: **29/461,549**

(22) Filed: **Jul. 24, 2013**

(30) **Foreign Application Priority Data**

Feb. 22, 2013	(JP)	D2013-003661
Feb. 22, 2013	(JP)	D2013-003662
Feb. 22, 2013	(JP)	D2013-003663

(51) **LOC (10) Cl.** **16-02**

(52) **U.S. Cl.**
USPC **D16/235**

(58) **Field of Classification Search**
USPC D16/221, 225, 229–230, 232–233, 235;
D21/514; D14/356; 345/5; 348/333.1,
348/333.11–333.12, 54; 353/34, 49, 115,
353/119, 122
See application file for complete search history.

(56) **References Cited**

U.S. PATENT DOCUMENTS

3,462,214	A *	8/1969	Glenn, Jr.	D16/225
6,072,600	A *	6/2000	Wertsberger	D16/229
D598,018	S	8/2009	Sumii		
D600,694	S	9/2009	Sumii		

D617,361	S *	6/2010	Simonsen et al.	D16/225
8,550,638	B2 *	10/2013	Shine	353/119
8,911,096	B2 *	12/2014	Uchiyama et al.	353/119

* cited by examiner

Primary Examiner — Wan Laymon

(74) *Attorney, Agent, or Firm* — Fishman Stewart Yamaguchi PLLC

(57) **CLAIM**

The ornamental design for a projector, as shown and described.

DESCRIPTION

FIG. 1 is a front, top, right perspective view of a first embodiment of a projector showing our new design;
 FIG. 2 is a front, bottom, right perspective view thereof;
 FIG. 3 is a front elevational view thereof;
 FIG. 4 is a left side elevational view thereof; and
 FIG. 5 is a right side elevational view thereof.
 FIG. 6 is a front, top, right perspective view of a second embodiment of a projector showing our new design;
 FIG. 7 is a front, bottom, right perspective view thereof;
 FIG. 8 is a front elevational view thereof;
 FIG. 9 is a left side elevational view thereof; and
 FIG. 10 is a right side elevational view thereof.
 FIG. 11 is a front, top, right perspective view of a third embodiment of a projector showing our new design;
 FIG. 12 is a front, bottom, right perspective view thereof;
 FIG. 13 is a front elevational view thereof;
 FIG. 14 is a left side elevational view thereof; and
 FIG. 15 is a right side elevational view thereof.

The broken lines shown in the figures represent portions of the projector that form no part of the claimed design.

1 Claim, 15 Drawing Sheets

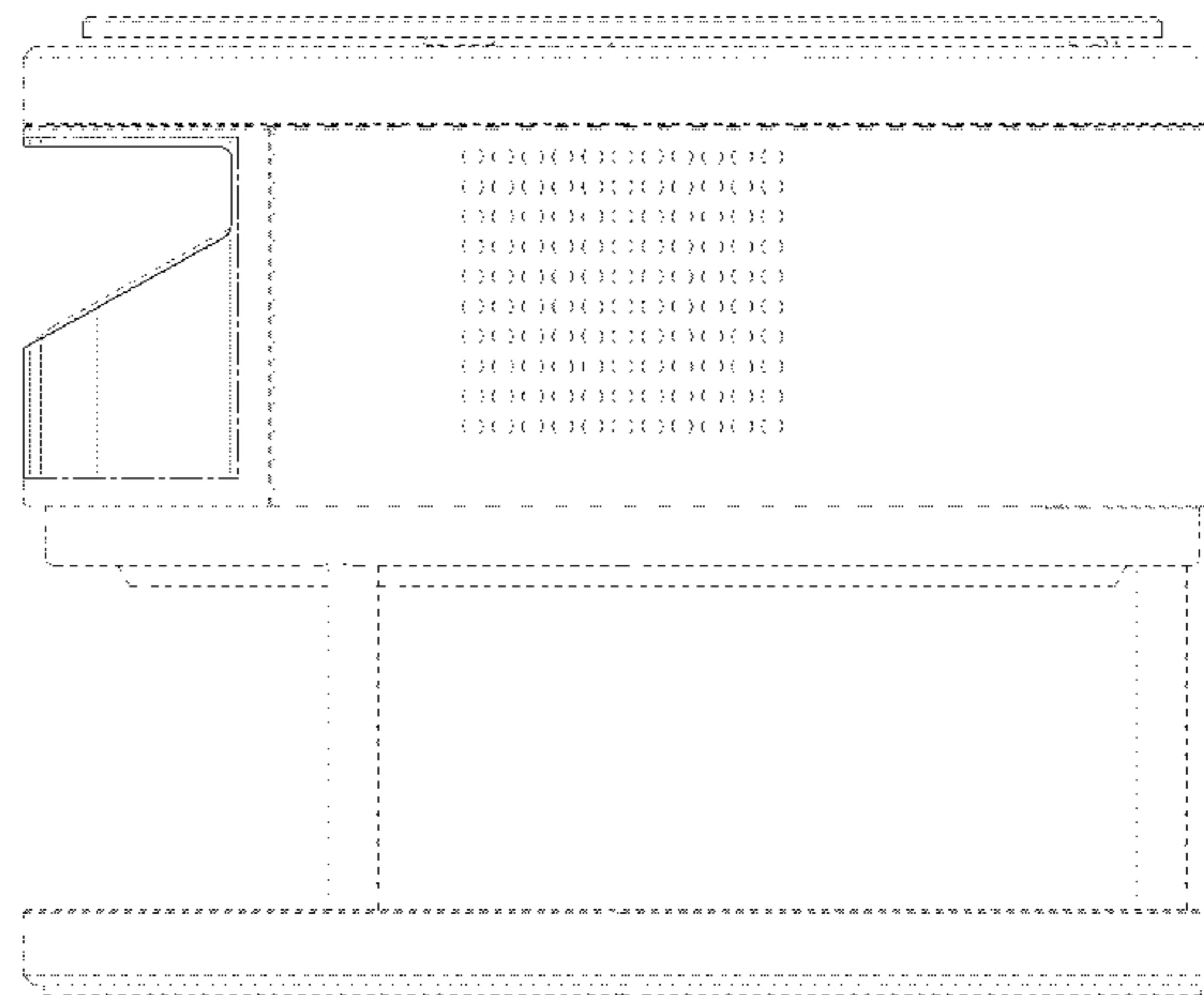
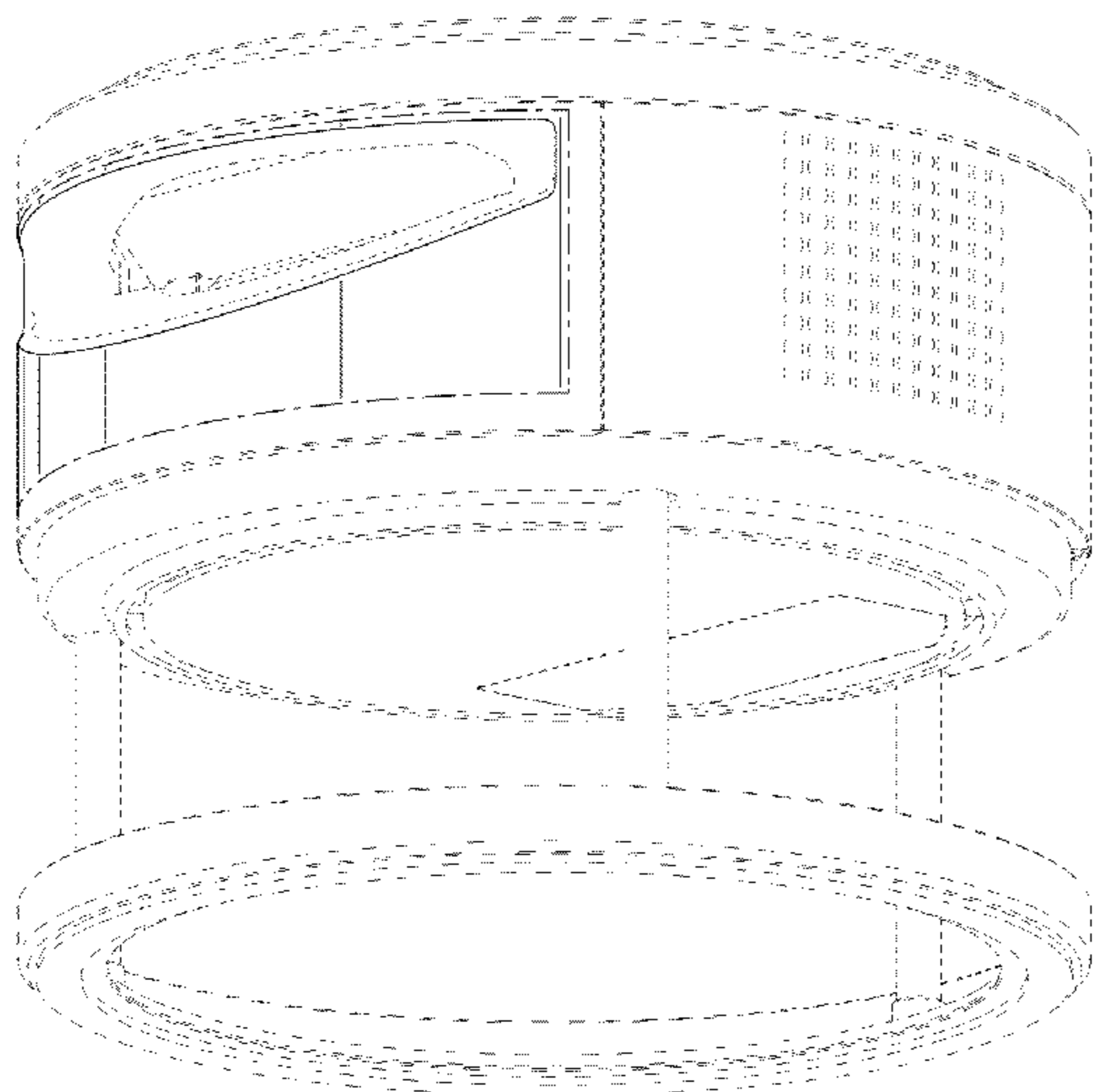


FIG.1

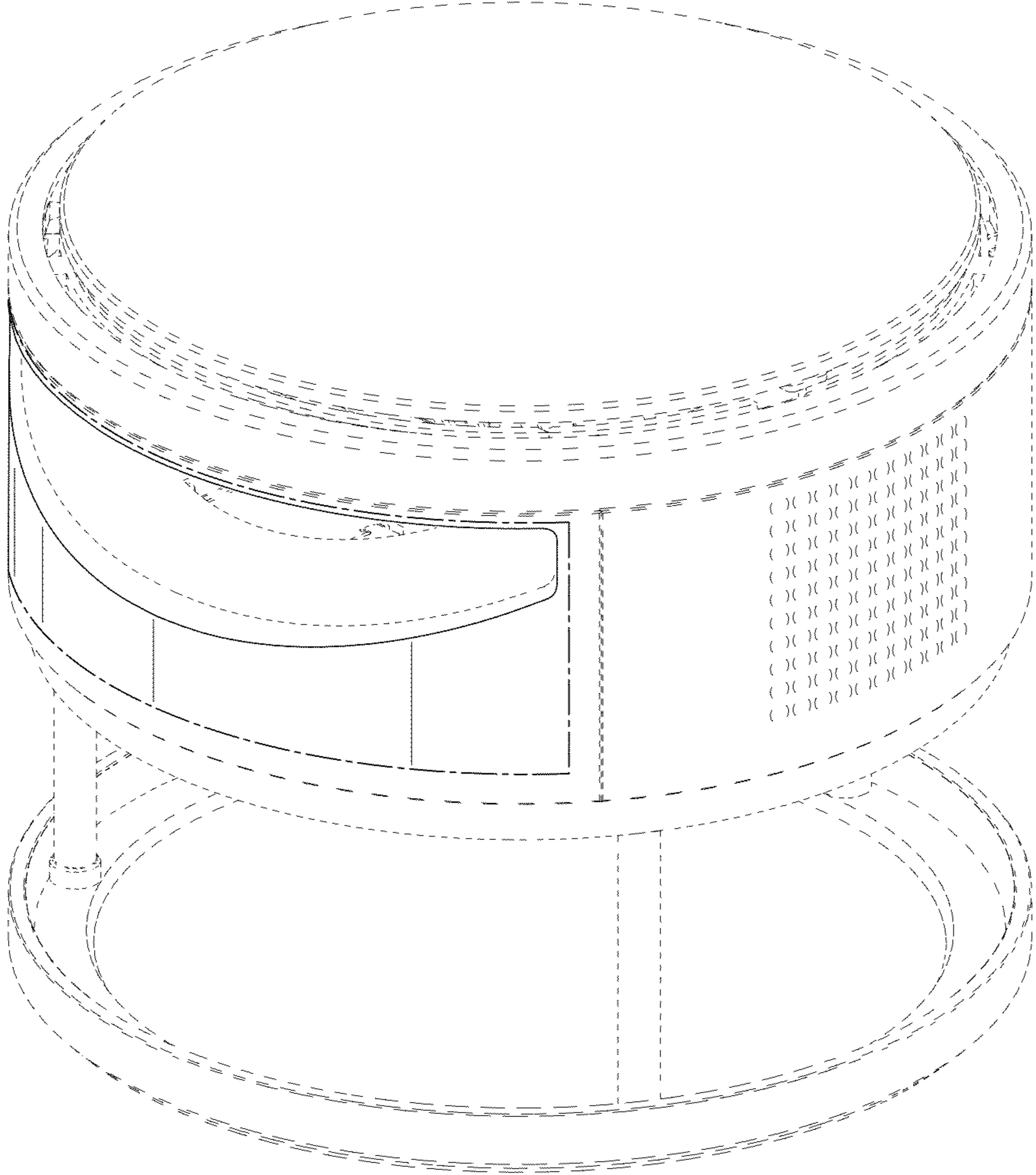


FIG.2

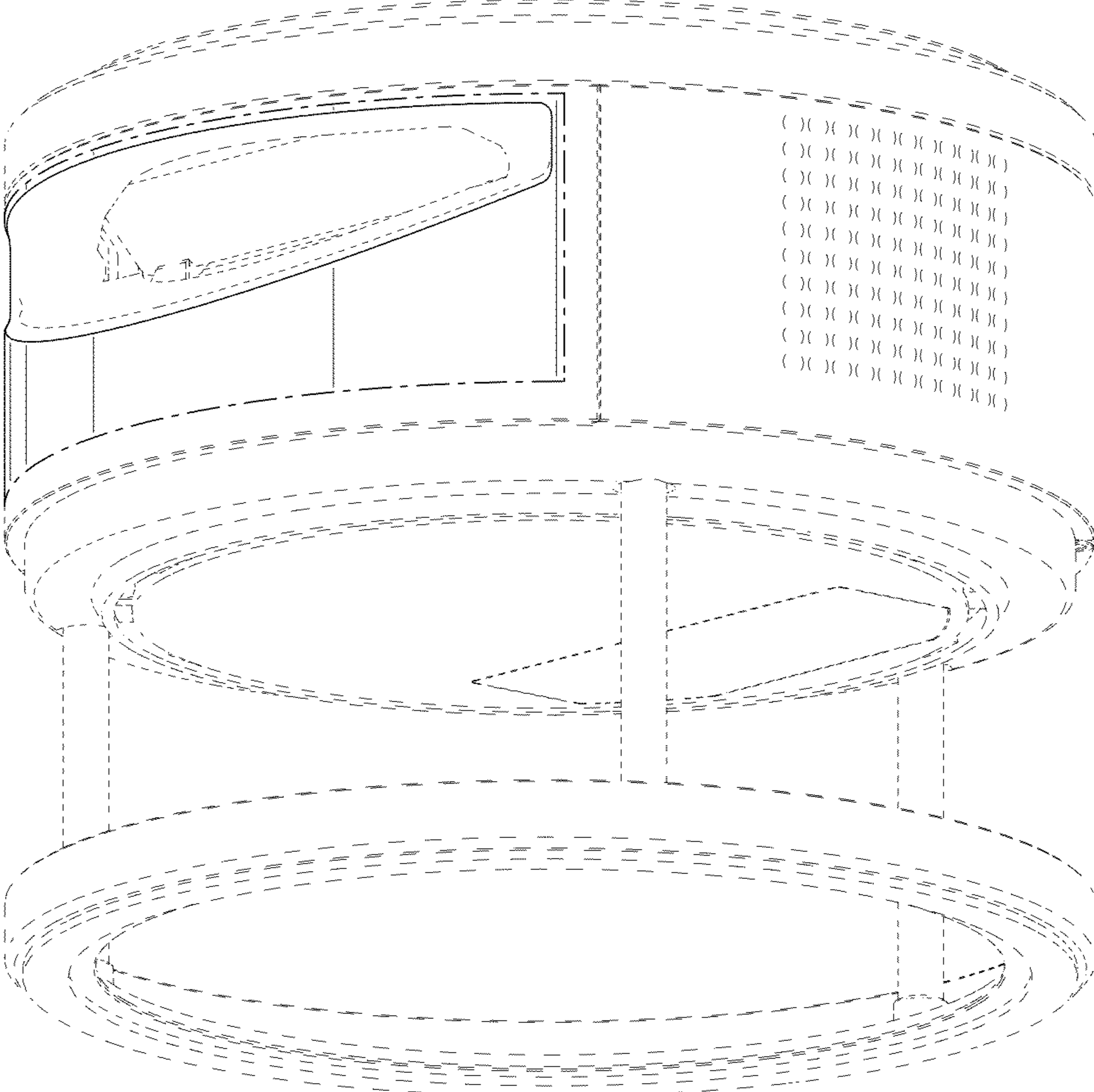


FIG.3

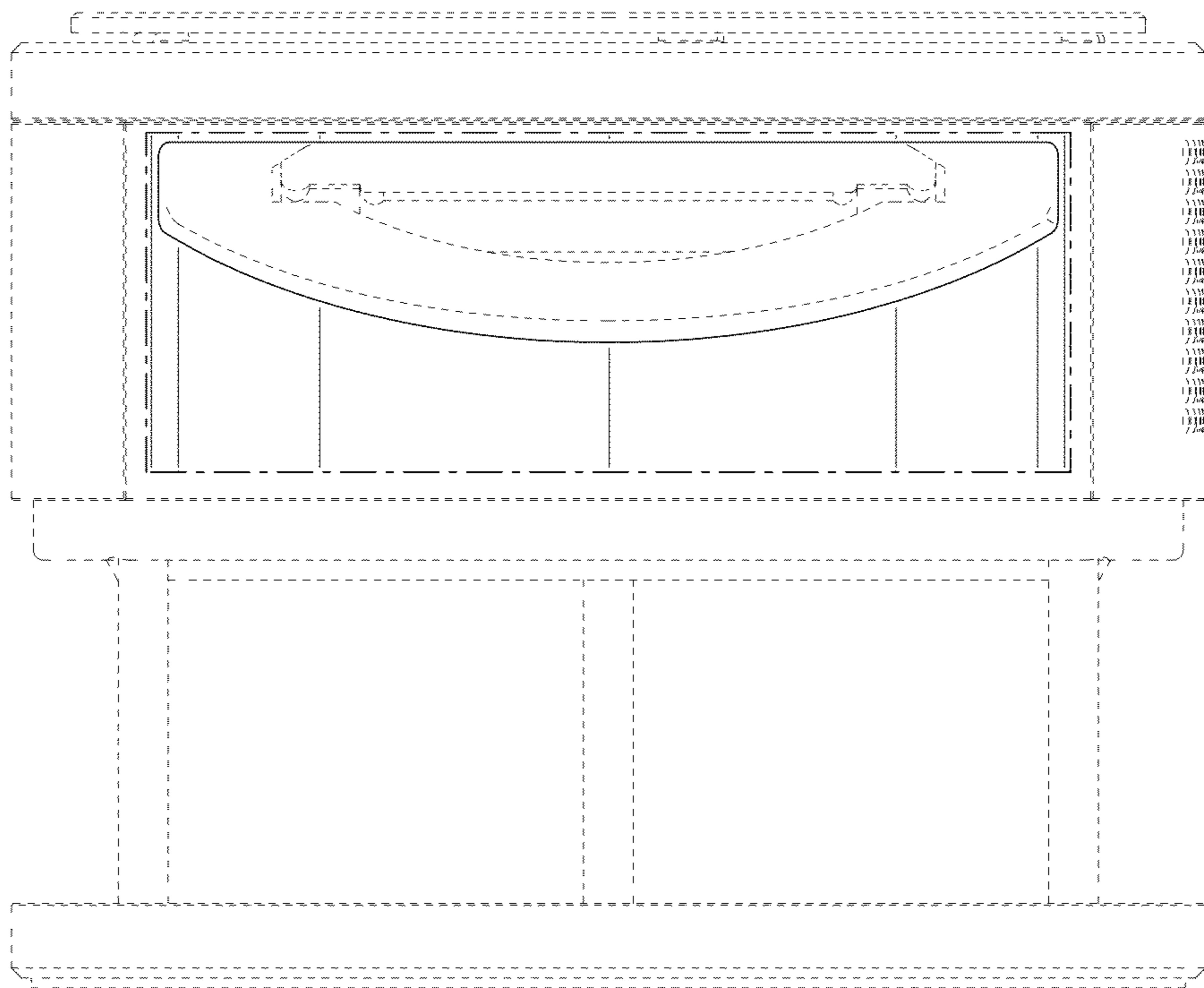


FIG.4

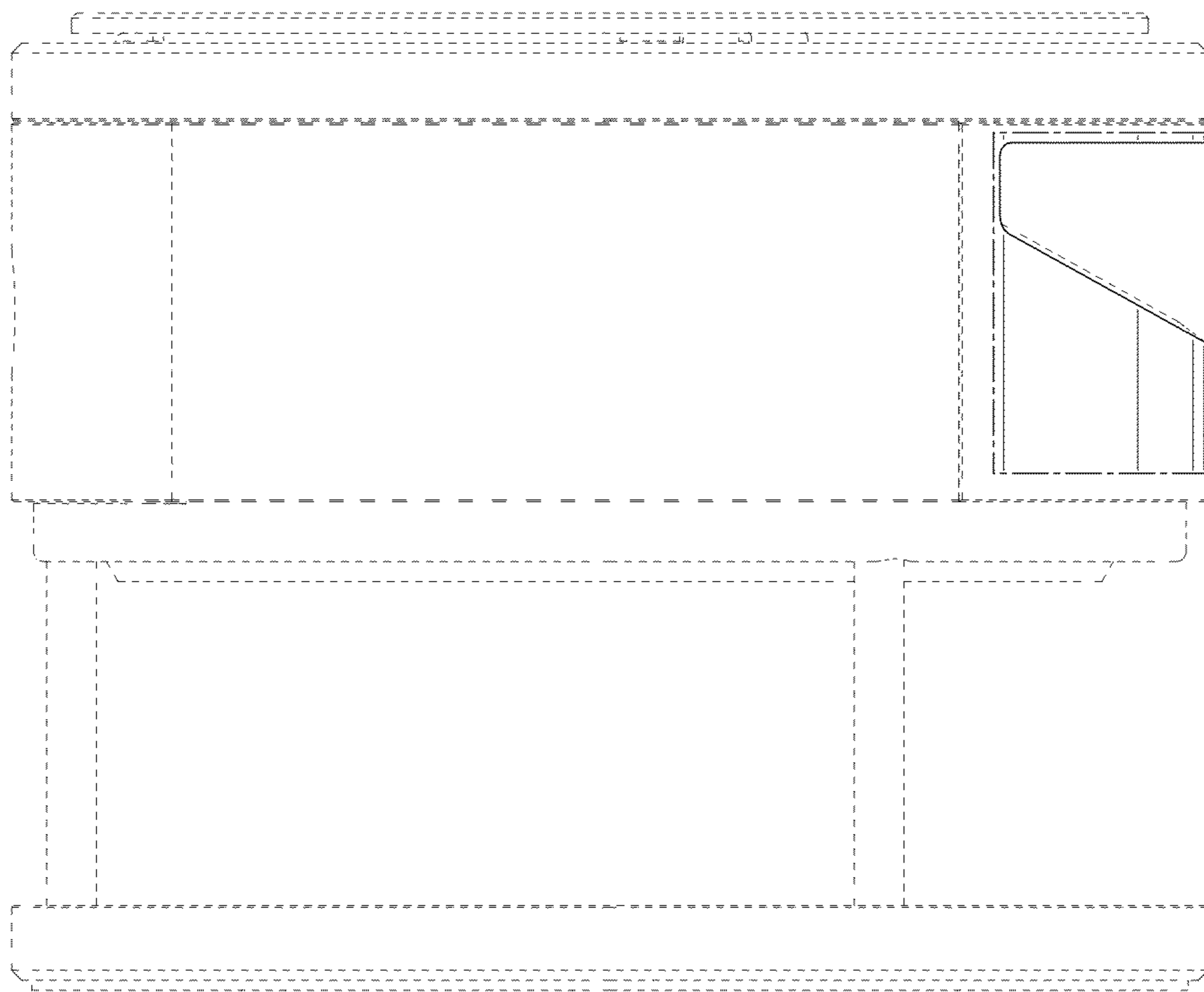


FIG.5

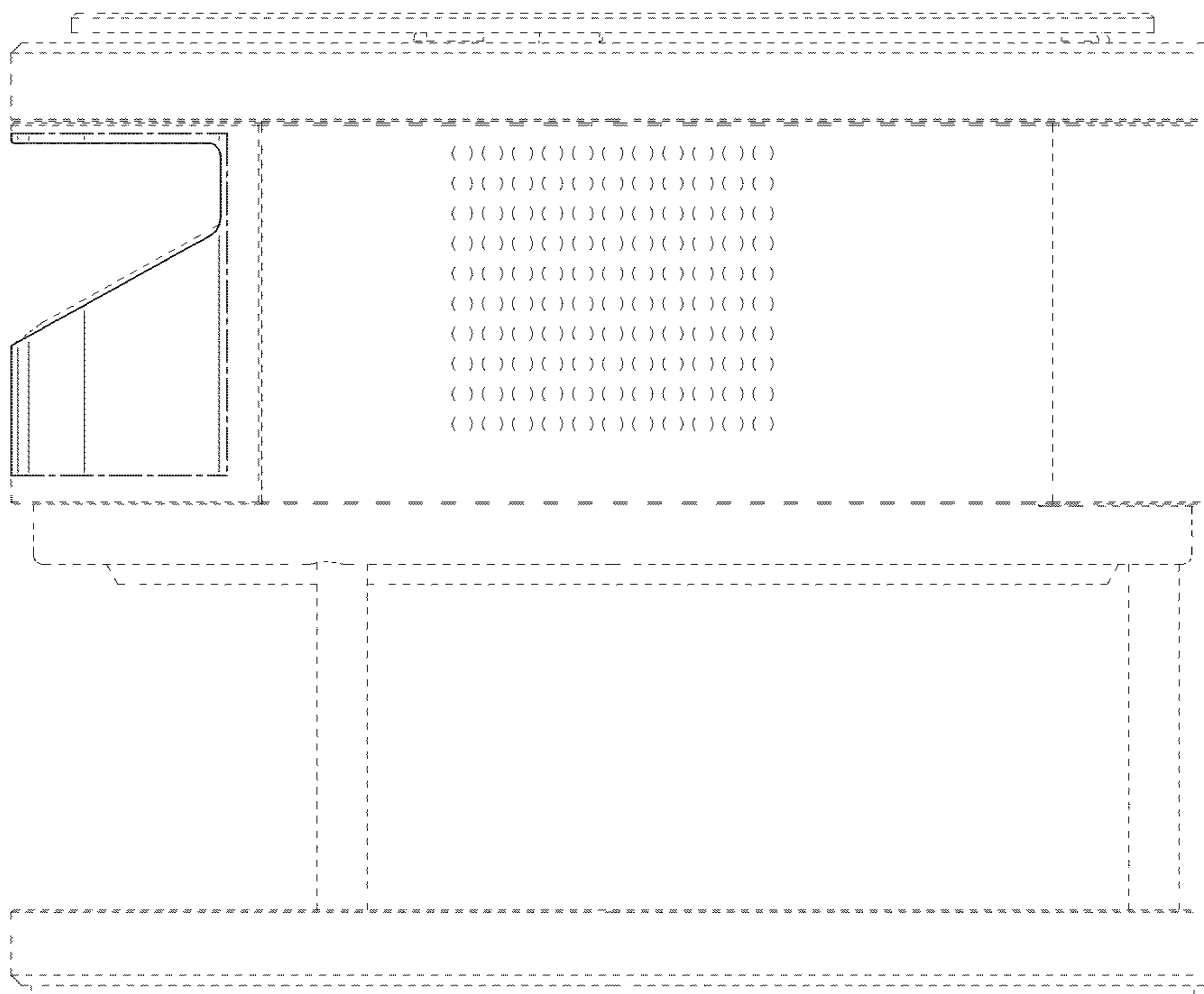


FIG.6

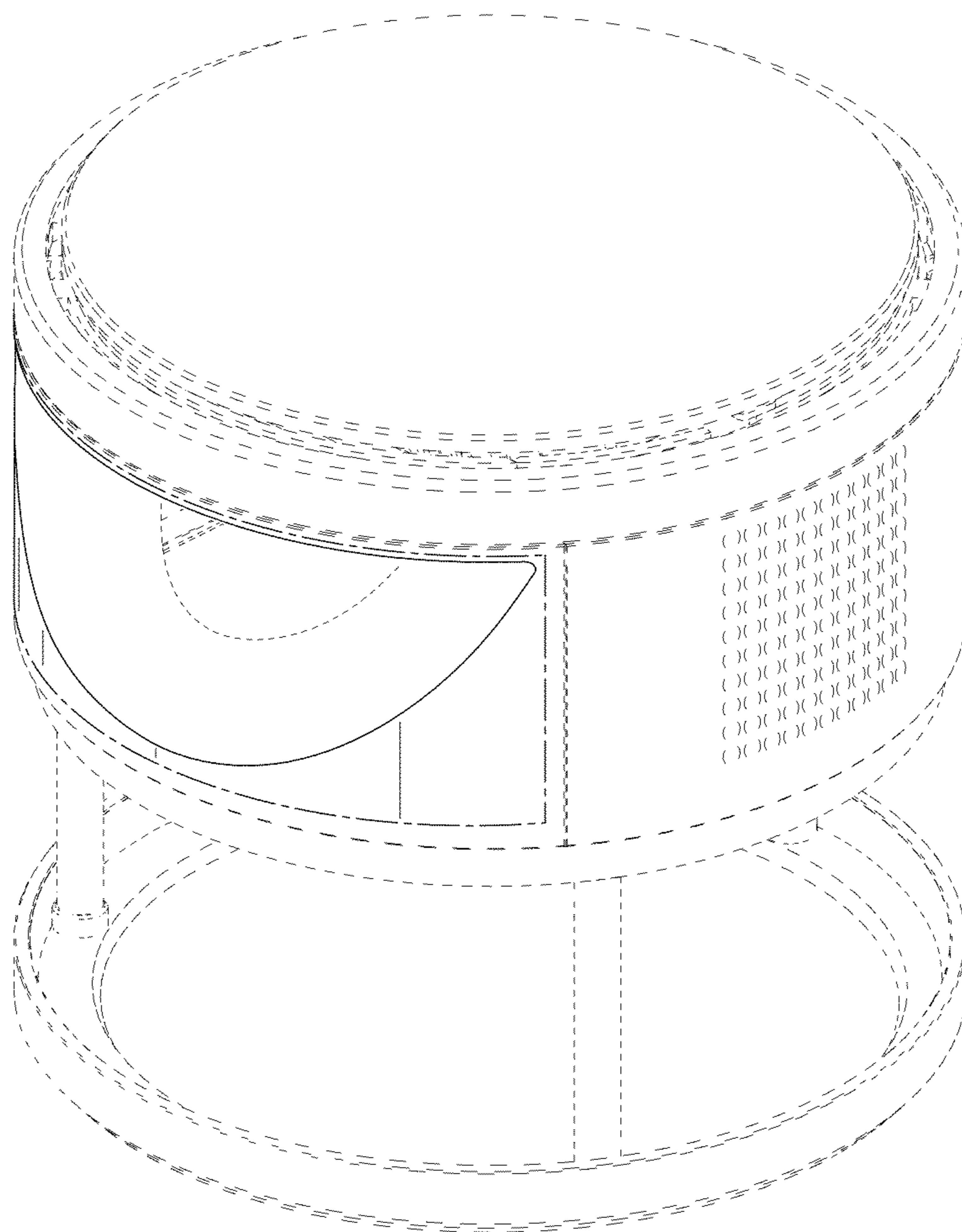


FIG.7

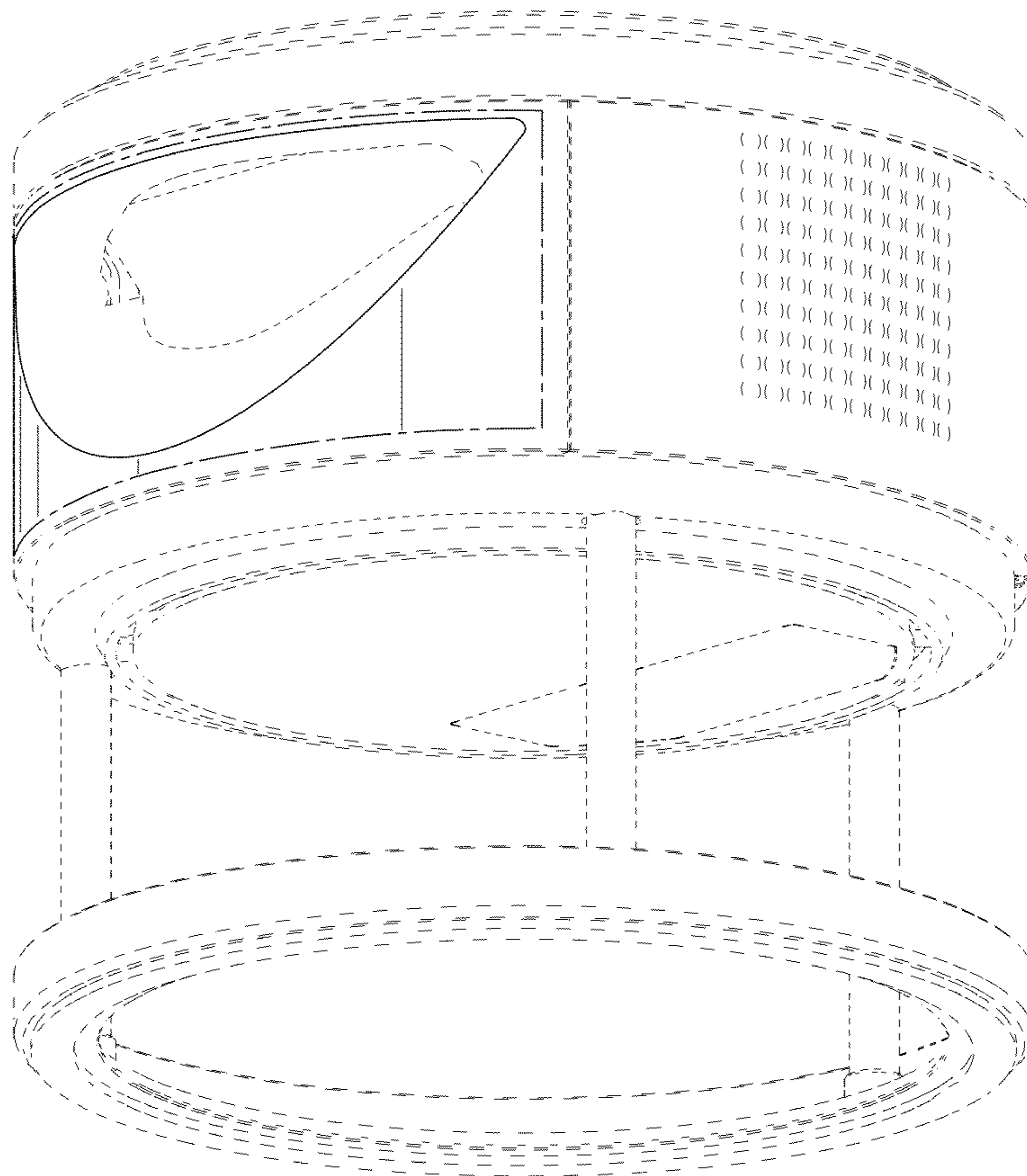


FIG.8

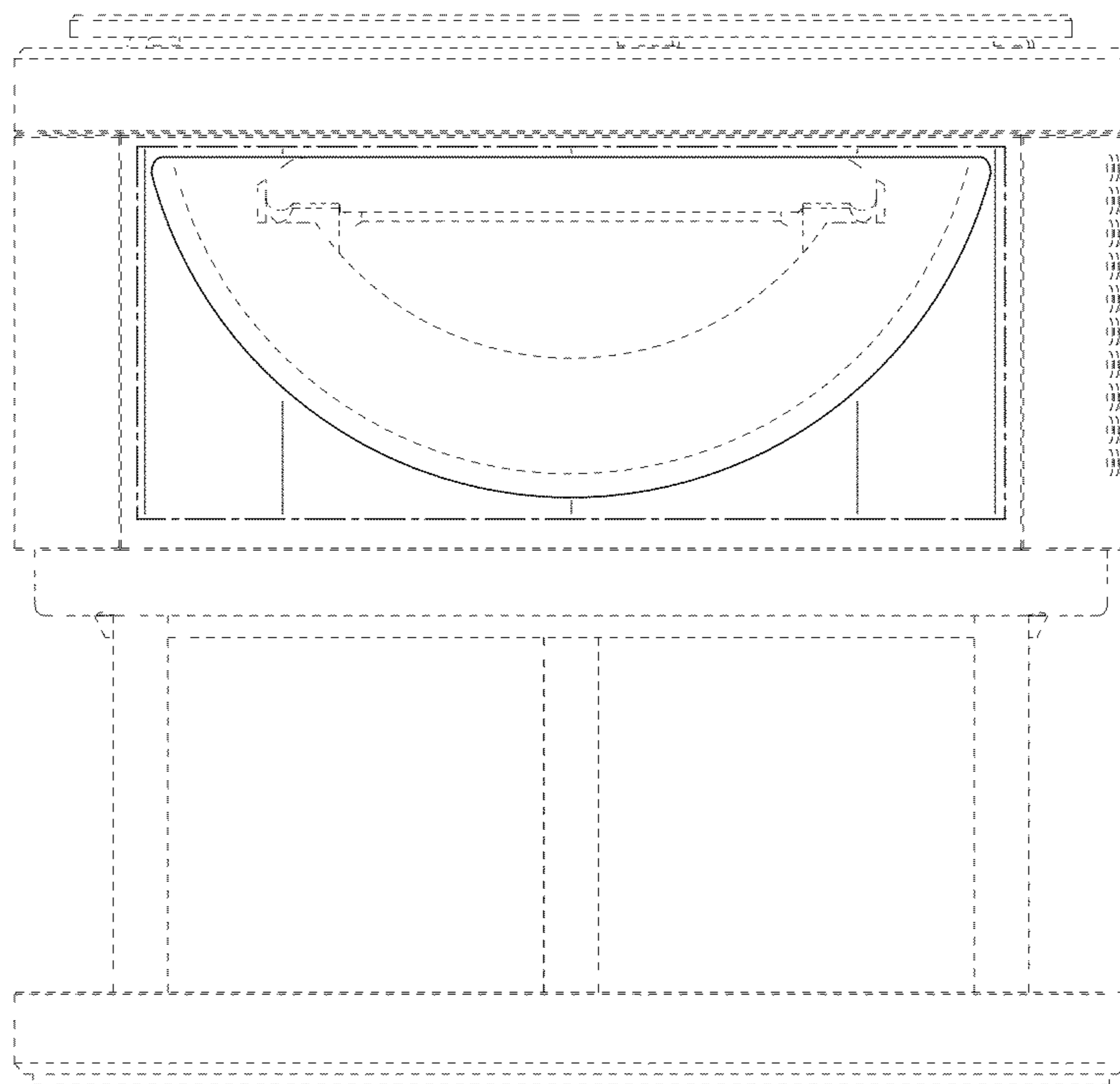


FIG.9

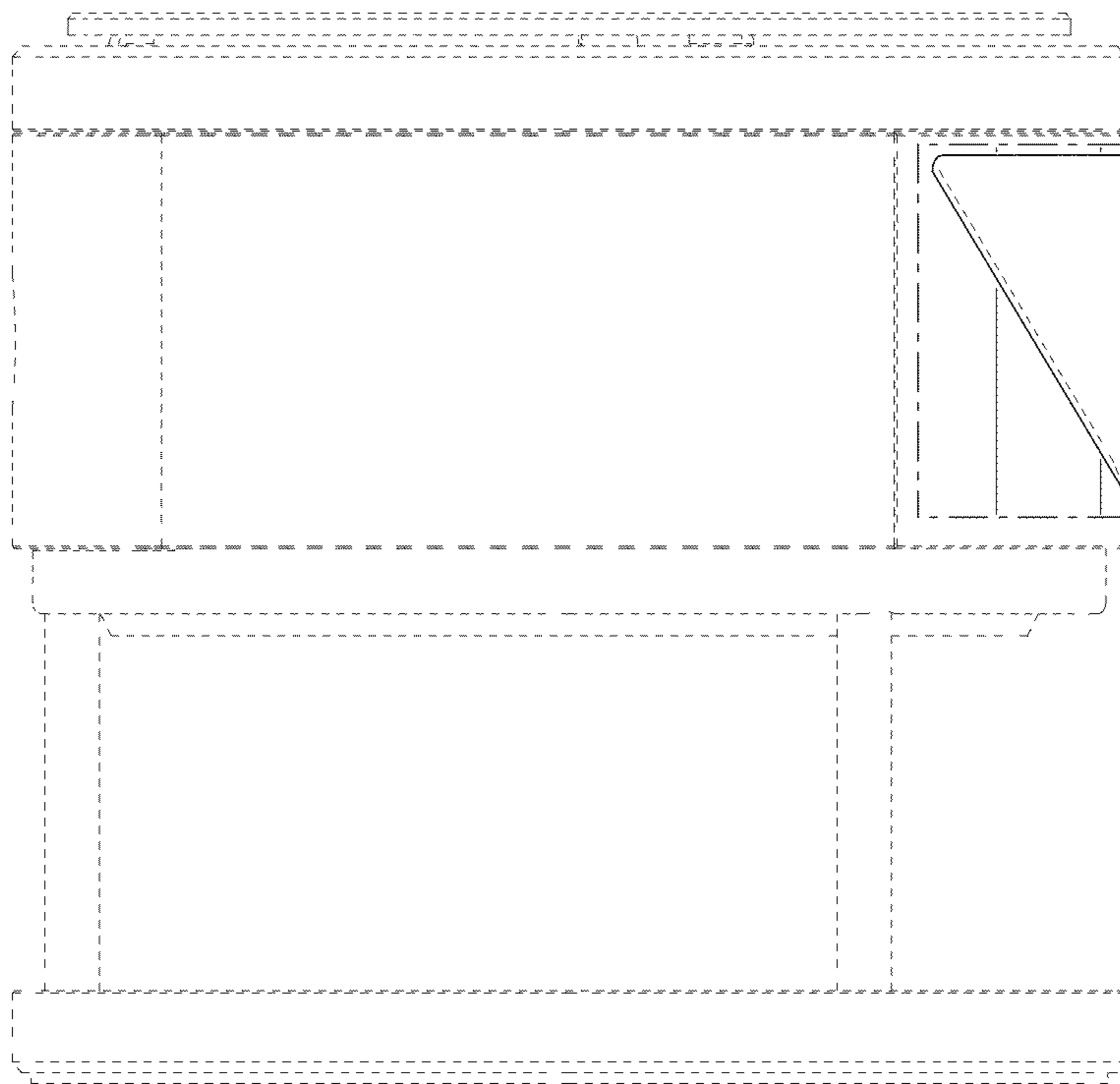


FIG.10

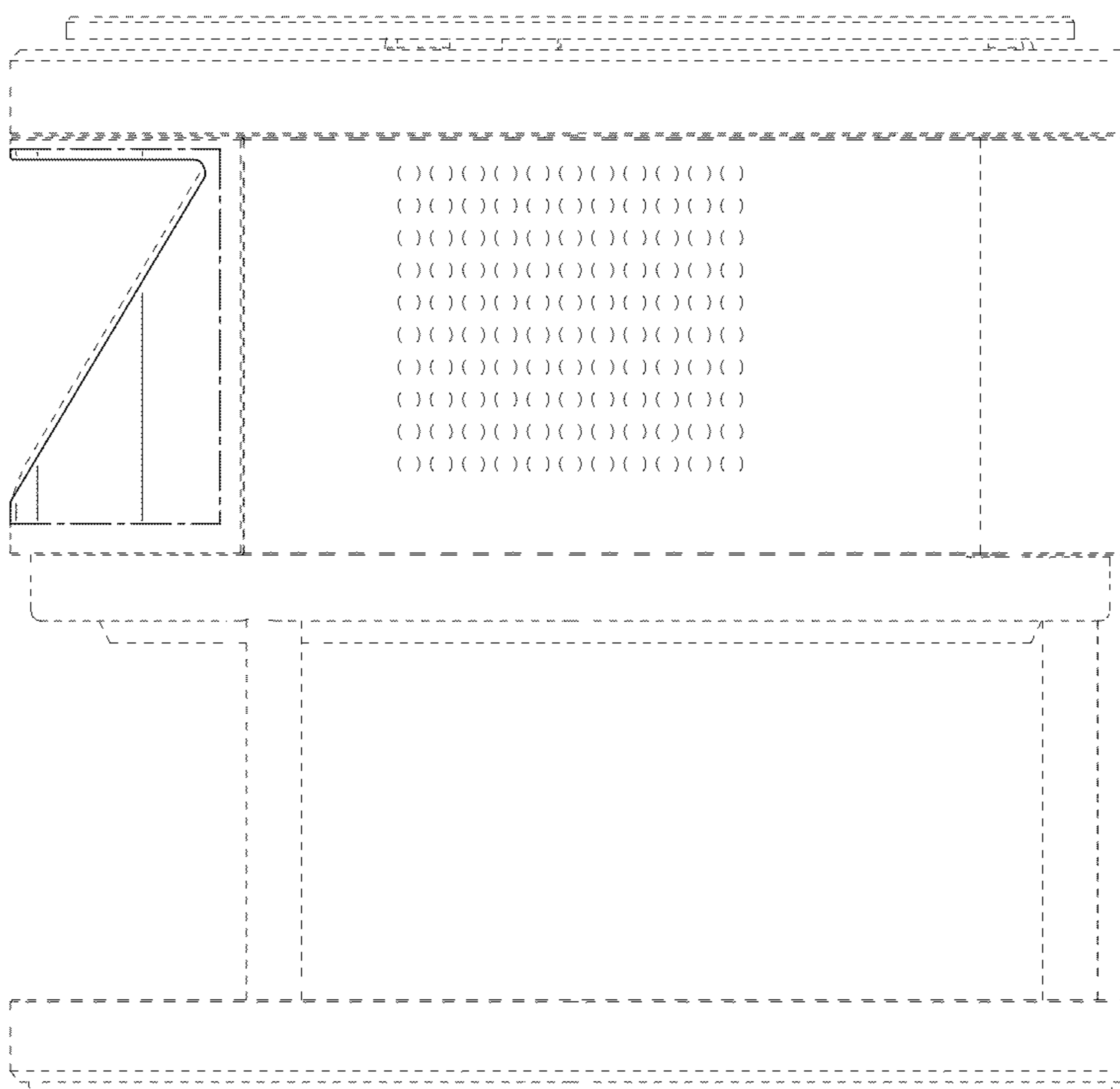


FIG.11

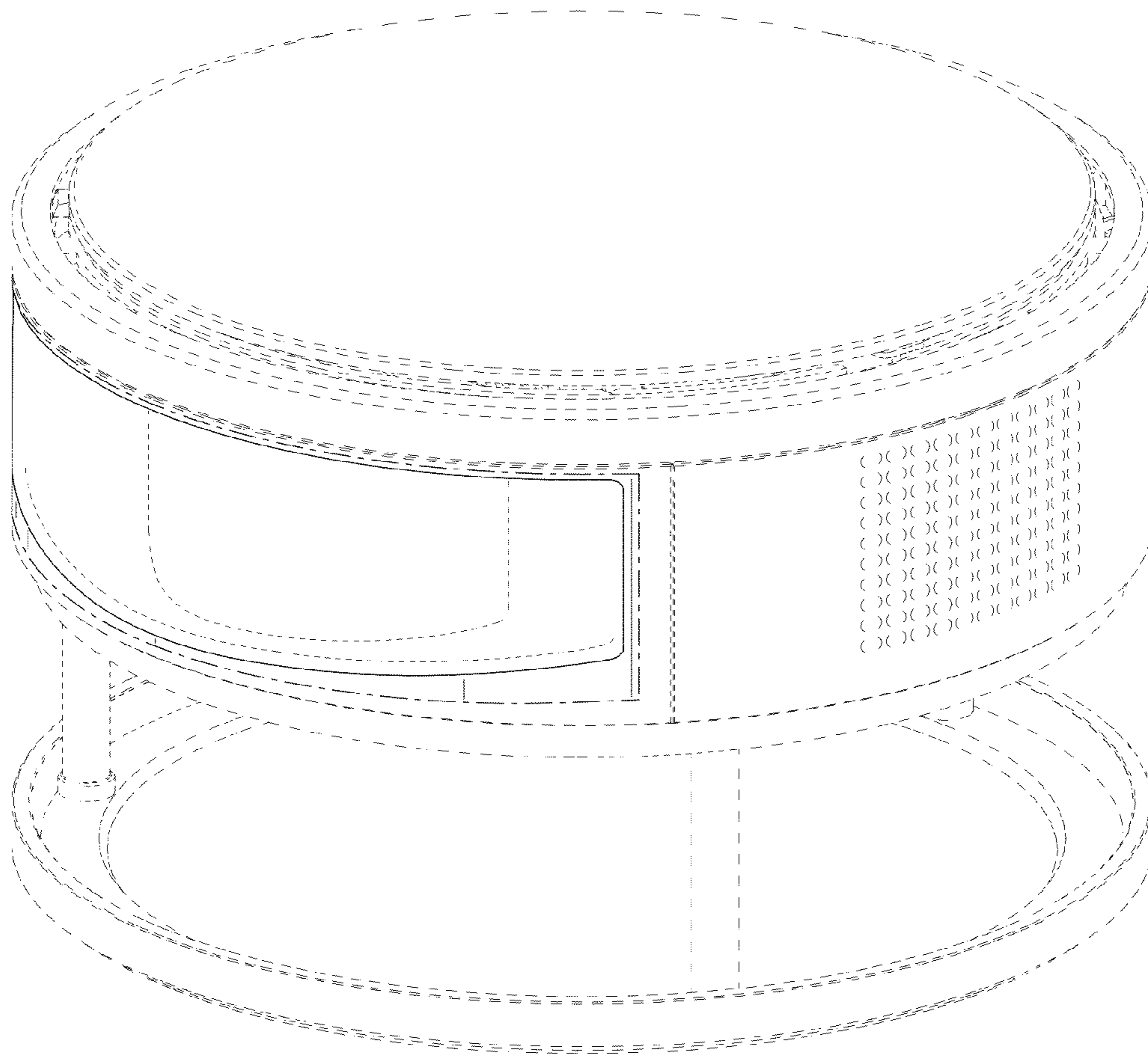


FIG.12

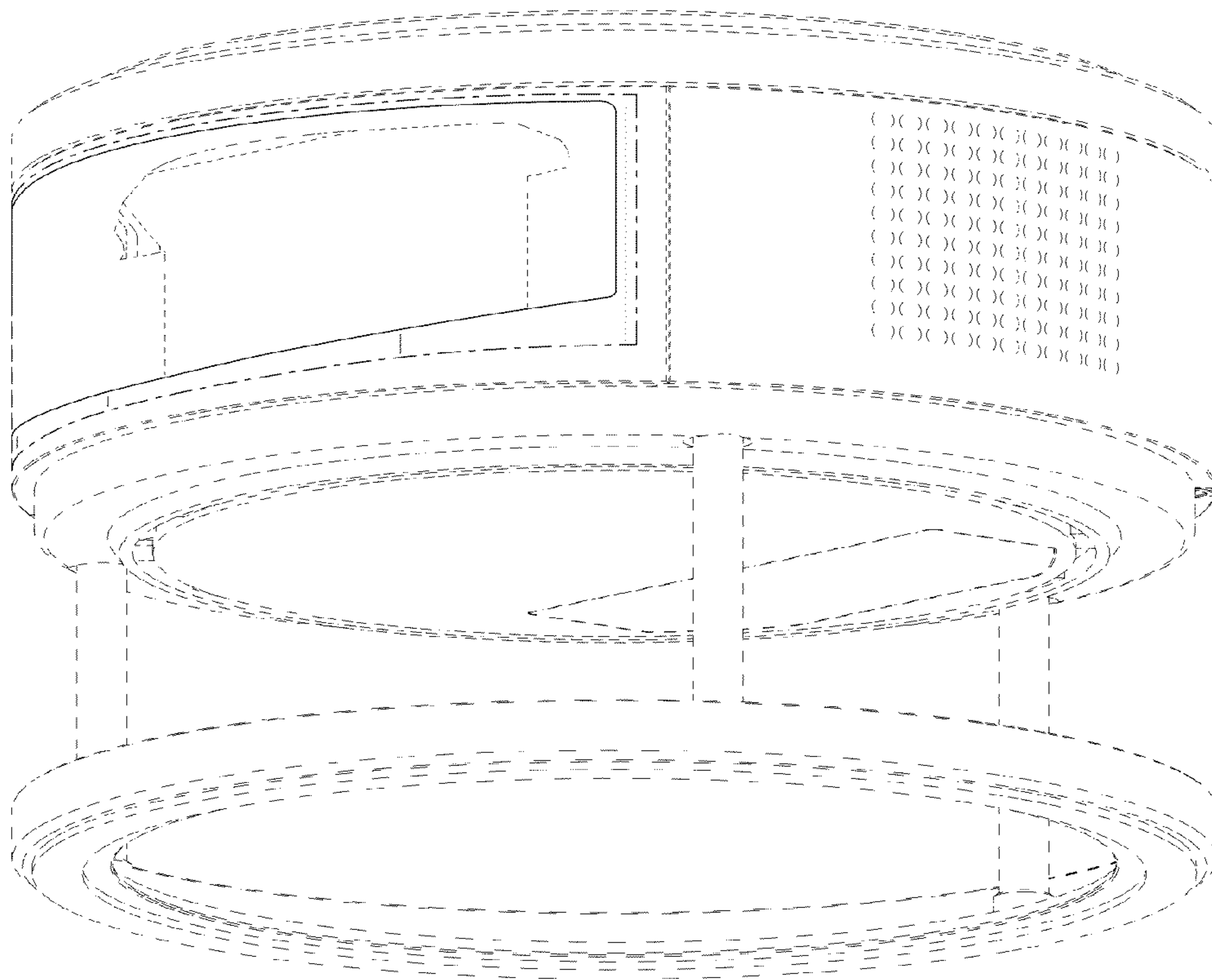


FIG.13

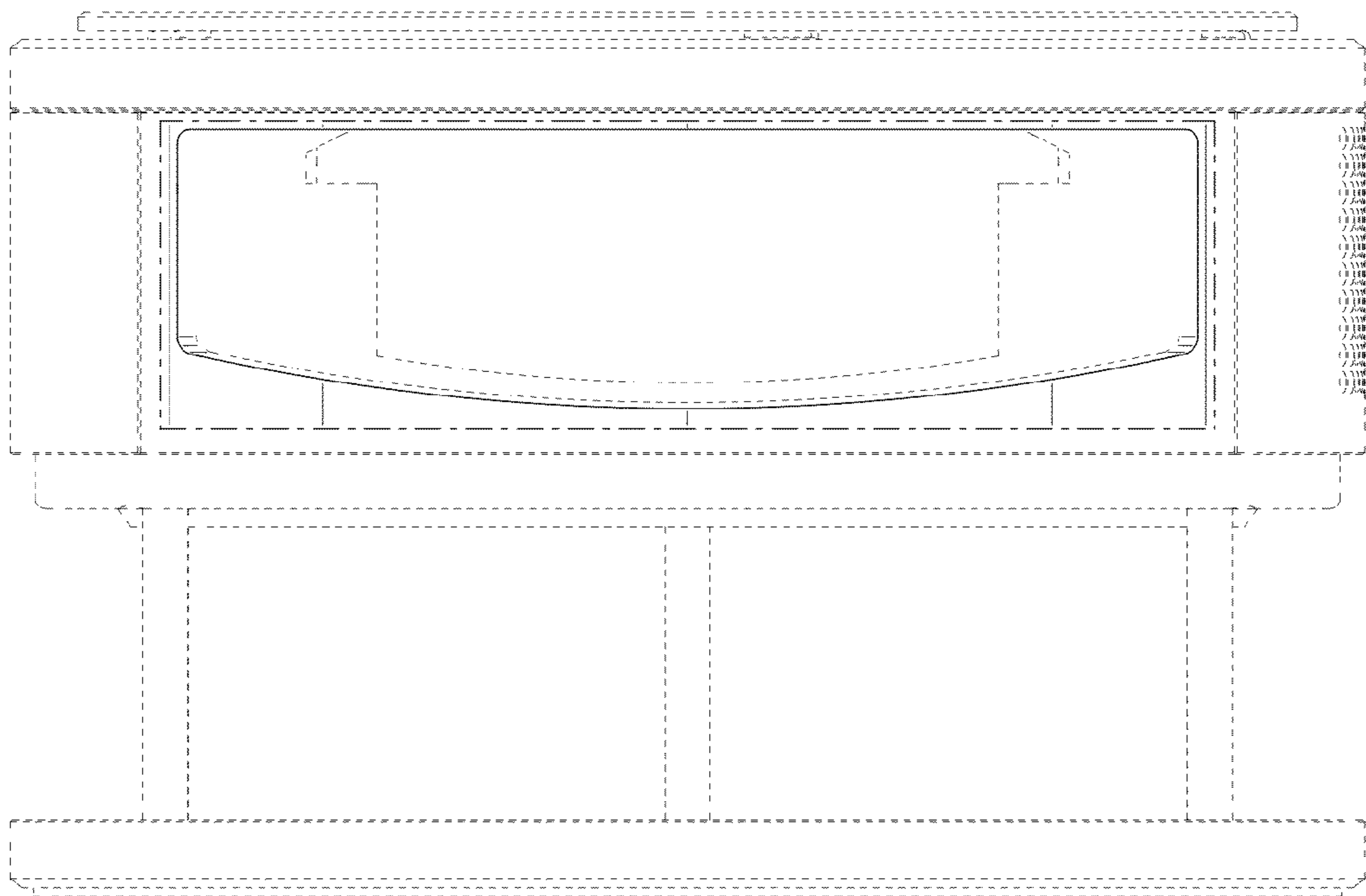


FIG.14

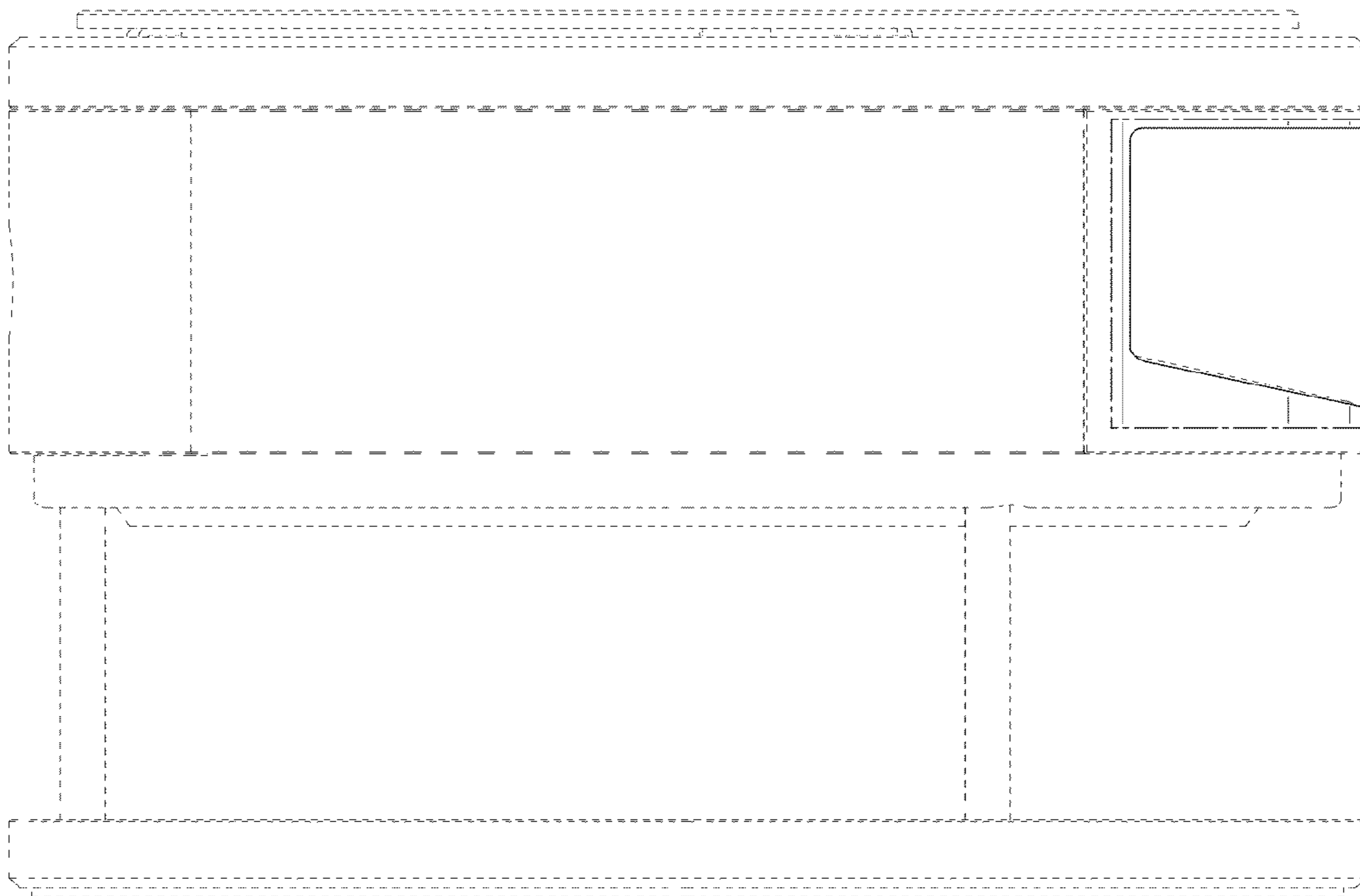


FIG.15

