



US00D736300S

(12) **United States Design Patent**
Nagaoka et al.

(10) **Patent No.:** **US D736,300 S**
(45) **Date of Patent:** **** Aug. 11, 2015**

(54) **DIGITAL CAMERA**

(71) Applicant: **Nikon Corporation**, Tokyo (JP)

(72) Inventors: **Yasuki Nagaoka**, Saitama (JP); **Akira Nojima**, Tokyo (JP)

(73) Assignee: **Nikon Corporation**, Tokyo (JP)

(**) Term: **14 Years**

(21) Appl. No.: **29/487,415**

(22) Filed: **Apr. 8, 2014**

(30) **Foreign Application Priority Data**

Oct. 9, 2013 (JP) 2013-023652

(51) **LOC (10) Cl.** **16-05**

(52) **U.S. Cl.**
USPC **D16/219**

(58) **Field of Classification Search**
USPC D16/200, 202, 208, 216, 217, 218, 219;
348/373-376; 396/439, 535-541
See application file for complete search history.

(56) **References Cited**

U.S. PATENT DOCUMENTS

D253,475 S * 11/1979 Kramer et al. D16/217
D491,596 S * 6/2004 Haga D16/219

6,760,548 B2 * 7/2004 Seki et al. 396/287
D530,357 S * 10/2006 Takahashi et al. D16/219
D556,229 S * 11/2007 Bai D16/202
D647,552 S * 10/2011 Ogasawara et al. D16/202
D654,943 S * 2/2012 Ogasawara et al. D16/219
D701,257 S * 3/2014 Ogawa D16/202

* cited by examiner

Primary Examiner — Adir Aronovich

(74) *Attorney, Agent, or Firm* — Wolf, Greenfield & Sacks, P.C.

(57) **CLAIM**

The ornamental design for a digital camera, as shown and described.

DESCRIPTION

FIG. 1 is a front, top and right side perspective view of a digital camera showing our new design;
FIG. 2 is a rear, top and left side perspective view thereof;
FIG. 3 is a front view thereof;
FIG. 4 is a rear view thereof;
FIG. 5 is a top plan view thereof; and,
FIG. 6 is a left side view thereof.
The features shown in broken lines in the drawings depict environmental subject matter only and form no part of the claimed design.

1 Claim, 6 Drawing Sheets

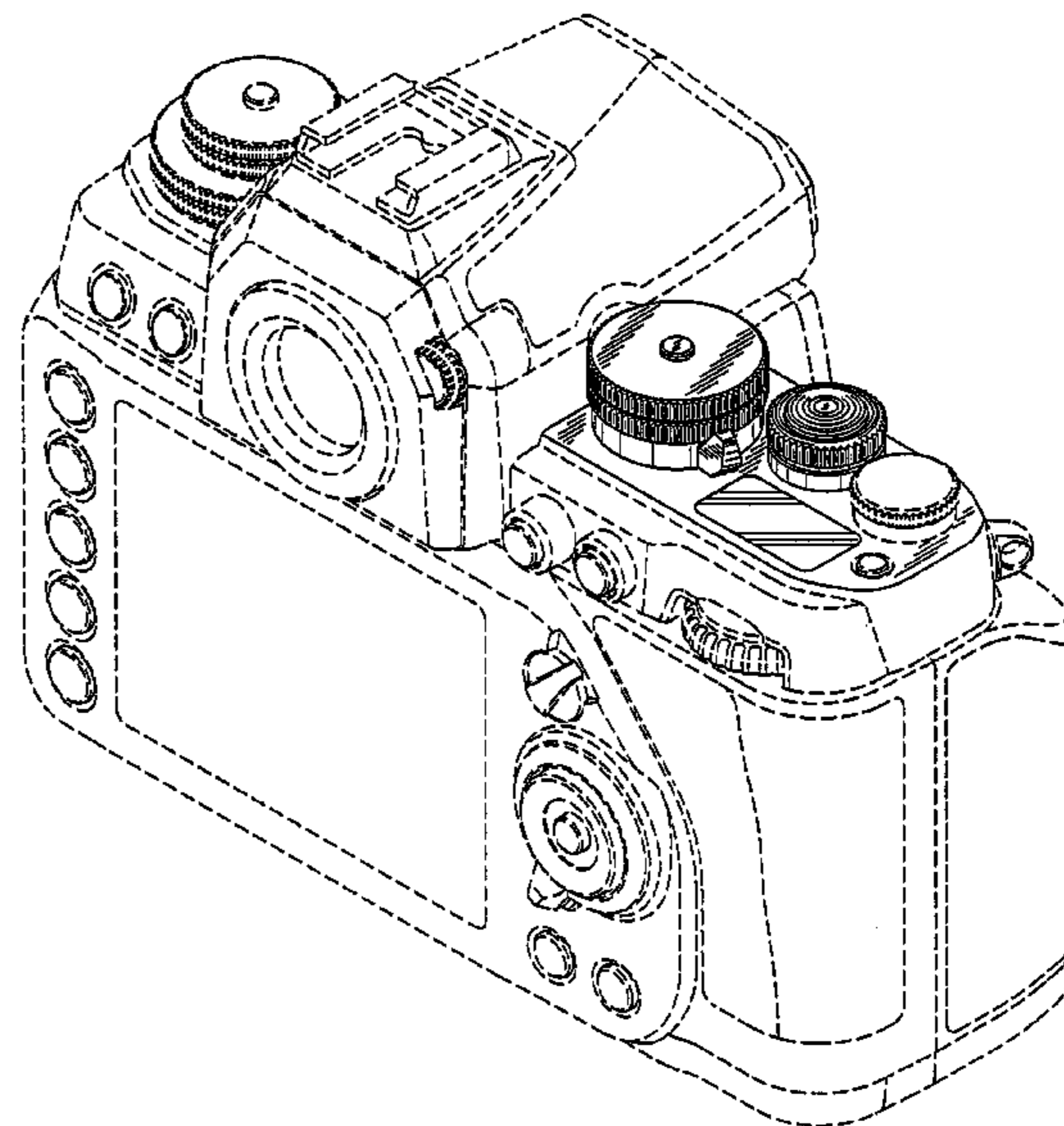
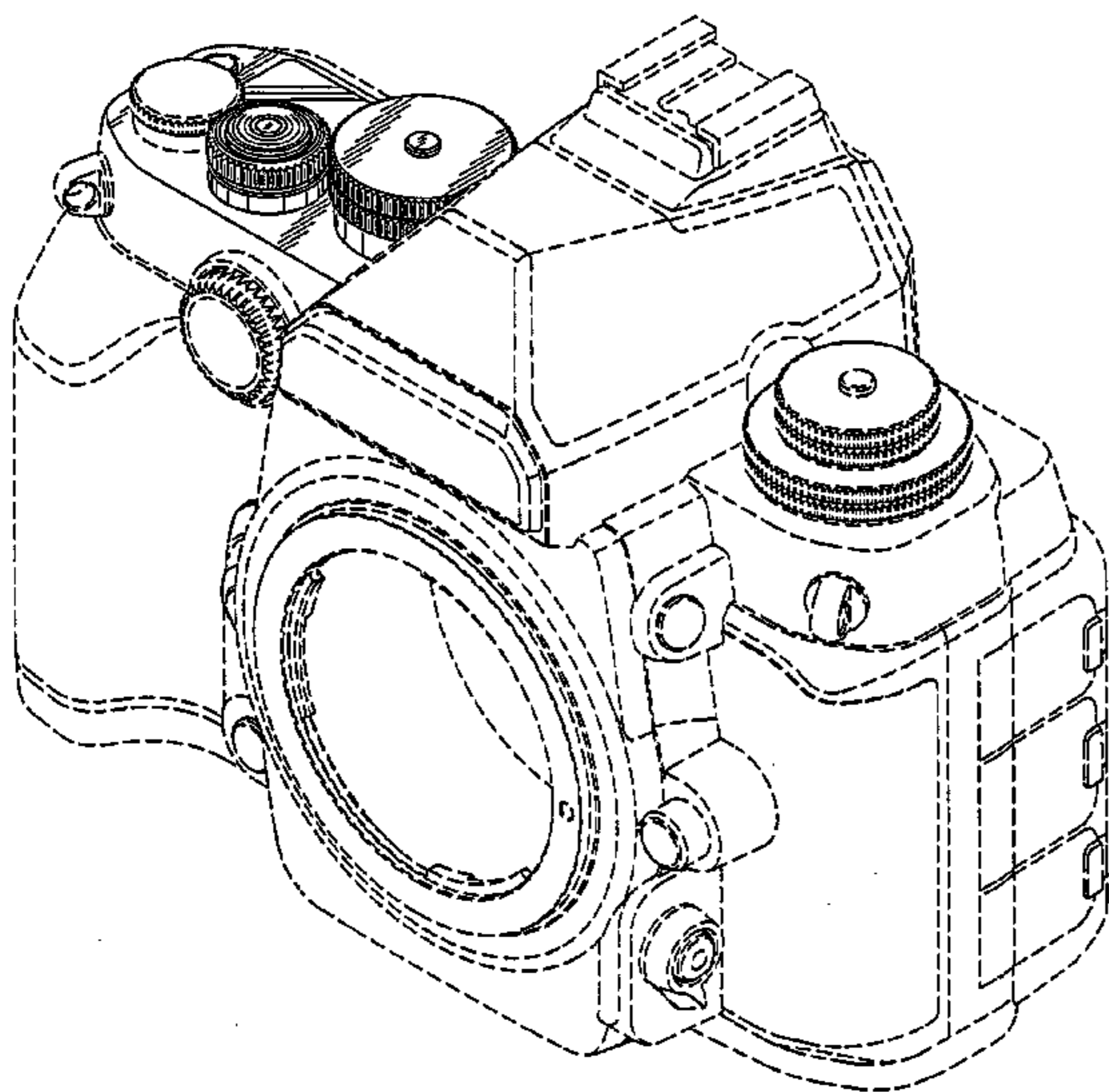


FIG. 1

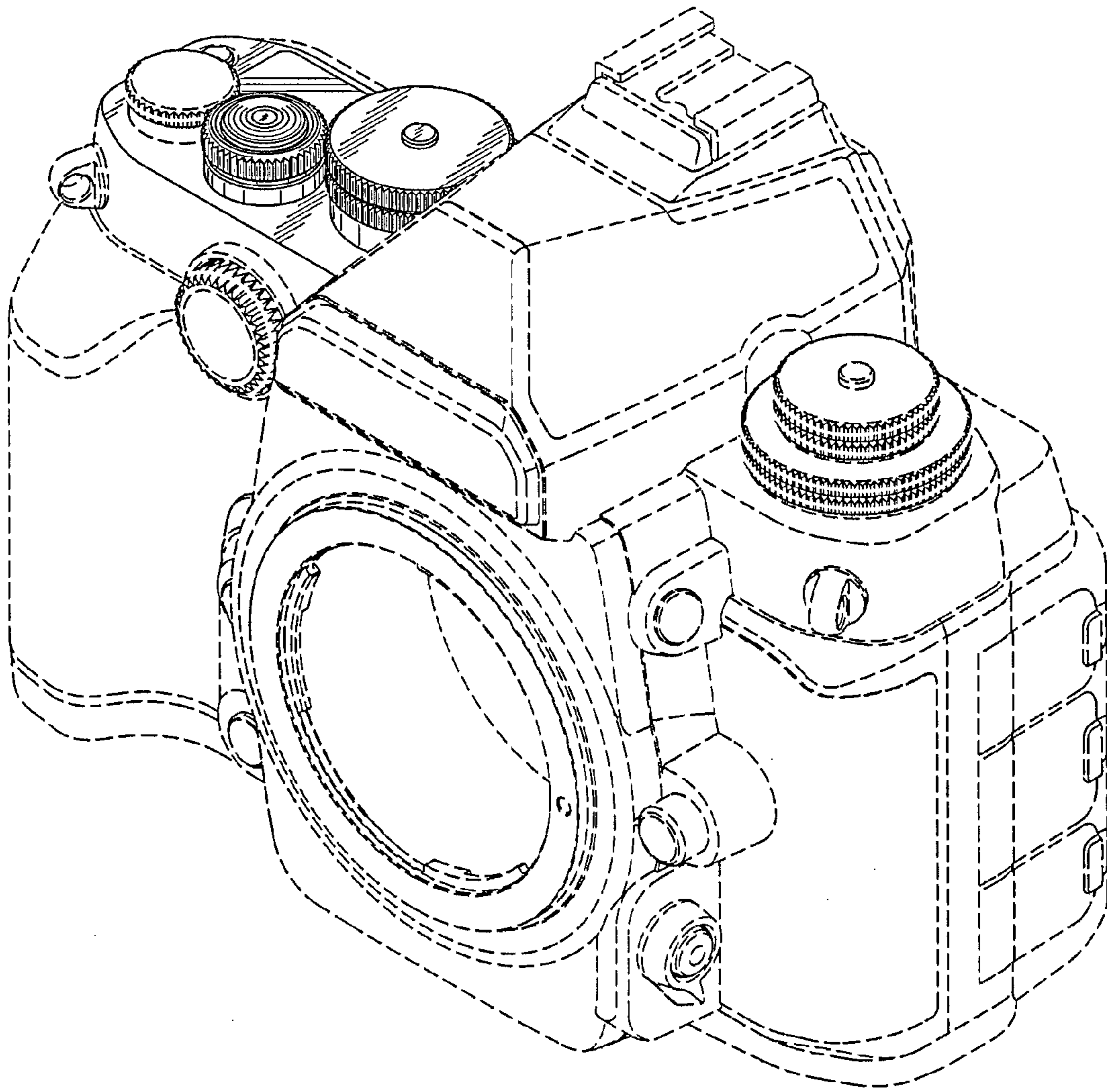


FIG. 2

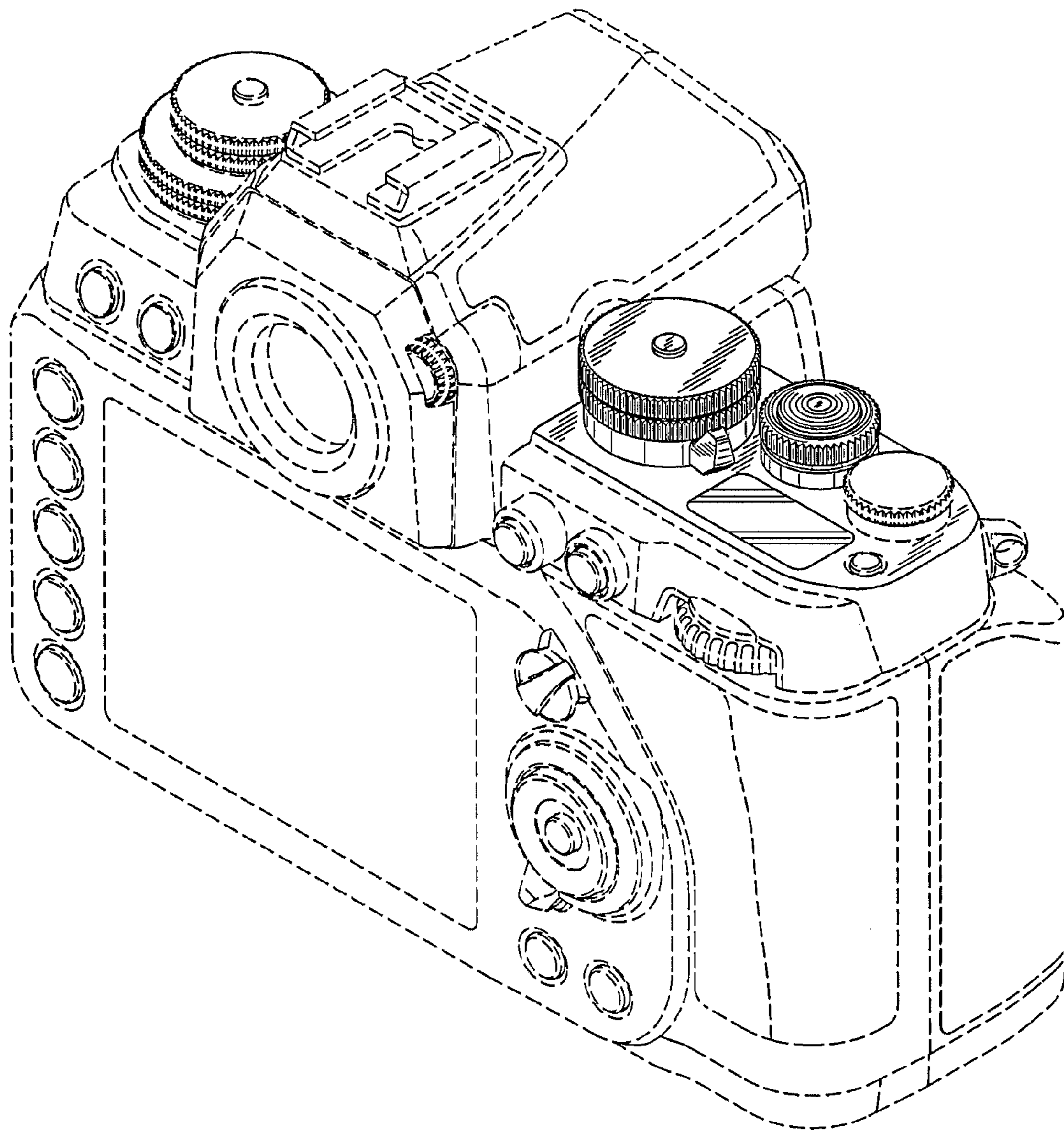


FIG. 3

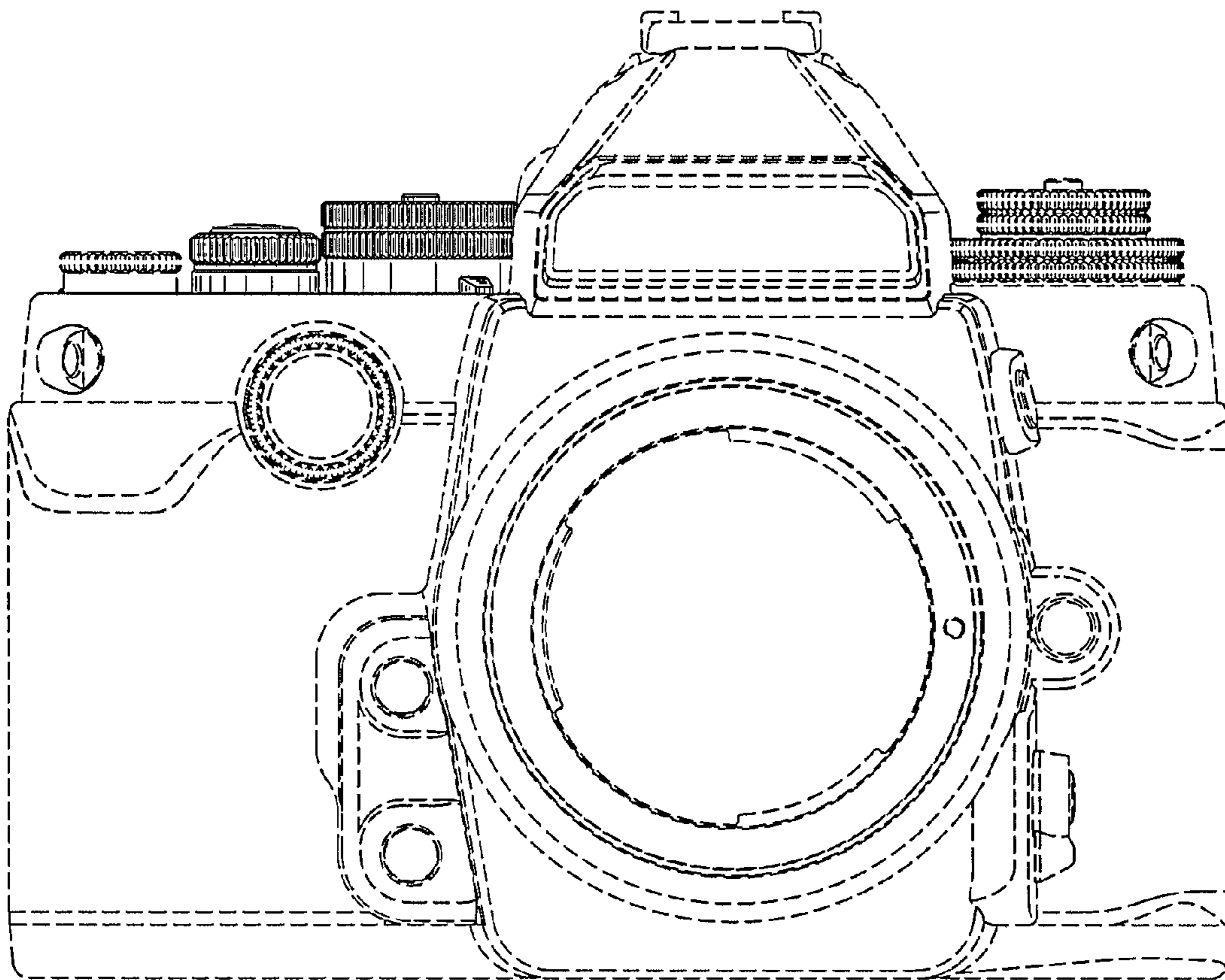


FIG. 4

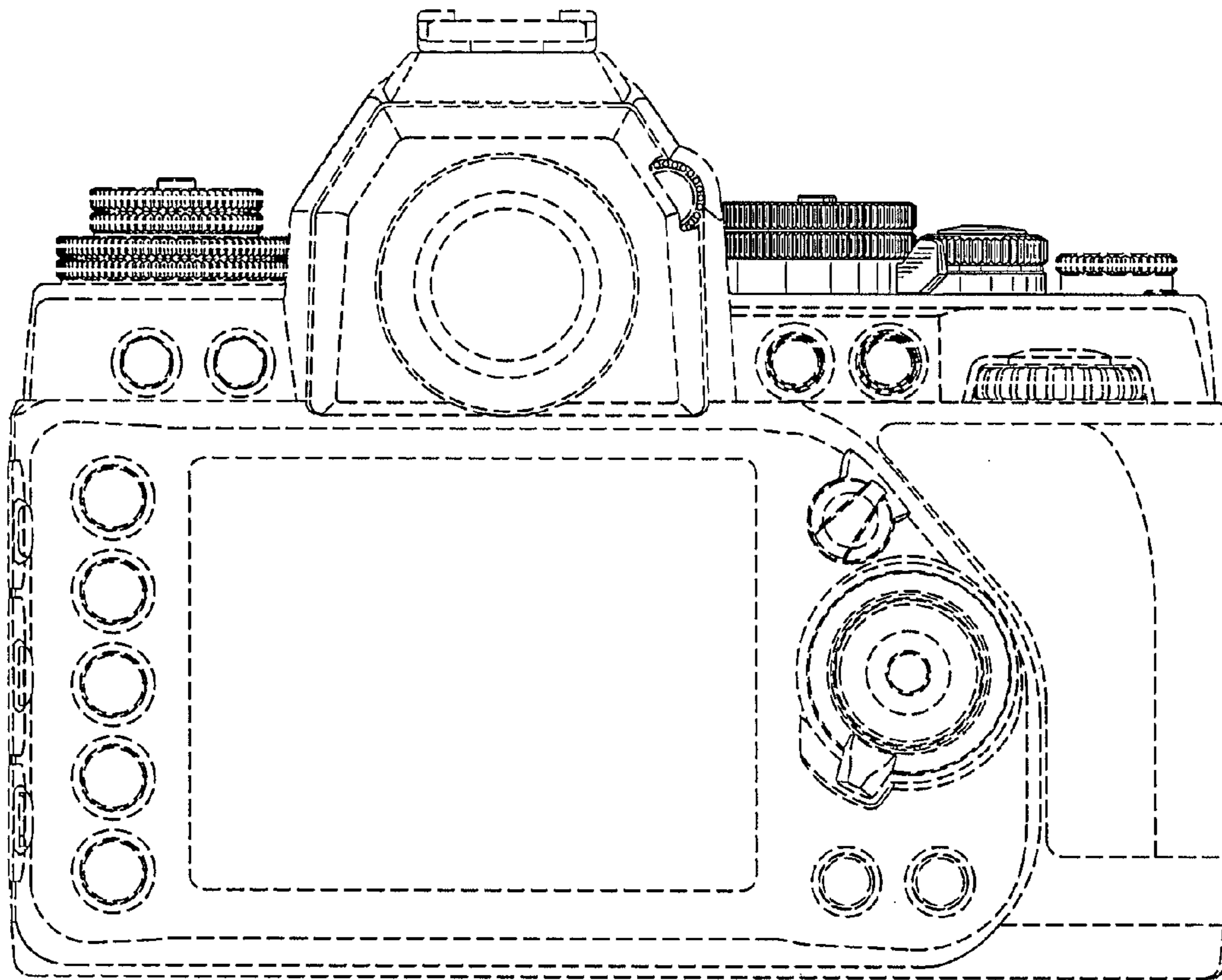


FIG. 5

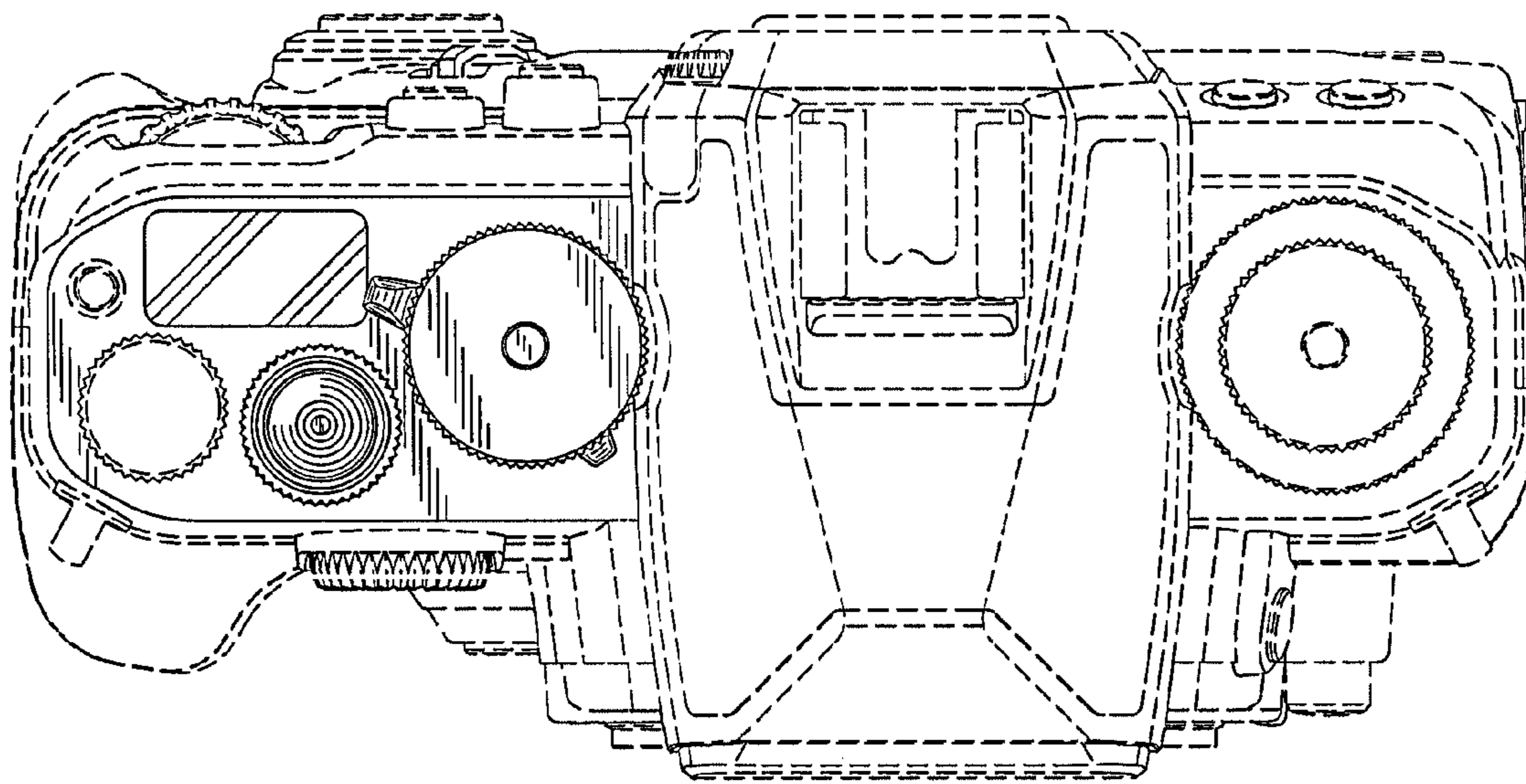


FIG. 6

