



US00D736297S

(12) **United States Design Patent**
Kawasaki et al.

(10) **Patent No.:** **US D736,297 S**

(45) **Date of Patent:** **** Aug. 11, 2015**

(54) **CAMERA MODULE**

(71) Applicant: **Shikino High-Tech Co., LTD.**, Toyama (JP)

(72) Inventors: **Kazuaki Kawasaki**, Osaka (JP); **Hisashi Kasai**, Osaka (JP)

(73) Assignee: **Shikino High-Tech Co., LTD.**, Uozu-Shi, Tayoma (JP)

(**) Term: **14 Years**

(21) Appl. No.: **29/462,174**

(22) Filed: **Jul. 31, 2013**

(51) **LOC (10) Cl.** **16-01**

(52) **U.S. Cl.**

USPC **D16/218; D16/200**

(58) **Field of Classification Search**

USPC D16/200-204, 208, 217-219; 348/143, 348/148, 151, 207.99, 373-376; 396/419, 396/427, 428, 537-541

CPC G03B 15/03; G03B 17/02; G03B 17/04; G03B 17/48; G03B 17/56; G03B 19/04; G08G 1/0175; H04N 5/2251; H04N 5/2252; H04N 5/2253; H04N 5/2254; H04N 2101/00

See application file for complete search history.

(56) **References Cited**

U.S. PATENT DOCUMENTS

D489,388 S 5/2004 Saito et al. D16/218
D496,062 S 9/2004 Yamakami et al. D16/218

D496,382 S 9/2004 Yamakami et al. D16/218
D510,376 S 10/2005 Yamakami D16/218
D511,182 S 11/2005 Kato D16/218
D515,610 S 2/2006 Yamakami D16/218
D564,562 S 3/2008 Honma et al. D16/218
D699,277 S 2/2014 Samuels et al. D16/200
D699,775 S 2/2014 Li D16/217
D699,776 S 2/2014 Li D16/217
D699,777 S 2/2014 Li D16/217
2003/0035052 A1 2/2003 Baron 348/208.99

Primary Examiner — Susan E Krakower

Assistant Examiner — Ramzi Almatrahi

(74) *Attorney, Agent, or Firm* — Miller, Matthias & Hull LLP

(57) **CLAIM**

The ornamental design for a camera module, as shown and described.

DESCRIPTION

FIG. 1 is a front view of a camera module showing our new design;

FIG. 2 is a rear view thereof;

FIG. 3 is a left side view thereof;

FIG. 4 is a right side view thereof;

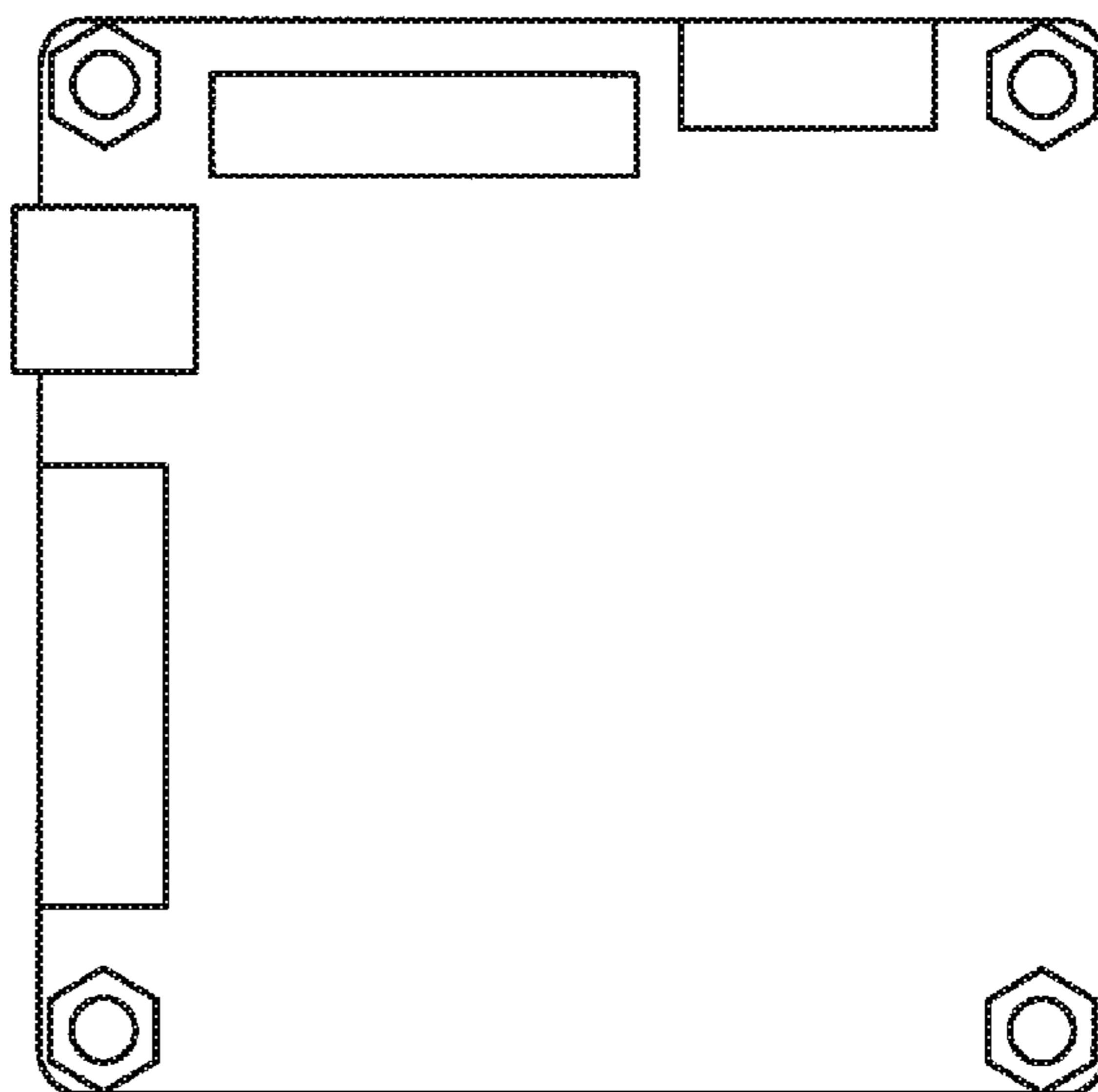
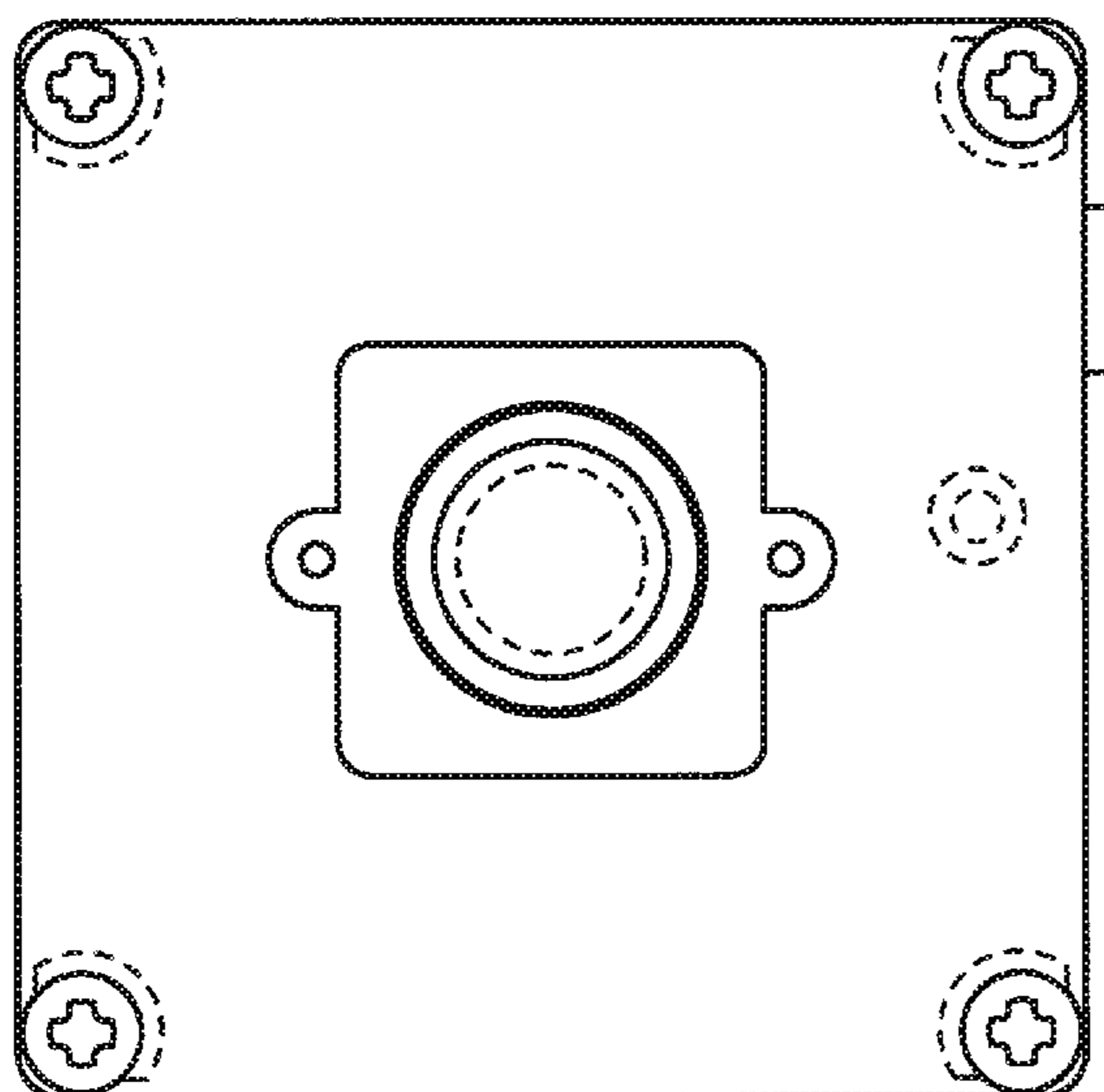
FIG. 5 is a top view thereof;

FIG. 6 is a bottom view thereof; and,

FIG. 7 is a cross-sectional view taken along the line 7-7 of FIG. 5, with the portions in hatching showing a cross-section of the claimed design.

The broken lines depict portions of the camera module in which the design is embodied and form no part of the claimed design.

1 Claim, 4 Drawing Sheets



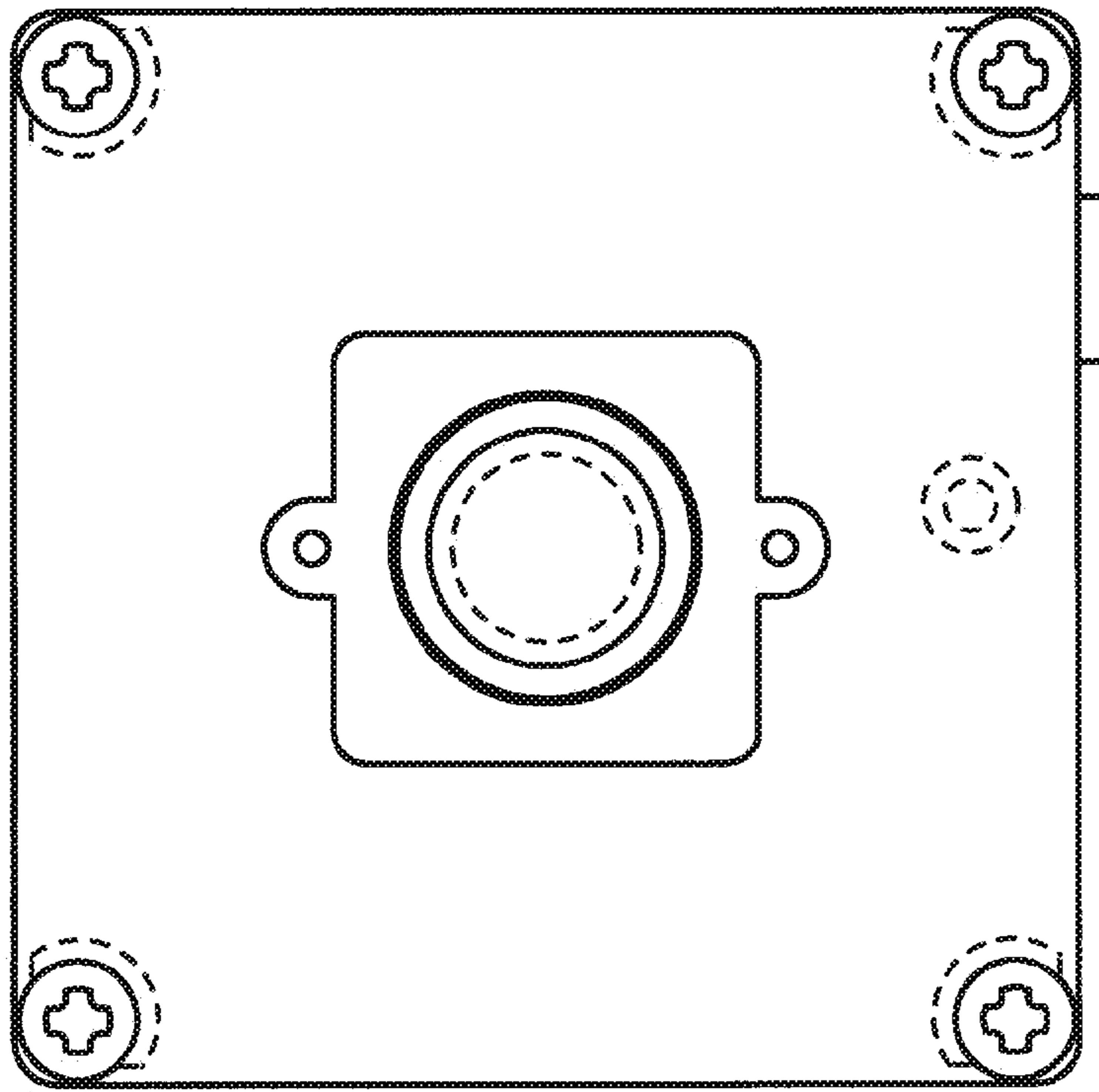


FIG. 1

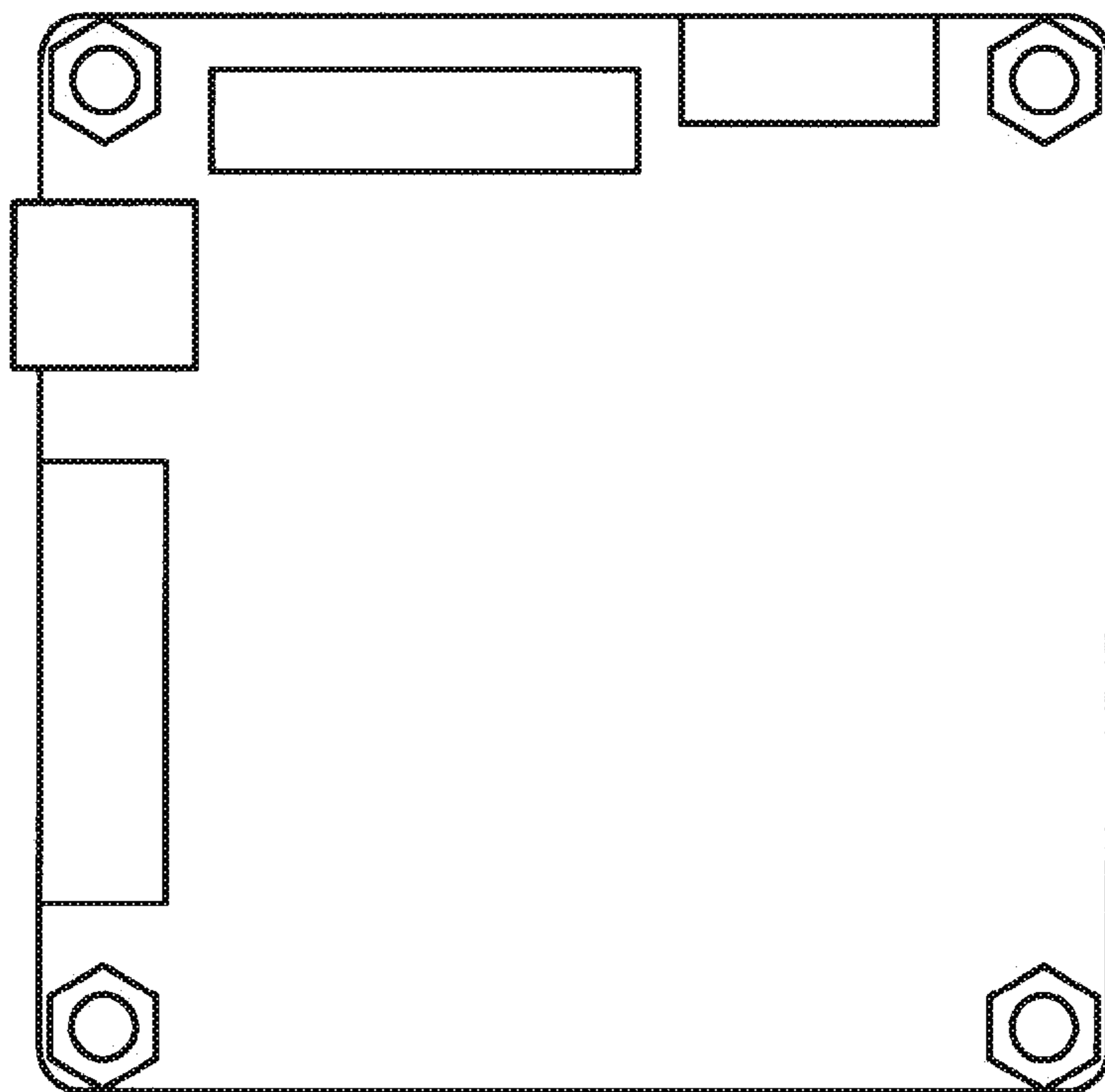


FIG. 2

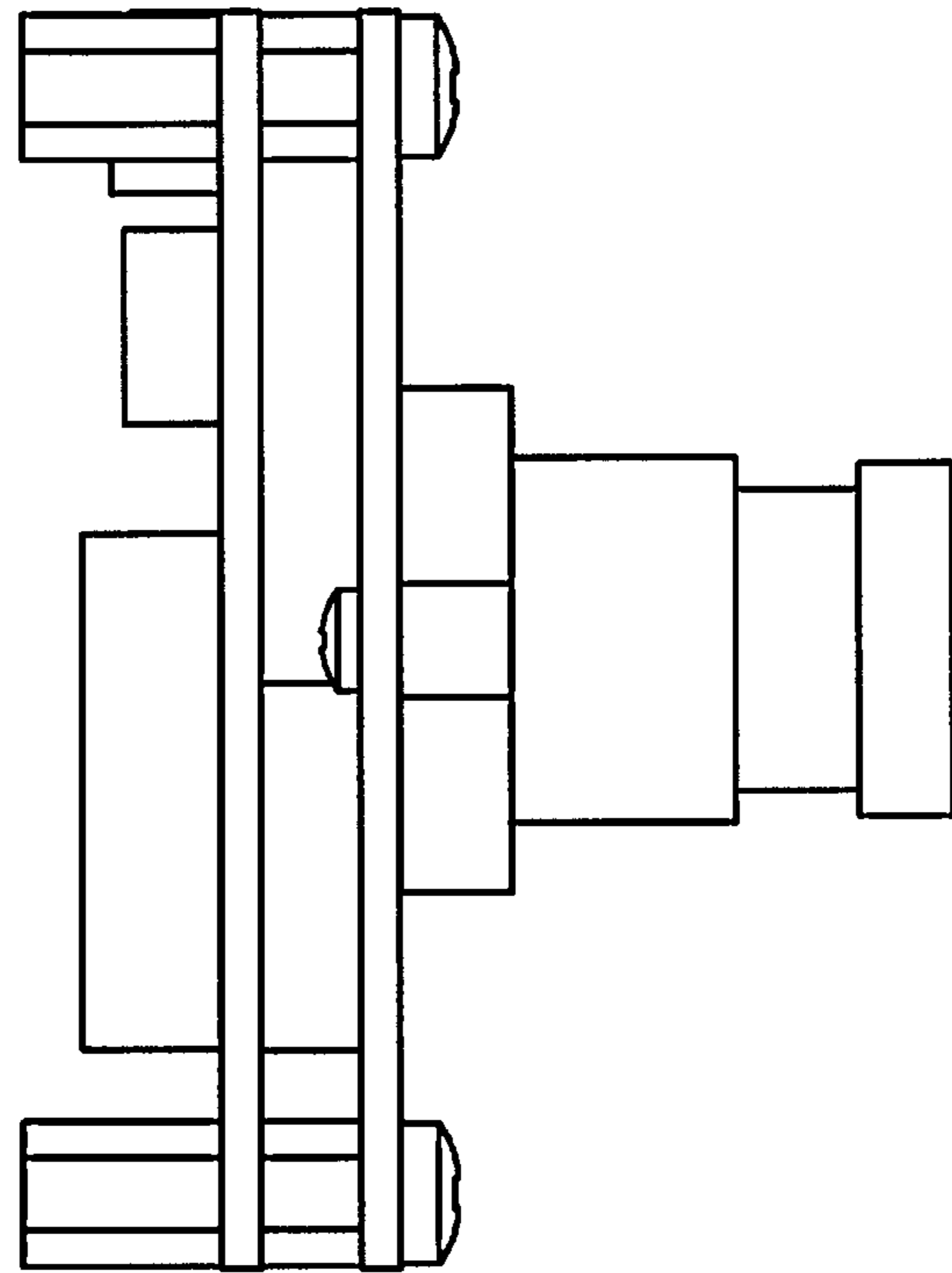


FIG. 3

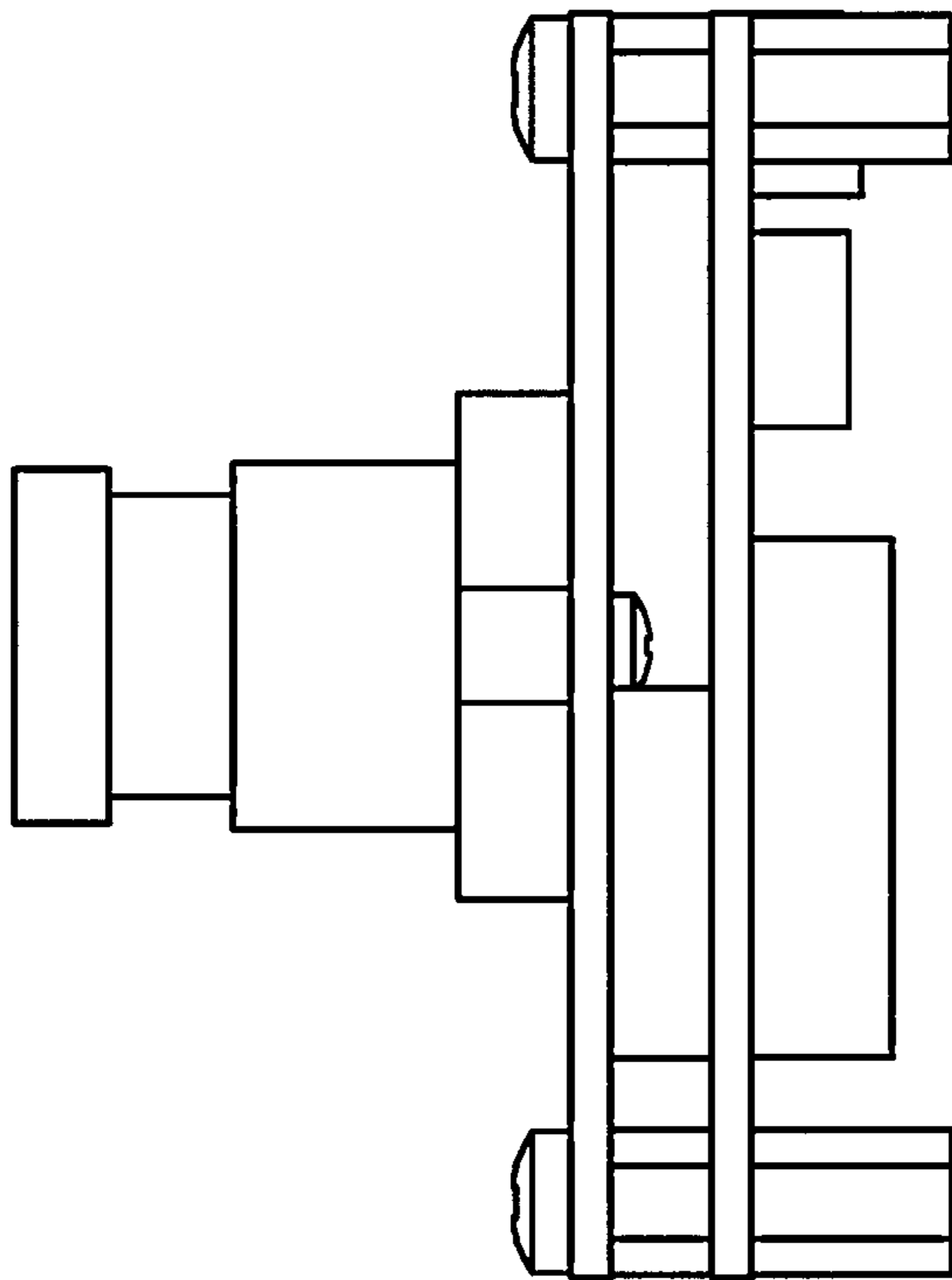


FIG. 4

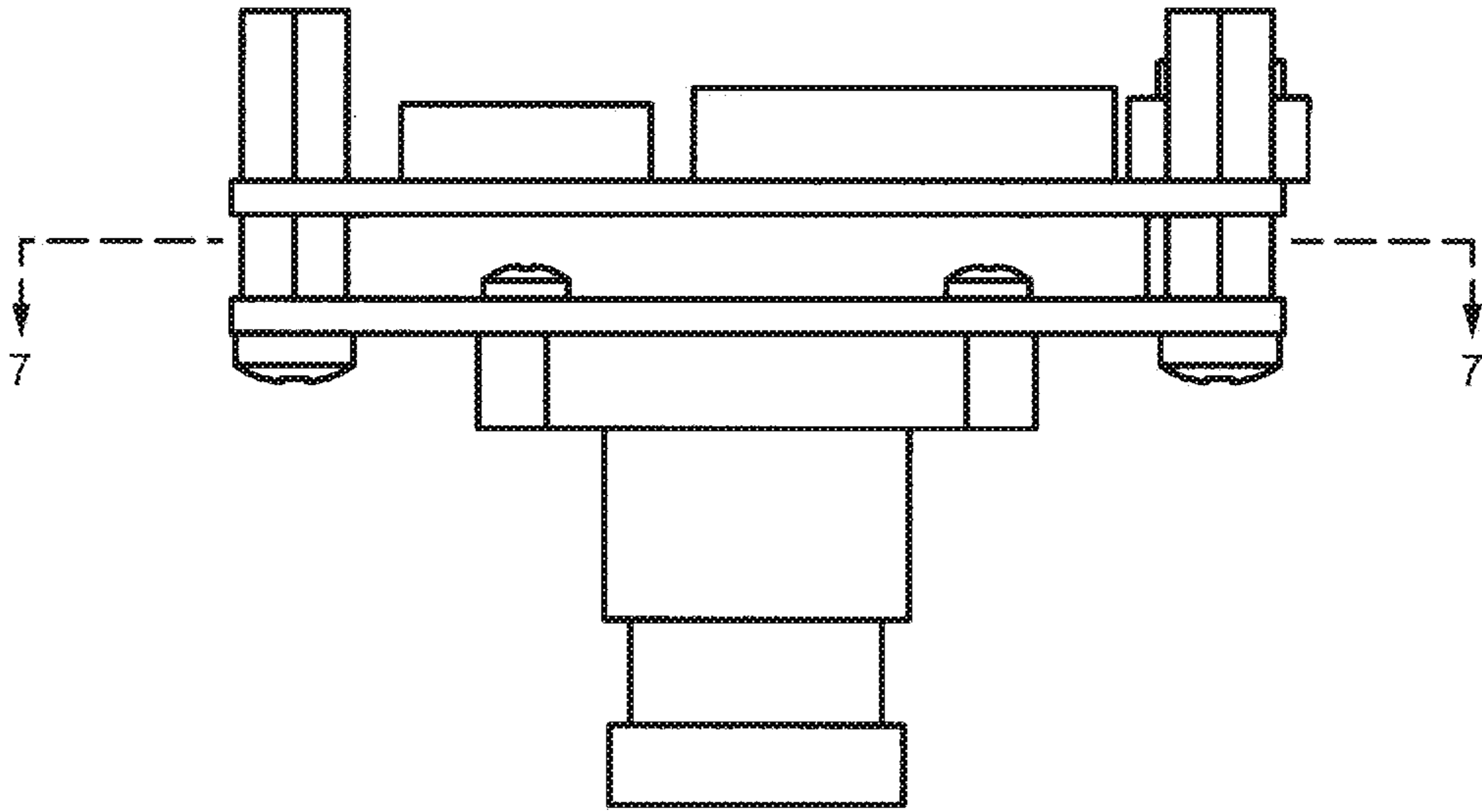


FIG. 5

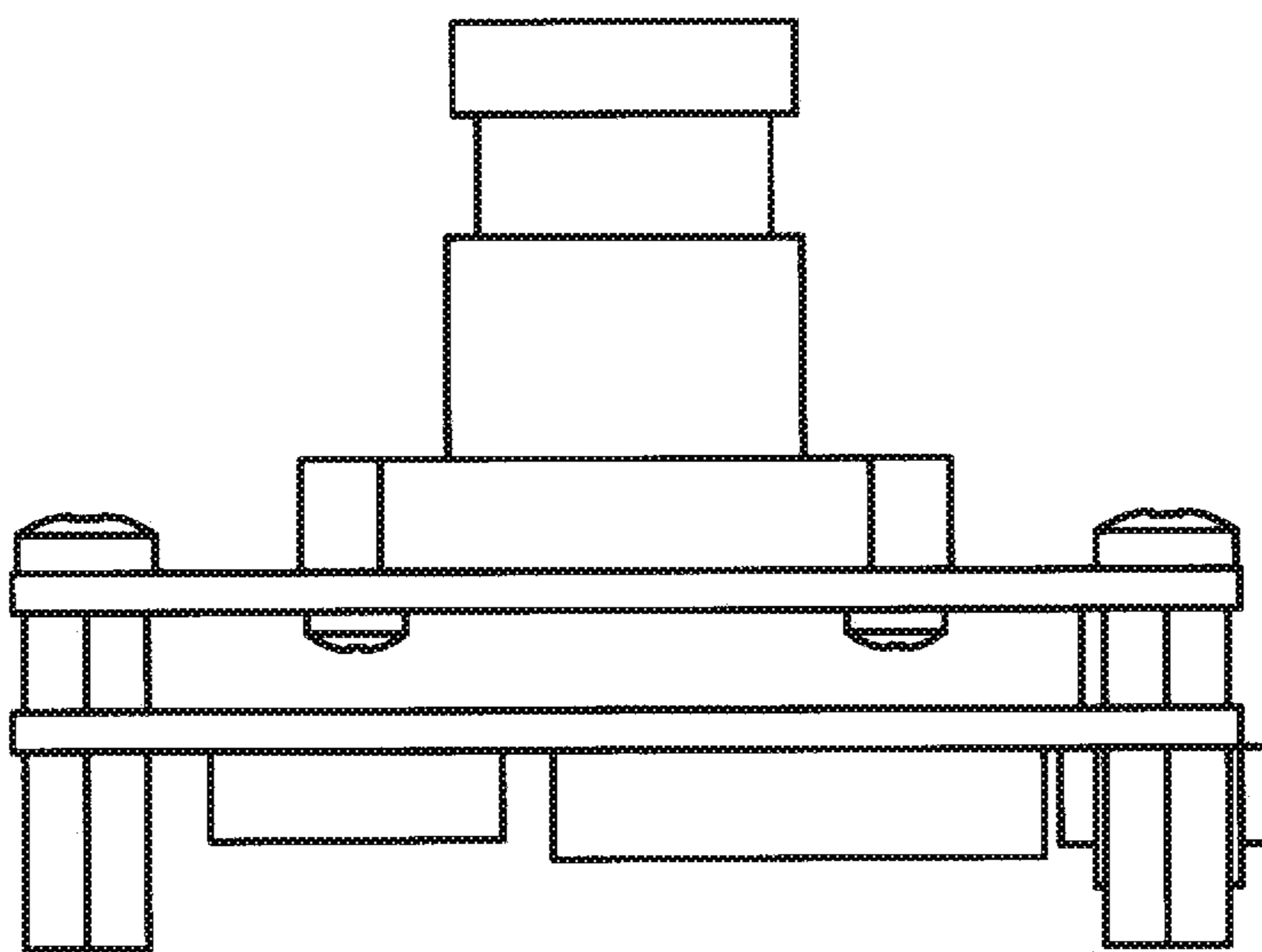


FIG. 6

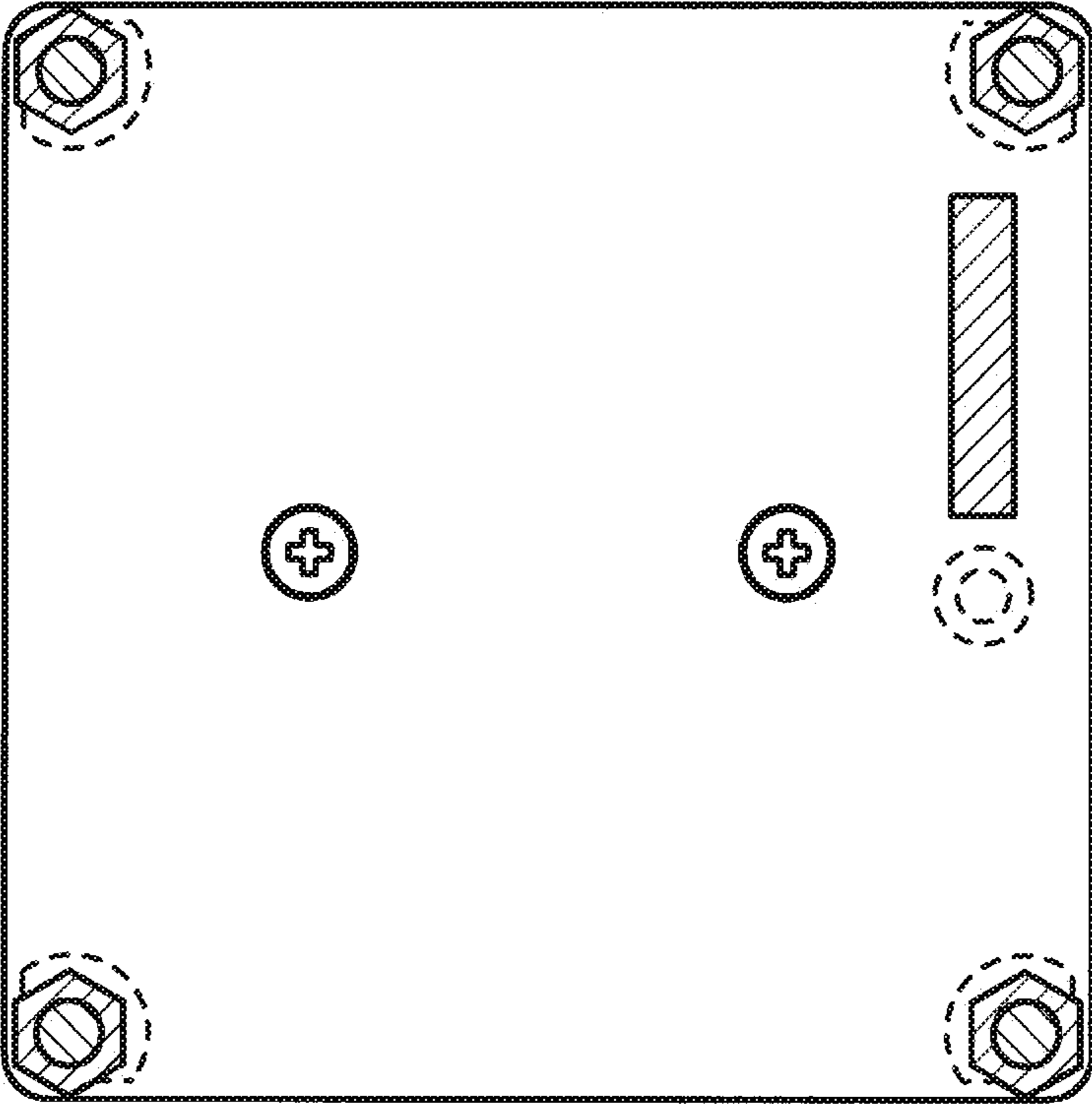


FIG.7