



US00D736296S

(12) **United States Design Patent**
Musec et al.

(10) **Patent No.:** **US D736,296 S**

(45) **Date of Patent:** **** Aug. 11, 2015**

(54) **VIDEO CAMERA HOUSING FOR FOOTBALL HELMET**

(56) **References Cited**

U.S. PATENT DOCUMENTS

(71) Applicant: **KRANOS IP CORPORATION**,
Litchfield, IL (US)

D381,997	S	*	8/1997	Morooka	D16/202
D460,773	S	*	7/2002	Arbuckle et al.	D16/203
6,560,029	B1	*	5/2003	Dobbie et al.	359/631
6,819,354	B1		11/2004	Foster et al.		
D554,168	S	*	10/2007	Shi et al.	D16/202
7,369,174	B2	*	5/2008	Olita et al.	348/373
8,342,758	B2	*	1/2013	Braithwaite	396/420
D700,746	S	*	3/2014	Capozzi et al.	D29/103
D700,962	S	*	3/2014	Lavoie	D24/110.2
D702,831	S	*	4/2014	Lavoie	D24/110.2
D704,327	S	*	5/2014	Lavoie	D24/110.2
D721,753	S	*	1/2015	Park et al.	D16/202
2002/0030163	A1	*	3/2002	Zhang	250/330
2005/0035925	A1	*	2/2005	Ostromeck et al.	345/8

(72) Inventors: **Jeff J. Musec**, Edwardsville, IL (US);
Leonard E. Van Houtin, Salem, IL
(US); **Louis A. Van Houtin**, Iuka, IL
(US)

(73) Assignee: **KRANOS IP CORPORATION**,
Litchfield, IL (US)

(**) Term: **14 Years**

* cited by examiner

(21) Appl. No.: **29/486,898**

Primary Examiner — Susan E Krakower

(22) Filed: **Apr. 3, 2014**

Assistant Examiner — Ramzi Almatrahi

(51) **LOC (10) Cl.** **16-01**

(74) *Attorney, Agent, or Firm* — Notaro, Michalos &
Zaccaria P.C.

(52) **U.S. Cl.**
USPC **D16/208**; D16/218

(57) **CLAIM**

The ornamental design for a video camera housing for a football helmet, as shown and described.

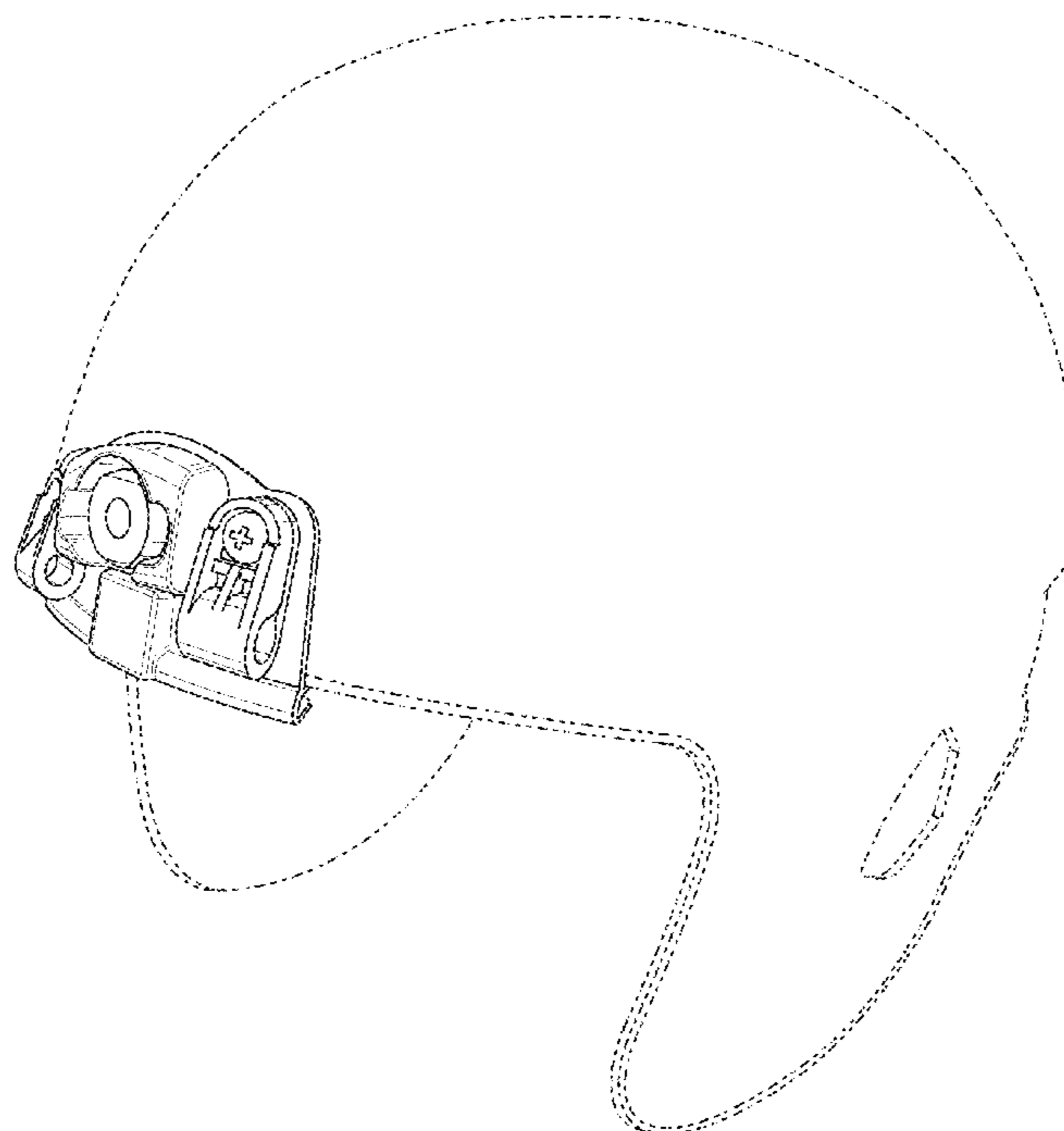
(58) **Field of Classification Search**
USPC D16/200–208, 210, 218, 219, 242;
D29/103; 250/330; 348/143, 148, 151,
348/157, 373–376; 359/631; 396/419, 420,
396/427, 535–541
CPC G03B 15/03; G03B 17/02; G03B 17/04;
G03B 17/56; G03B 19/04; H04N 5/2251;
H04N 5/2252; H04N 5/2253; H04N 5/2254;
H04N 2101/00

DESCRIPTION

FIG. 1 is a front, top and left perspective view of a video camera housing for football helmet showing our new design; FIG. 2 is a front elevational view thereof; FIG. 3 is a right side elevational view thereof; FIG. 4 is a top plan view thereof; and, FIG. 5 is a bottom plan view thereof. The broken lines in the drawings show environmental structure and form no part of the claimed design.

See application file for complete search history.

1 Claim, 5 Drawing Sheets



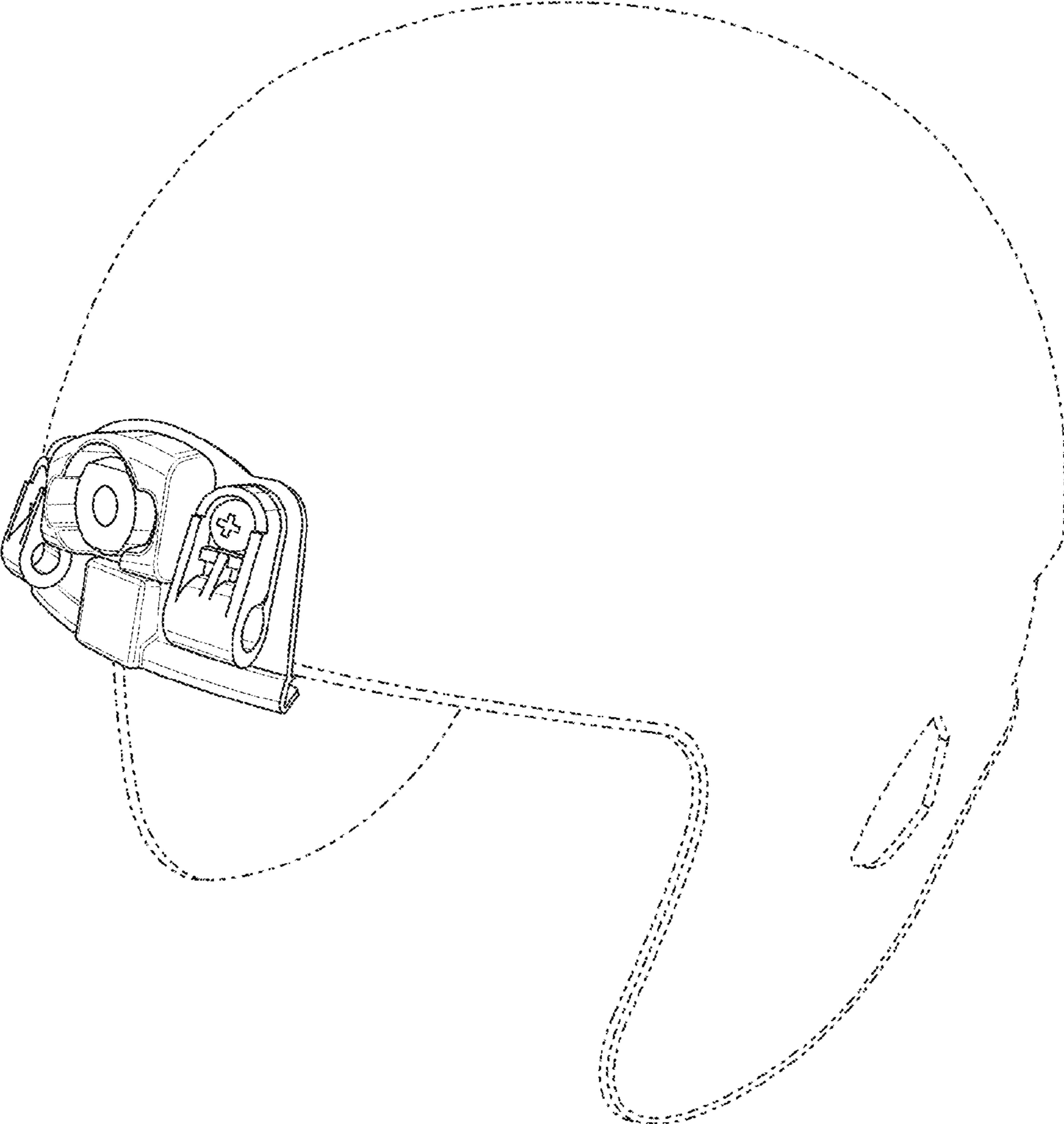


FIG. 1

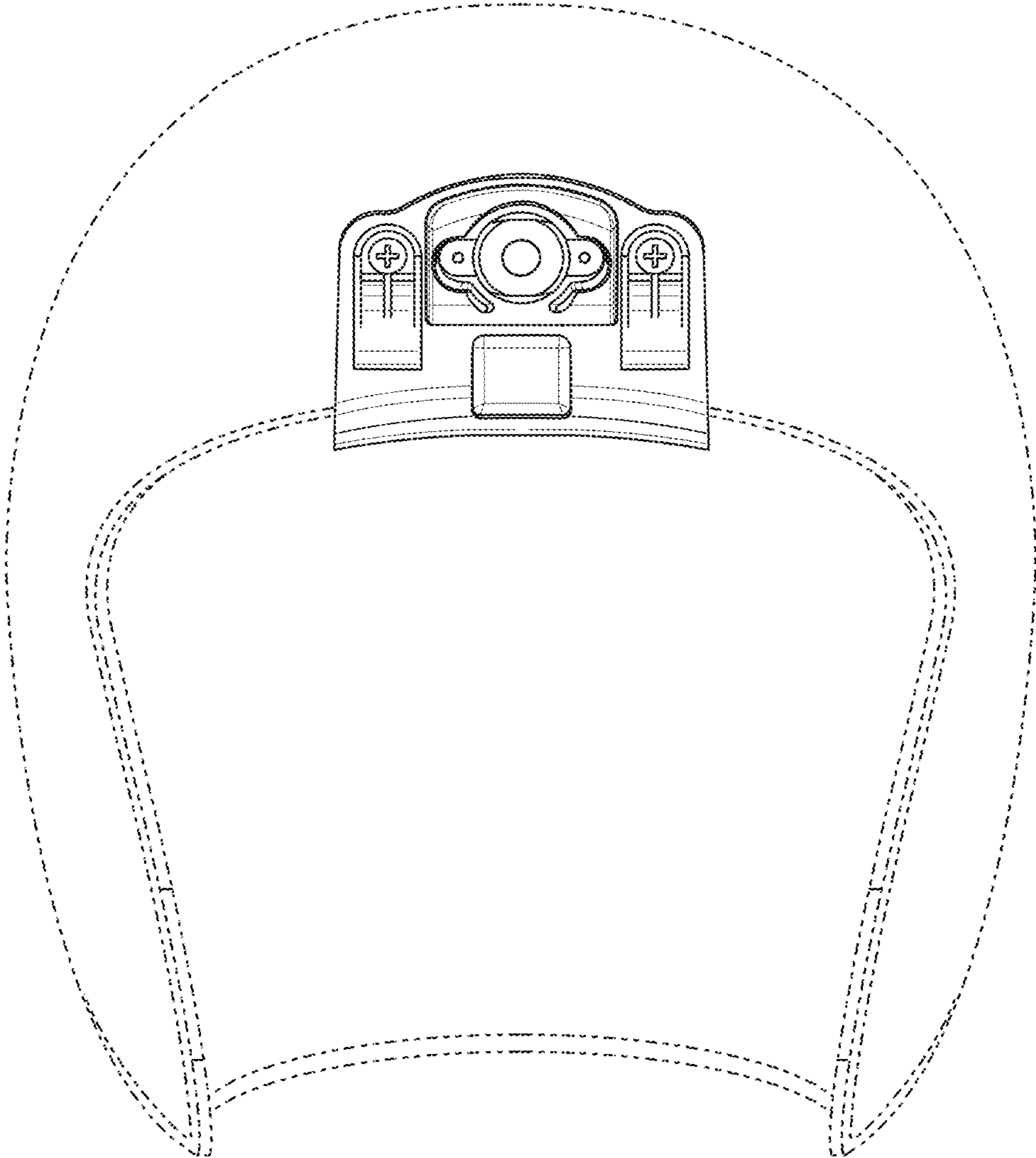


FIG. 2

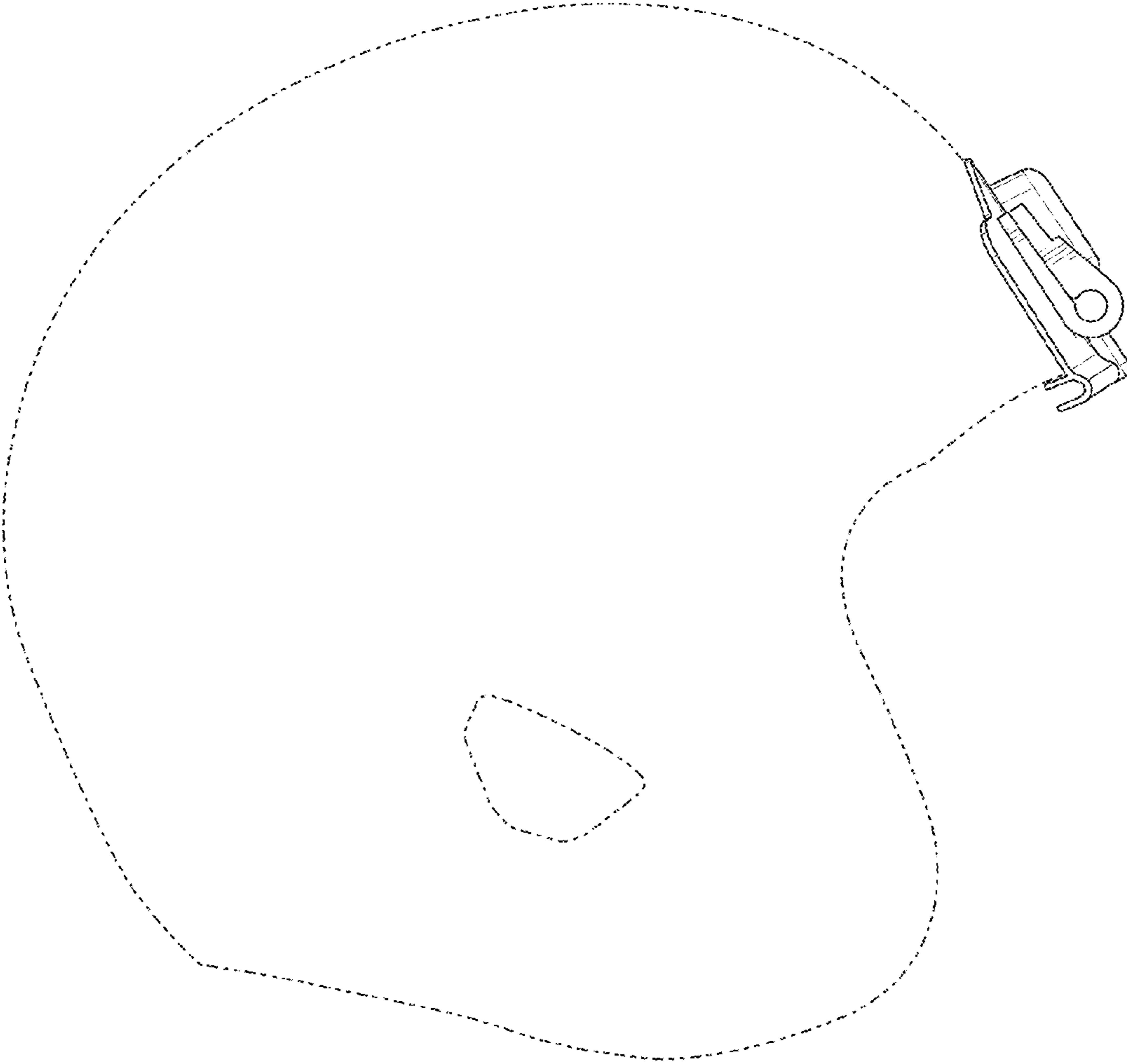


FIG. 3

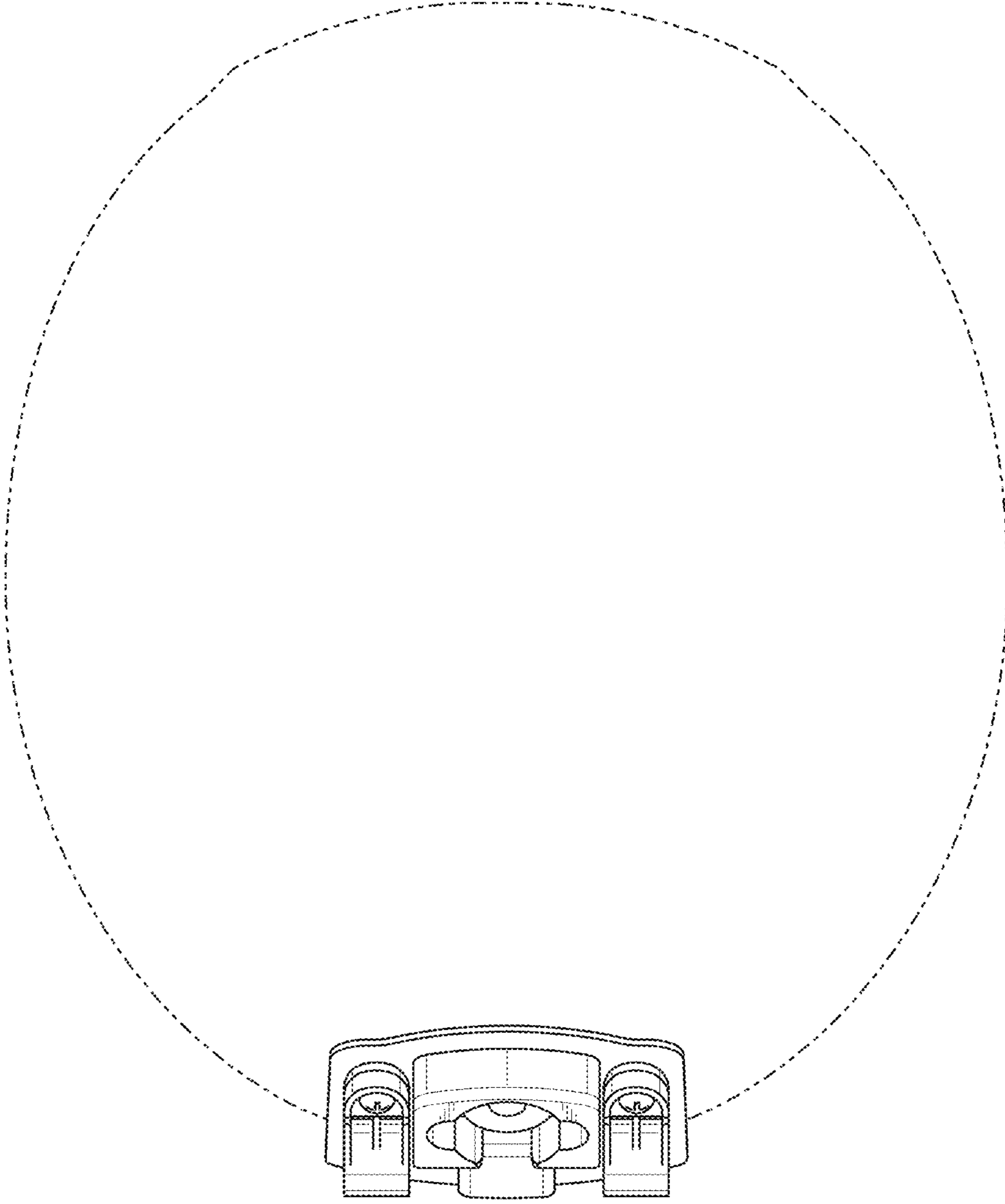


FIG. 4

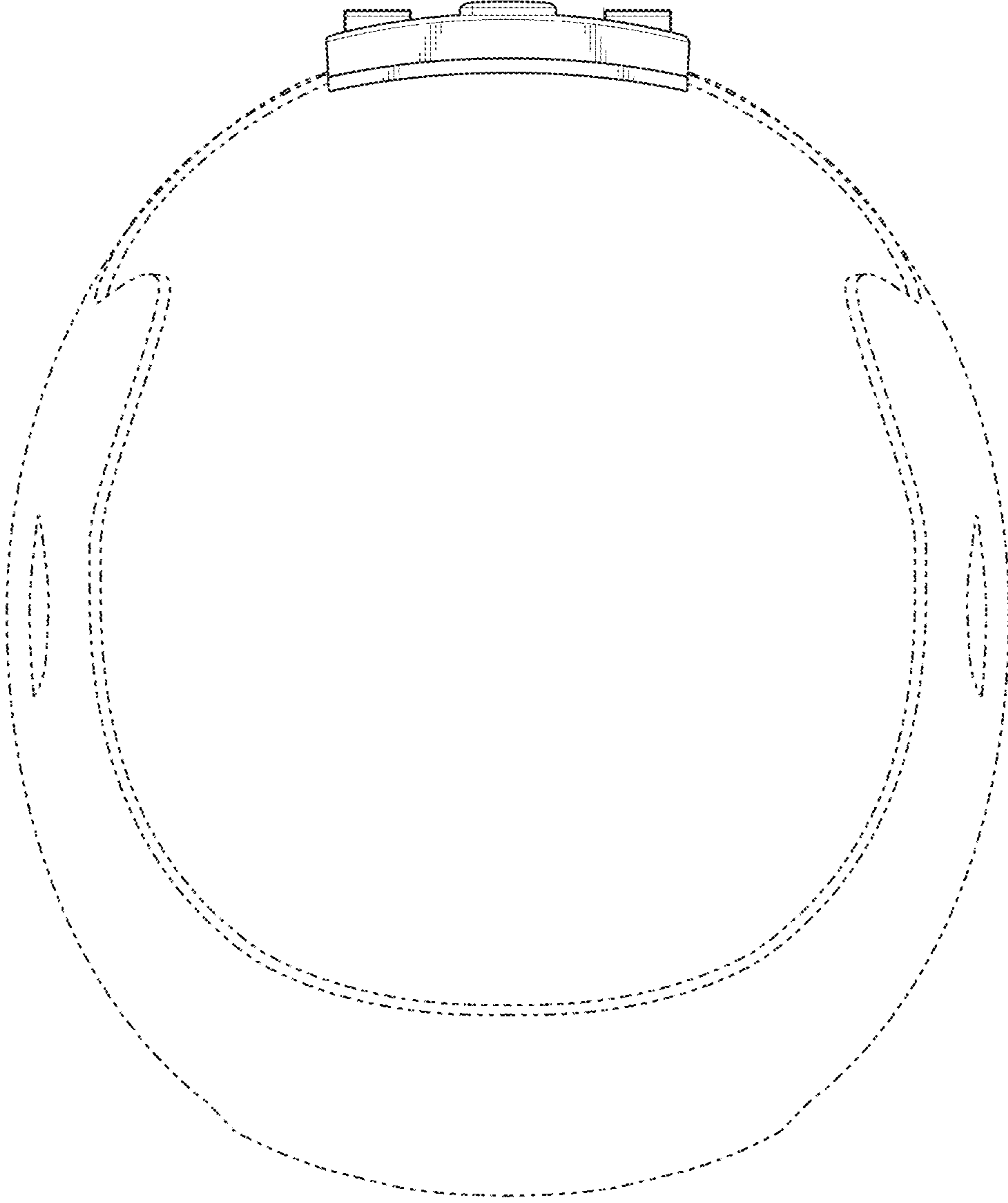


FIG. 5