



US00D736295S

(12) **United States Design Patent**
Katori et al.

(10) **Patent No.:** **US D736,295 S**
(45) **Date of Patent:** **** Aug. 11, 2015**

(54) **SURVEILLANCE CAMERA**

(71) Applicant: **Panasonic Corporation**, Osaka (JP)

(72) Inventors: **Takehito Katori**, Kyoto (JP); **Takashi Tsukahara**, Osaka (JP)

(73) Assignee: **Panasonic Intellectual Property Management Co., Ltd.**, Osaka (JP)

(**) Term: **14 Years**

(21) Appl. No.: **29/501,932**

(22) Filed: **Sep. 10, 2014**

(30) **Foreign Application Priority Data**

Mar. 31, 2014 (JP) 2014-006963

(51) **LOC (10) Cl.** **16-01**

(52) **U.S. Cl.**
USPC **D16/203**; D16/219

(58) **Field of Classification Search**
USPC D16/200, 202–206, 218, 219, 242;
348/143, 148, 151, 373–376; 396/419,
396/427, 535, 539–541
CPC G03B 17/02; G03B 19/04; G03B 17/56;
G03B 17/04; G03B 15/03; H04N 5/2251;
H04N 5/2252; H04N 5/2253; H04N 5/2254;
H04N 7/181; H04N 7/183; H04N 7/18;
G08B 13/1963; G08B 13/19619; G08B
13/19632; F16M 11/04; F16M 13/00
See application file for complete search history.

(56) **References Cited**

U.S. PATENT DOCUMENTS

D312,649 S * 12/1990 Sakuta D16/203
D373,593 S * 9/1996 Hiroko et al. D16/203
D381,997 S * 8/1997 Morooka D16/202
D410,936 S * 6/1999 Isono D16/202
D446,801 S * 8/2001 Adachi et al. D16/203
D472,913 S * 4/2003 Rupe D16/202

6,683,654 B1 * 1/2004 Haijima 348/374
D489,744 S * 5/2004 Muto D16/203
D515,121 S * 2/2006 Bleau et al. D16/202
D522,035 S * 5/2006 Muto D16/203
D529,063 S * 9/2006 Cheng D16/203
D540,360 S 4/2007 Yamakawa
D543,224 S * 5/2007 Kato et al. D16/203
7,221,402 B2 * 5/2007 Cheng 348/375
D556,804 S 12/2007 Ishida
D565,073 S * 3/2008 Jeon D16/203
D582,460 S * 12/2008 Yoo et al. D16/203
D606,572 S * 12/2009 Samson et al. D16/203
D612,408 S 3/2010 Yamakawa
D612,410 S 3/2010 Deurwaarder
D613,784 S * 4/2010 Wang et al. D16/203
D614,222 S 4/2010 Yamakawa
D633,543 S 3/2011 Park
D666,660 S 9/2012 Amit et al.
D668,282 S * 10/2012 Ohno et al. D16/203
D694,307 S * 11/2013 Isozaki D16/219

* cited by examiner

Primary Examiner — Philip S Hyder

Assistant Examiner — Ramzi Almatrahi

(74) *Attorney, Agent, or Firm* — Panasonic Patent Center

(57) **CLAIM**

The ornamental design for a surveillance camera, as shown and described.

DESCRIPTION

FIG. 1 is a front perspective view of a surveillance camera of the present invention;

FIG. 2 is a rear perspective view thereof;

FIG. 3 is a front view thereof;

FIG. 4 is a rear view thereof;

FIG. 5 is a left side view thereof;

FIG. 6 is a right side view thereof;

FIG. 7 is a top view thereof; and,

FIG. 8 is a bottom view thereof.

The broken lines depict portions of the surveillance camera in which the design is embodied that form no part of the claimed design.

1 Claim, 8 Drawing Sheets

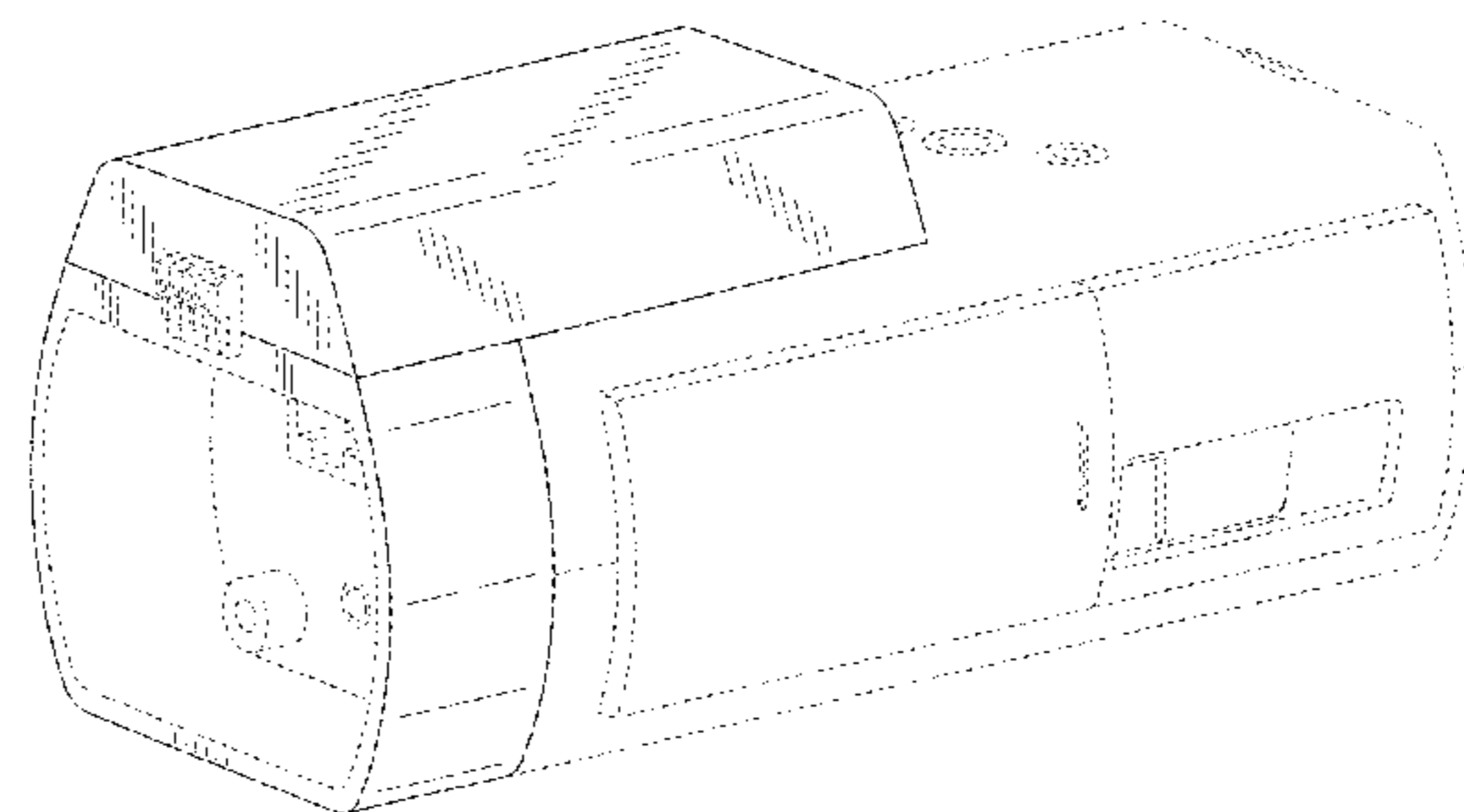
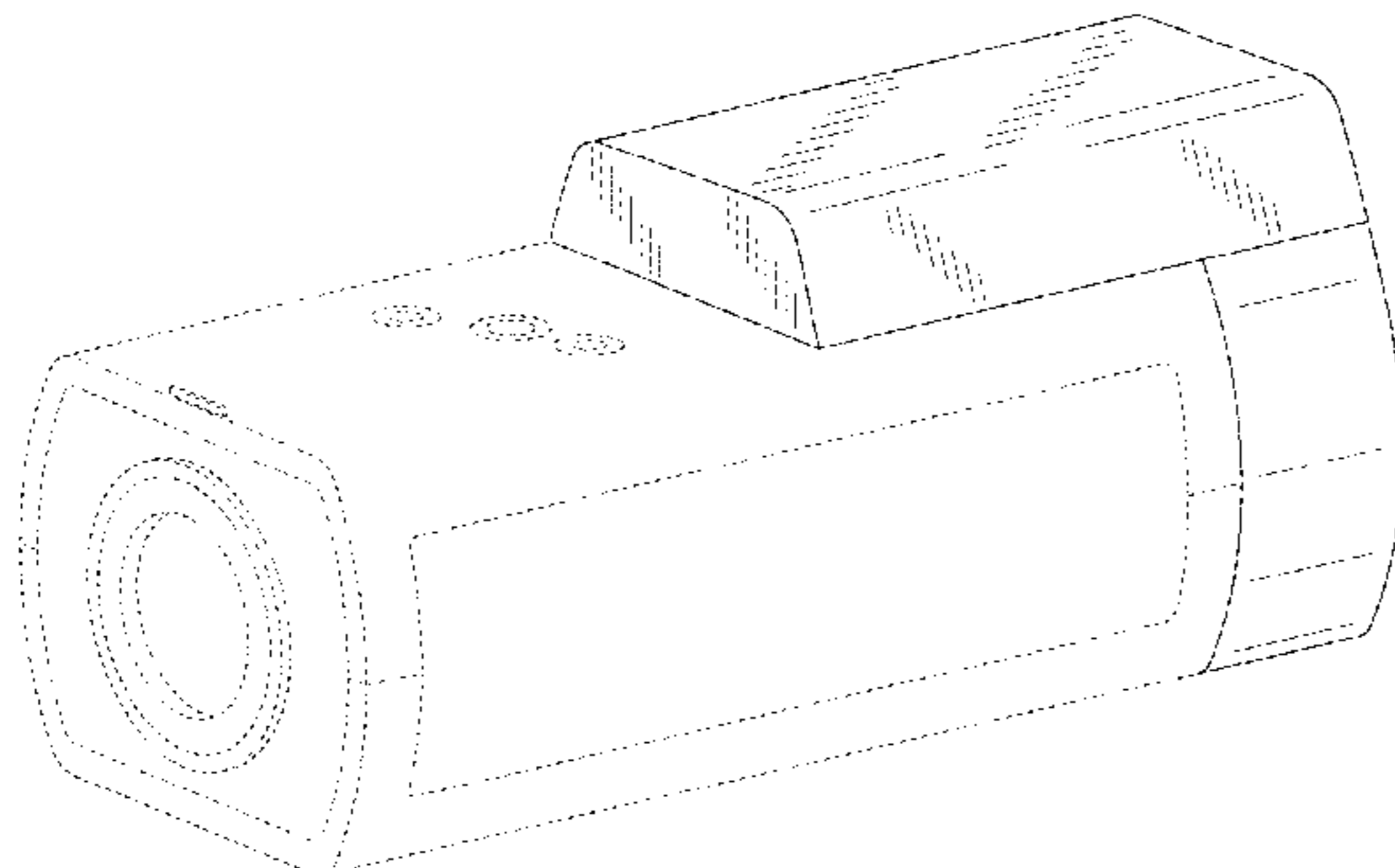


FIG. 1

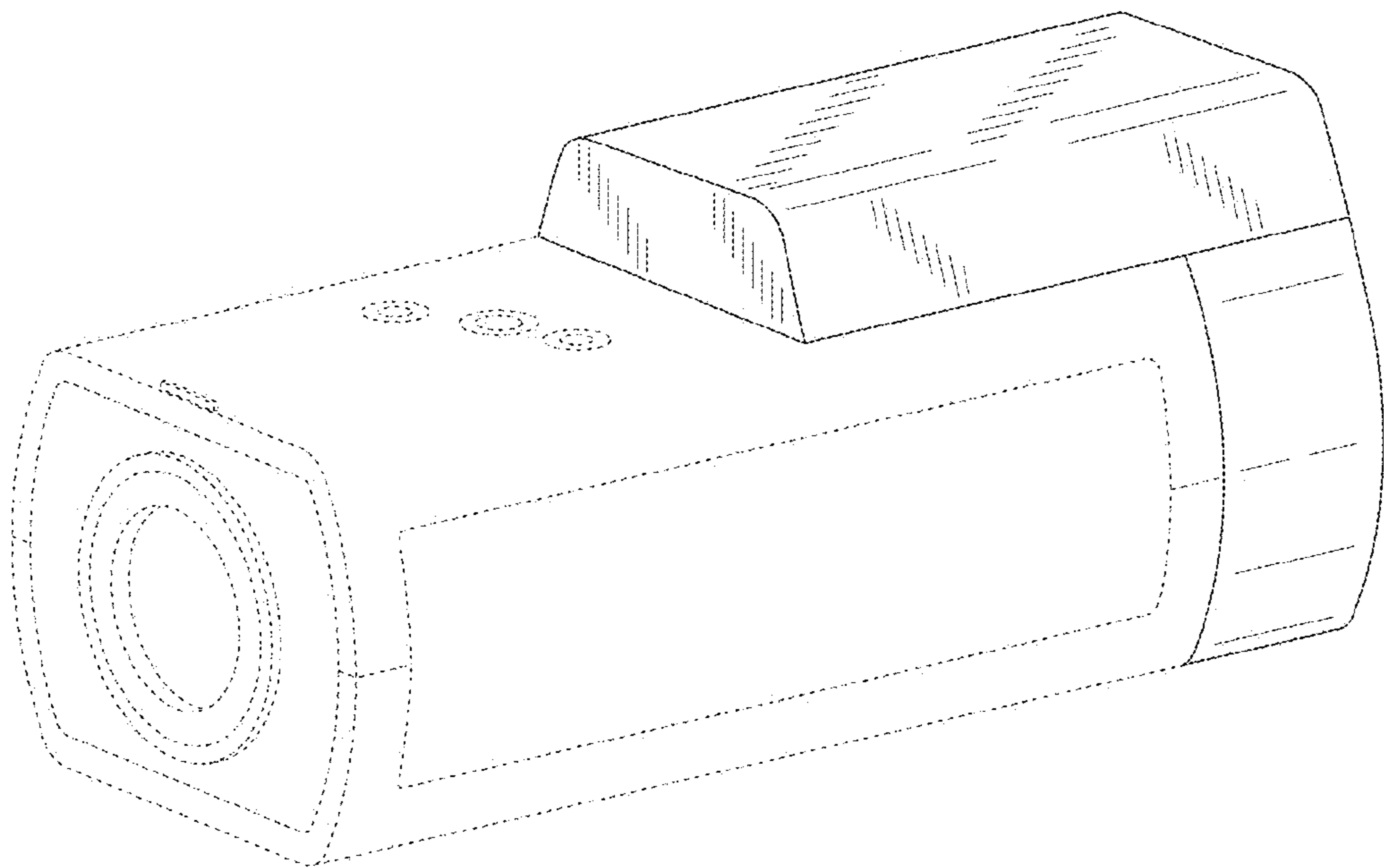


FIG. 2

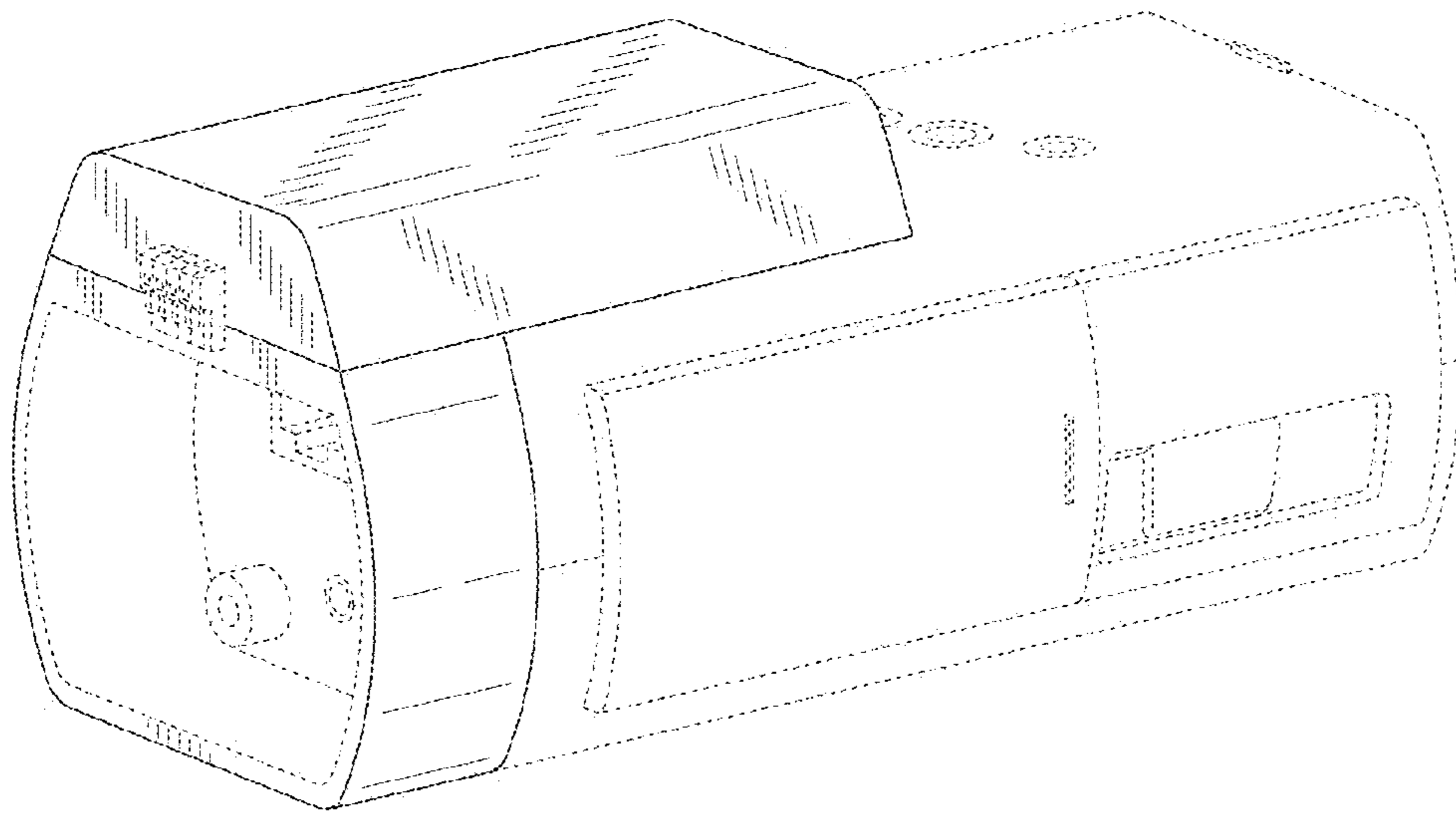


FIG. 3

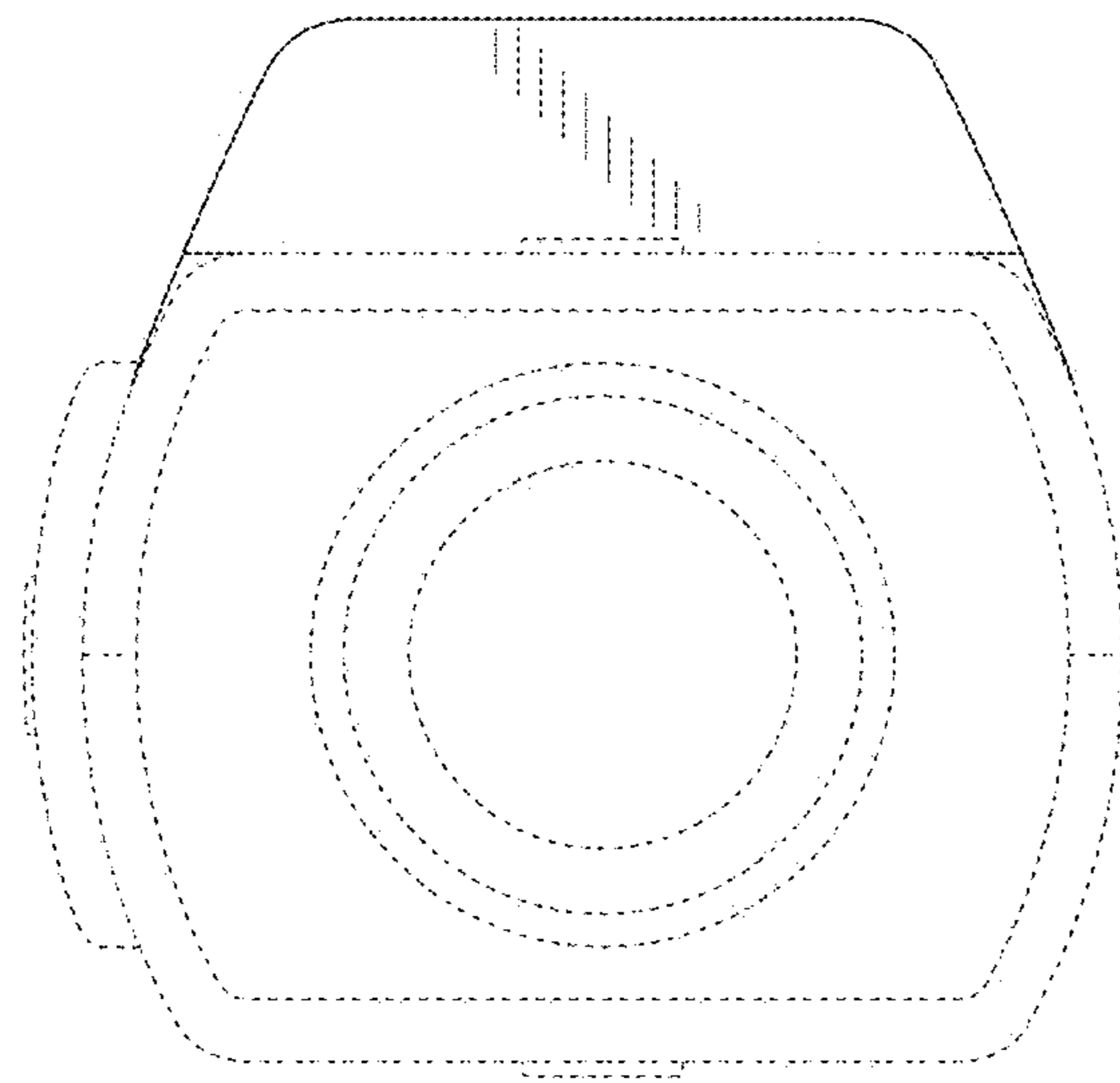


FIG. 4

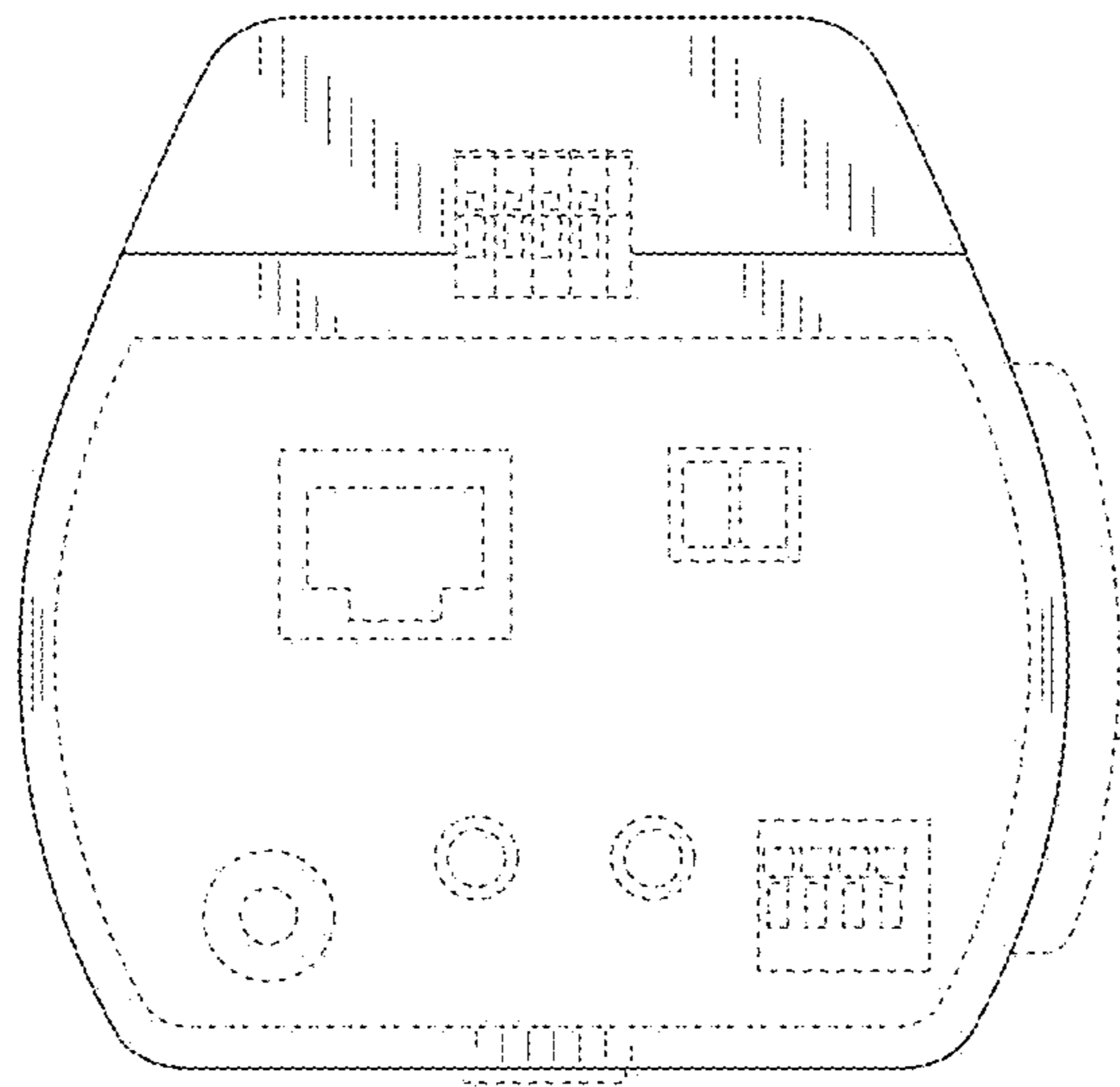


FIG. 5

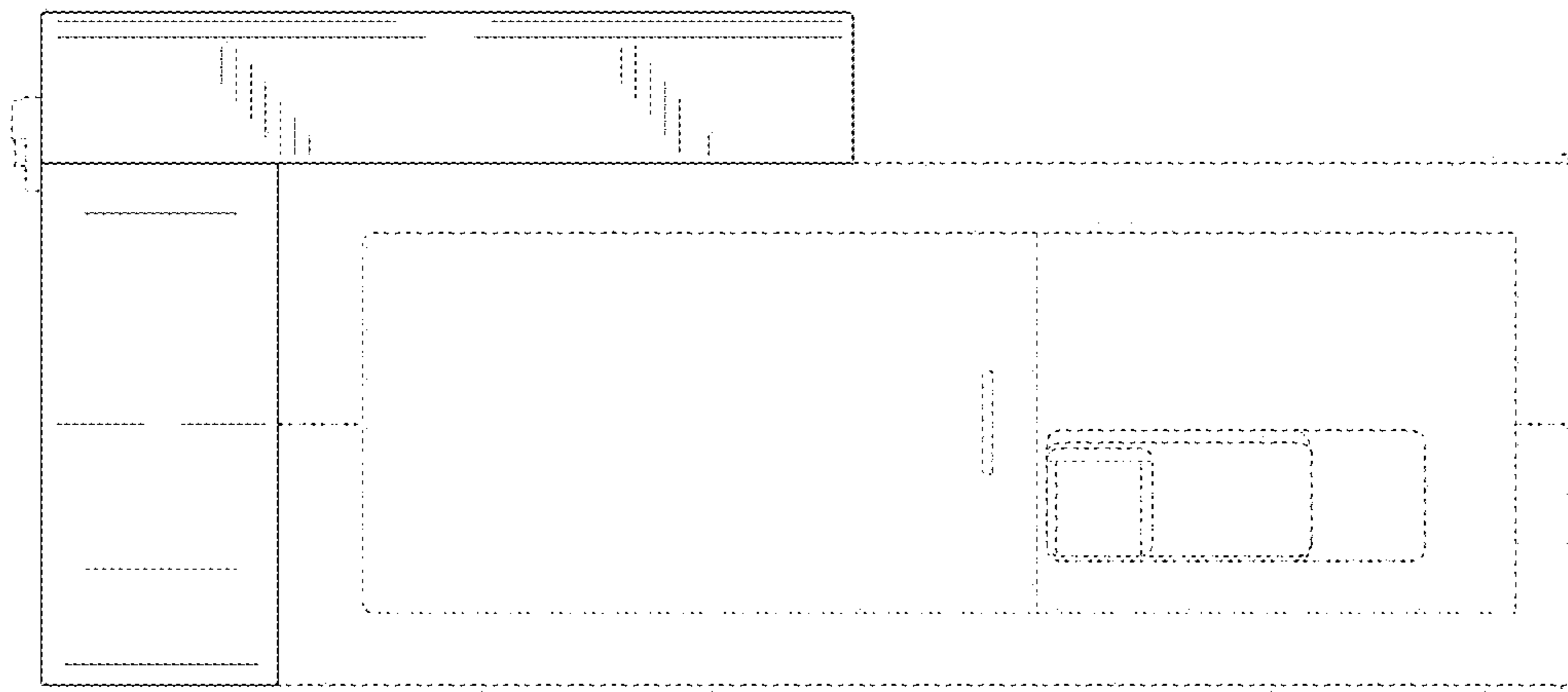


FIG. 6

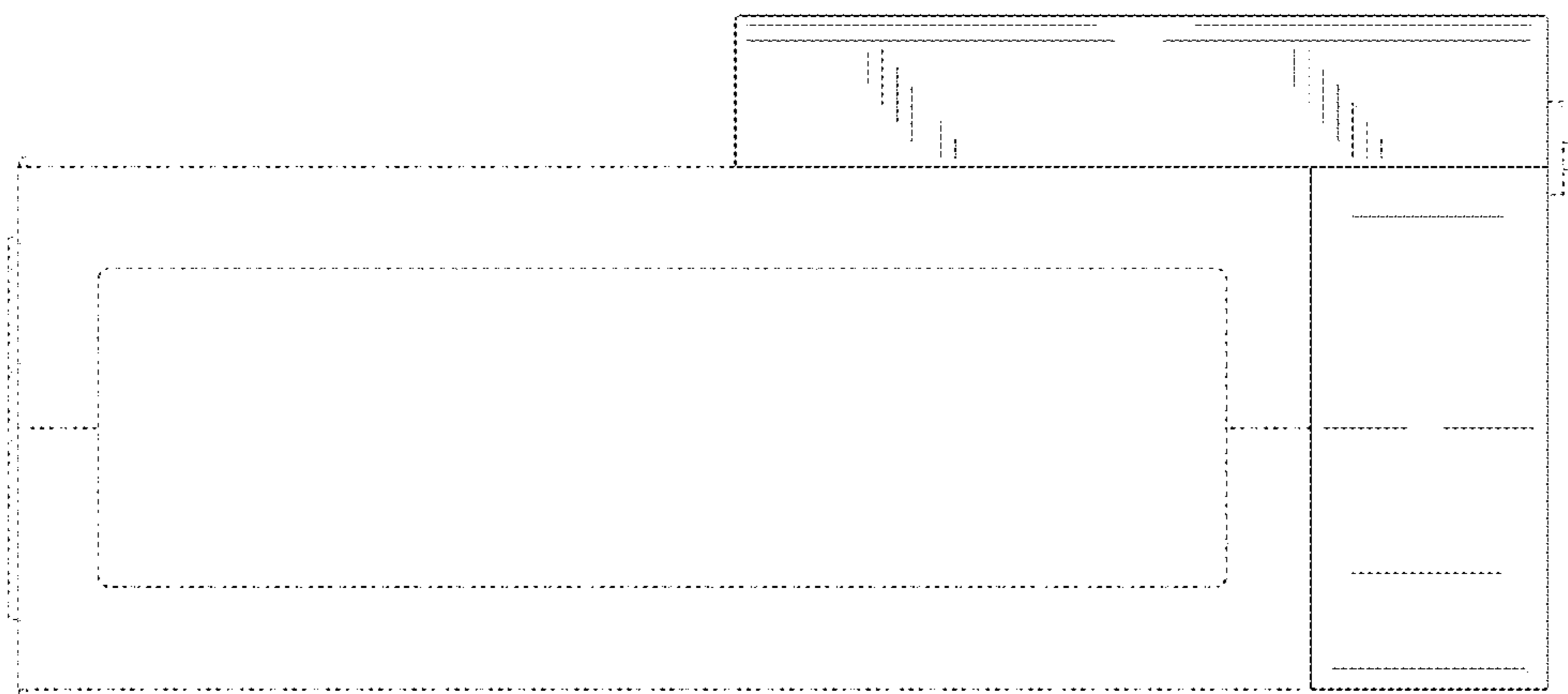


FIG. 7

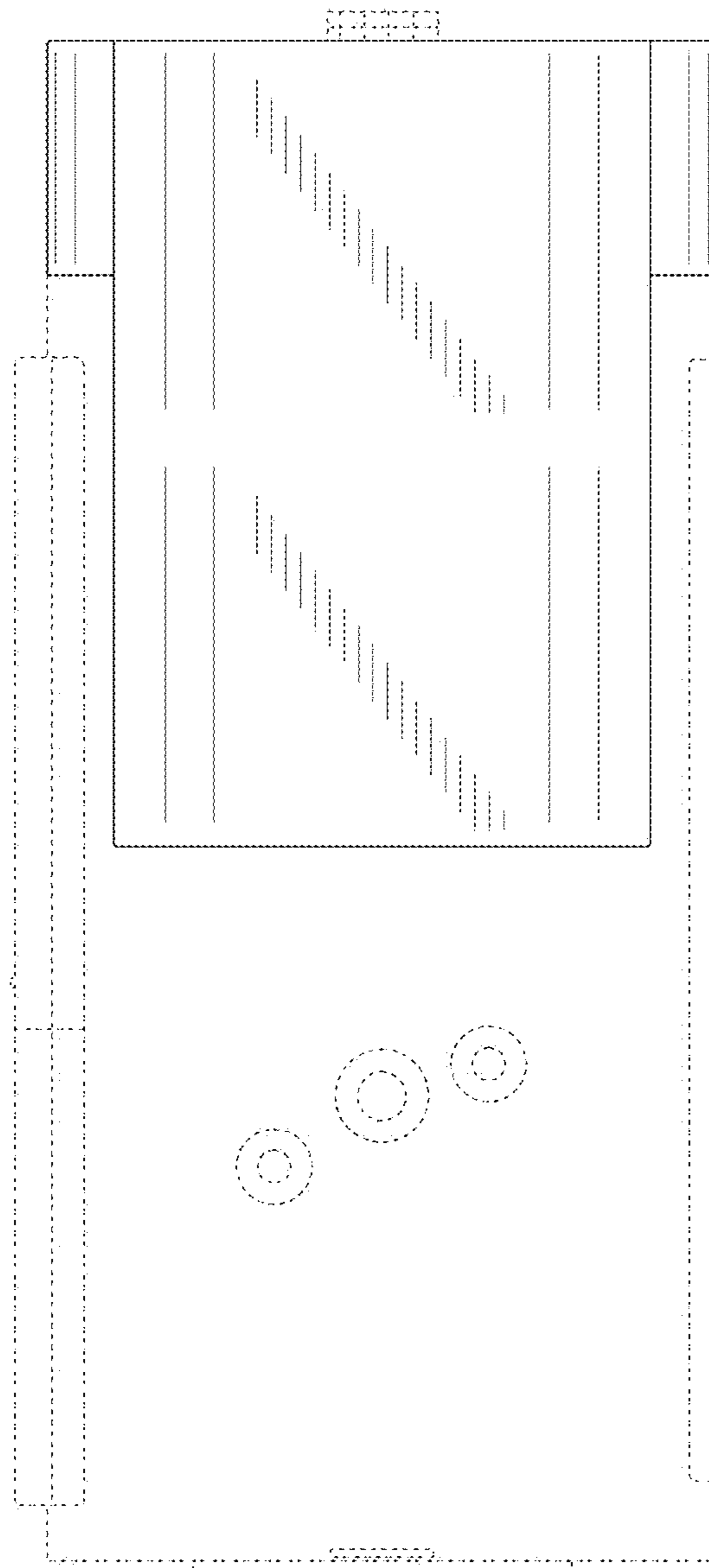


FIG. 8

