



US00D736294S

(12) **United States Design Patent**
Scalisi

(10) **Patent No.:** **US D736,294 S**

(45) **Date of Patent:** **** Aug. 11, 2015**

(54) **POWER OUTLET CAMERA**

(71) Applicant: **Joseph Frank Scalisi**, Yorba Linda, CA (US)

(72) Inventor: **Joseph Frank Scalisi**, Yorba Linda, CA (US)

(73) Assignee: **SkyBell Technologies, Inc.**, Irvine, CA (US)

(**) Term: **14 Years**

(21) Appl. No.: **29/497,747**

(22) Filed: **Jul. 28, 2014**

(51) **LOC (10) Cl.** **16-01**

(52) **U.S. Cl.**
USPC **D16/203**

(58) **Field of Classification Search**
USPC D16/200, 202–206, 218, 219, 242;
D10/106.2, 106.3, 106.5, 118.1;
348/143, 148, 151, 373–376; 396/419,
396/427, 535, 539–541
CPC G03B 17/02; G03B 19/04; G03B 17/56;
G03B 17/04; G03B 15/03; H04N 5/2251;
H04N 5/2252; H04N 5/2253; H04N 5/2254;
H04N 7/181; H04N 7/183; H04N 7/18;
G08B 13/1963; G08B 13/19619; G08B
13/19632

See application file for complete search history.

(56) **References Cited**

U.S. PATENT DOCUMENTS

D297,222 S *	8/1988	Rauch	D10/106.5
D442,617 S *	5/2001	Ohmori et al.	D16/204
D645,071 S *	9/2011	Hinkel	D16/203
D657,410 S *	4/2012	Helaoui et al.	D16/203
D664,178 S *	7/2012	Hinkel	D16/203
D679,309 S *	4/2013	Park et al.	D16/218
D689,536 S *	9/2013	Li et al.	D16/218

D694,306 S *	11/2013	Katori et al.	D16/203
8,780,201 B1	7/2014	Scalisi et al.		
D711,275 S *	8/2014	Scalisi	D10/118.1
D719,994 S *	12/2014	Wang et al.	D16/203
D721,755 S *	1/2015	Åhman et al.	D16/203
D729,859 S *	5/2015	Shin et al.	D16/203
2013/0045763 A1 *	2/2013	Ruiz	455/466

OTHER PUBLICATIONS

AC Adapter Spy Camera—Downloaded on Jun. 24, 2014 from <http://www.ahdcameras.com/1080p-ac-adapter-spy-camera-power-supply-hidden-camera-with-remote.html>.

Light Bulb 1—Downloaded on Jul. 8, 2014 from http://www.ec.gc.ca/mercure-mercury/2486B388-8A91-4796-B86D-4F0DA76884EA/compact_fluorescent.jpg.

Light Bulb 2—Downloaded on Jul. 8, 2014 from https://grabcad.com/library/bulb_11w-e27.

* cited by examiner

Primary Examiner — Adir Aronovich
Assistant Examiner — Ramzi Almatrahi

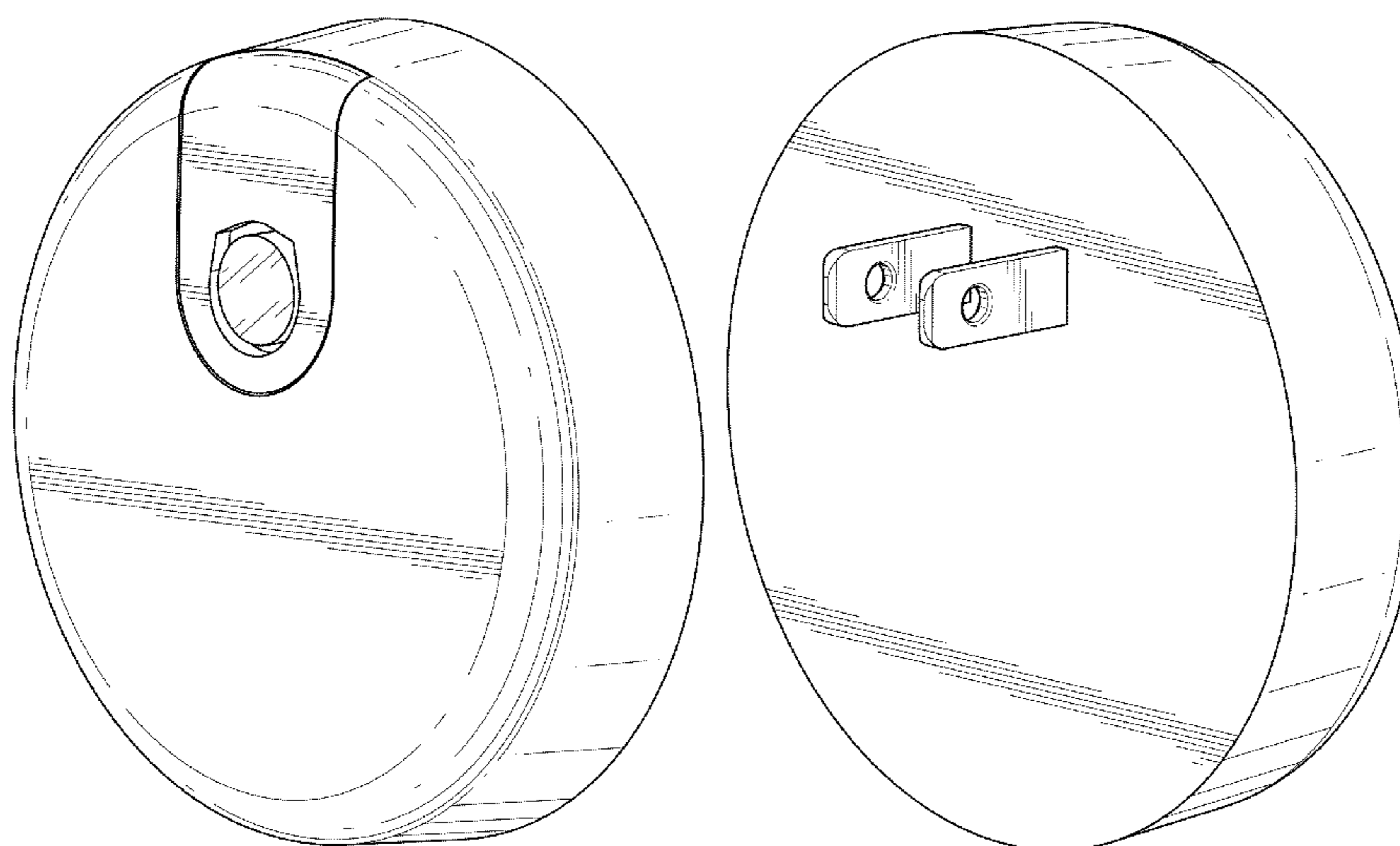
(57) **CLAIM**

The ornamental design for a power outlet camera, as shown and described.

DESCRIPTION

FIG. 1 is a top, front and right side perspective view of a power outlet camera embodying the new design;
FIG. 2 is a top, rear and left side perspective view thereof;
FIG. 3 is a front elevation view thereof;
FIG. 4 is a rear elevation view thereof;
FIG. 5 is a left side elevation view thereof; the undisclosed right side elevation being a mirror image thereof;
FIG. 6 is a top plan view thereof;
FIG. 7 is a bottom plan view thereof; and,
FIG. 8 is a front elevation view thereof, depicting a power outlet in broken lines to illustrate environment and forms no part of the claimed design.

1 Claim, 7 Drawing Sheets



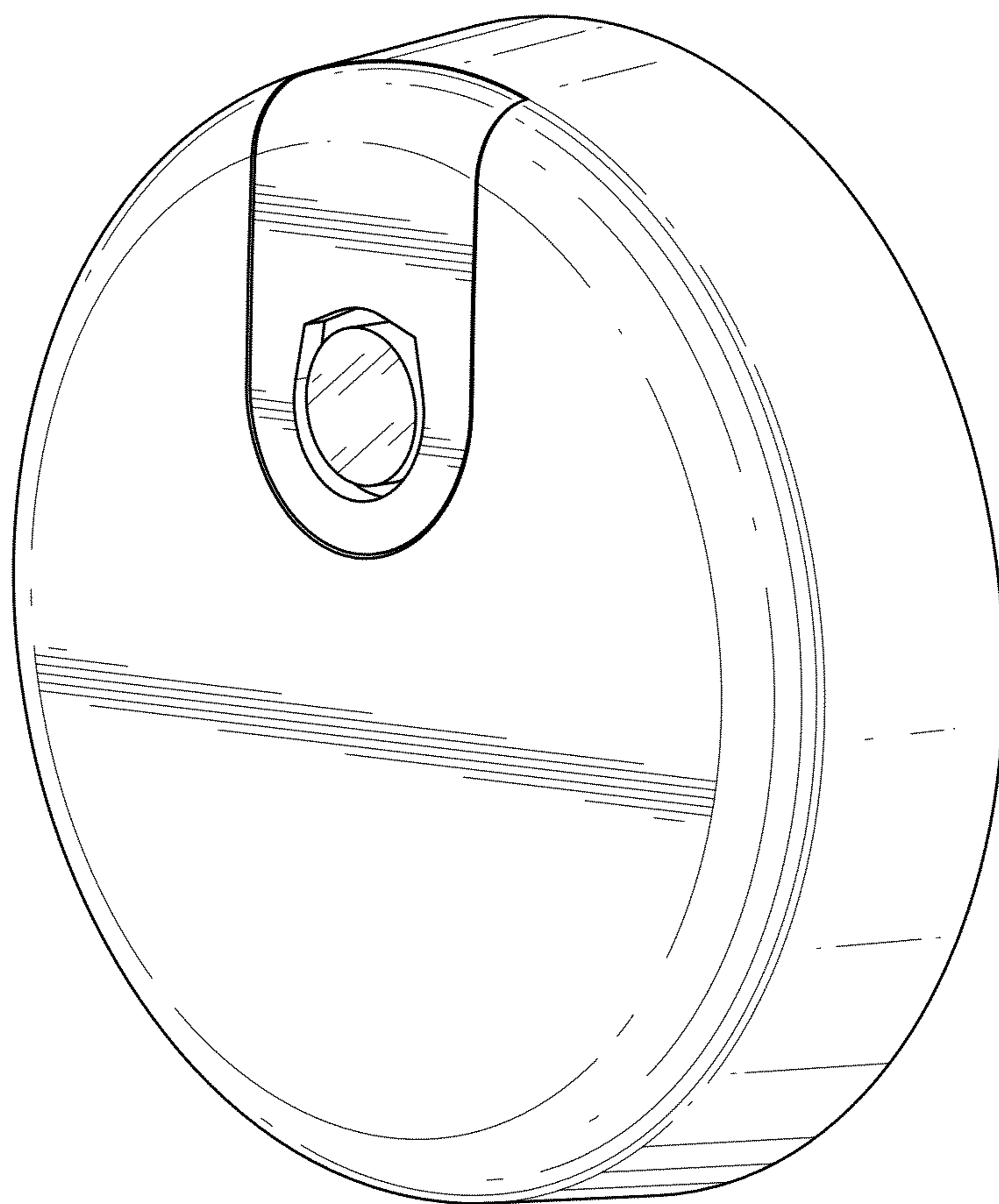


FIG. 1

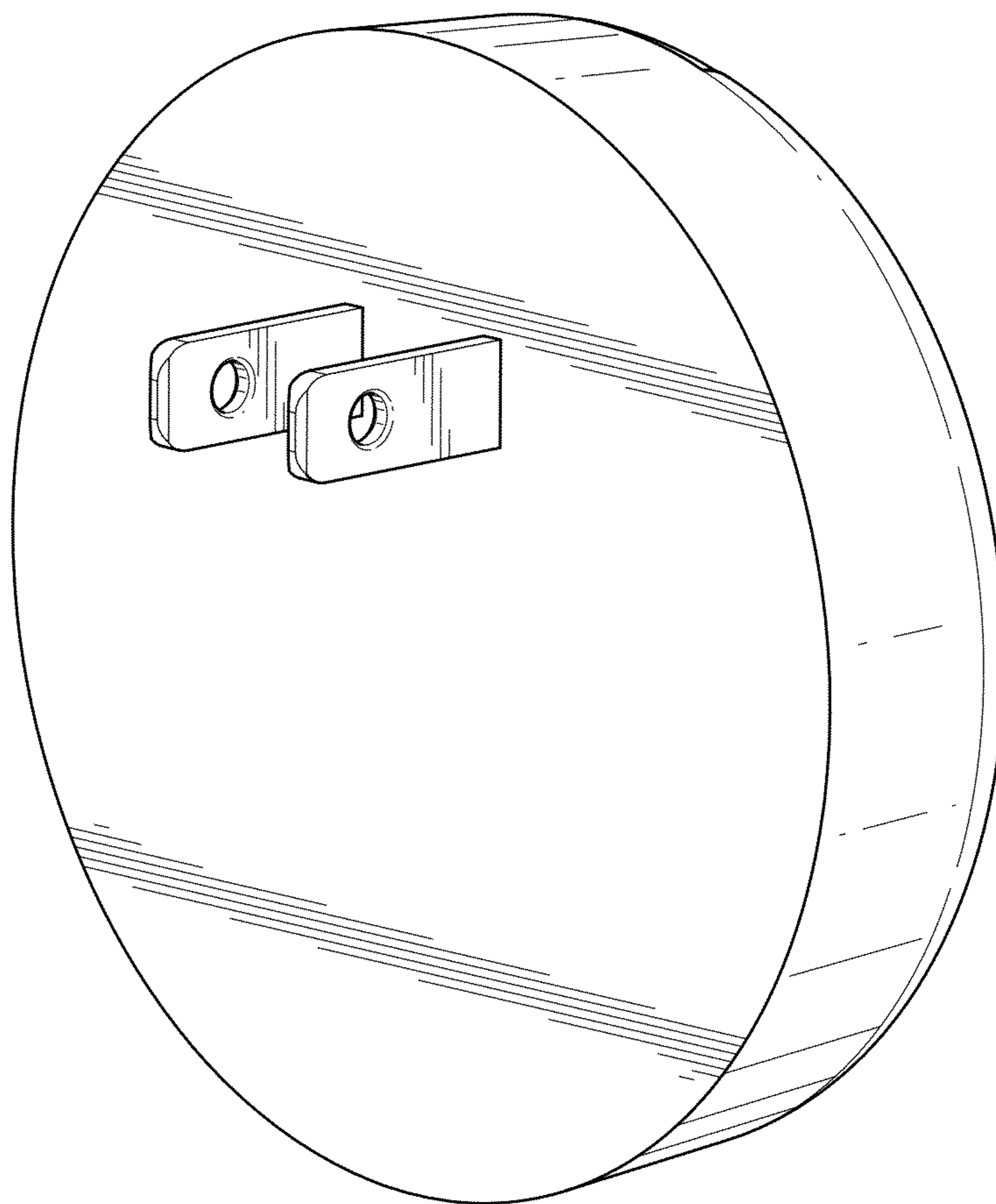


FIG. 2

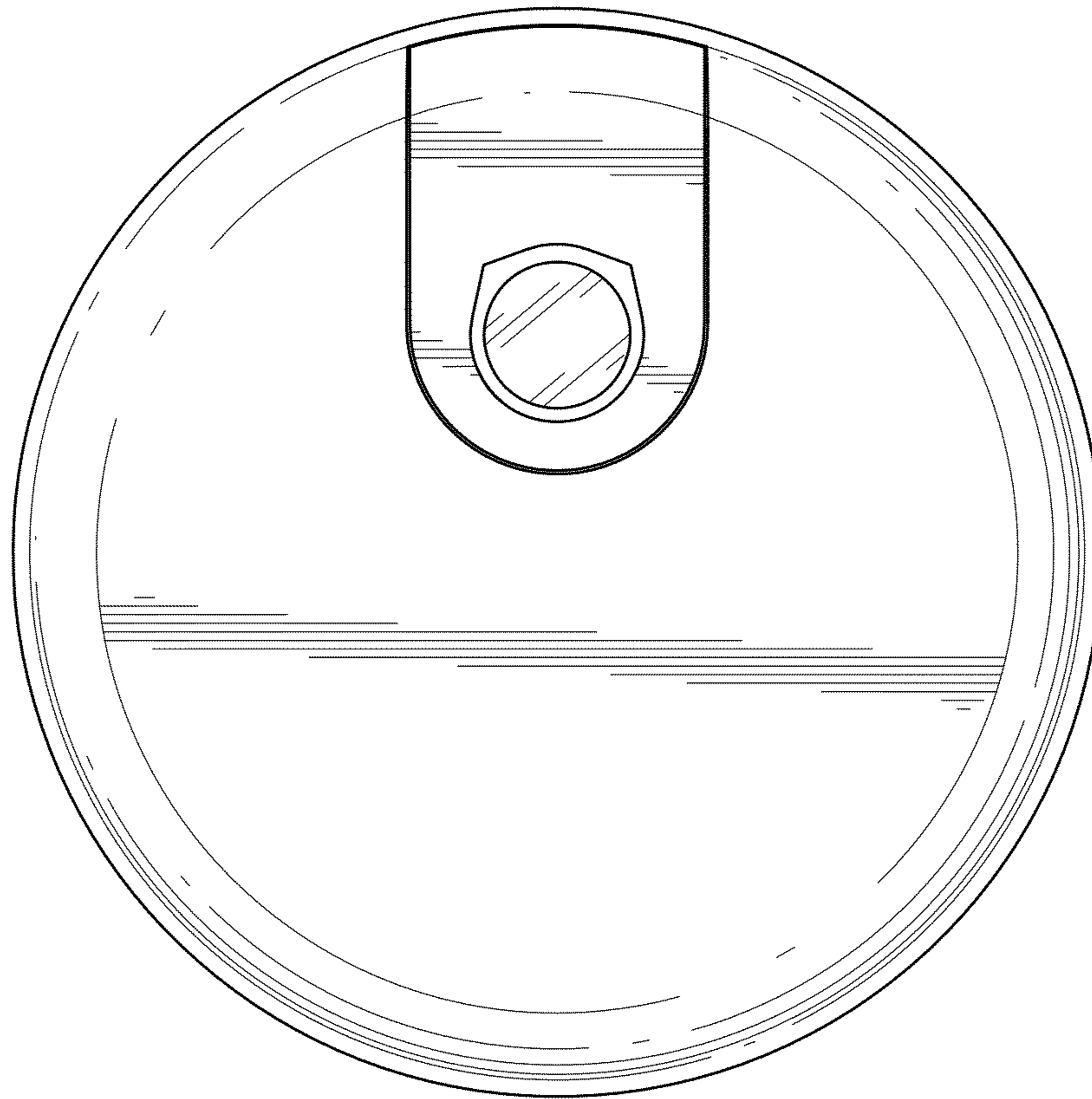


FIG. 3

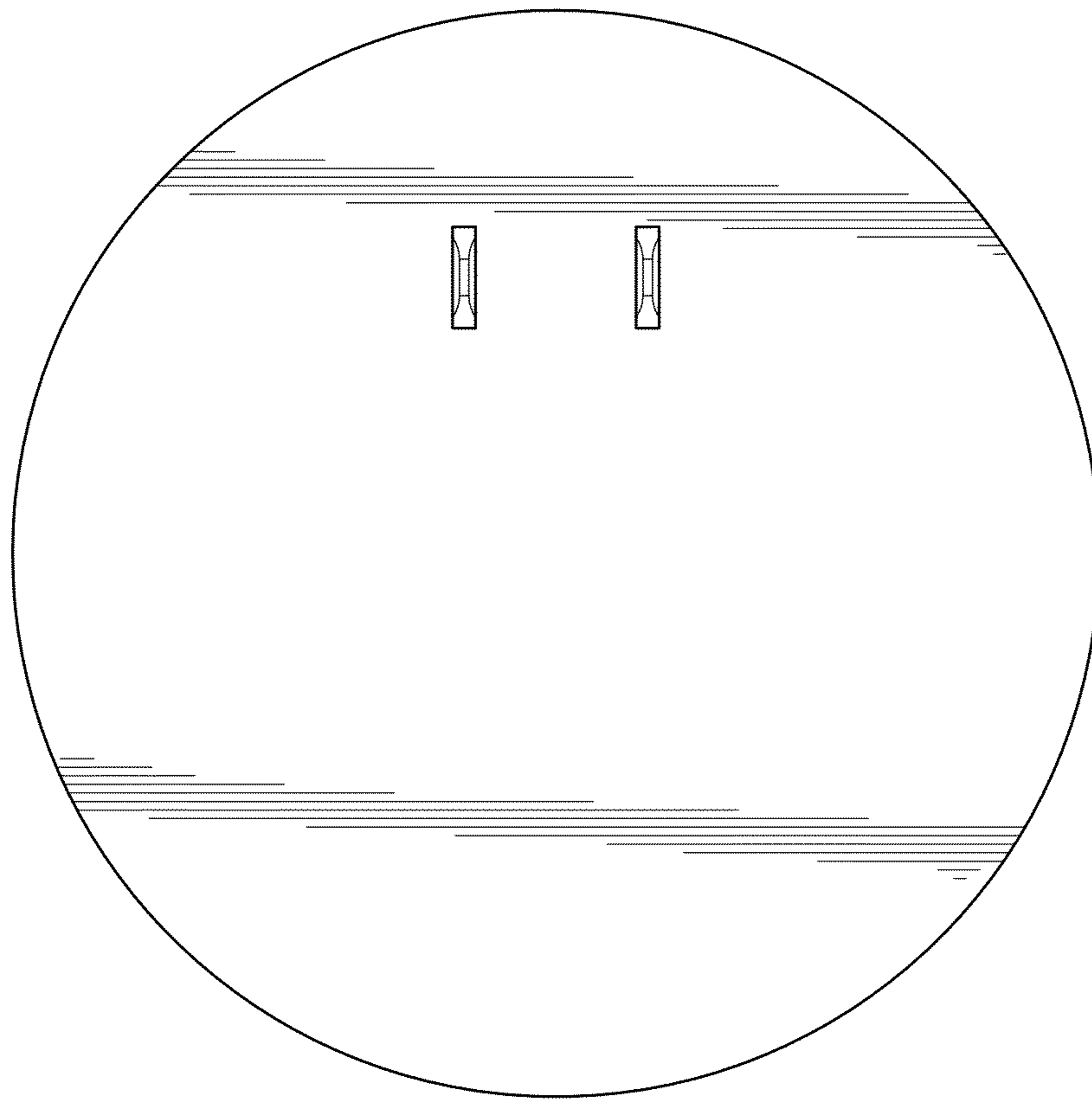


FIG. 4

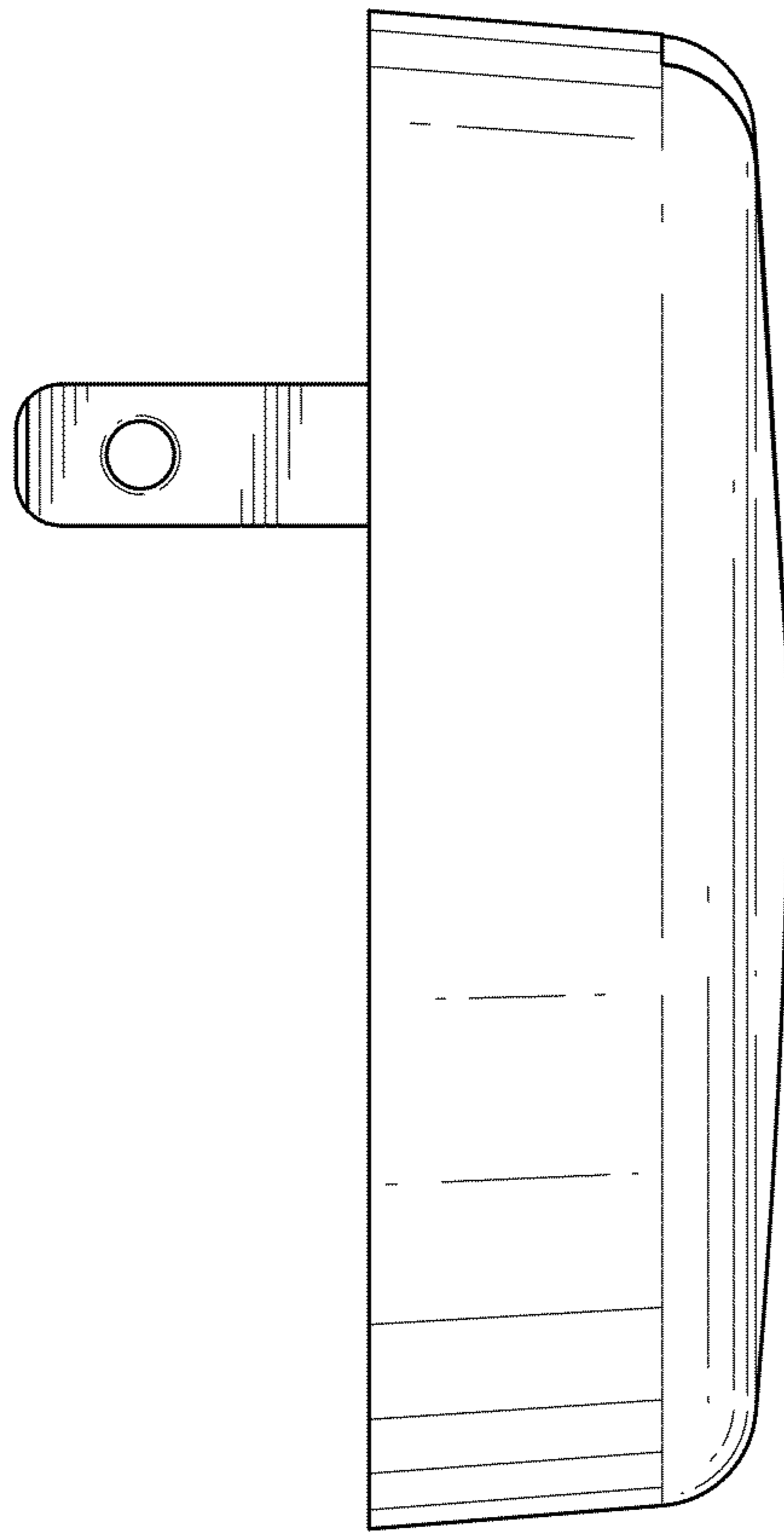


FIG. 5

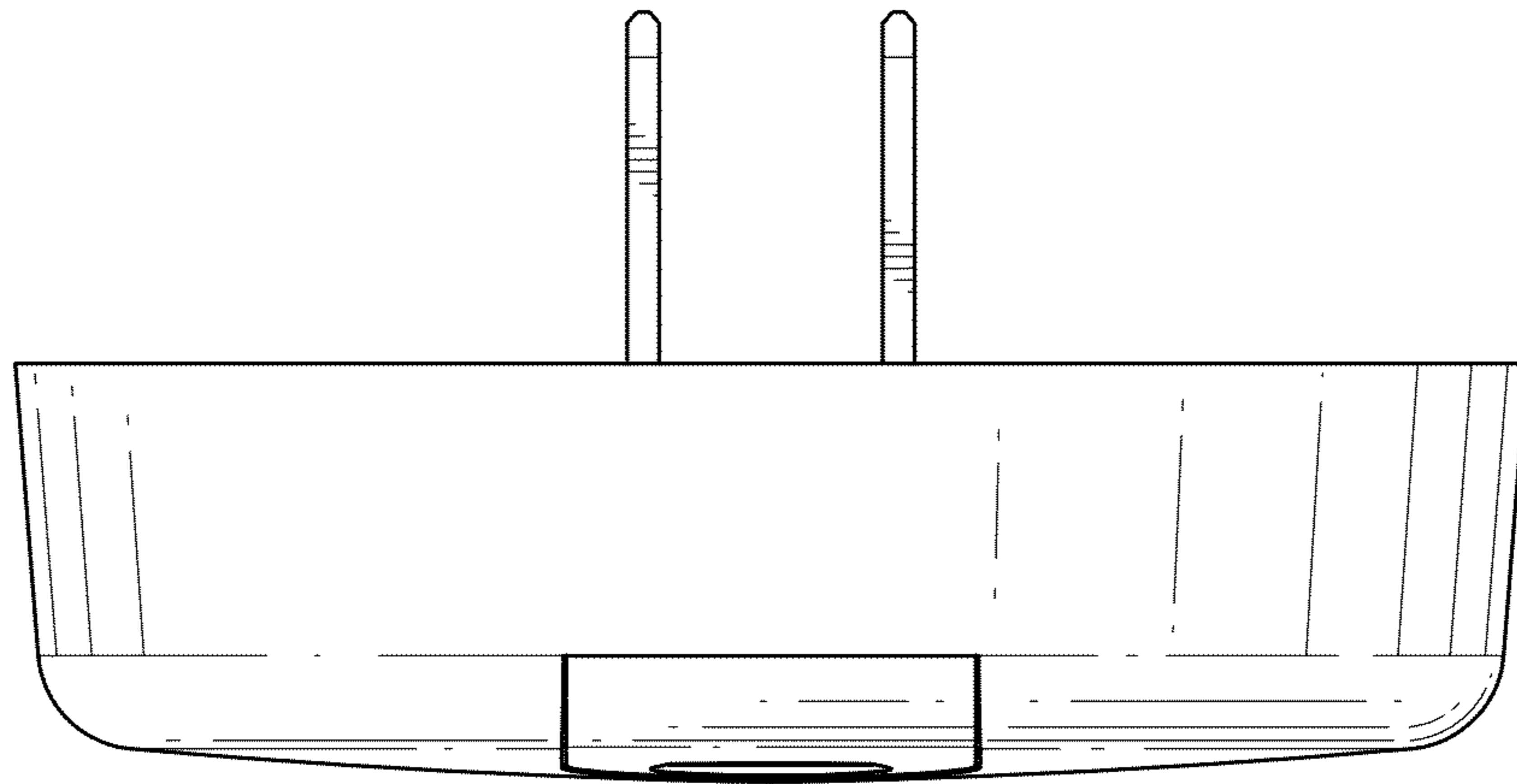


FIG. 6

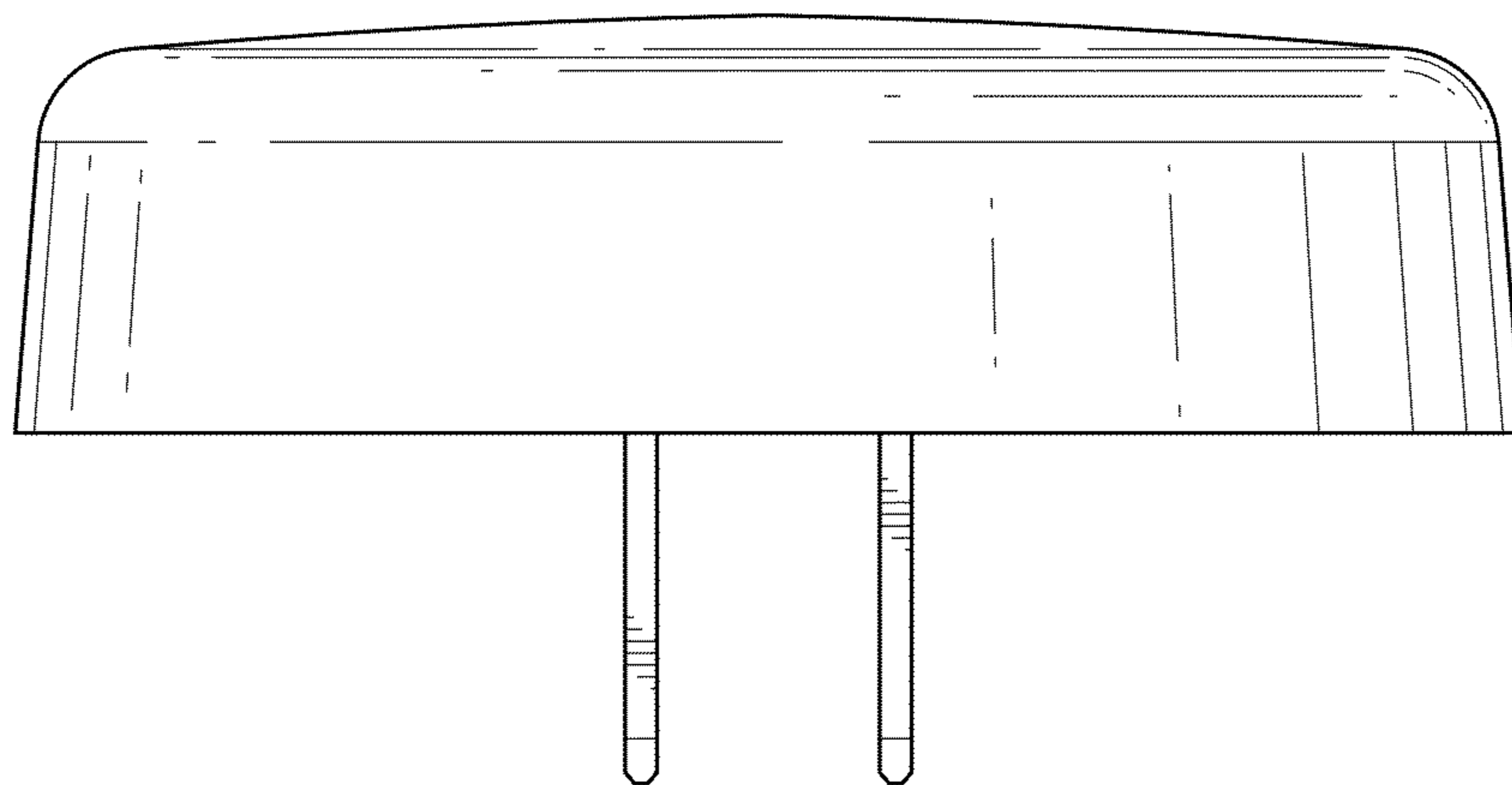


FIG. 7

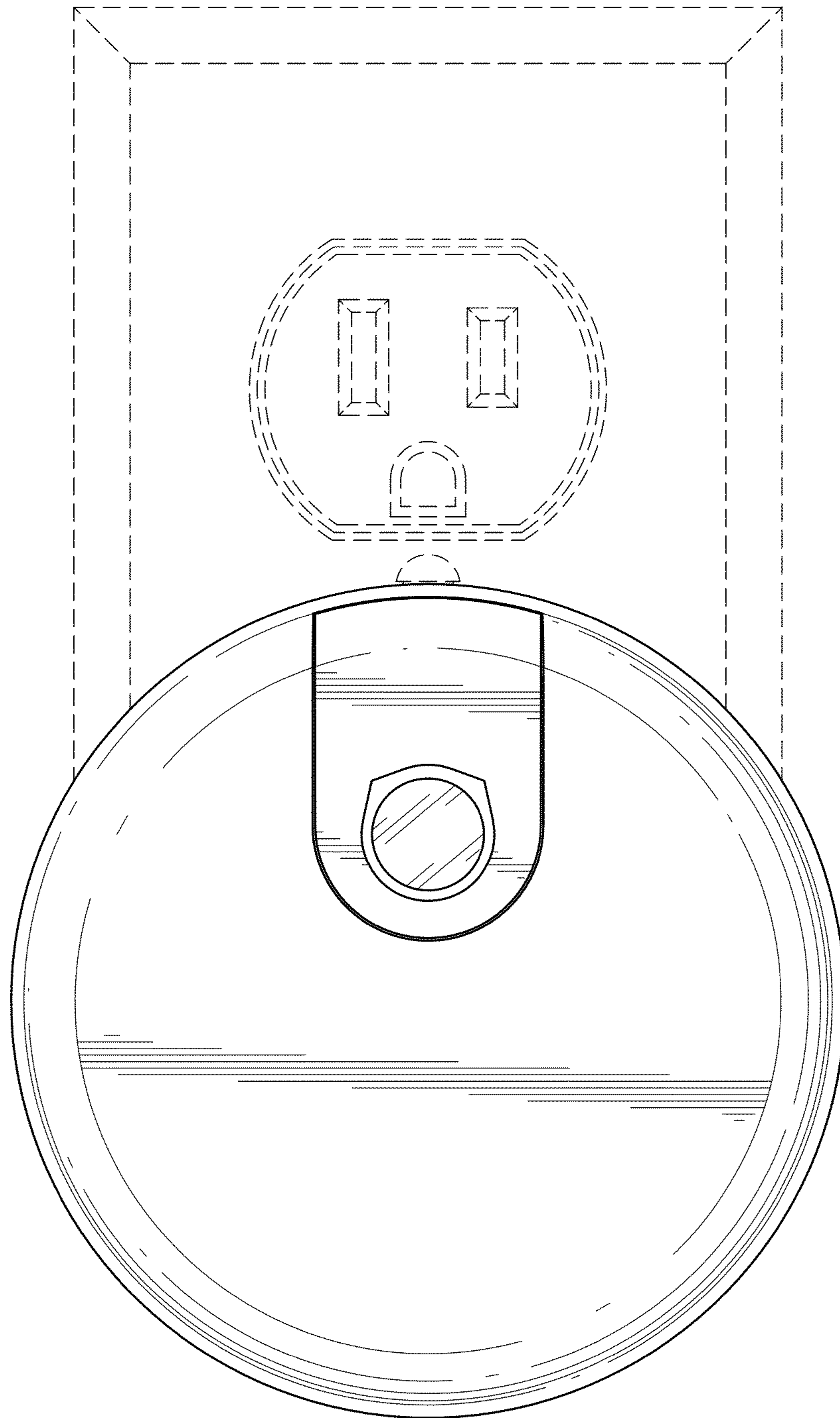


FIG. 8