



US00D736292S

(12) **United States Design Patent**  
**Fengmin et al.**

(10) **Patent No.:** **US D736,292 S**  
(45) **Date of Patent:** **\*\* Aug. 11, 2015**

(54) **HOUSEHOLD MONITORING CAMERA**

(71) Applicant: **Hikvision Digital Technology Co., Ltd.**,  
Hangzhou (CN)

(72) Inventors: **Zhang Fengmin**, Hangzhou (CN); **Ying Liang**, Hangzhou (CN); **Chen Yepeng**, Hangzhou (CN)

(73) Assignee: **Hikvision Digital Technology Co., Ltd.**, Hangzhou (CN)

(\*\*) Term: **14 Years**

(21) Appl. No.: **29/475,084**

(22) Filed: **Nov. 27, 2013**

(30) **Foreign Application Priority Data**

May 30, 2013 (CN) ..... 2013 3 0219089

(51) **LOC (10) Cl.** ..... **16-01**

(52) **U.S. Cl.**  
USPC ..... **D16/203**

(58) **Field of Classification Search**

USPC ..... D16/200, 202–205, 208, 218, 219, 242;  
348/143, 148, 151, 373–376; 396/419,  
396/427, 535, 539–541  
CPC ..... G03B 17/02; G03B 19/04; G03B 17/56;  
G03B 17/04; G03B 15/03; H04N 5/2251;  
H04N 5/2252; H04N 5/2253; H04N 5/2254;  
H04N 7/181; H04N 7/183; H04N 7/18;  
G08B 13/1963; G08B 13/19619; G08B  
13/19632; F16M 11/04; F16M 13/00

See application file for complete search history.

(56) **References Cited**

U.S. PATENT DOCUMENTS

D377,940	S	*	2/1997	Totsch	.....	D16/202
D396,869	S	*	8/1998	Yamakawa et al.	.....	D16/202
D454,900	S	*	3/2002	Tsang et al.	.....	D16/202
D480,741	S	*	10/2003	Berger et al.	.....	D16/202
D594,047	S	*	6/2009	Lee	.....	D16/202
D595,328	S	*	6/2009	Kim et al.	.....	D16/219
D624,108	S	*	9/2010	Wang et al.	.....	D16/219
D649,573	S	*	11/2011	Al	.....	D16/203
D692,939	S	*	11/2013	Huang et al.	.....	D16/218
D693,868	S	*	11/2013	Ying	.....	D16/203
D698,851	S	*	2/2014	Samuels et al.	.....	D16/242
2004/0227850	A1	*	11/2004	Chiang	.....	348/375
2014/0160349	A1	*	6/2014	Huang et al.	.....	348/375

\* cited by examiner

*Primary Examiner* — Adir Aronovich

*Assistant Examiner* — Ramzi Almatrahi

(74) *Attorney, Agent, or Firm* — Fish & Richardson P.C.

(57) **CLAIM**

The ornamental design for a household monitoring camera, substantially as shown and described.

**DESCRIPTION**

FIG. 1 is a perspective view of a household monitoring camera.

FIG. 2 is a front elevation view of the household monitoring camera.

FIG. 3 is a rear elevation view of the household monitoring camera.

FIG. 4 is a right side elevation view of the household monitoring camera.

FIG. 5 is a left side elevation view of the household monitoring camera.

FIG. 6 is a top plan view of the household monitoring camera; and,

FIG. 7 is a bottom plan view of the household monitoring camera.

**1 Claim, 7 Drawing Sheets**

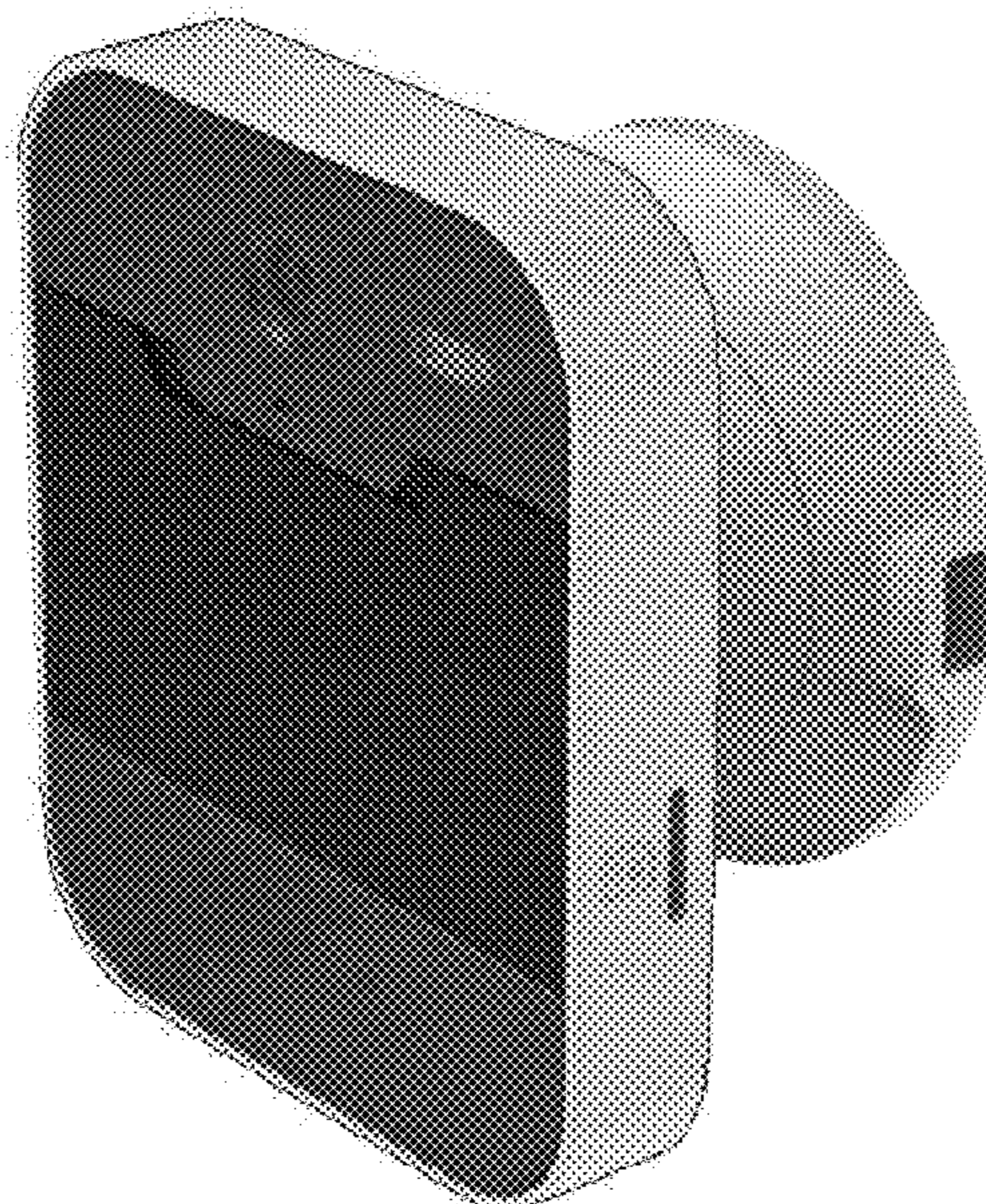




FIG. 1



FIG. 2

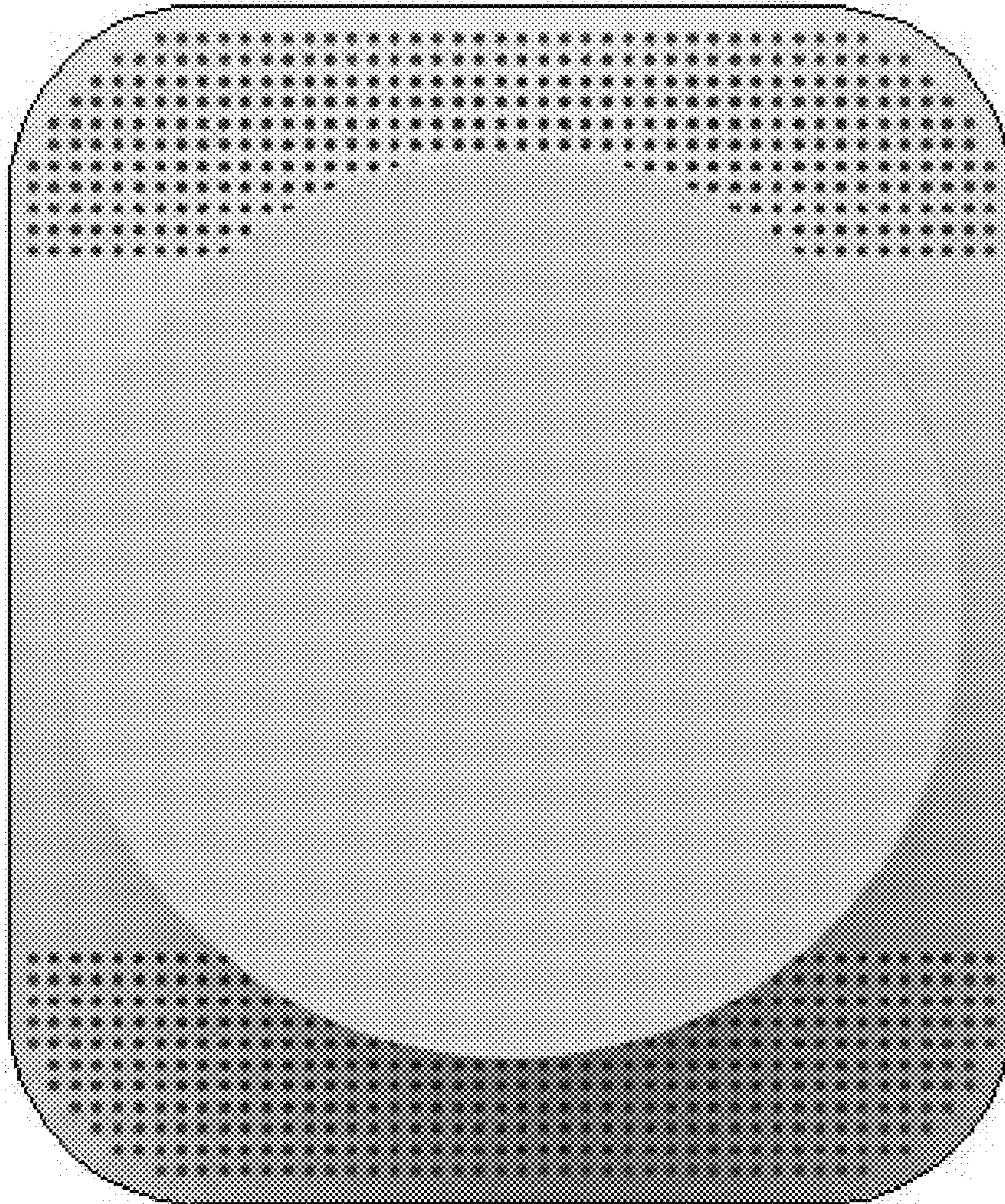


FIG. 3

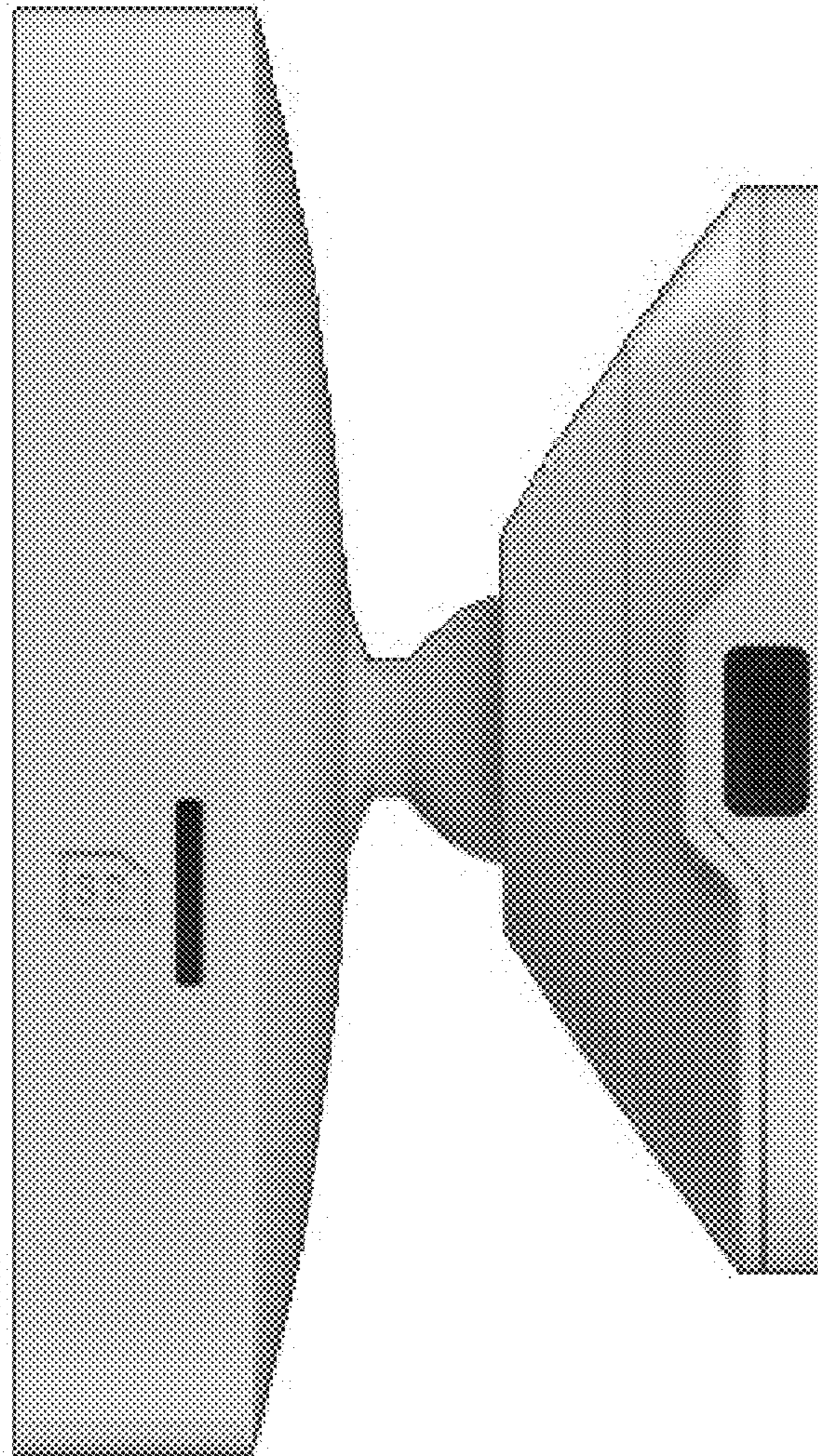


FIG. 4

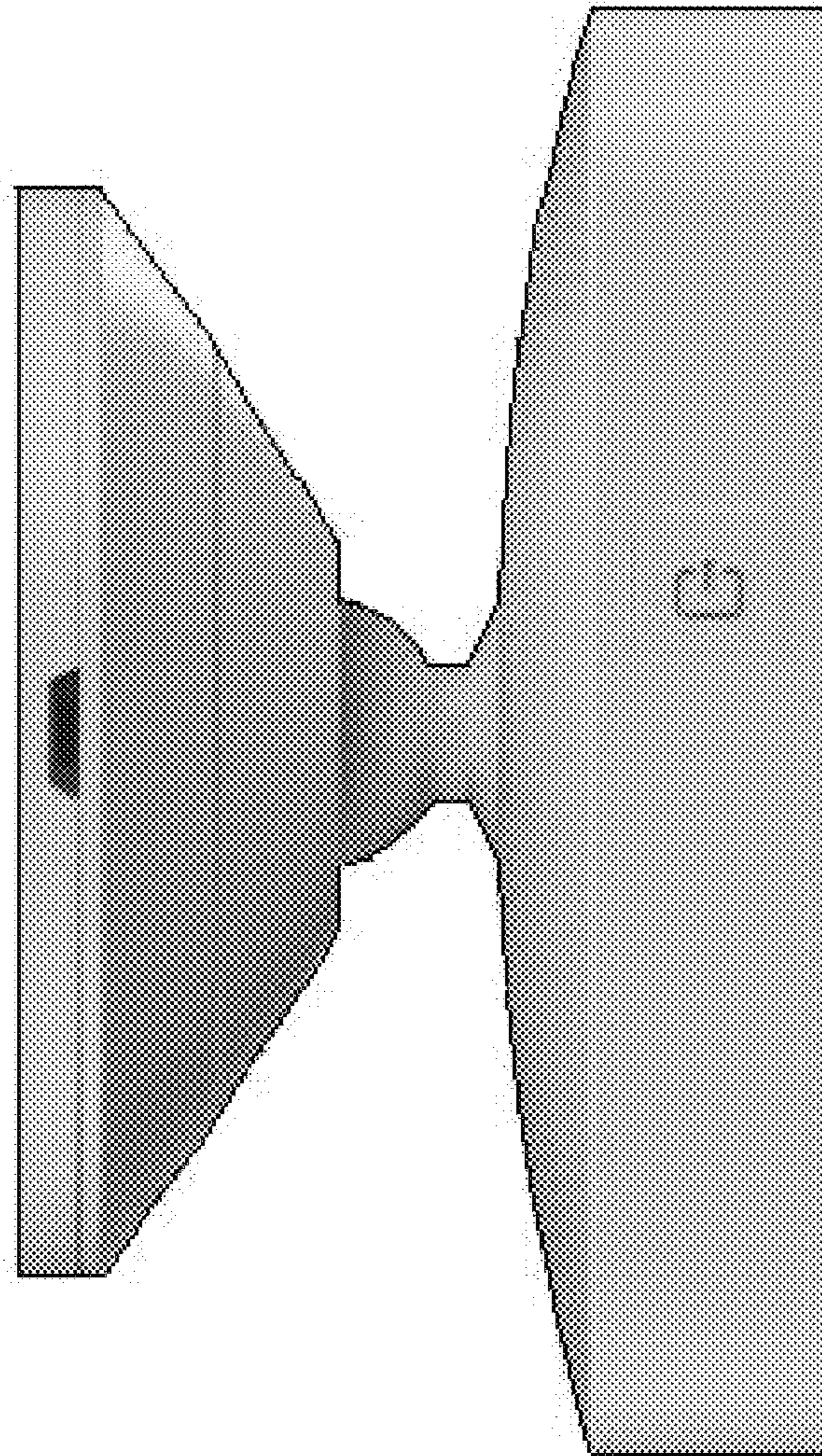


FIG. 5

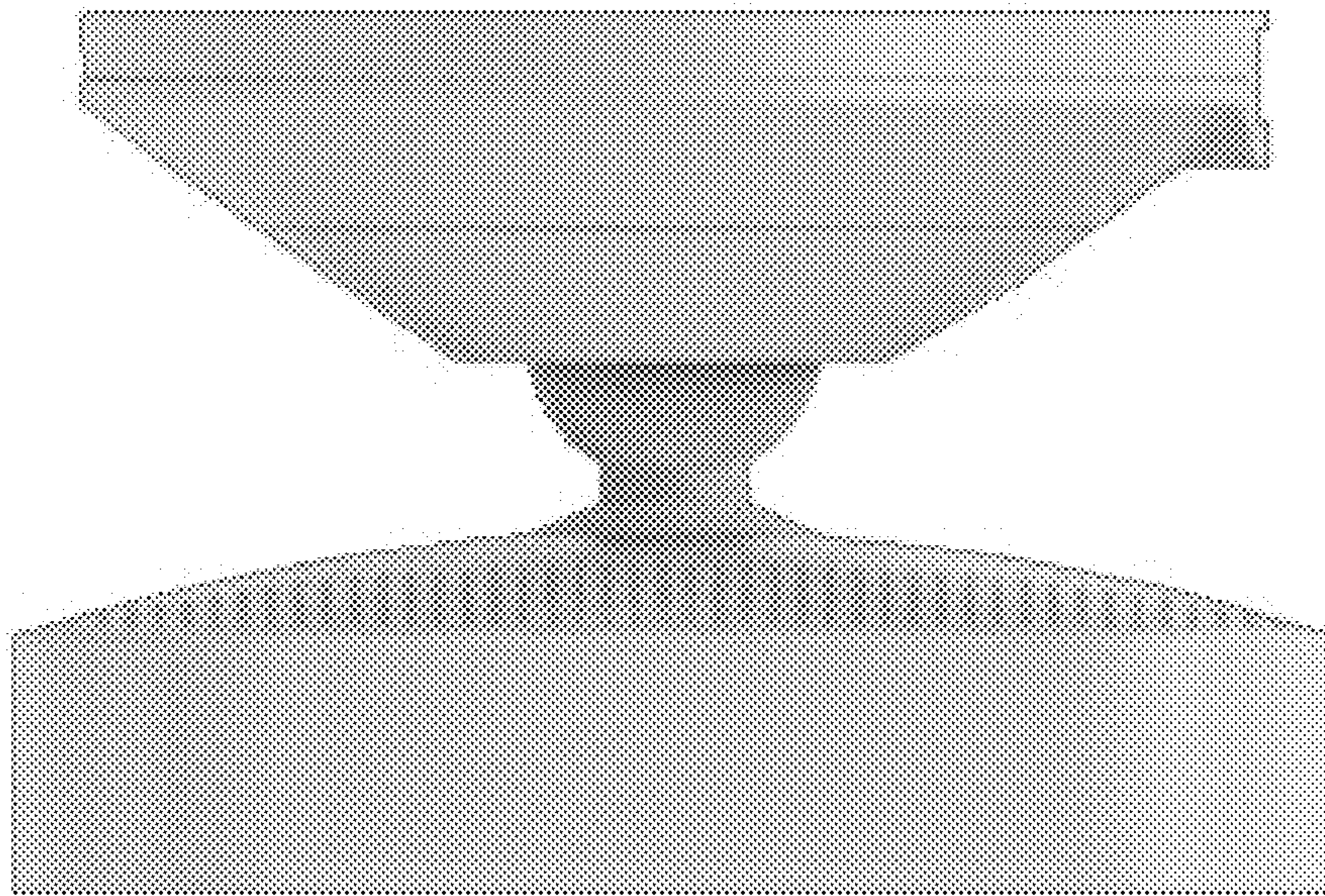


FIG. 6

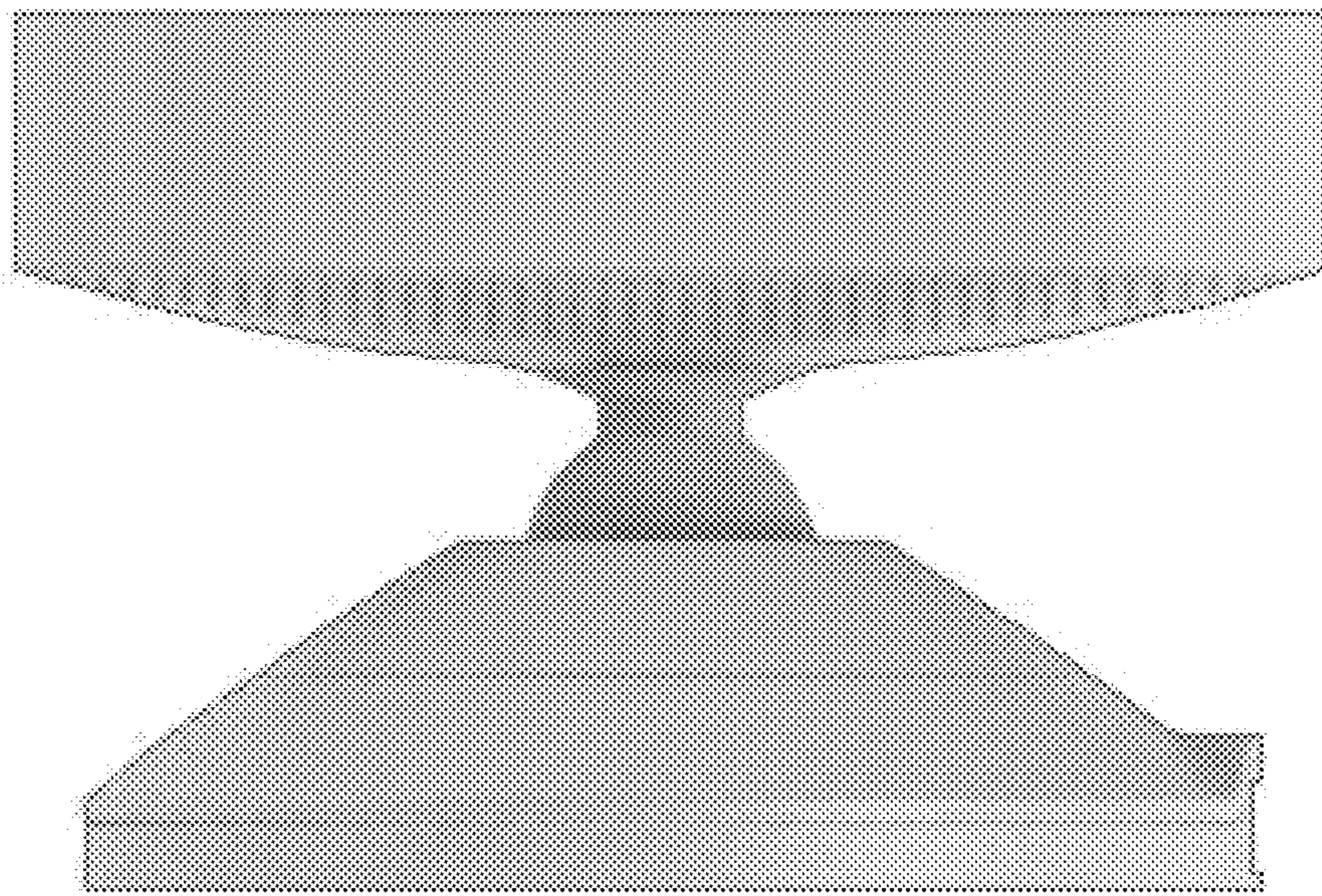


FIG. 7