



US00D736291S

(12) **United States Design Patent**
Chai et al.

(10) **Patent No.:** **US D736,291 S**
(45) **Date of Patent:** **** Aug. 11, 2015**

(54) **CAMERA**

(56) **References Cited**

(71) Applicant: **Samsung Electronics Co., Ltd.**,
Suwon-si, Gyeonggi-do (KR)

(72) Inventors: **Ki-Byung Chai**, Seoul (KR); **Ki-Jin Kwon**, Suwon-si (KR)

(73) Assignee: **Samsung Electronics Co., Ltd.**,
Suwon-Si (KR)

(**) Term: **14 Years**

(21) Appl. No.: **29/489,260**

(22) Filed: **Apr. 29, 2014**

(30) **Foreign Application Priority Data**

Dec. 16, 2013 (KR) 30-2013-0063534

(51) **LOC (10) Cl.** **16-01**

(52) **U.S. Cl.**
USPC **D16/202; D16/219**

(58) **Field of Classification Search**
USPC D16/200, 202, 204, 206, 208, 218, 219;
348/373–376; 396/535–541

See application file for complete search history.

U.S. PATENT DOCUMENTS

D564,563	S	*	3/2008	Kamiya et al.	D16/202
7,929,859	B2	*	4/2011	Saiki	396/543
8,014,667	B2	*	9/2011	Saiki	396/535
D695,810	S	*	12/2013	Soejima	D16/219
D698,848	S	*	2/2014	Uemachi et al.	D16/219
D723,088	S	*	2/2015	Jang et al.	D16/202

* cited by examiner

Primary Examiner — Adir Aronovich

(74) *Attorney, Agent, or Firm* — Ladas & Parry LLP

(57) **CLAIM**

We claim the ornamental design for a camera, as shown and described.

DESCRIPTION

FIG. 1 is a front perspective view of a camera showing our new design;

FIG. 2 is a front elevation view thereof;

FIG. 3 is a rear elevation view of thereof;

FIG. 4 is a left-side elevation view thereof;

FIG. 5 is a right-side elevation view thereof;

FIG. 6 is a top plan view thereof; and,

FIG. 7 is a bottom plan view thereof.

The broken lines illustrating portions of the camera are for environmental purposes only and form no part of the claimed design.

1 Claim, 4 Drawing Sheets

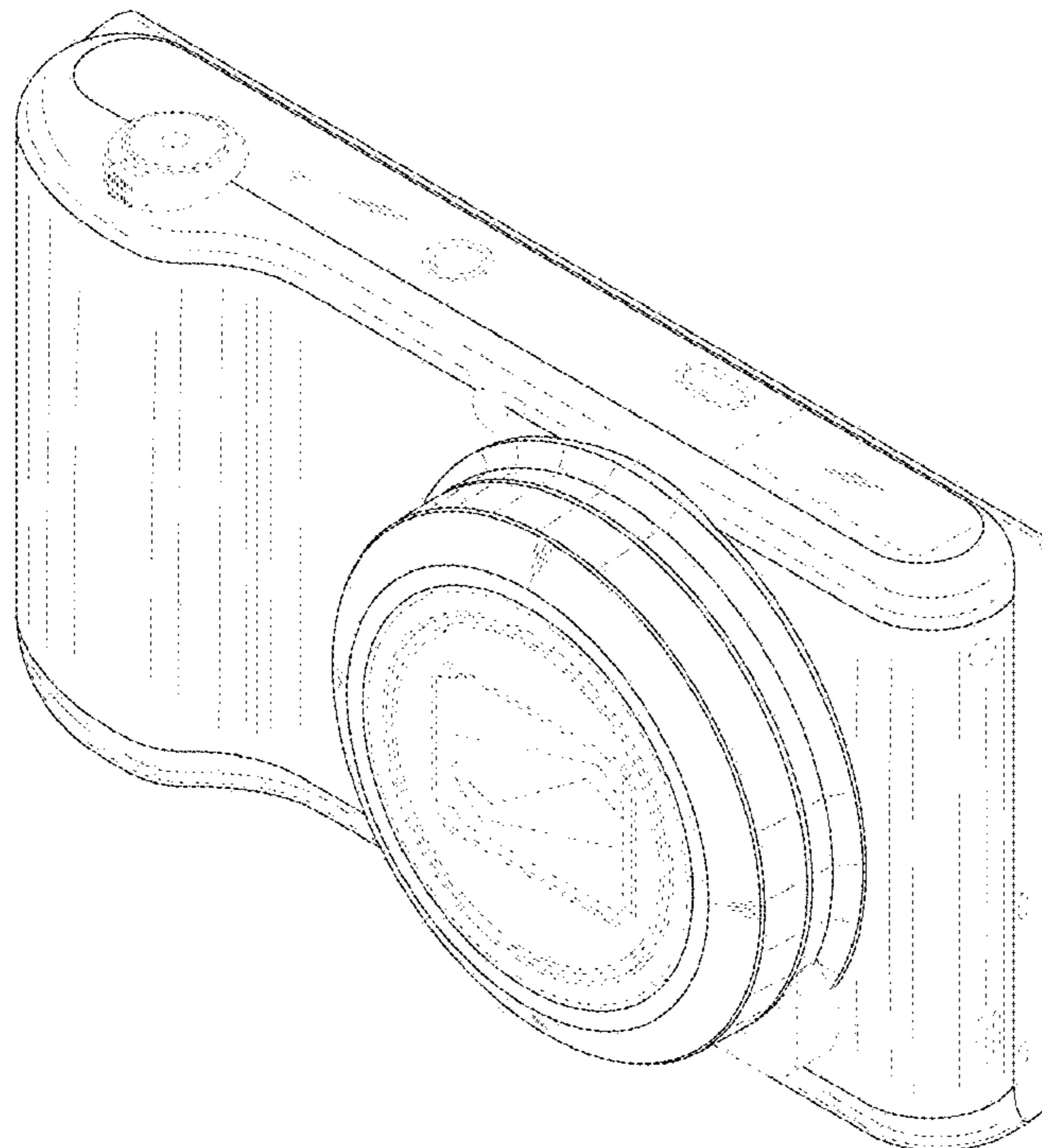


FIG.1

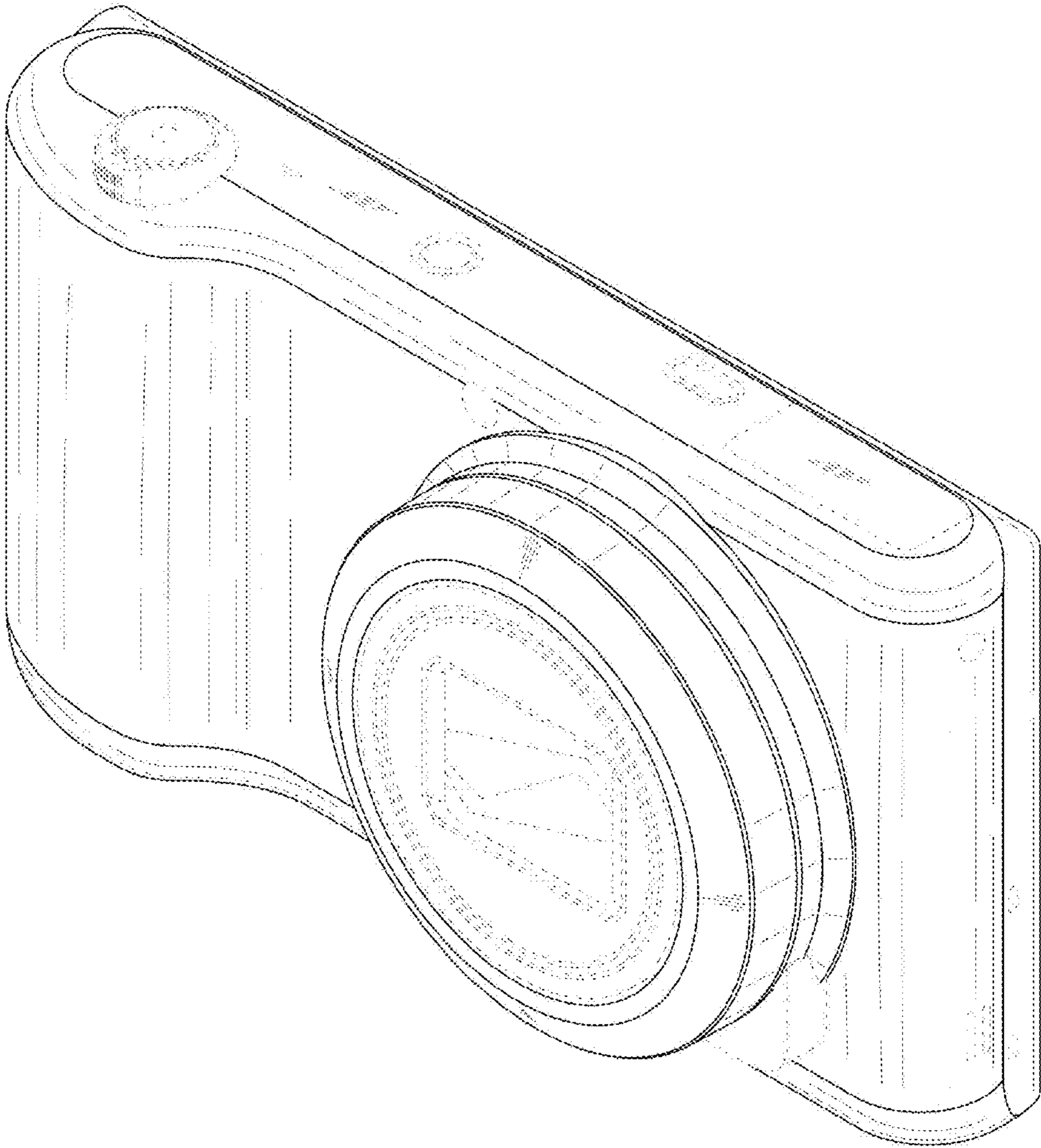


FIG.2

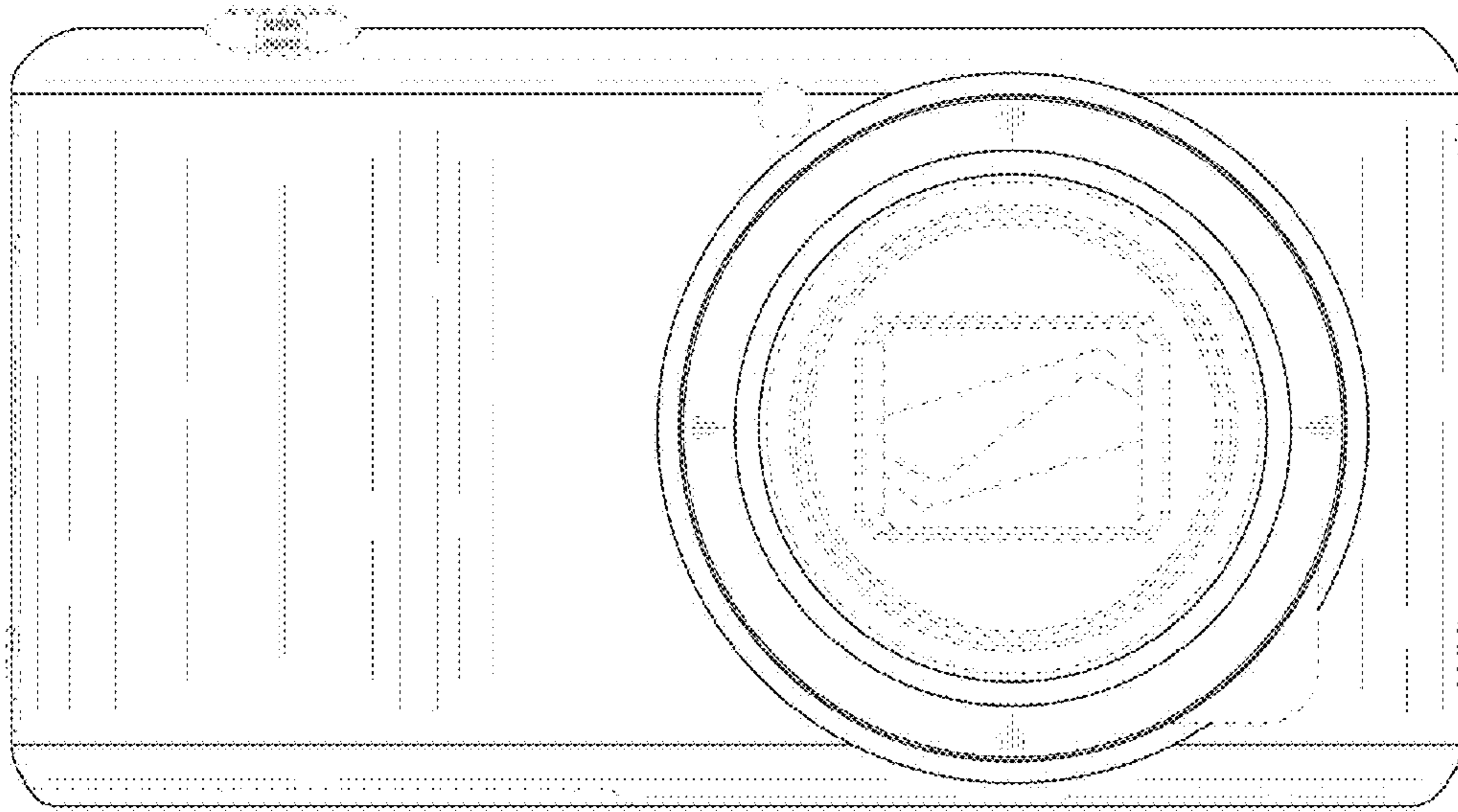


FIG.3



FIG.4

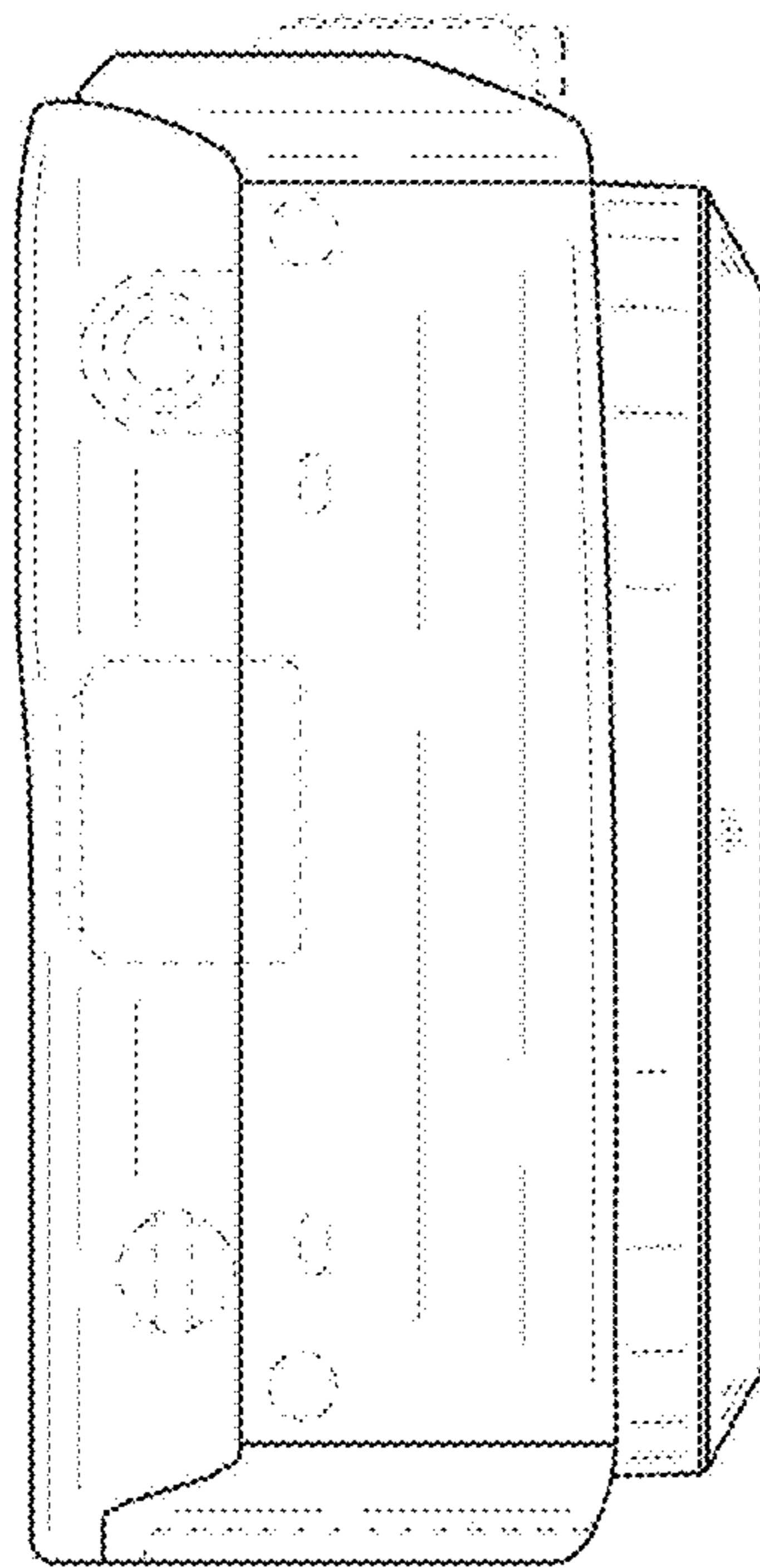


FIG.5

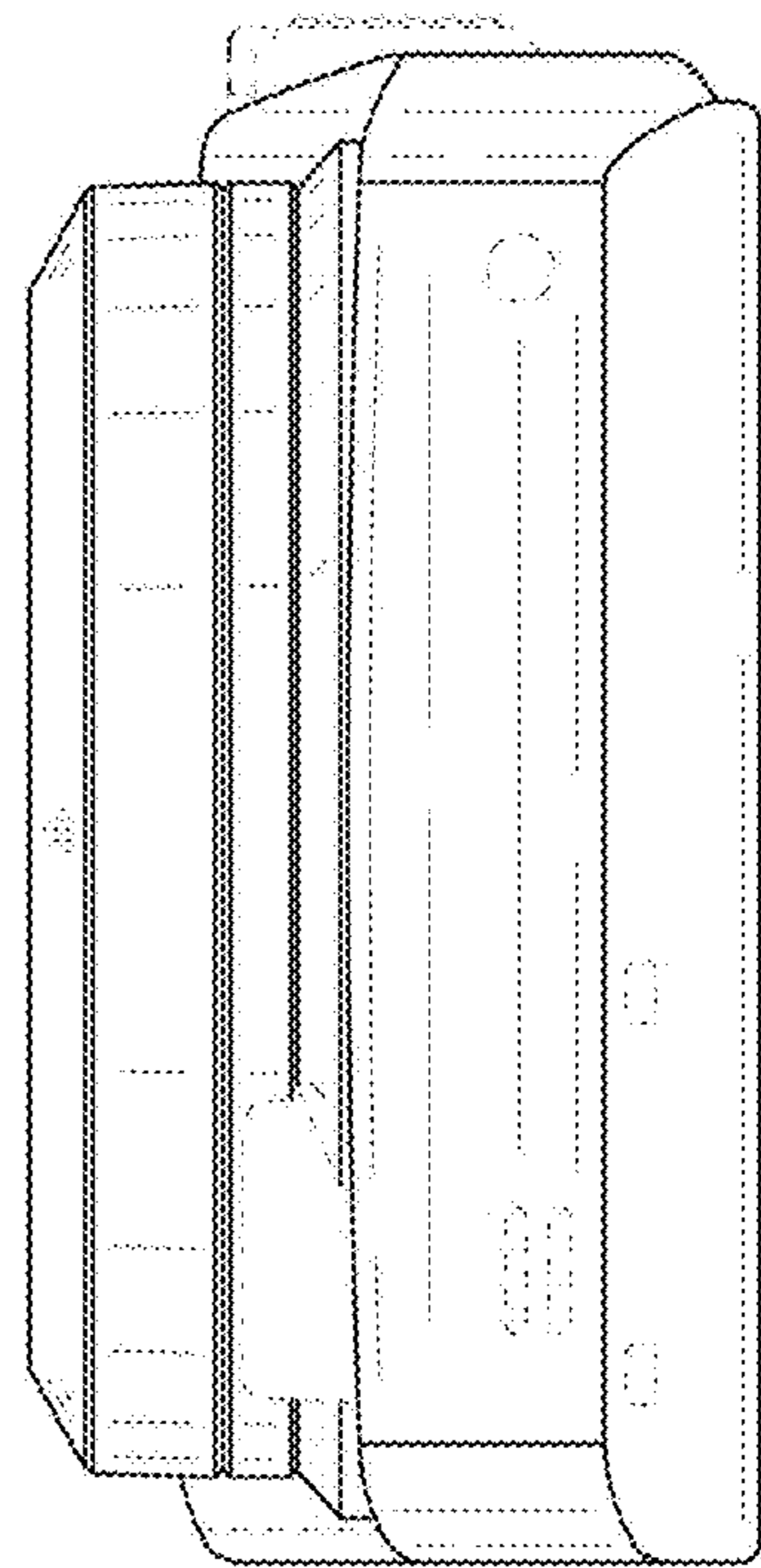


FIG.6

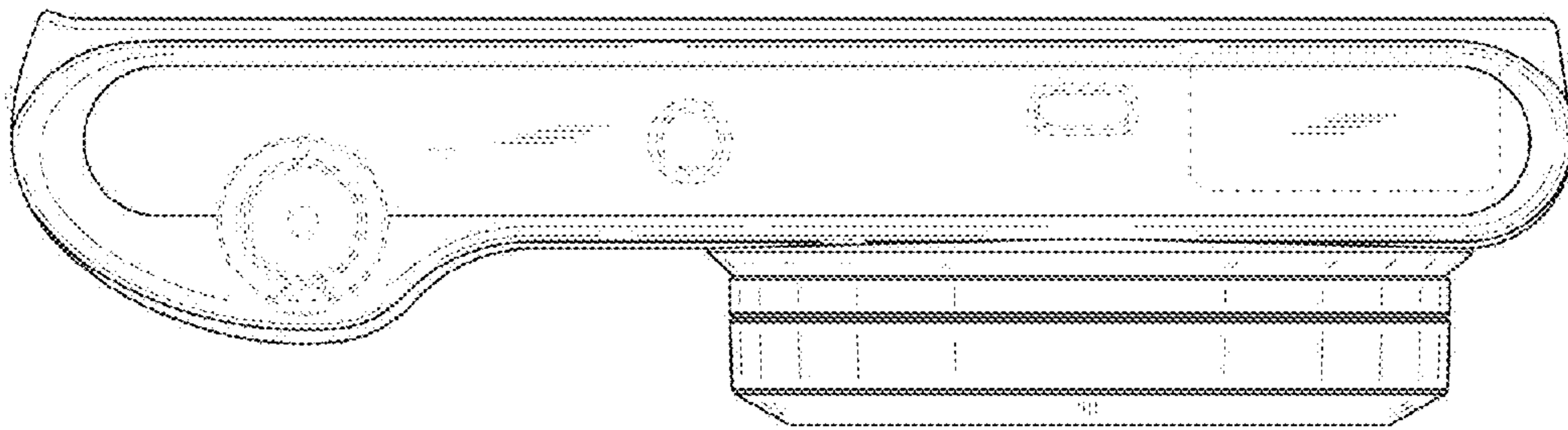


FIG.7

