



US00D736290S

(12) **United States Design Patent**
Hoeffler et al.

(10) **Patent No.:** **US D736,290 S**
(45) **Date of Patent:** **** Aug. 11, 2015**

(54) **FLUID DRAIN DEVICE**
(71) Applicants: **Robert Frederick Hoeffler**, Waxhaw, NC (US); **David Mark Allen**, St. Louis, MO (US)
(72) Inventors: **Robert Frederick Hoeffler**, Waxhaw, NC (US); **David Mark Allen**, St. Louis, MO (US)
(73) Assignee: **LINCOLN INDUSTRIAL CORPORATION**, St. Louis, MO (US)

D365,583 S * 12/1995 Viken D15/151
5,494,191 A * 2/1996 Benson 222/23
D395,439 S * 6/1998 King et al. D15/150
D417,879 S * 12/1999 Few D15/151
6,126,142 A * 10/2000 Wolf et al. 251/354
D477,620 S * 7/2003 Few D15/151
D478,107 S * 8/2003 Few D15/151
D497,624 S * 10/2004 Few D15/151
D504,449 S * 4/2005 Butchko D15/151
D654,522 S * 2/2012 Zhang D15/152
D669,924 S * 10/2012 Lombardo et al. D15/150
2004/0089371 A1 * 5/2004 Few 141/98
2005/0126271 A1 * 6/2005 Gorski et al. 73/118.1

* cited by examiner

(**) Term: **14 Years**

Primary Examiner — Patricia Palasik

(21) Appl. No.: **29/473,404**

(74) *Attorney, Agent, or Firm* — Mark A. Ussai; SKF USA Inc. Patent Department

(22) Filed: **Nov. 21, 2013**

(51) **LOC (10) Cl.** **15-09**

(52) **U.S. Cl.**
USPC **D15/152**

(58) **Field of Classification Search**
USPC D15/150, 151, 152; D34/12, 17, 18, 28;
141/86, 88, 98, 231, 375, 391;
184/106, 511
See application file for complete search history.

(57) **CLAIM**

We claim the ornamental design for a fluid drain device, as shown.

DESCRIPTION

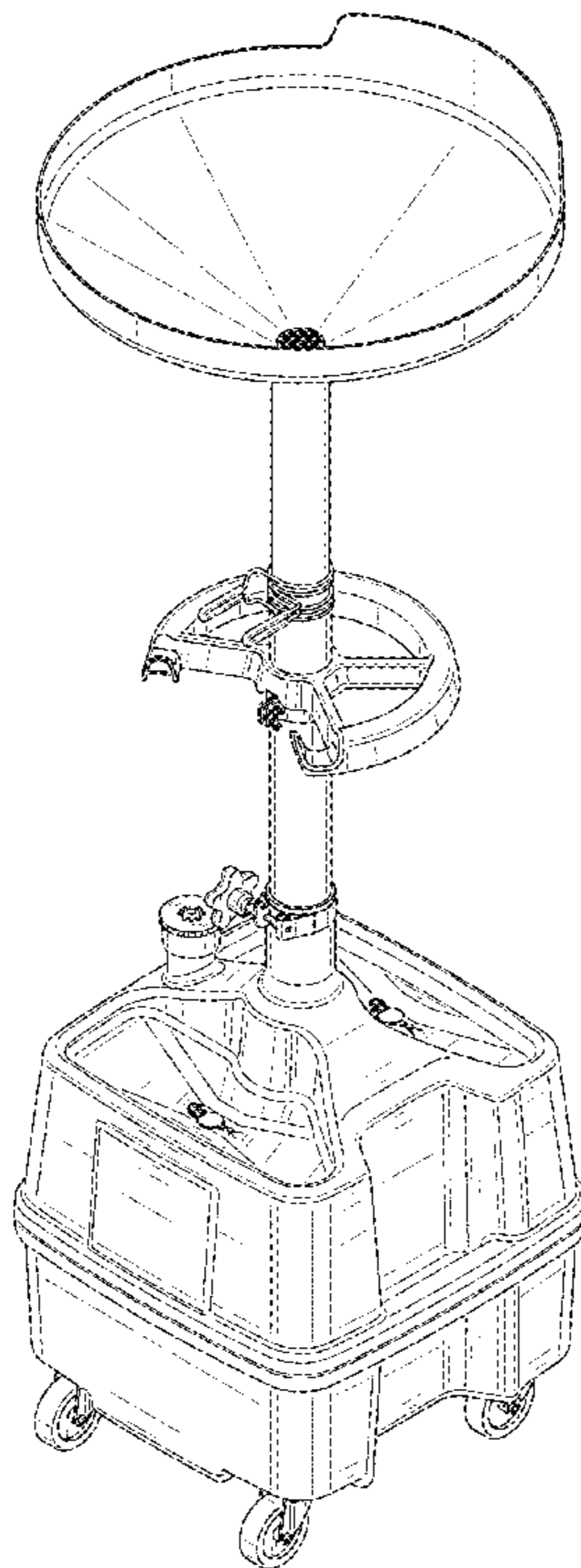
FIG. 1 is a perspective view of a fluid drain device showing our new design;
FIG. 2 is a front elevational view thereof;
FIG. 3 is a rear elevational view thereof;
FIG. 4 is a left side elevational view thereof;
FIG. 5 is a right side elevational view thereof; and,
FIG. 6 is a top plan view thereof.

(56) **References Cited**

U.S. PATENT DOCUMENTS

D224,043 S * 6/1972 Billos D15/152
D248,236 S * 6/1978 Senese D15/150

1 Claim, 6 Drawing Sheets



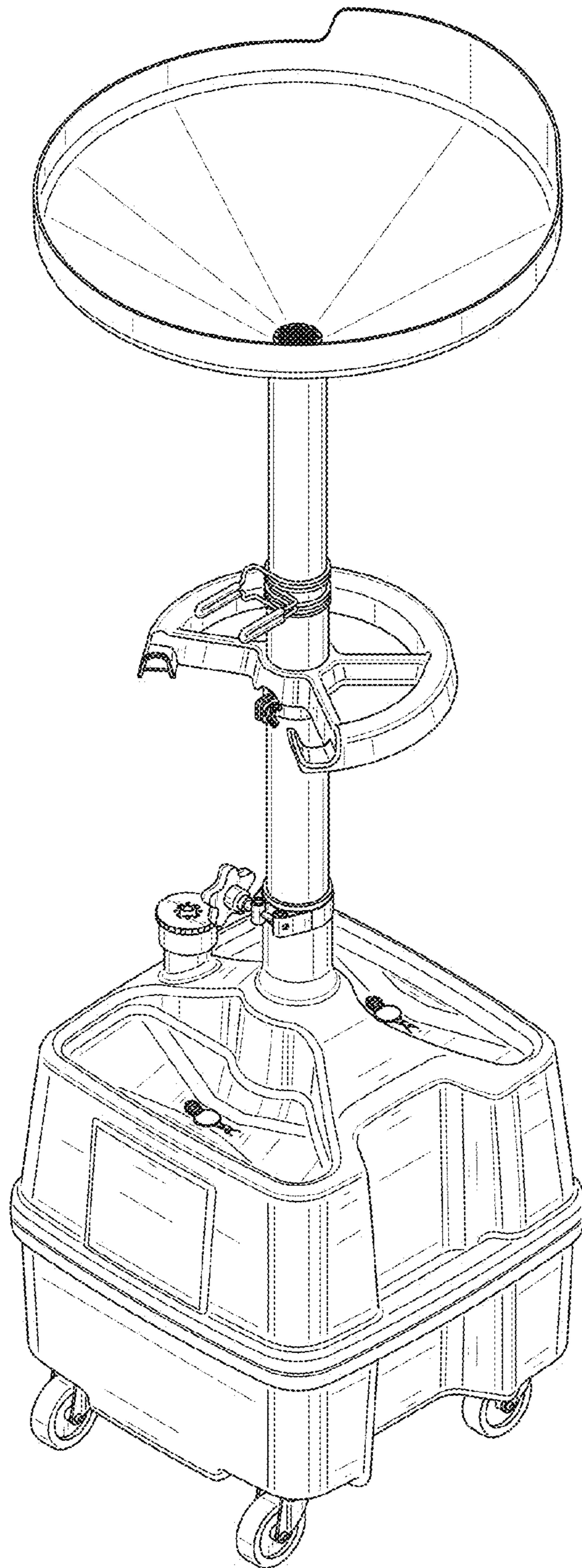


FIG. 1

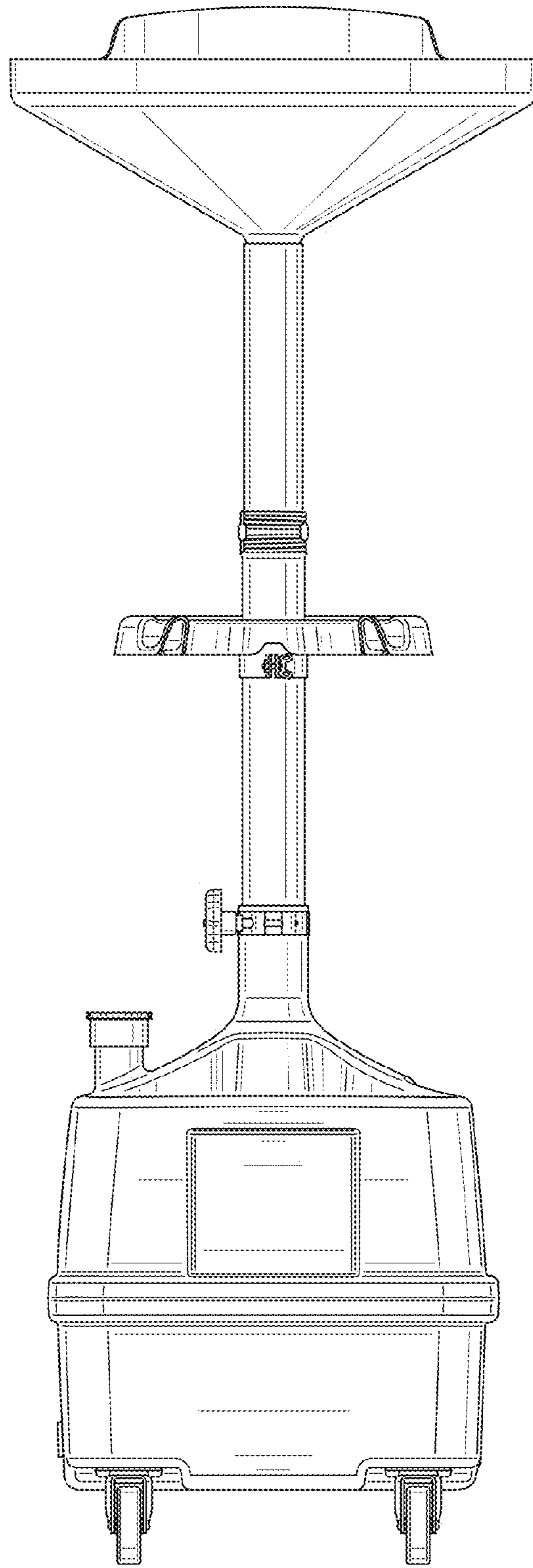


FIG. 2

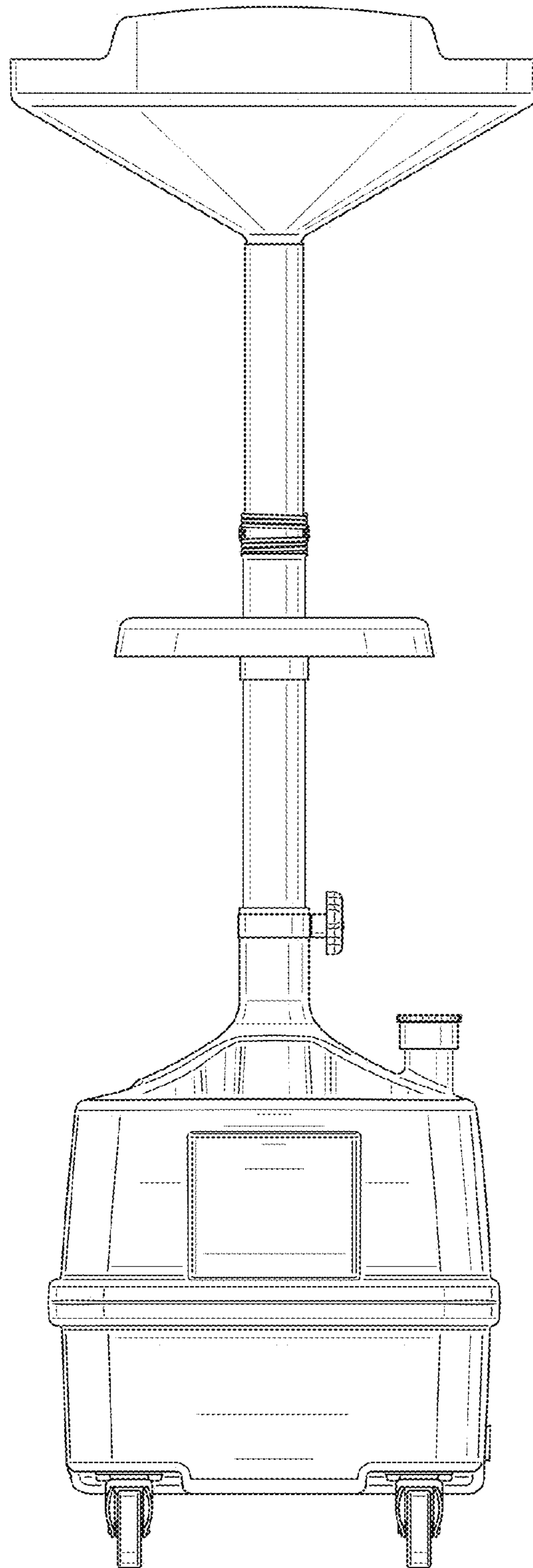


FIG. 3

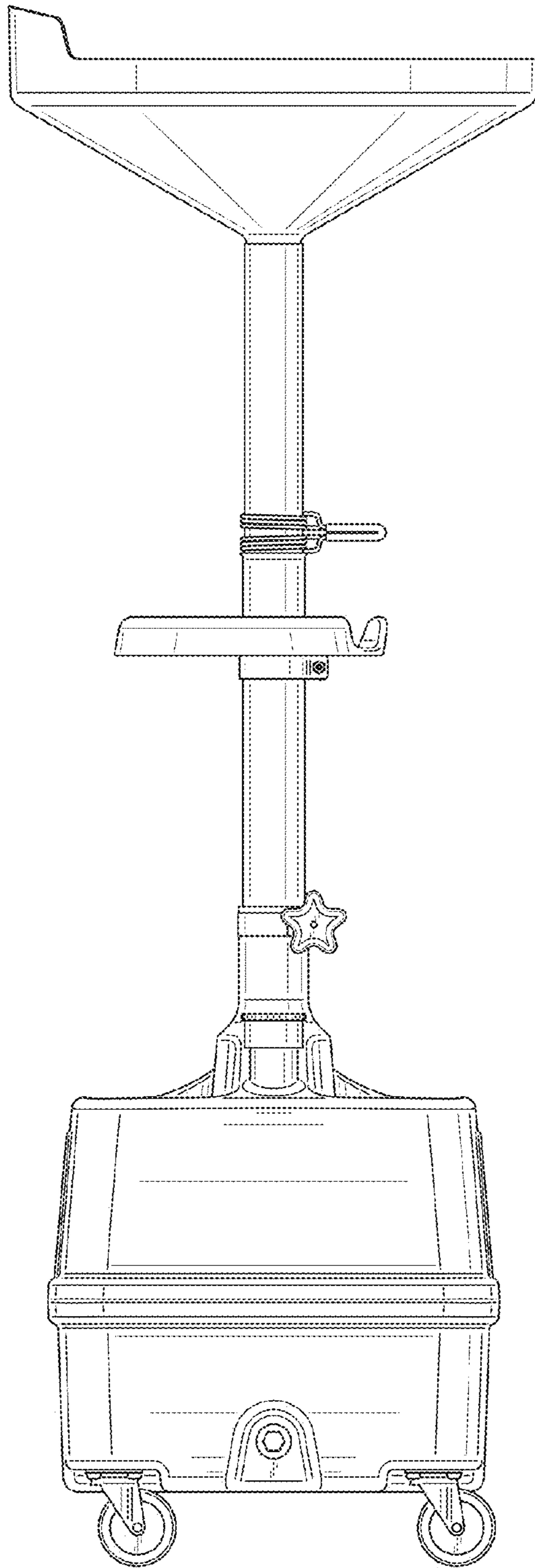


FIG. 4

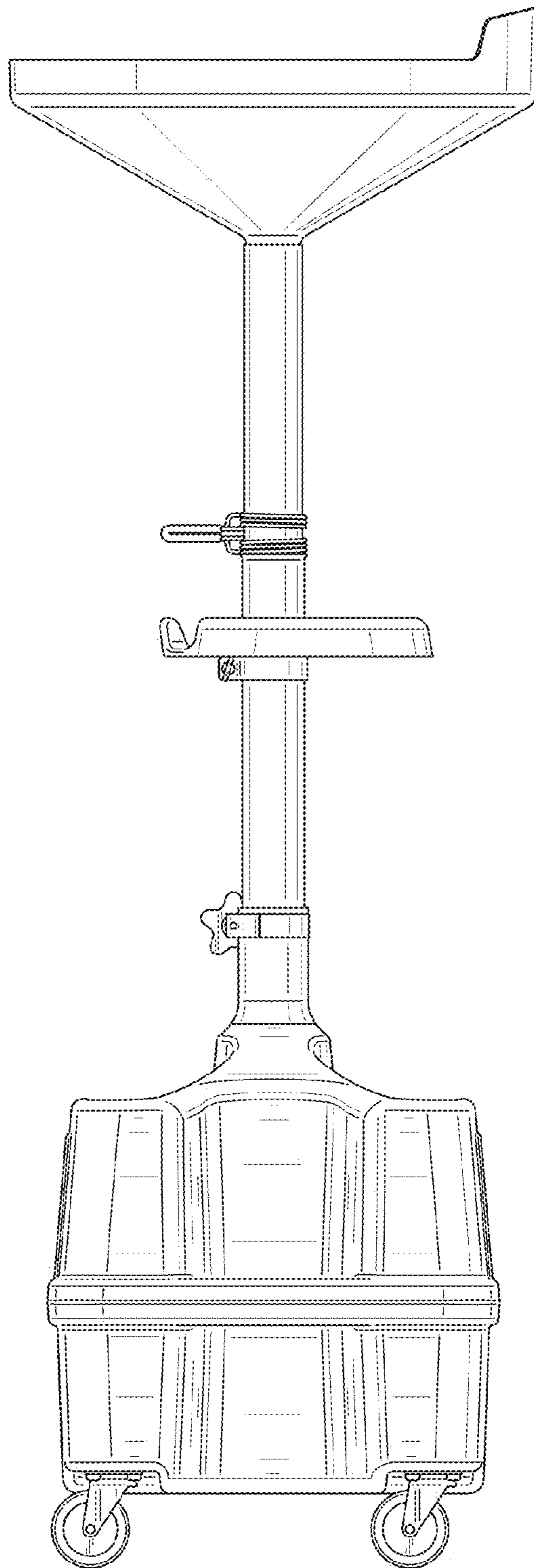


FIG. 5

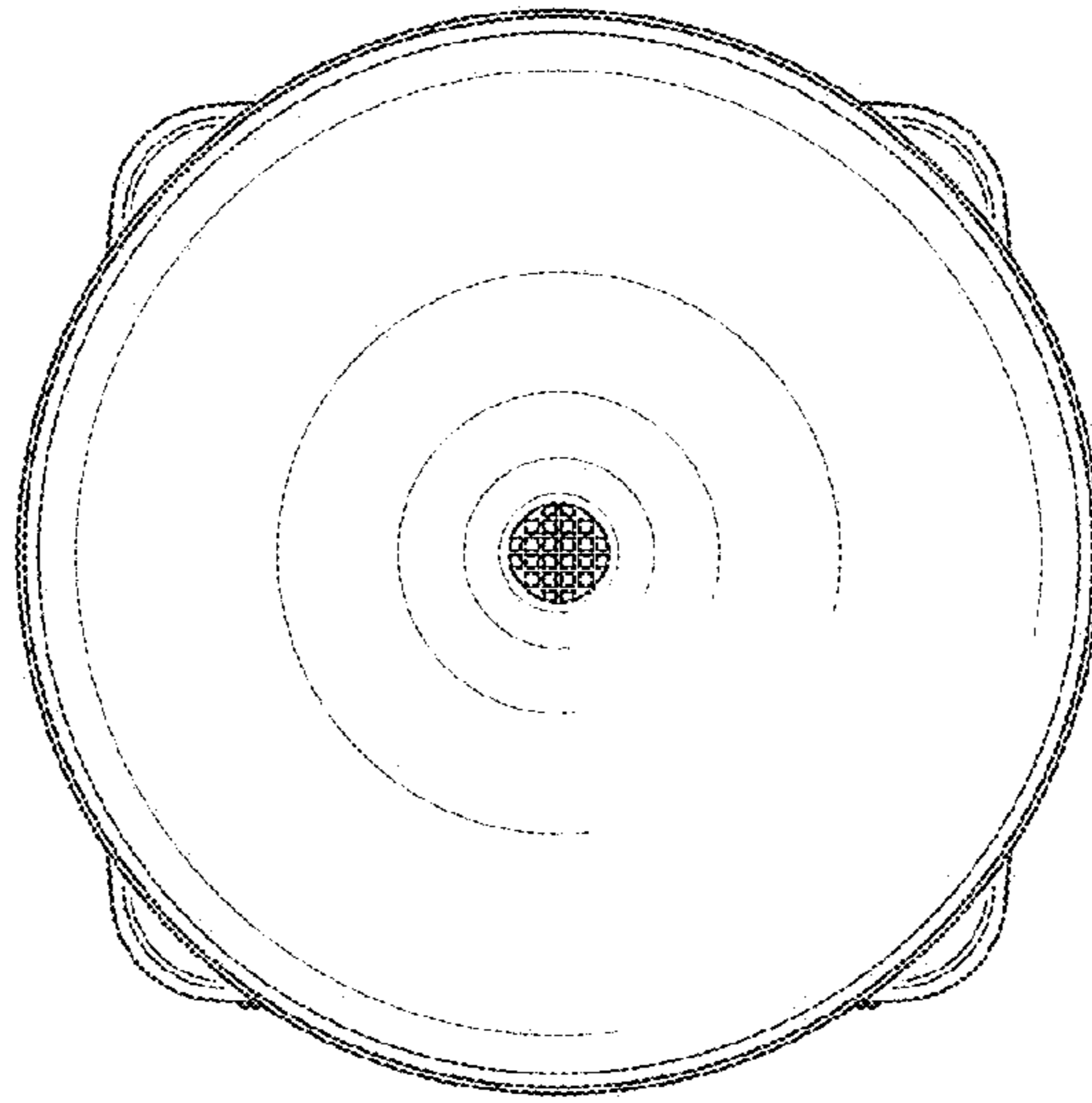


FIG. 6

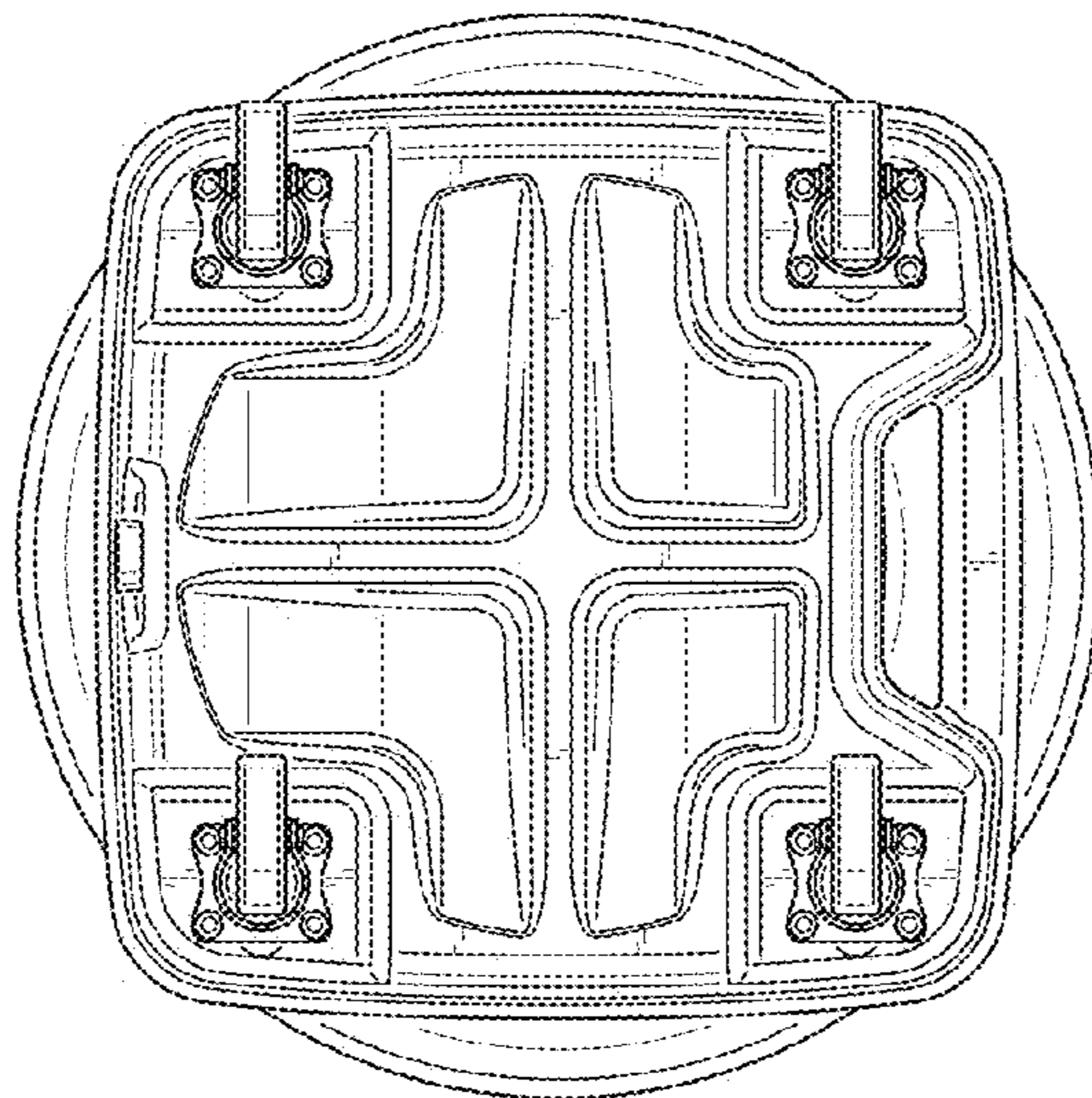


FIG. 7