



US00D736289S

(12) **United States Design Patent**
Cross

(10) **Patent No.:** **US D736,289 S**

(45) **Date of Patent:** **** Aug. 11, 2015**

(54) **INTEGRATED MOTOR ASSEMBLY**

(71) Applicant: **ASI TECHNOLOGIES, INC.**,
Montgomeryville, PA (US)

(72) Inventor: **John Cross**, Montgomeryville, PA (US)

(73) Assignee: **ASI TECHNOLOGIES, INC.**,
Montgomeryville, PA (US)

(**) Term: **14 Years**

(21) Appl. No.: **29/448,235**

(22) Filed: **Mar. 11, 2013**

(51) **LOC (10) Cl.** **15-09**

(52) **U.S. Cl.**
USPC **D15/149**; D15/199

(58) **Field of Classification Search**
USPC D13/112–114, 122, 199; D15/1, 5, 143,
D15/148, 149, 199; 310/10, 42, 51, 58, 85,
310/91, 109, 236, 239, 245, 254, 255
See application file for complete search history.

(56) **References Cited**

U.S. PATENT DOCUMENTS

D314,844 S *	2/1991	Baharad	D24/110
D522,027 S *	5/2006	Saito	D15/148
D552,643 S *	10/2007	Bonomi	D15/199
D589,138 S *	3/2009	Kenyon et al.	D24/110
D597,573 S *	8/2009	Lin et al.	D15/149
D642,676 S *	8/2011	Kenyon	D24/110

D649,983 S *	12/2011	Hancock et al.	D15/89
D660,891 S *	5/2012	Sannomiya	D15/143
D680,141 S *	4/2013	Sannomiya	D15/148
D697,103 S *	1/2014	Sigmund	D15/148
2008/0136278 A1 *	6/2008	Lee	310/89
2008/0224553 A1 *	9/2008	Abe et al.	310/71
2009/0019773 A1 *	1/2009	Gruhn et al.	49/28
2011/0109177 A1 *	5/2011	Crevling, Jr.	310/71
2011/0133584 A1 *	6/2011	Uchimura	310/83
2012/0288380 A1 *	11/2012	Kaiser et al.	417/321
2013/0167680 A1 *	7/2013	Lam et al.	74/467
2013/0221775 A1 *	8/2013	Pribisic	310/71
2014/0247002 A1 *	9/2014	Wilson et al.	318/490

* cited by examiner

Primary Examiner — Patricia Palasik

(74) *Attorney, Agent, or Firm* — Baker & Hostetler LLP

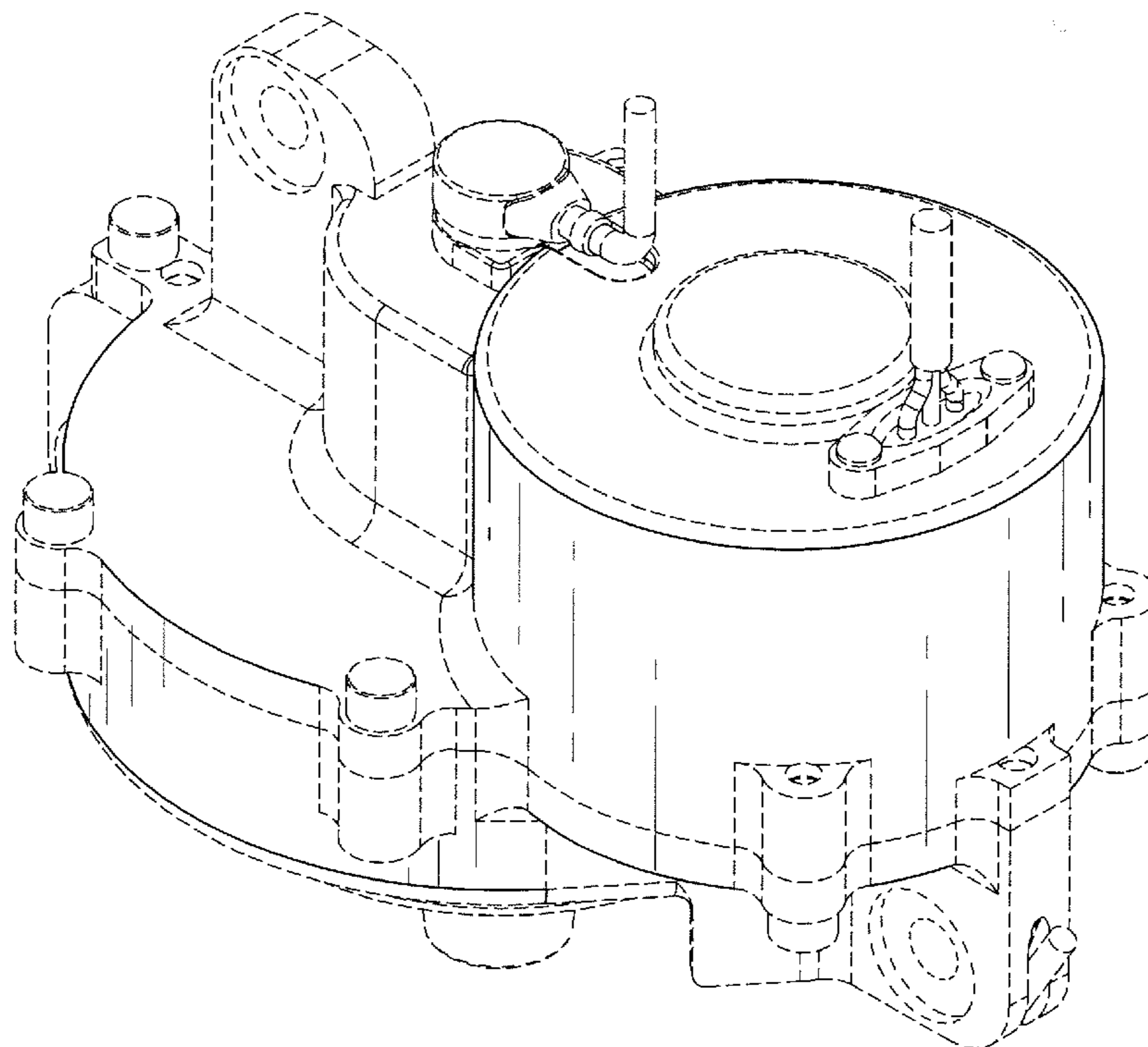
(57) **CLAIM**

The ornamental design for an integrated motor assembly, as shown and described.

DESCRIPTION

FIG. 1 is a top perspective view of an integrated motor assembly according to a first embodiment of our new design; FIG. 2 is a bottom perspective view thereof; FIG. 3 is a top view thereof; FIG. 4 is a side view thereof; FIG. 5 is a rear side view thereof; FIG. 6 is a front side view thereof; FIG. 7 is a bottom view thereof; and, FIG. 8 is a side view thereof.

1 Claim, 4 Drawing Sheets



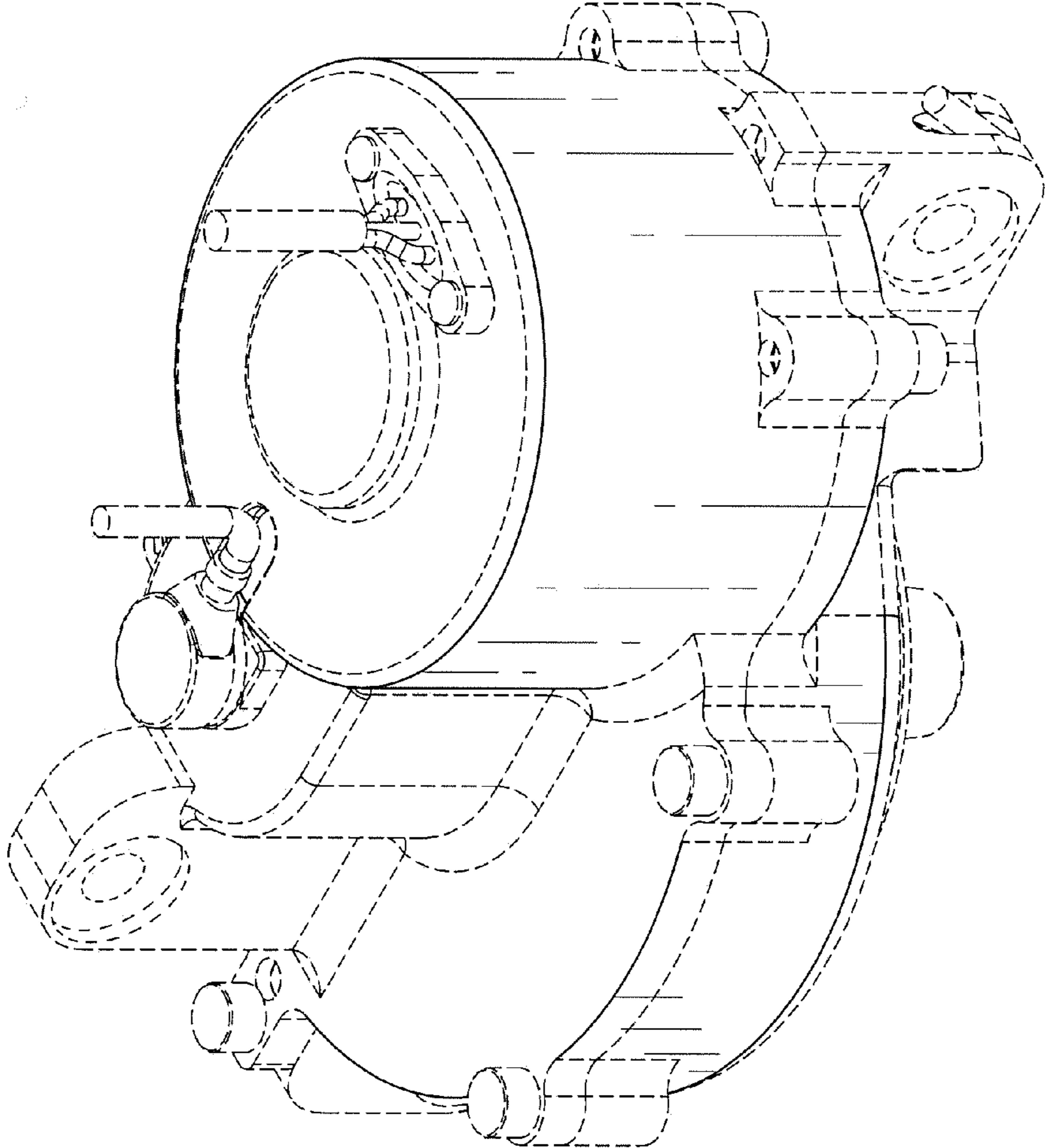


FIG. 1

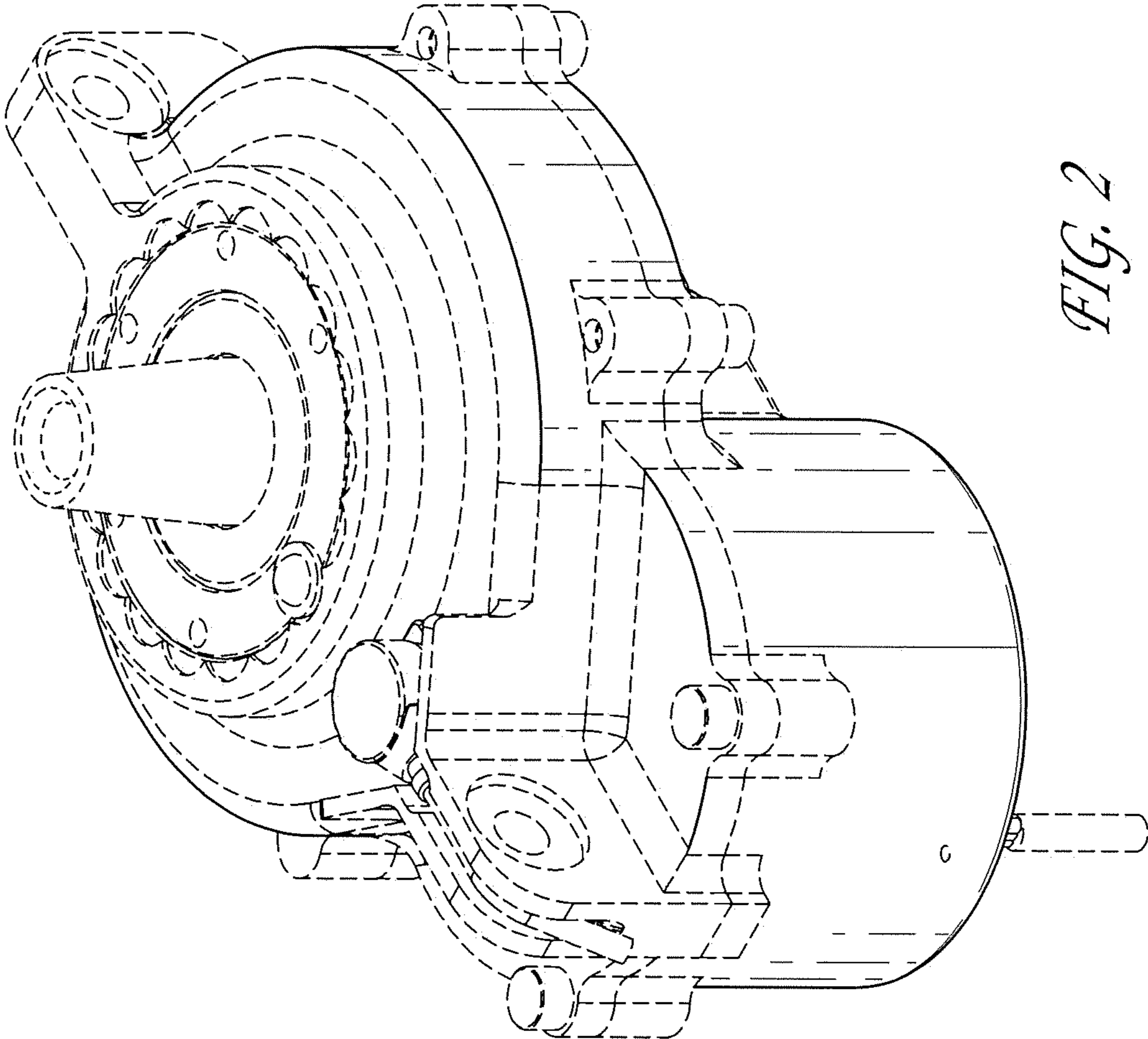
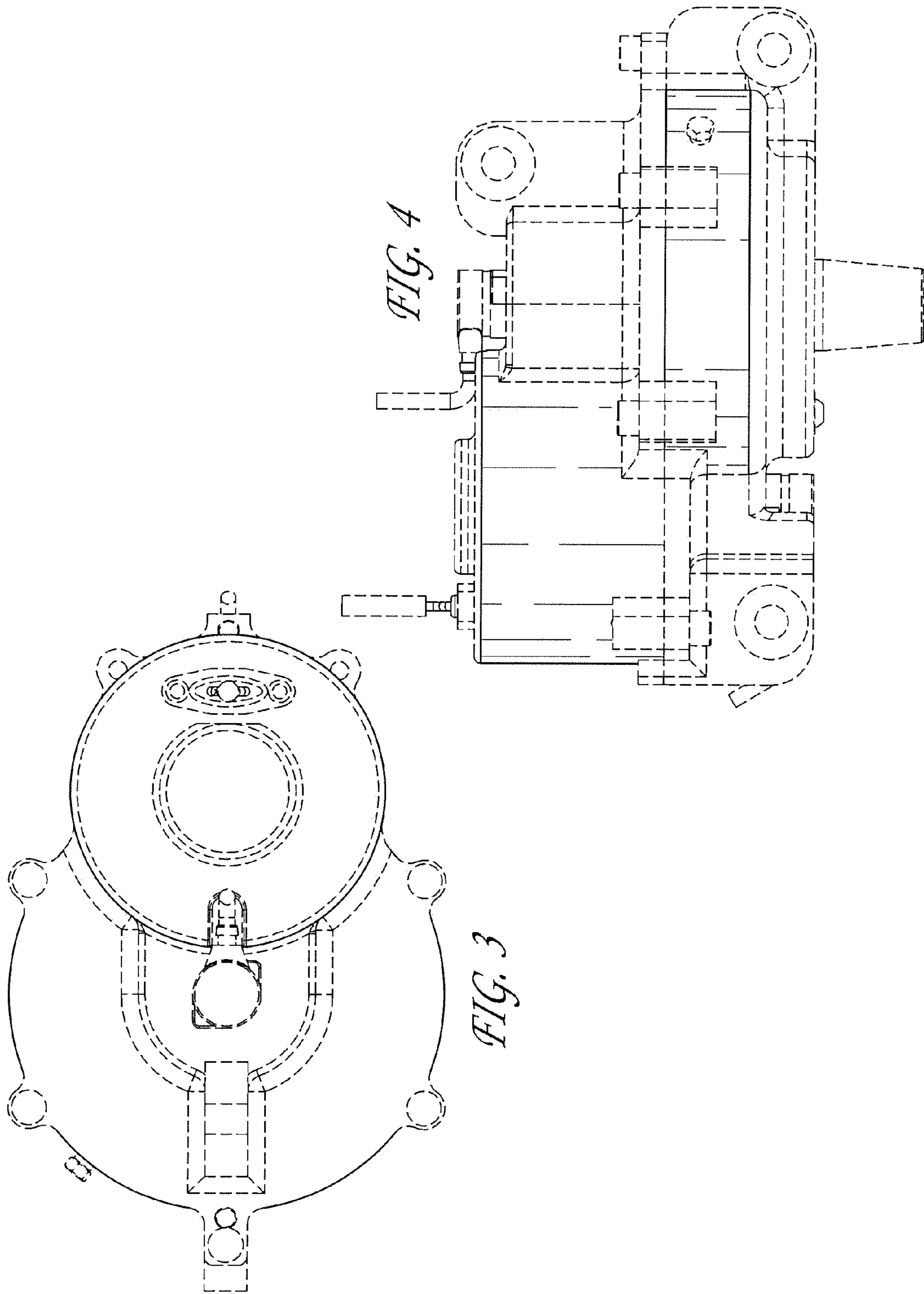


FIG. 2



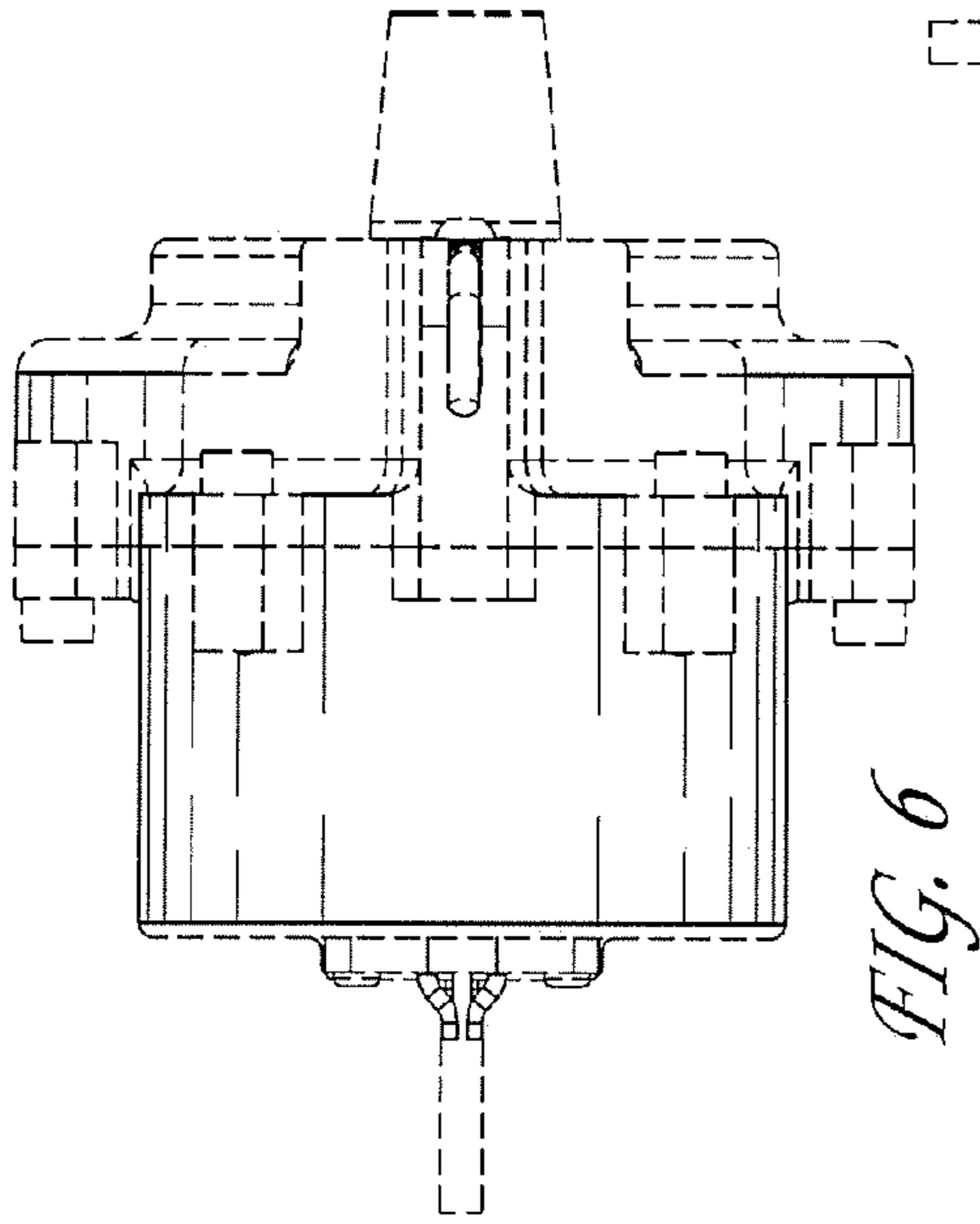


FIG. 5

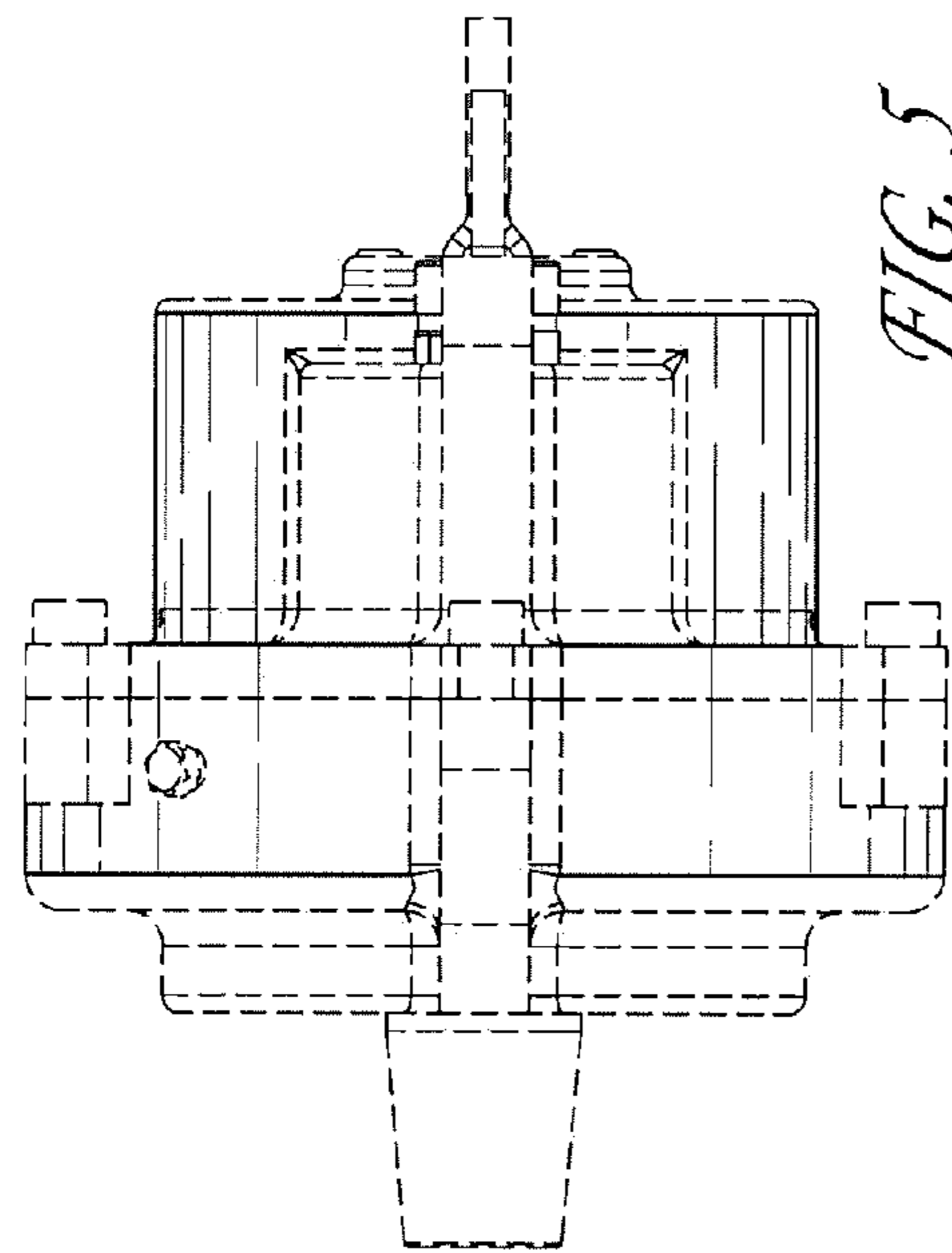


FIG. 6

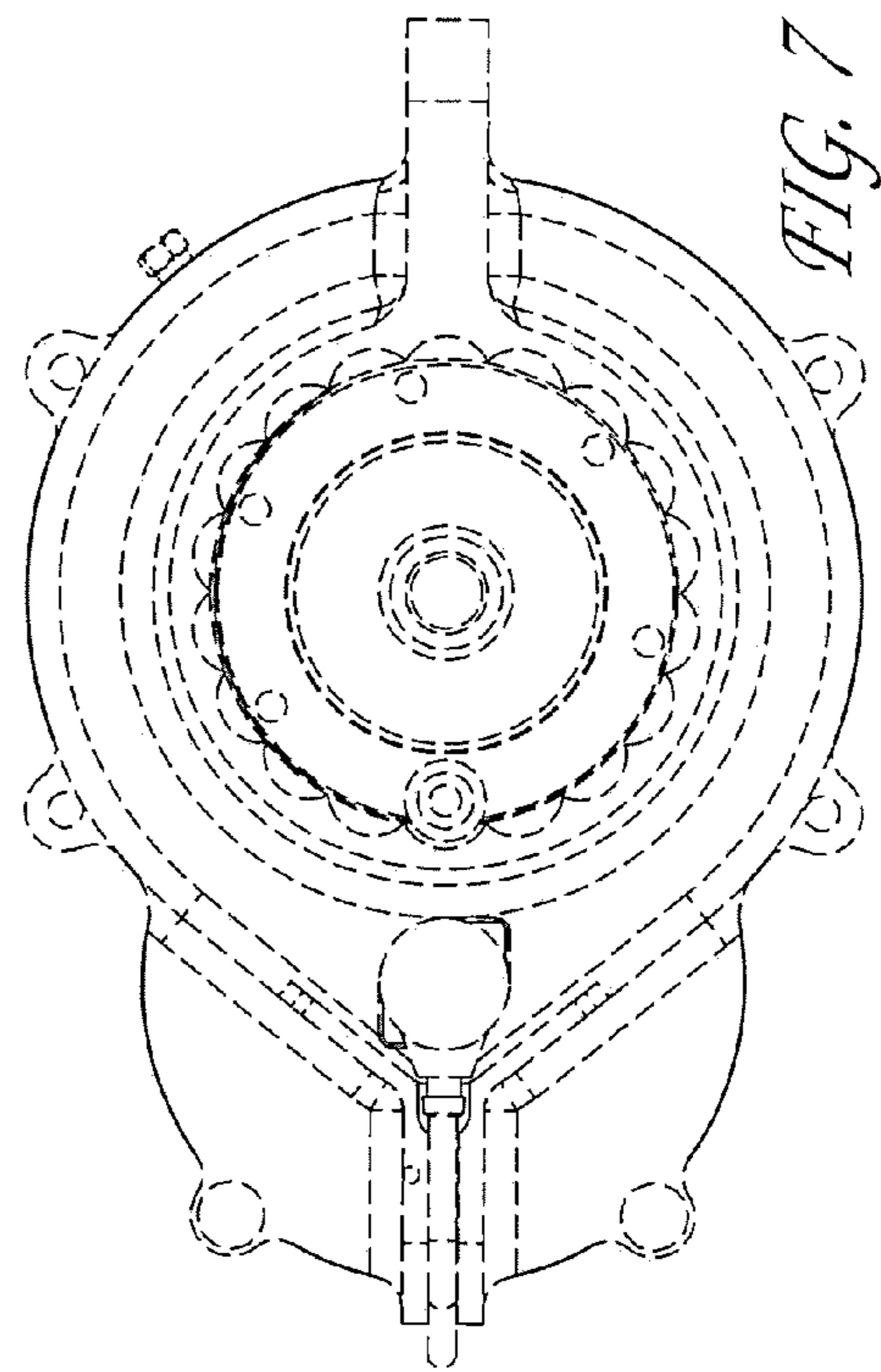


FIG. 7

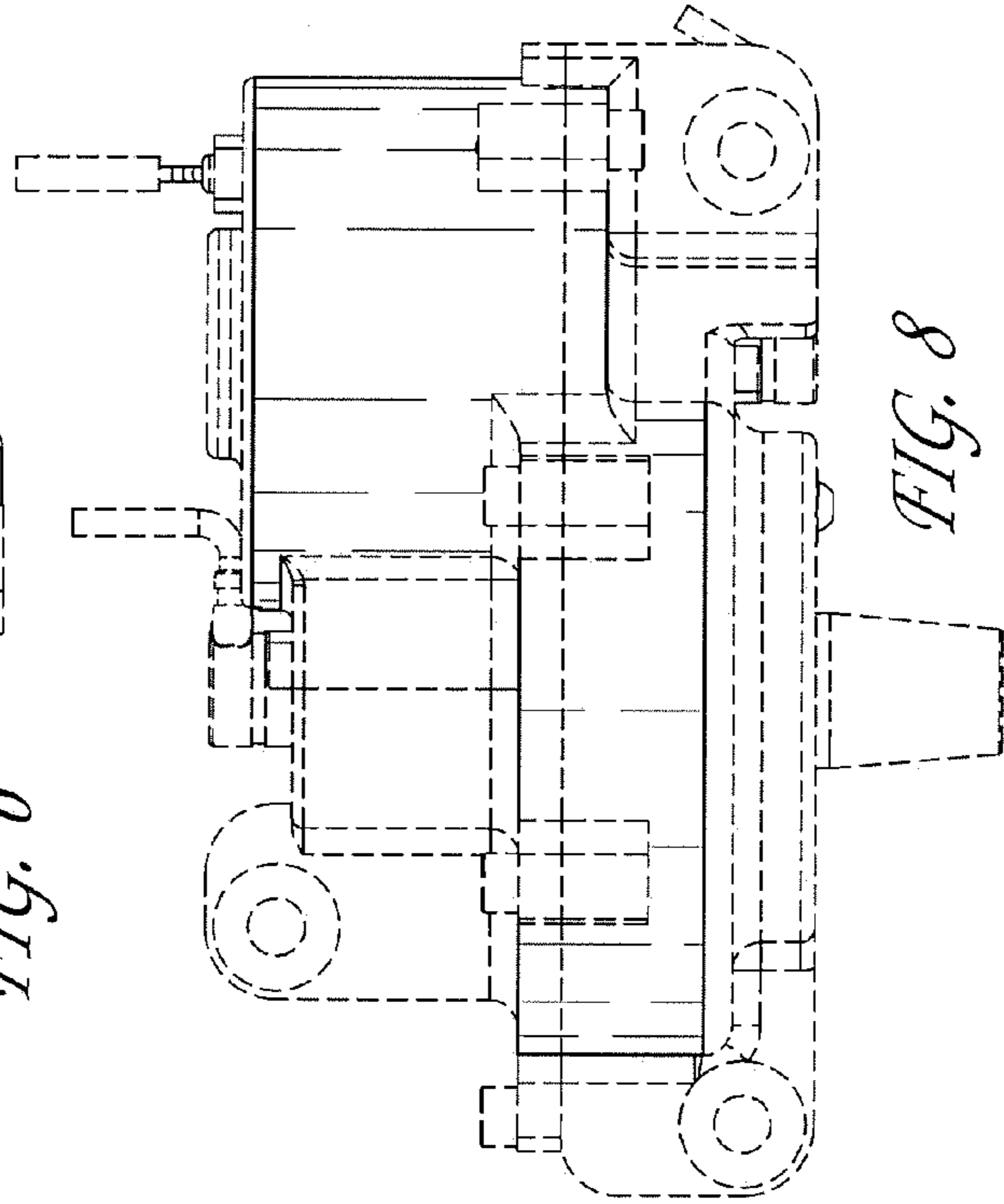


FIG. 8