



US00D736284S

(12) **United States Design Patent**  
**Maurer**

(10) **Patent No.:** **US D736,284 S**

(45) **Date of Patent:** **\*\* Aug. 11, 2015**

- (54) **IDLER**
- (71) Applicant: **SMW-AUTOBLOK Spannsysteme GmbH, Meckenbeuren (DE)**
- (72) Inventor: **Eckhard Maurer, Oberteuringen (DE)**
- (73) Assignee: **SMW-AUTOBLOK Spannsysteme GmbH (DE)**

4,386,811 A *	6/1983	Heemskerk et al. ....	384/523
D298,632 S *	11/1988	Grawey et al. ....	D15/28
D330,208 S *	10/1992	Hawley .....	D15/143
D372,254 S *	7/1996	Hirayama et al. ....	D15/143
6,209,206 B1 *	4/2001	Harris et al. ....	29/898.043
D444,802 S *	7/2001	Dyson et al. ....	D15/143
D459,732 S *	7/2002	Sasaki et al. ....	D15/3
D660,890 S *	5/2012	Ito et al. ....	D15/143
2003/0117031 A1 *	6/2003	Wang et al. ....	310/90.5

\* cited by examiner

(\*\*) Term: **14 Years**

*Primary Examiner* — Patricia Palasik

(21) Appl. No.: **29/436,579**

(74) *Attorney, Agent, or Firm* — Pandiscio & Pandiscio

(22) Filed: **Nov. 7, 2012**

(57) **CLAIM**

(51) **LOC (10) Cl.** ..... **15-09**

The ornamental design for an idler, substantially as shown and described.

(52) **U.S. Cl.**

USPC ..... **D15/143**

**DESCRIPTION**

(58) **Field of Classification Search**

USPC ..... D15/28, 138, 143; 29/481; 277/419;  
384/273, 274, 295, 300, 412, 428, 537;  
473/588

CPC ..... F16C 23/045; F16C 33/3843; F16C  
33/3887; F16C 39/063; H02K 7/09

See application file for complete search history.

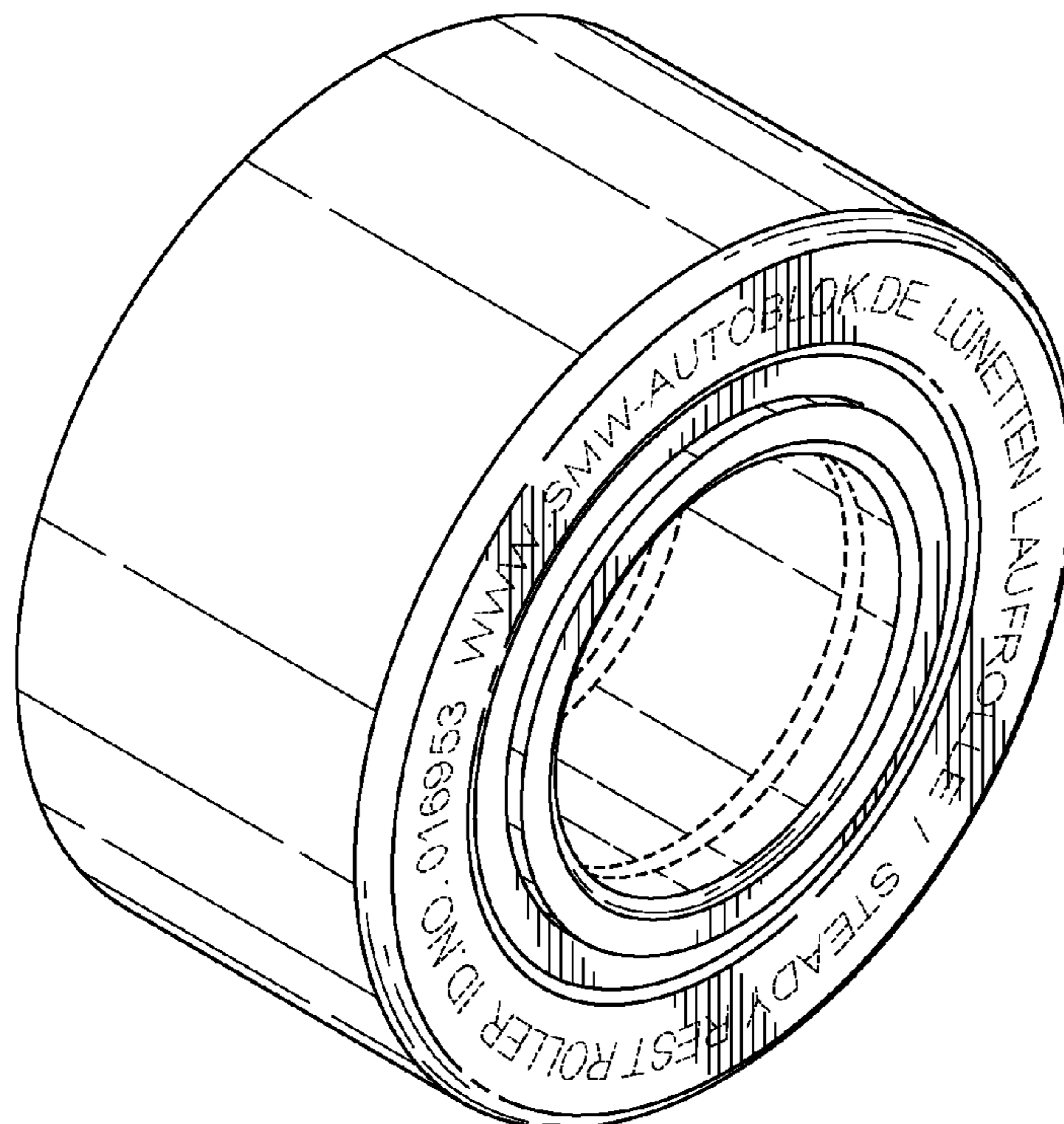
FIG. 1 is a perspective view of an idler, showing the new design;  
FIG. 2 is a side elevational view thereof;  
FIG. 3 is an opposite side elevational view thereof;  
FIG. 4 is a top plan view thereof;  
FIG. 5 is a bottom plan view thereof;  
FIG. 6 is a front elevational view thereof; and,  
FIG. 7 is a rear elevational view thereof.  
The broken lines in the drawings depict unclaimed environmental subject matter.

(56) **References Cited**

**U.S. PATENT DOCUMENTS**

4,040,686 A *	8/1977	F'Geppert .....	384/527
4,080,015 A *	3/1978	Greby et al. ....	384/206

**1 Claim, 5 Drawing Sheets**



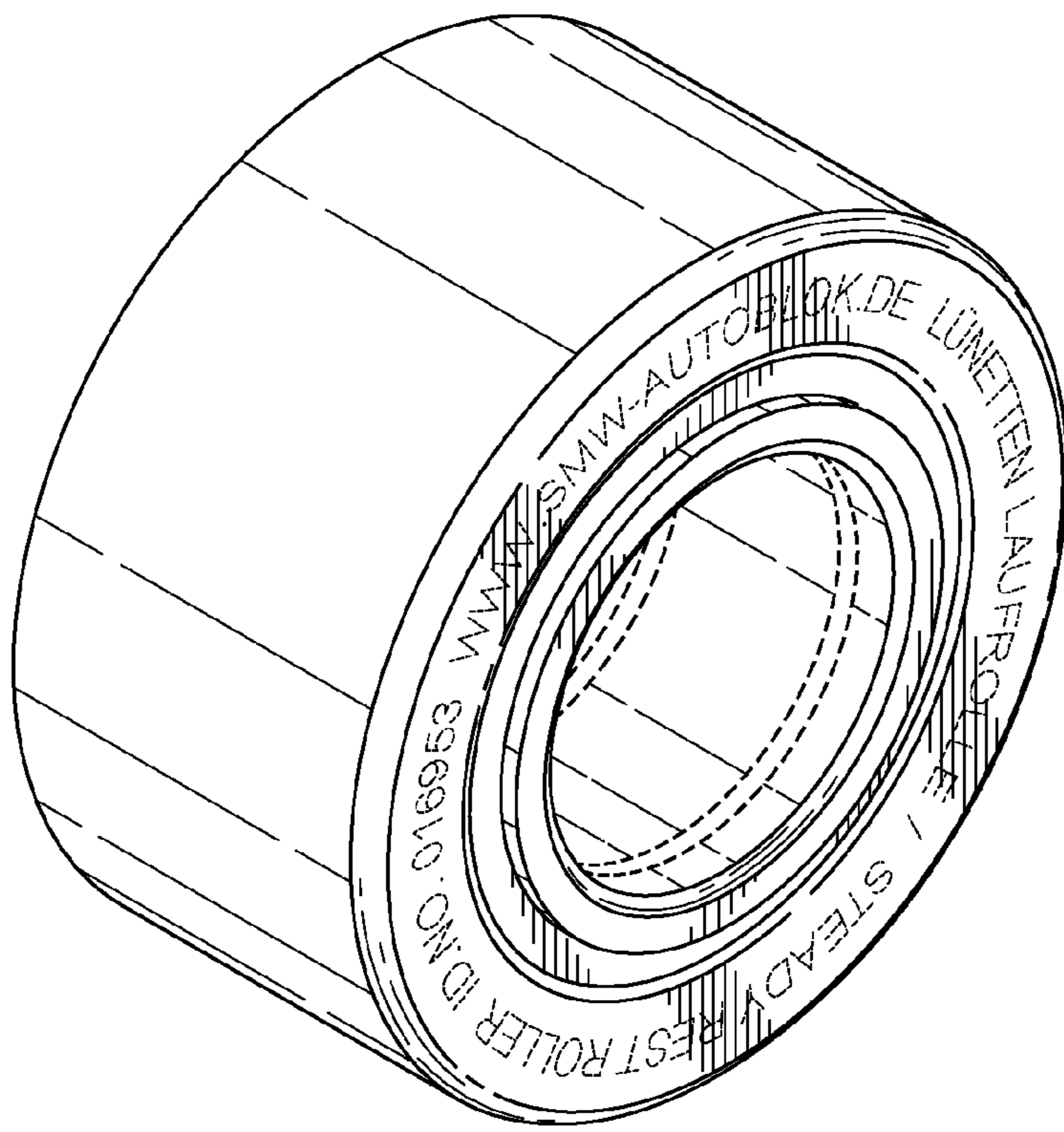


FIG. 1



FIG. 2

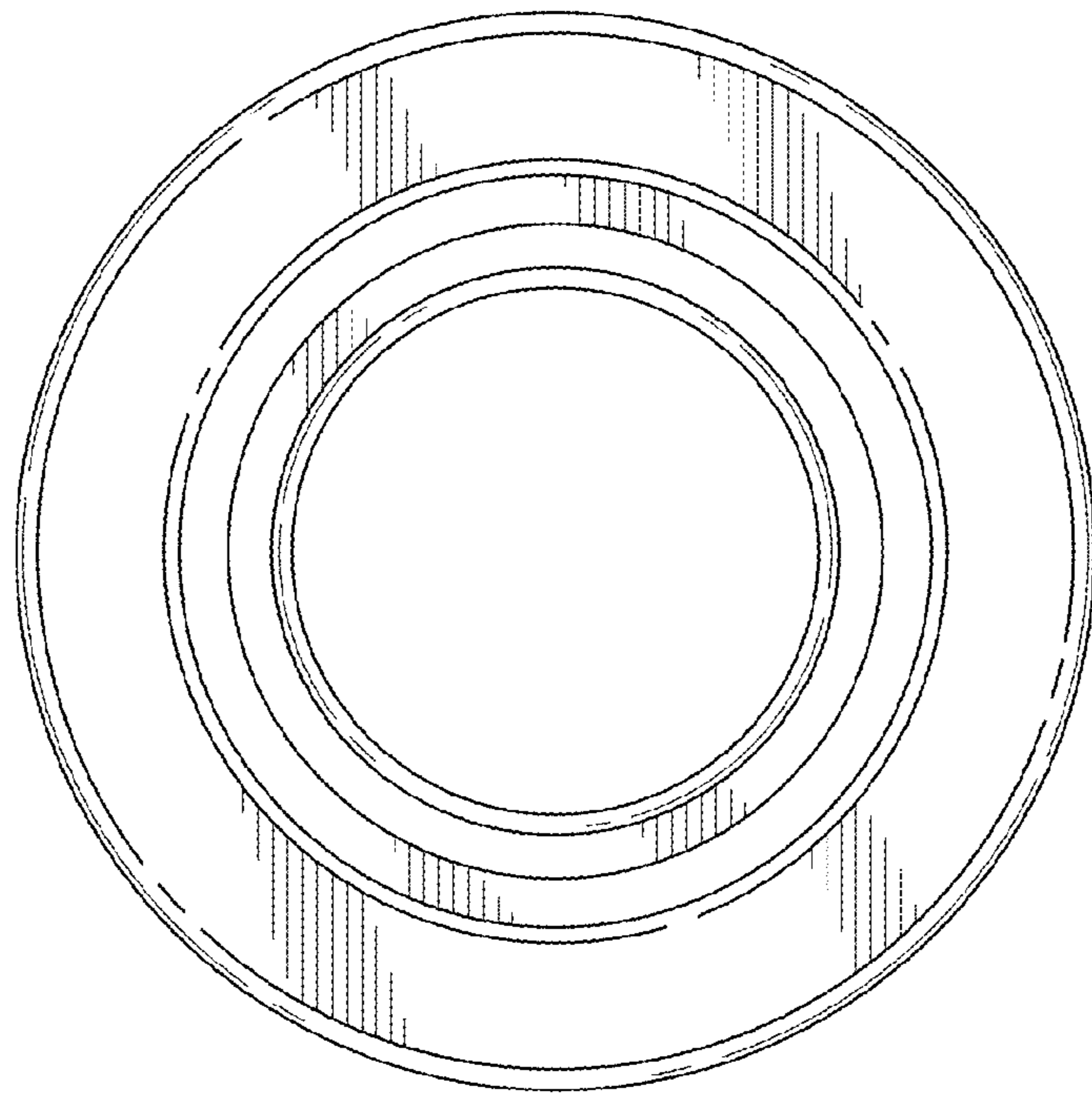


FIG. 3

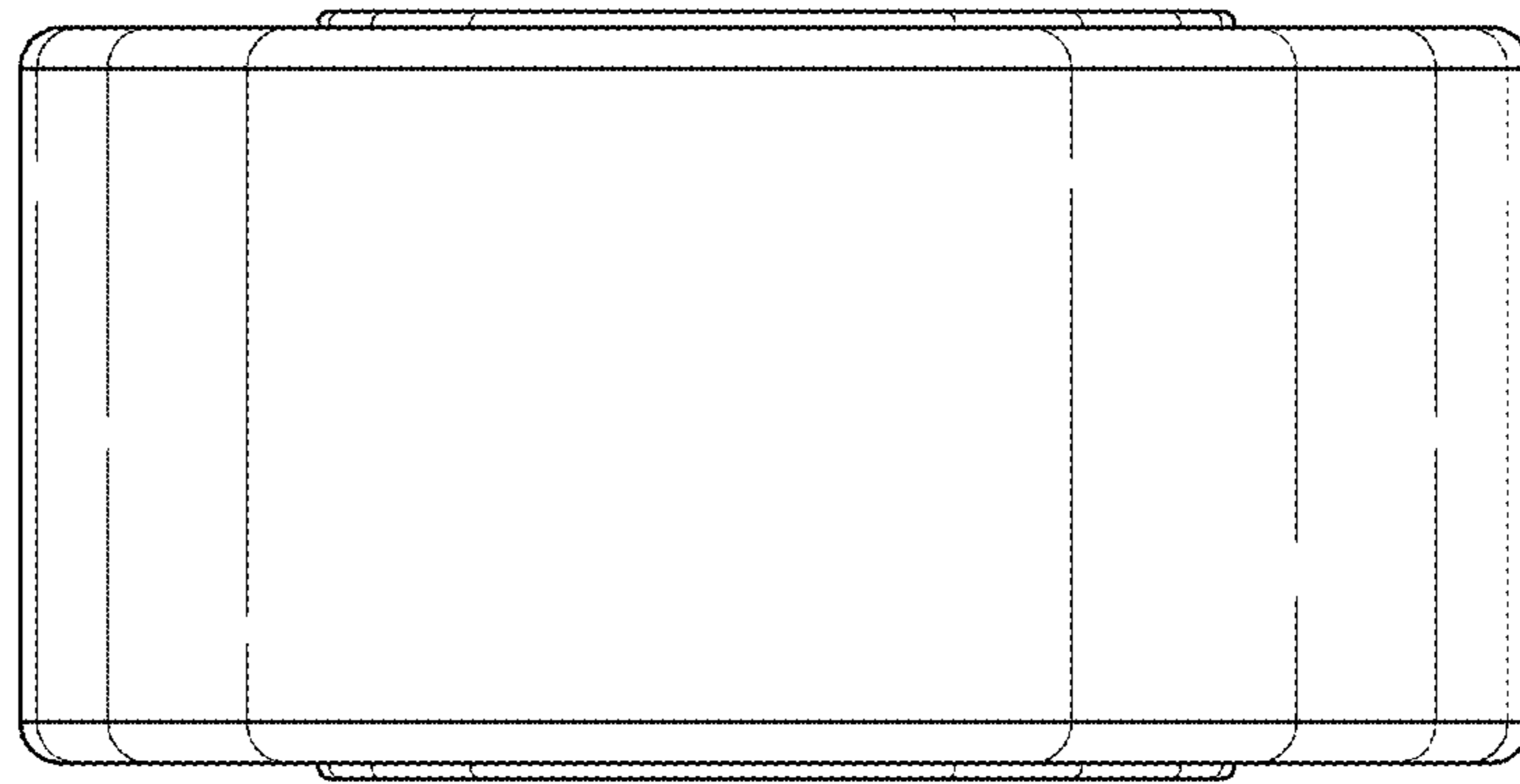


FIG. 4

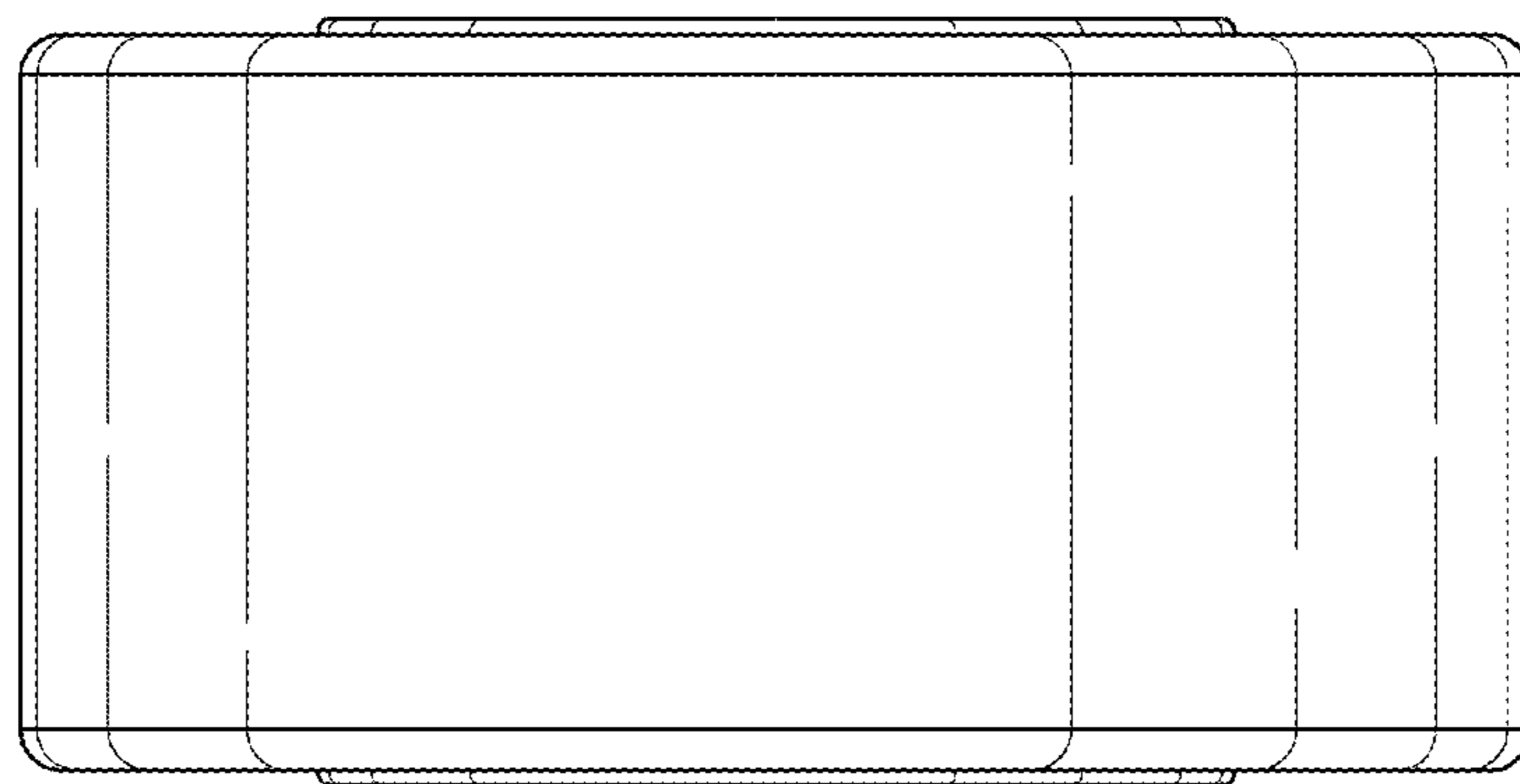


FIG. 5

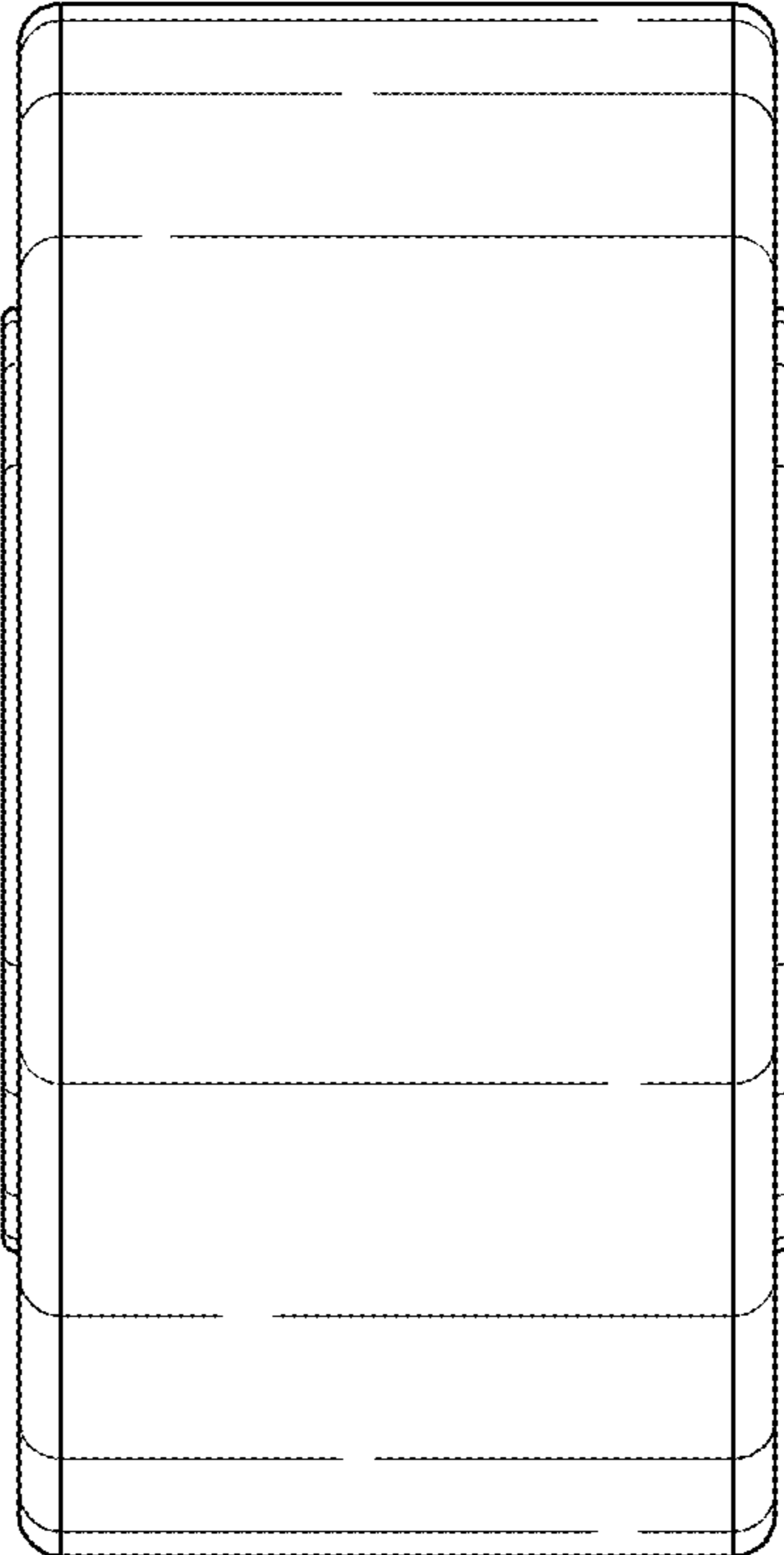


FIG. 6

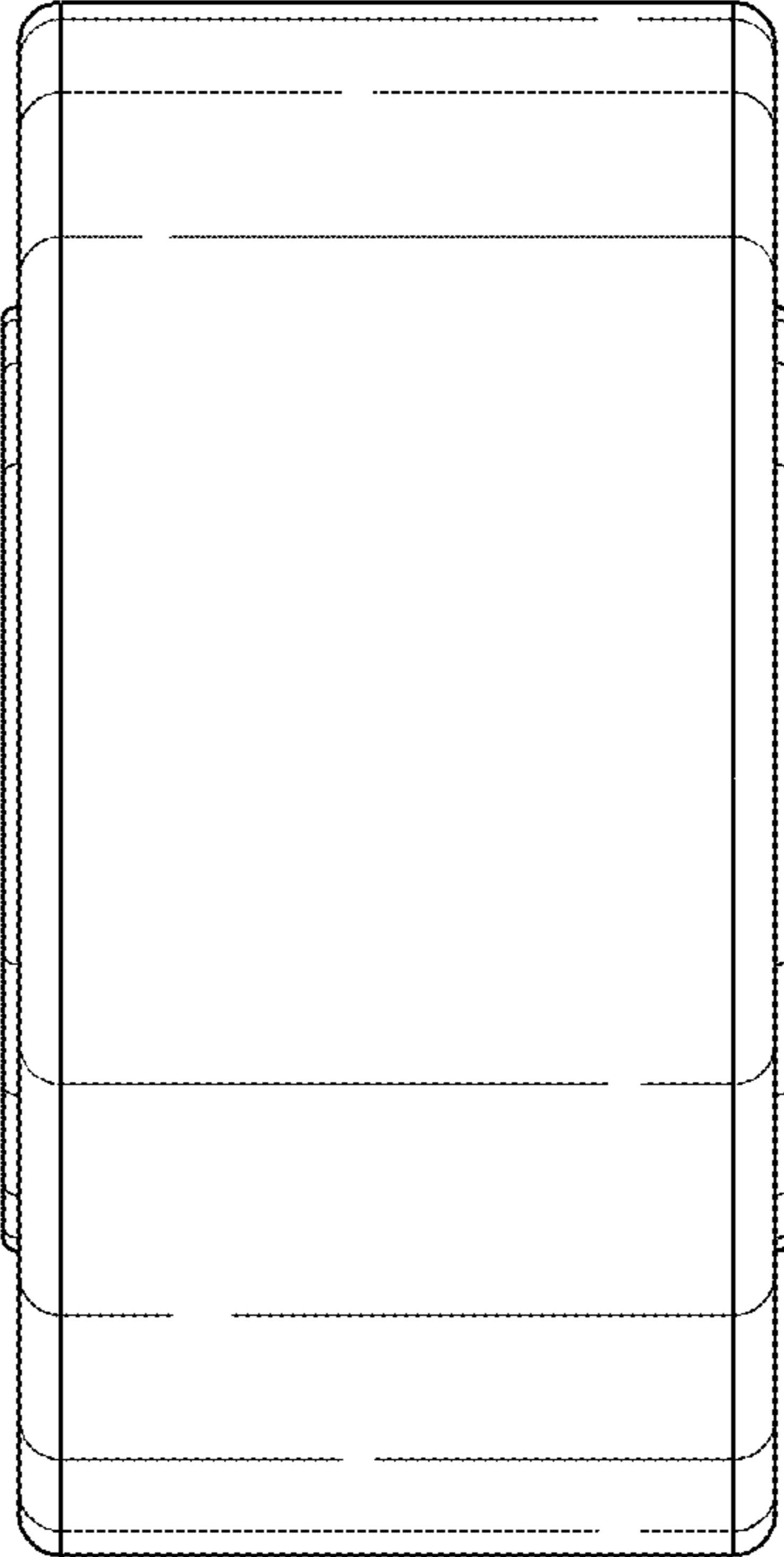


FIG. 7