

US00D736282S

(12) **United States Design Patent**
Choi et al.

(10) **Patent No.:** **US D736,282 S**
(45) **Date of Patent:** **** Aug. 11, 2015**

(54) **CUTTING INSERT**

(71) Applicant: **TaeguTec Ltd.**, Dalseong-gun, Daegu (KR)

(72) Inventors: **Chang Hee Choi**, Daegu (KR); **Chang Gyu Park**, Daegu (KR)

(73) Assignee: **TaeguTec Ltd.**, Daegu (KR)

(**) Term: **14 Years**

(21) Appl. No.: **29/502,522**

(22) Filed: **Sep. 17, 2014**

(51) **LOC (10) Cl.** **15-09**

(52) **U.S. Cl.**
USPC **D15/139**

(58) **Field of Classification Search**
USPC D15/139, 140, 138; D7/70, 20;
407/113, 114
CPC B23B 27/145; B23B 27/1622; B23B
2200/048; B23B 2200/204; B23B 2200/085;
B23B 2200/0423; B23C 5/207; B23C 5/205;
B23C 2200/125; B23C 2200/0416; B23C
2200/0477; B23C 2200/0494
See application file for complete search history.

(56) **References Cited**

U.S. PATENT DOCUMENTS

3,568,284 A * 3/1971 Luden 407/113
3,613,197 A * 10/1971 Stier 407/113
D255,453 S * 6/1980 Piotrowski D15/140
D256,247 S * 8/1980 Piotrowski D15/140
D264,042 S * 4/1982 Inaga et al. D8/20

4,632,608 A * 12/1986 Blomberg et al. 407/114
D342,268 S * 12/1993 Meyer D15/139
D424,073 S * 5/2000 Sodergard D15/138
6,527,485 B1 * 3/2003 Little 407/24
D493,476 S * 7/2004 Apfel et al. D15/139
D532,023 S * 11/2006 Frey D15/139
8,573,905 B2 * 11/2013 Hecht 407/113
D708,238 S * 7/2014 Matti D15/139
D712,444 S * 9/2014 Dunnahoe D15/139
2008/0226403 A1 * 9/2008 Craig 407/113
2010/0329800 A1 * 12/2010 Edler et al. 407/114
2013/0071194 A1 * 3/2013 Hecht 407/113
2013/0336733 A1 * 12/2013 Hecht et al. 407/56
2014/0186130 A1 * 7/2014 Hecht 407/113

* cited by examiner

Primary Examiner — Susan Bennett Hattan

Assistant Examiner — Brett Miller

(74) *Attorney, Agent, or Firm* — Hamre, Schumann, Mueller & Larson, P.C.

(57) **CLAIM**

The ornamental design for a cutting insert, as shown.

DESCRIPTION

FIG. 1 is a perspective view of a cutting insert showing our new design;
FIG. 2 is a front elevational view thereof;
FIG. 3 is a rear elevational view thereof;
FIG. 4 is a left side view thereof;
FIG. 5 is a right side view thereof;
FIG. 6 is a top plan view thereof;
FIG. 7 is a bottom plan view thereof; and,
FIG. 8 is a cross-sectional view taken along line 8-8 of FIG. 2.

1 Claim, 4 Drawing Sheets

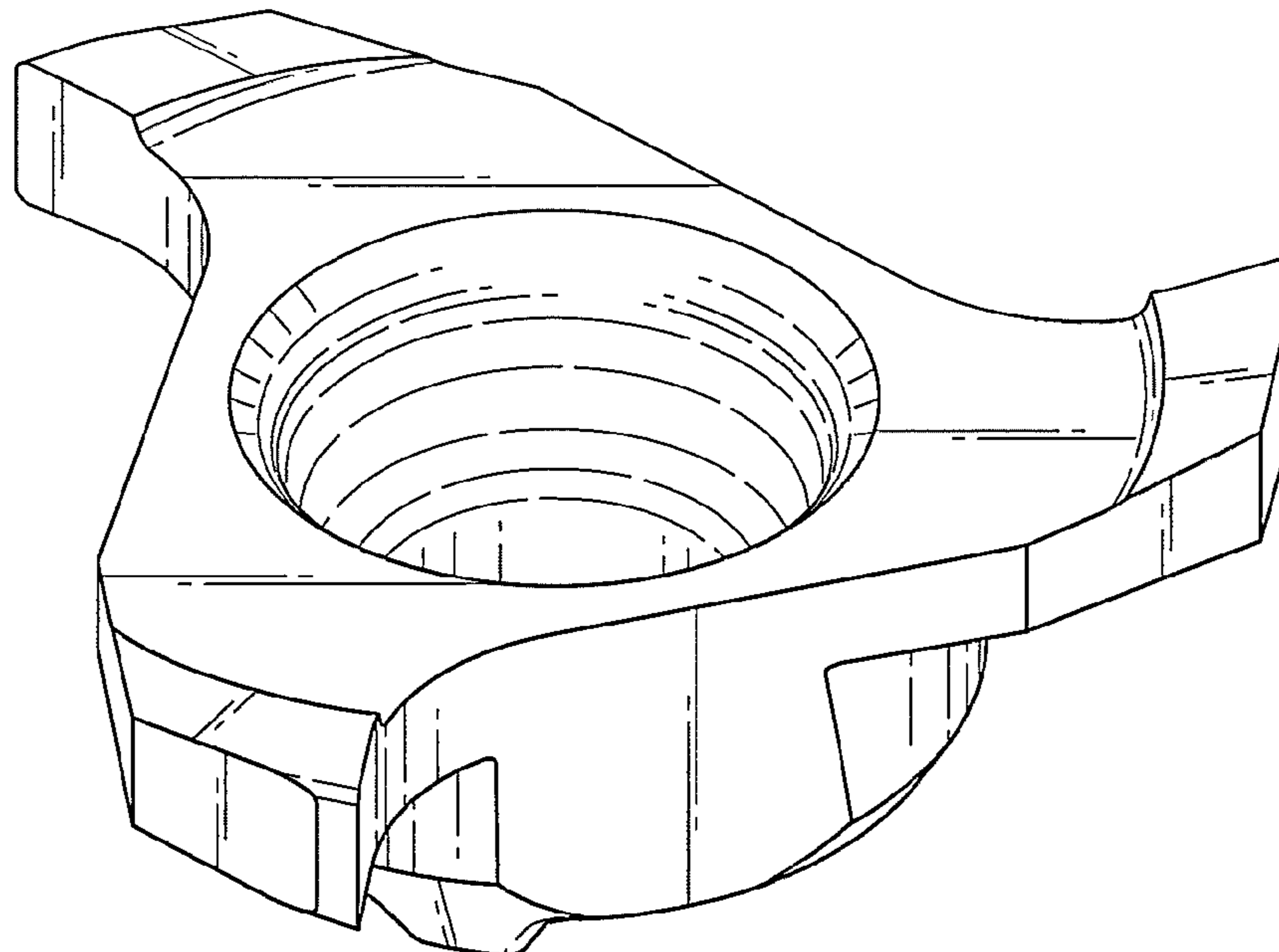


Fig. 1

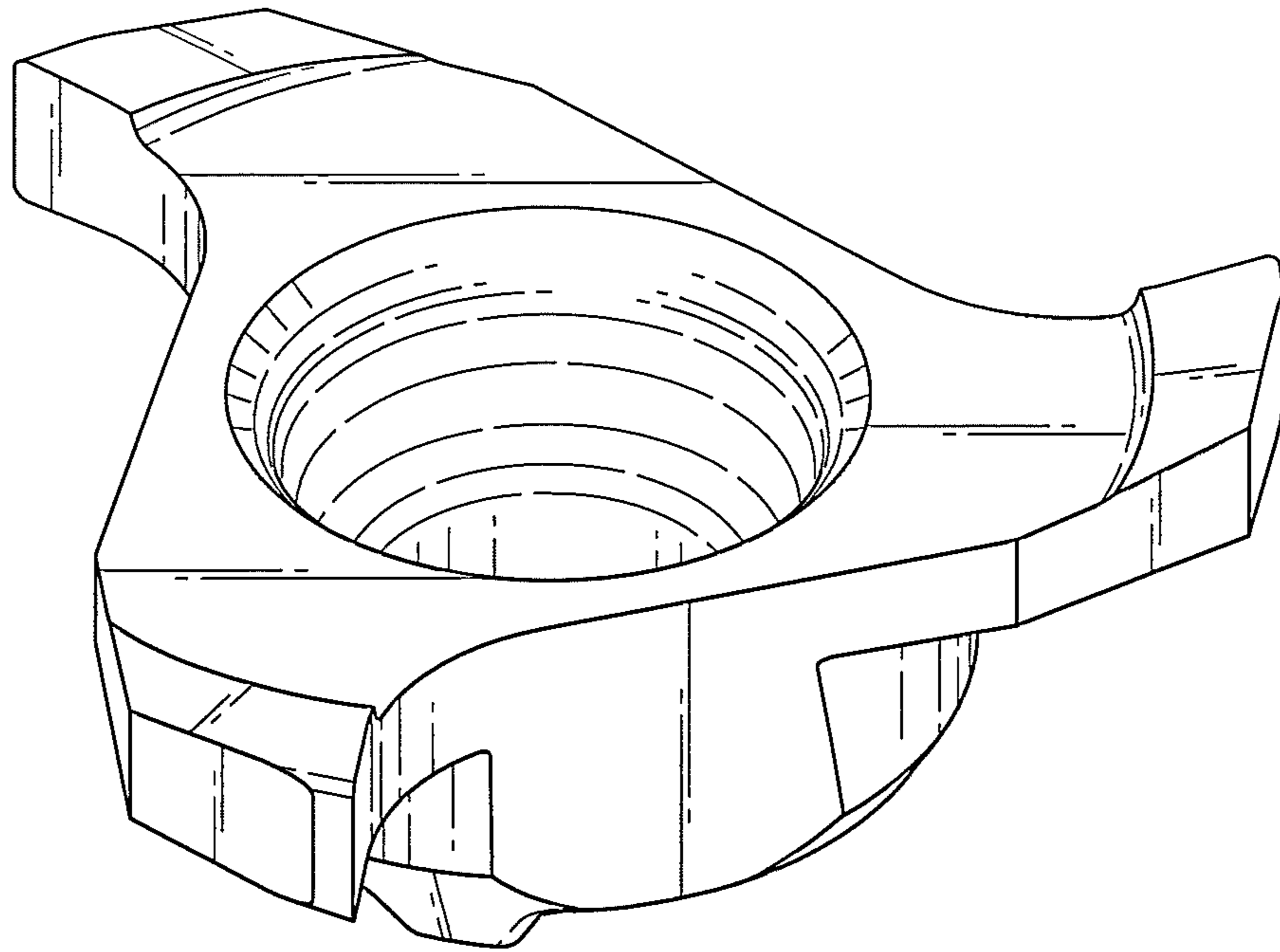


Fig. 2

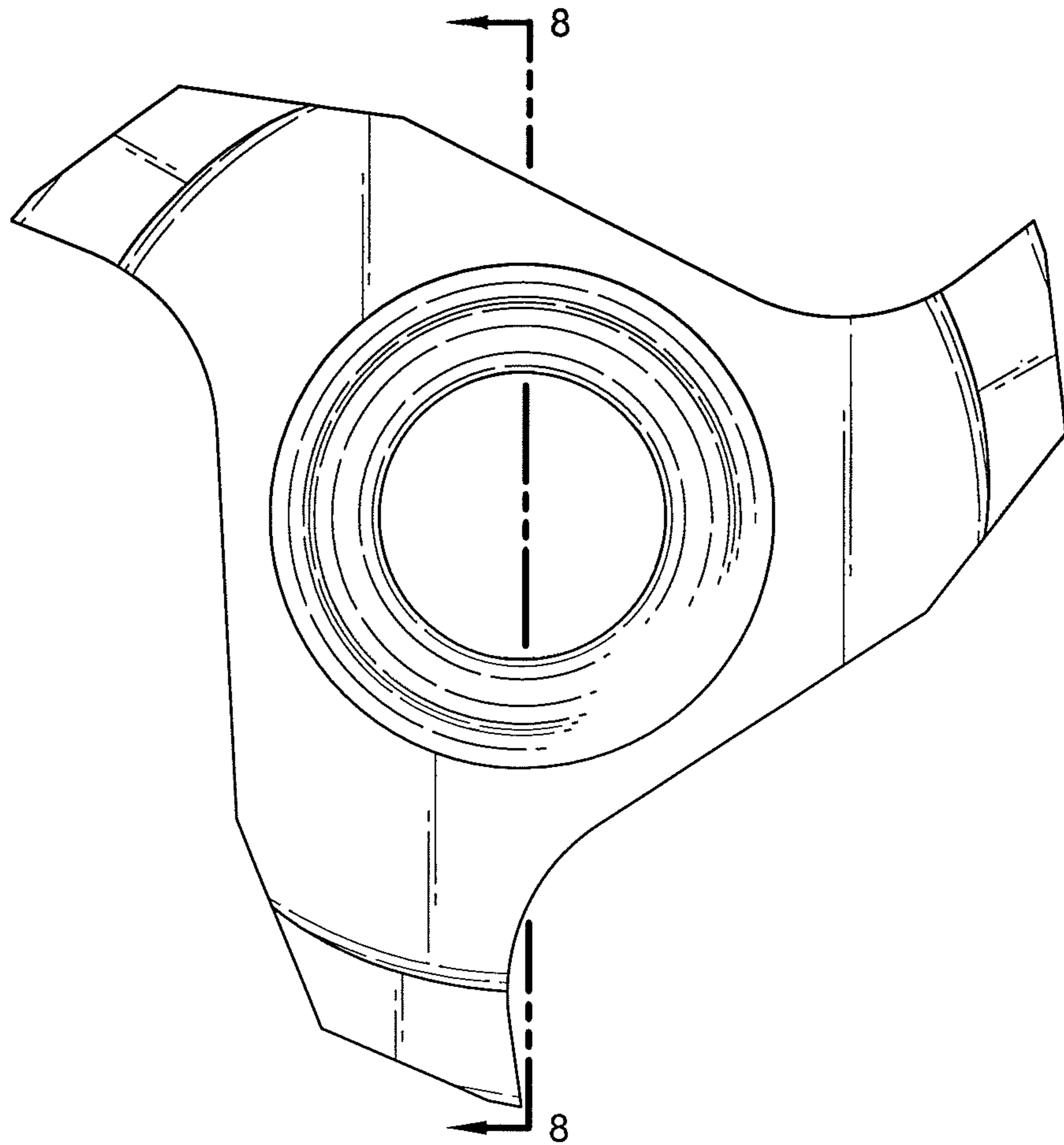


Fig. 3

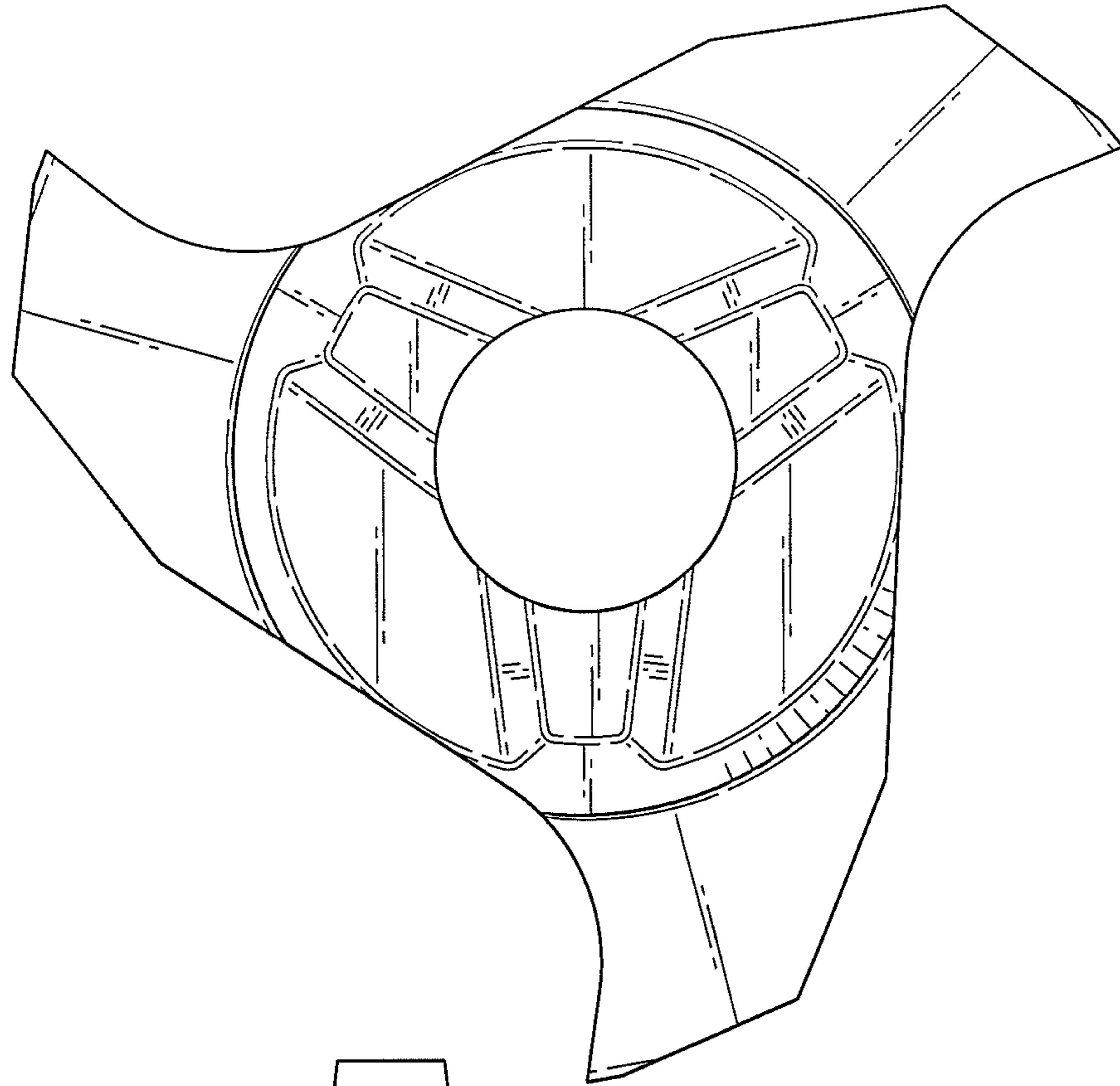


Fig. 4

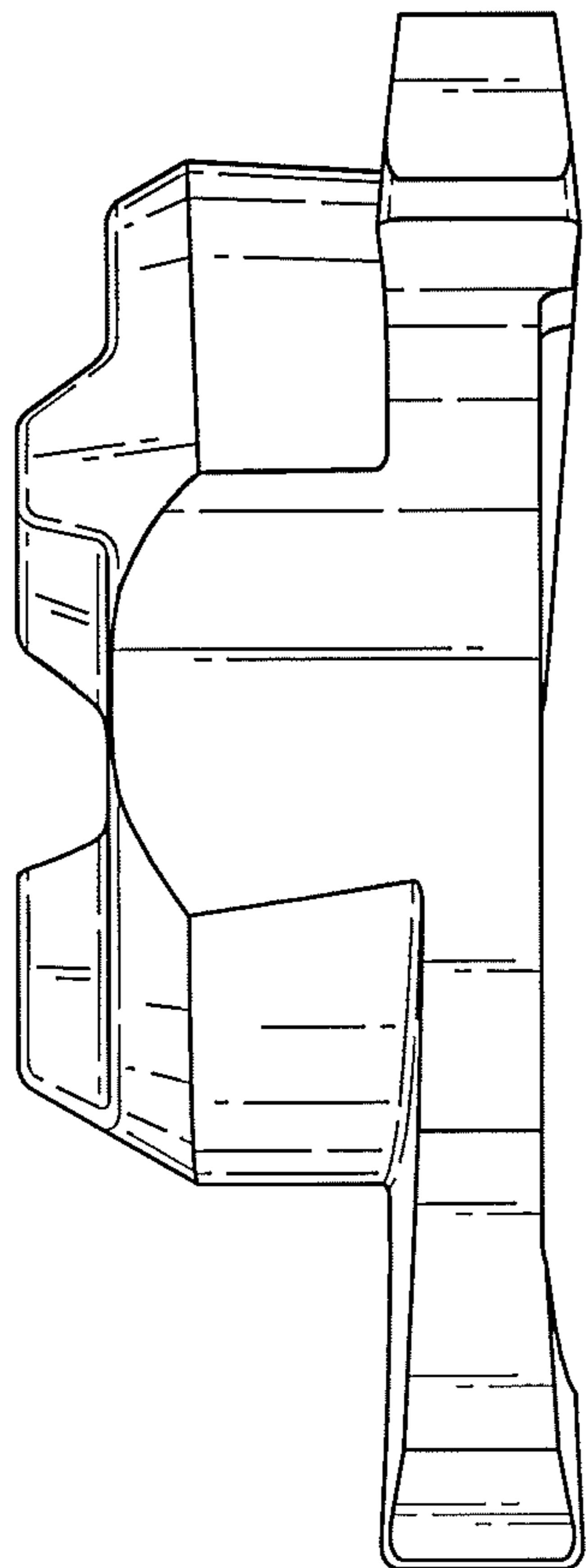


Fig. 5

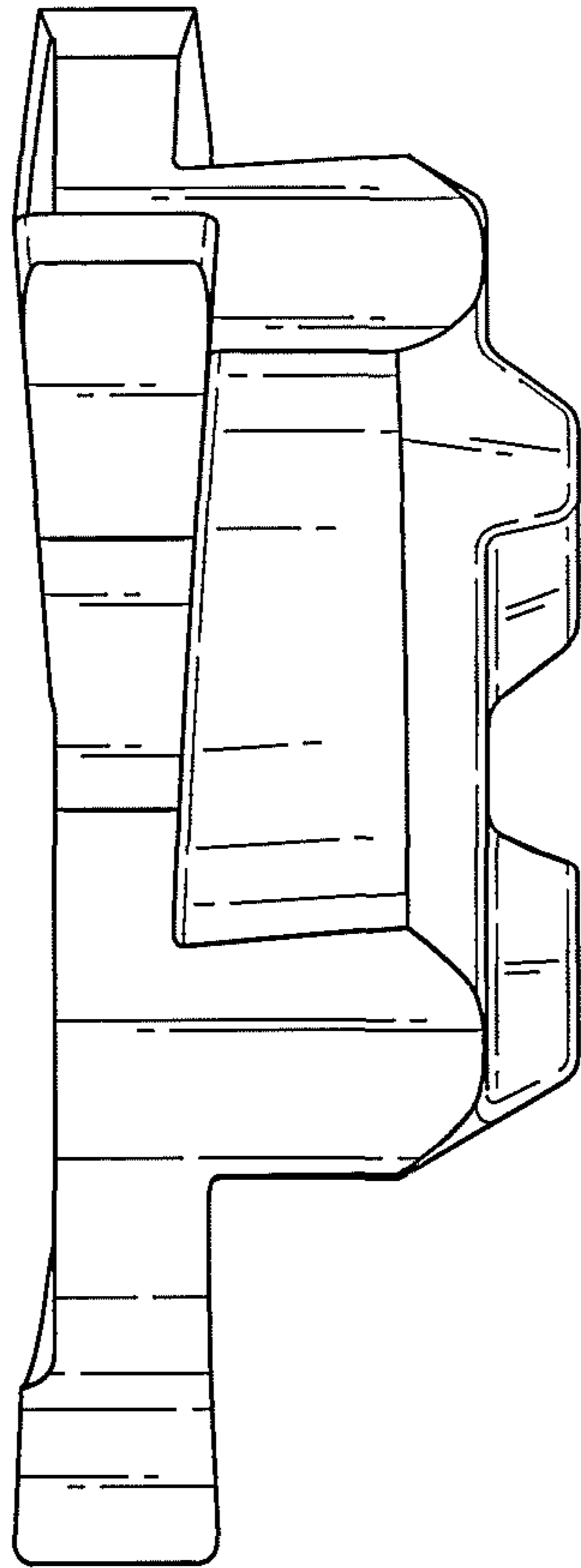


Fig. 6

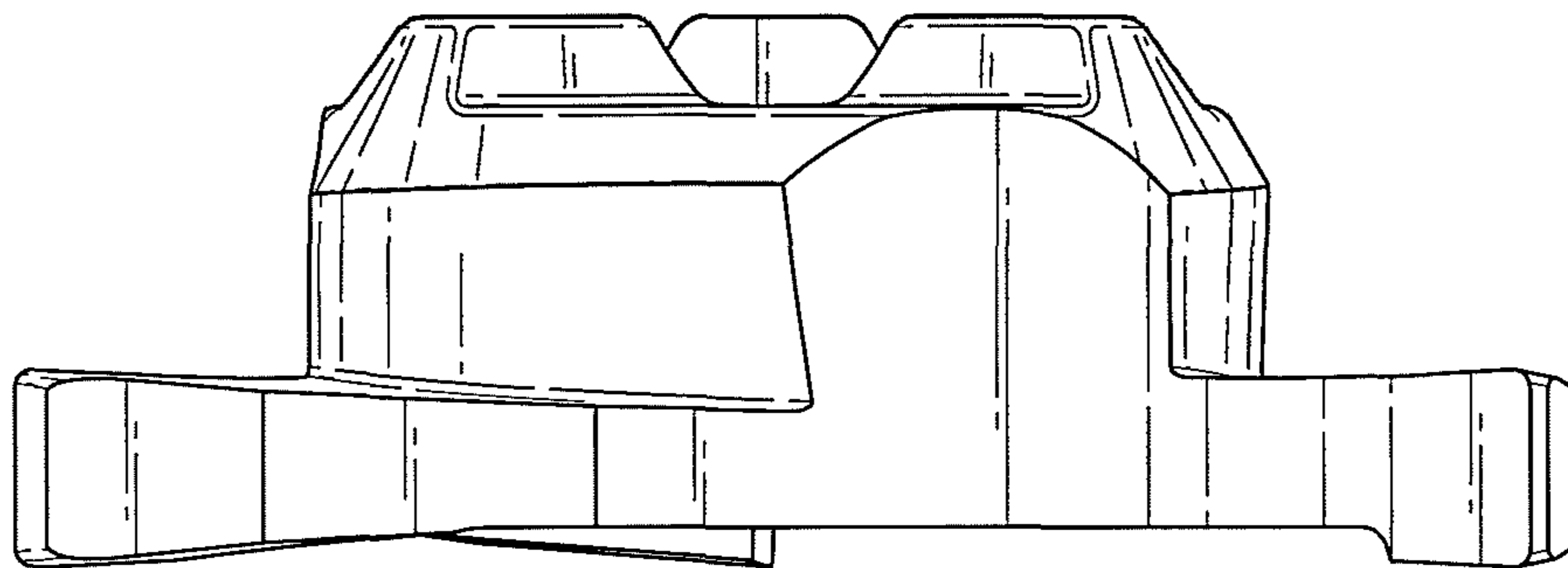


Fig. 7

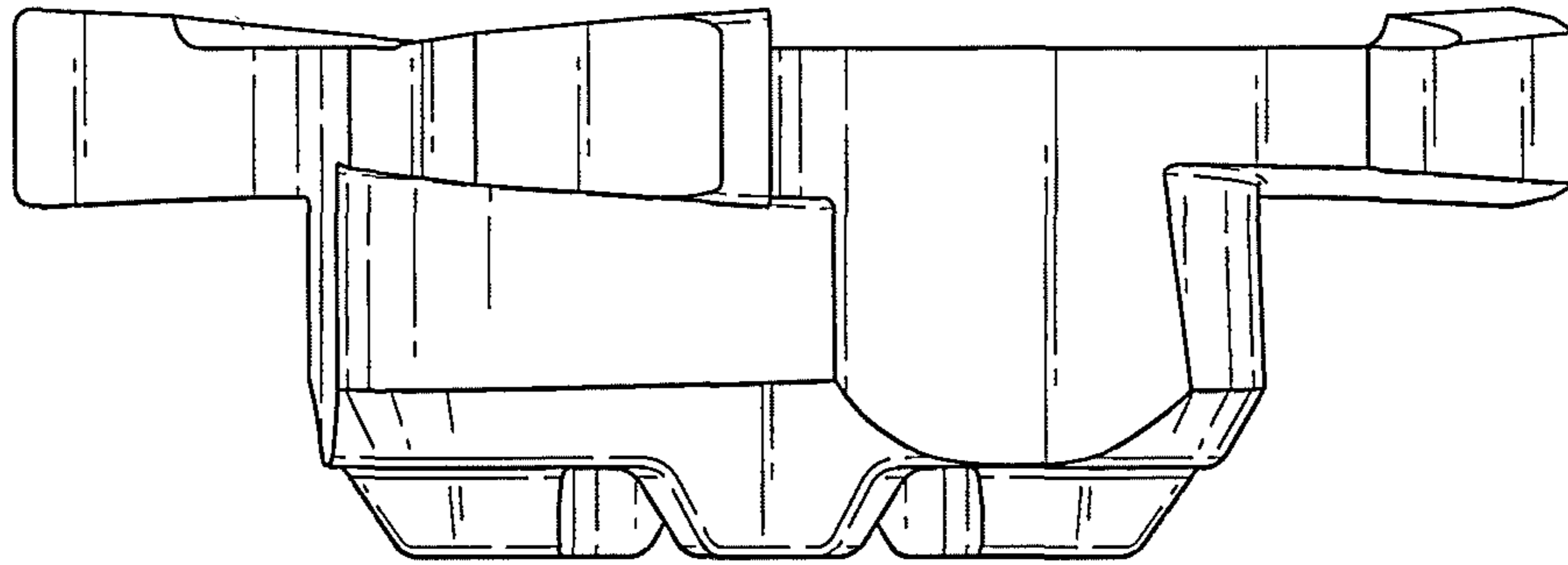


Fig. 8

