



US00D736281S

(12) **United States Design Patent**
Phillips et al.

(10) **Patent No.:** **US D736,281 S**

(45) **Date of Patent:** **** Aug. 11, 2015**

(54) **BELT CORE**

(71) Applicant: **Maxi-Lift, Inc.**, Addison, TX (US)

(72) Inventors: **Paul Phillips**, Frisco, TX (US); **Wade Randall Spencer**, Hutchinson, KS (US); **Jeffrey Carlisle Jowers**, Coppell, TX (US)

(73) Assignee: **Maxi-Lift, Inc.**, Addison, TX (US)

(**) Term: **14 Years**

(21) Appl. No.: **29/479,501**

(22) Filed: **Jan. 16, 2014**

(51) **LOC (10) Cl.** **15-09**

(52) **U.S. Cl.**
USPC **D15/138**

(58) **Field of Classification Search**
USPC D6/580; D15/138, 143, 199
See application file for complete search history.

(56) **References Cited**

U.S. PATENT DOCUMENTS

355,145	A *	12/1886	Gammeter	242/609
1,222,943	A *	4/1917	Davis et al.	242/613.5
1,527,912	A *	2/1925	Paul	474/255
4,666,100	A *	5/1987	Price	242/587.2
4,919,358	A *	4/1990	Innocenti et al.	242/611
4,989,802	A *	2/1991	Akao et al.	242/610.6
D477,626	S *	7/2003	Morello et al.	D18/12.1
6,609,678	B2 *	8/2003	Seybold et al.	242/611.2

6,958,697	B2 *	10/2005	Morello et al.	340/572.1
7,086,628	B2 *	8/2006	Neri	242/611.2
7,441,971	B2 *	10/2008	Pomfret	400/242
D628,051	S *	11/2010	Di Stefano	D8/358
D660,067	S *	5/2012	Di Stefano	D6/580
D681,992	S *	5/2013	Ng	D6/580
D694,040	S *	11/2013	Di Stefano	D6/580
D699,051	S *	2/2014	Wills	D6/580
D709,933	S *	7/2014	Wu	D15/143
2010/0101740	A1 *	4/2010	Licciardi Di Stefano	160/309

* cited by examiner

Primary Examiner — Patricia Palasik

(74) *Attorney, Agent, or Firm* — Gardere Wynne Sewell LLP

(57) **CLAIM**

The ornamental design for a belt core, as shown and described.

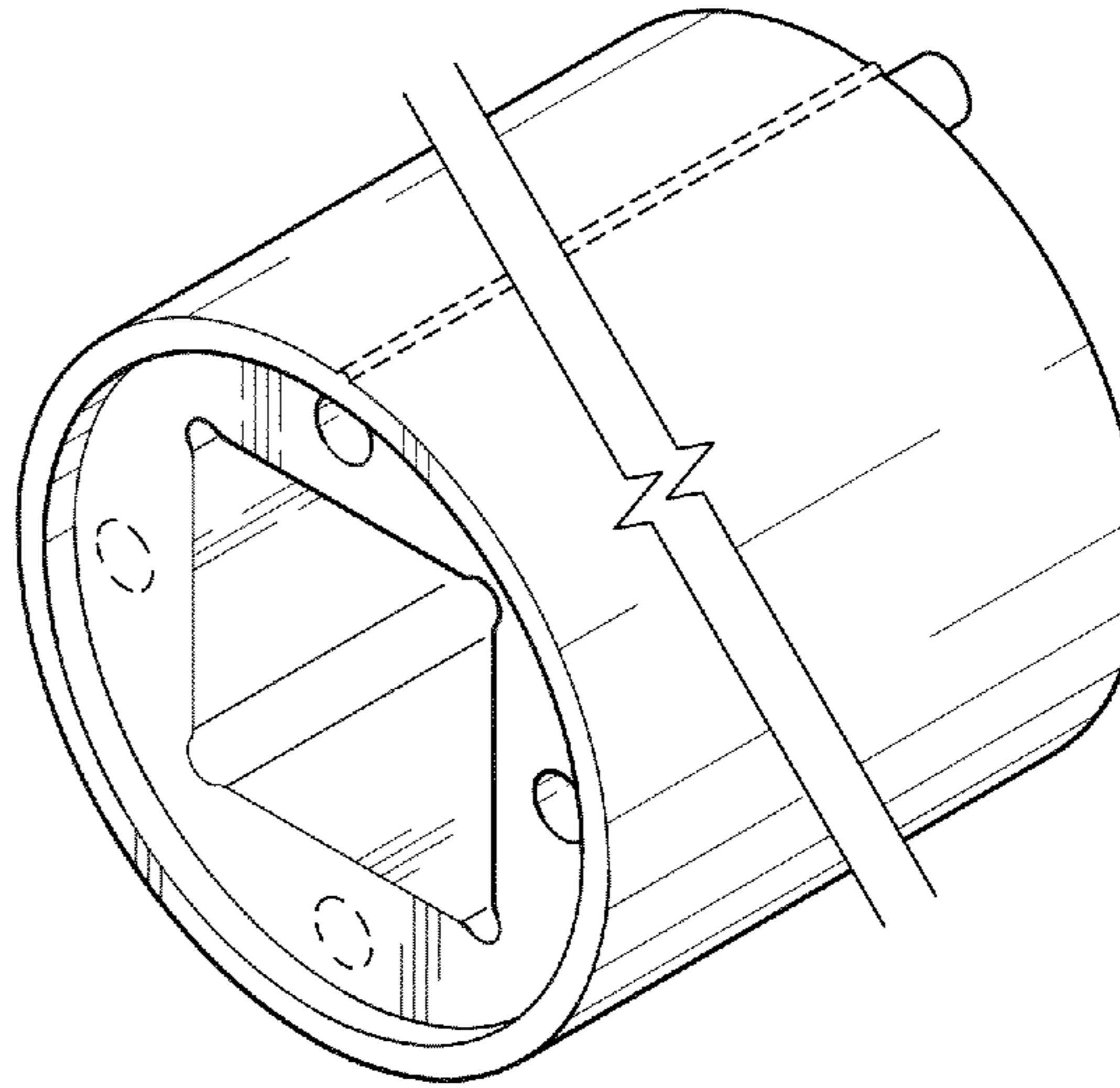
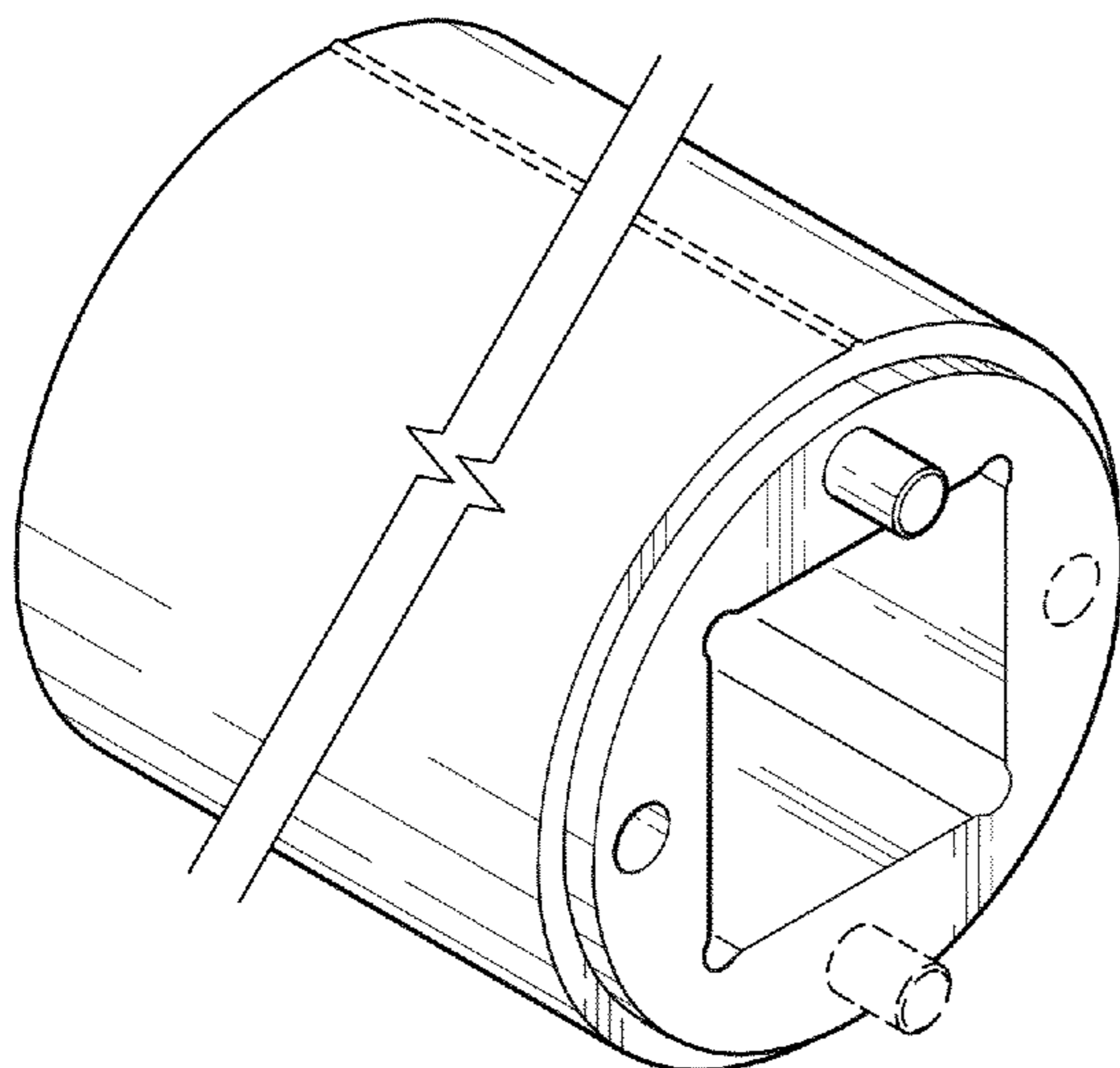
DESCRIPTION

FIG. 1 is a front perspective view of a belt core; FIG. 2 is a rear perspective view of the belt core of FIG. 1; FIG. 3 is a top plan view of the belt core of FIGS. 1 and 2, the bottom view being a mirror image thereof; FIG. 4 is a right side view of the belt core of FIGS. 1 and 2, the left side being a mirror image thereof; FIG. 5 is a rear elevation view of the belt core; and, FIG. 6 is a front elevation view of the belt core.

The article is shown with a symbolic break in its length. The appearance of any portion of the article between the break lines forms no part of the claimed design.

The broken lines in the drawings depict unclaimed environmental subject matter.

1 Claim, 2 Drawing Sheets



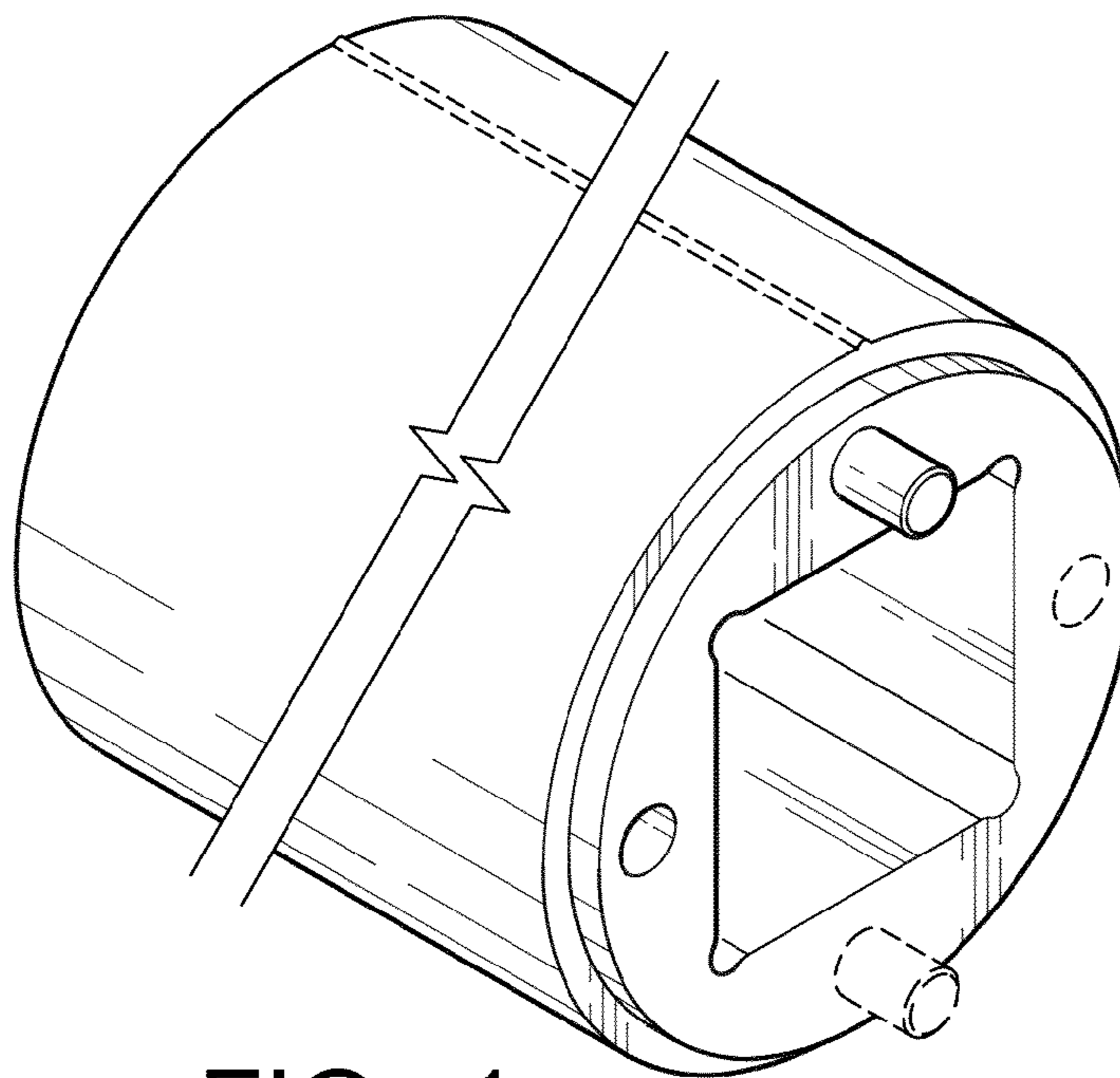


FIG. 1

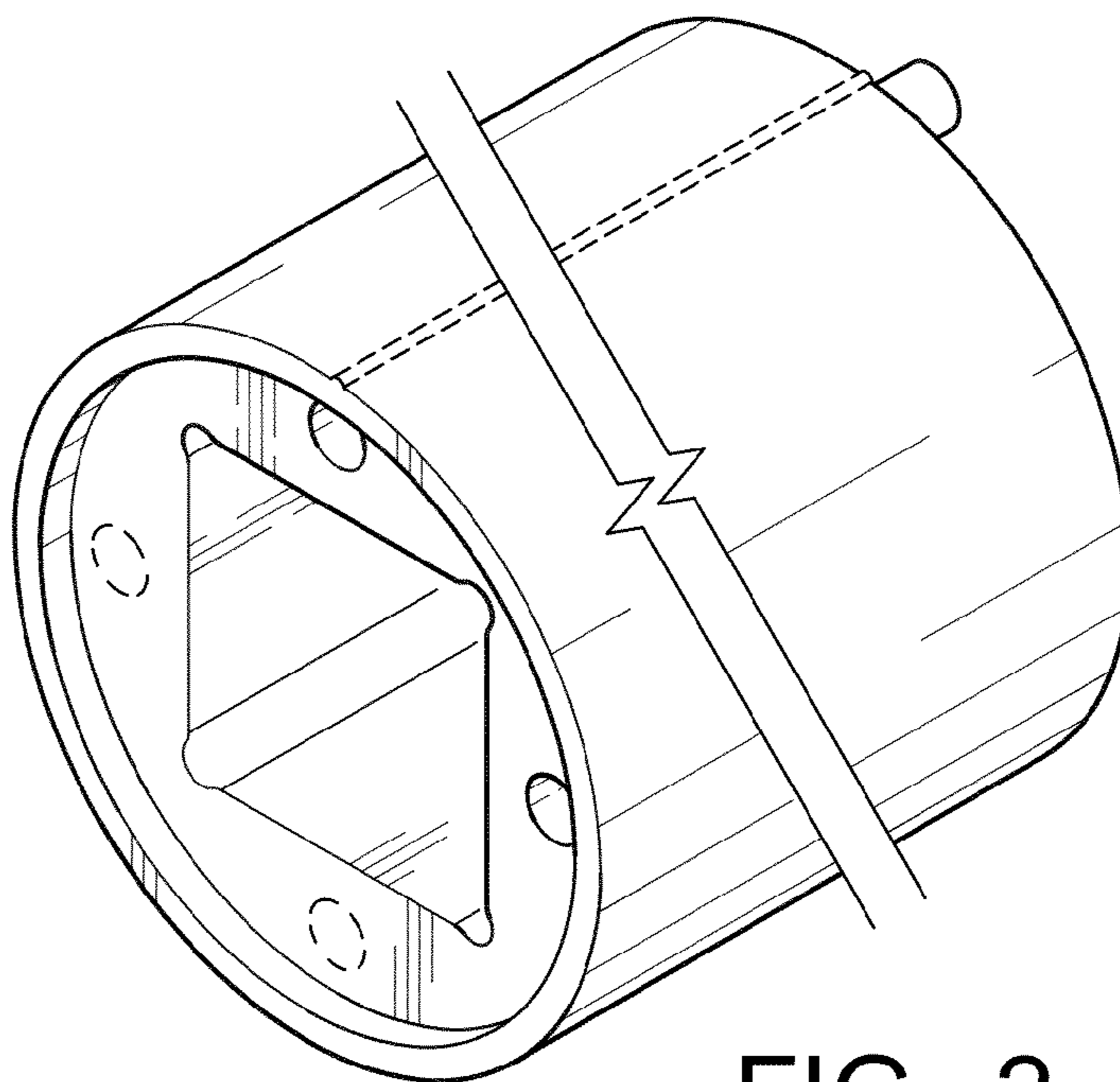


FIG. 2

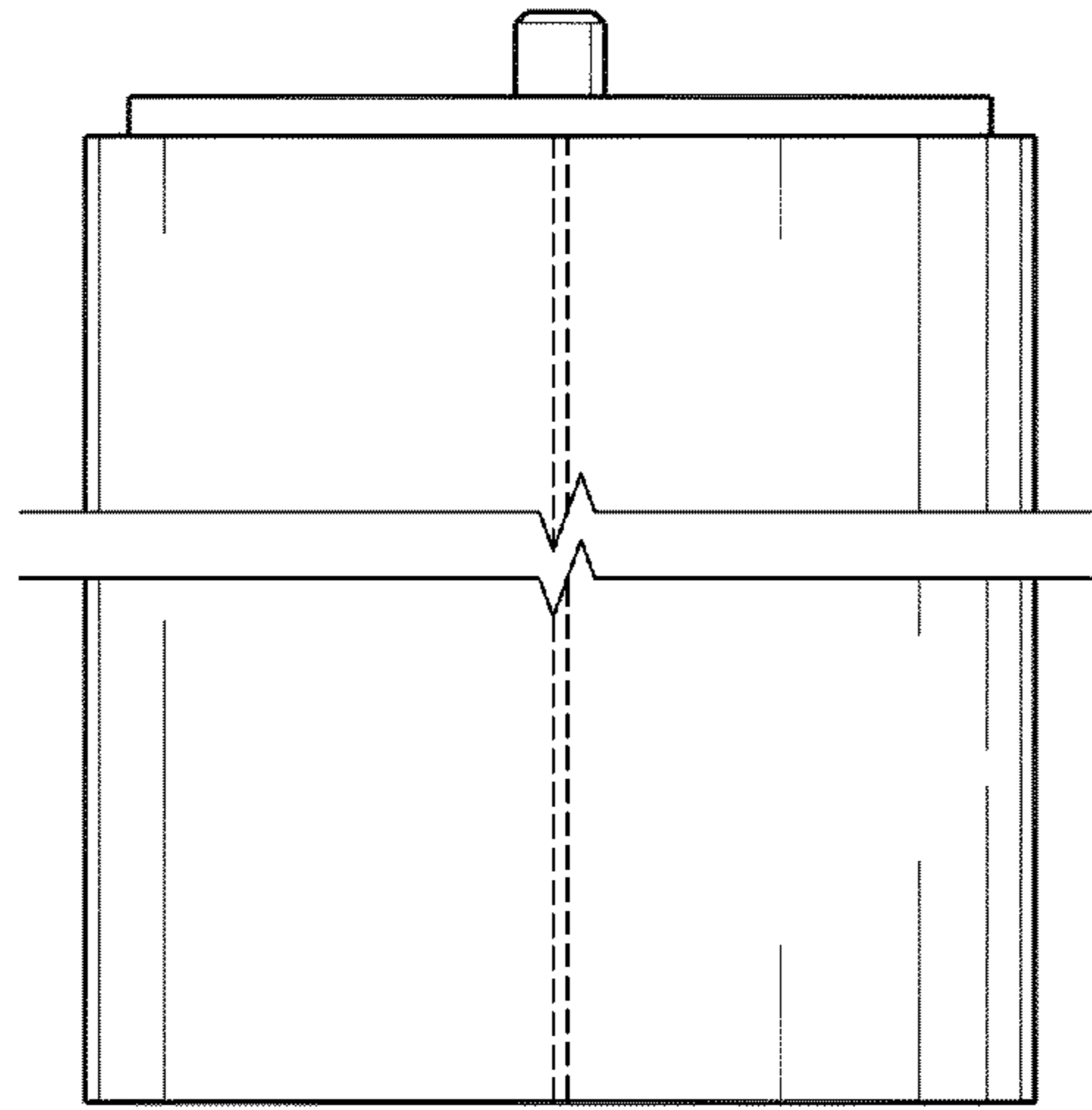


FIG. 3

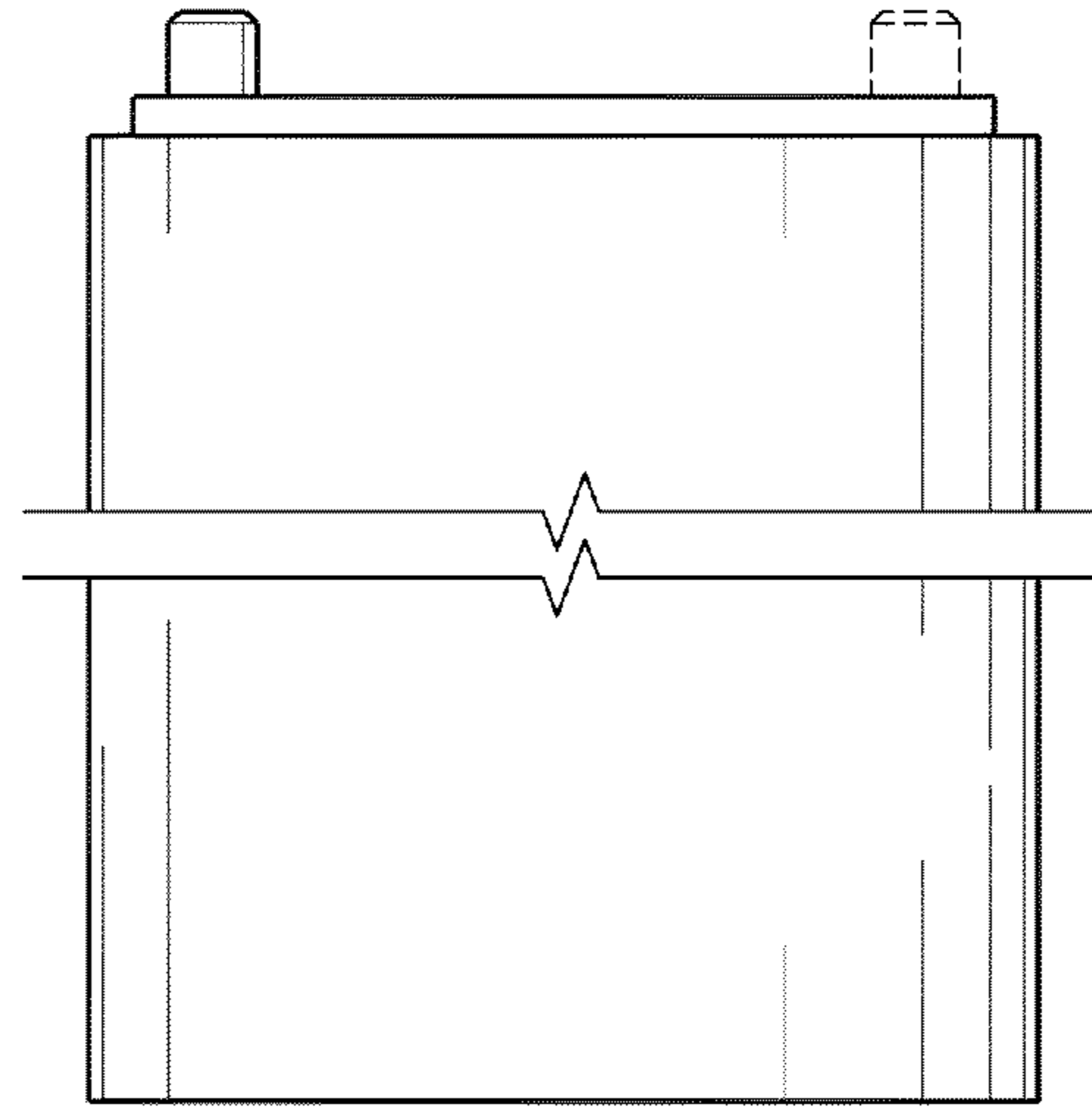


FIG. 4

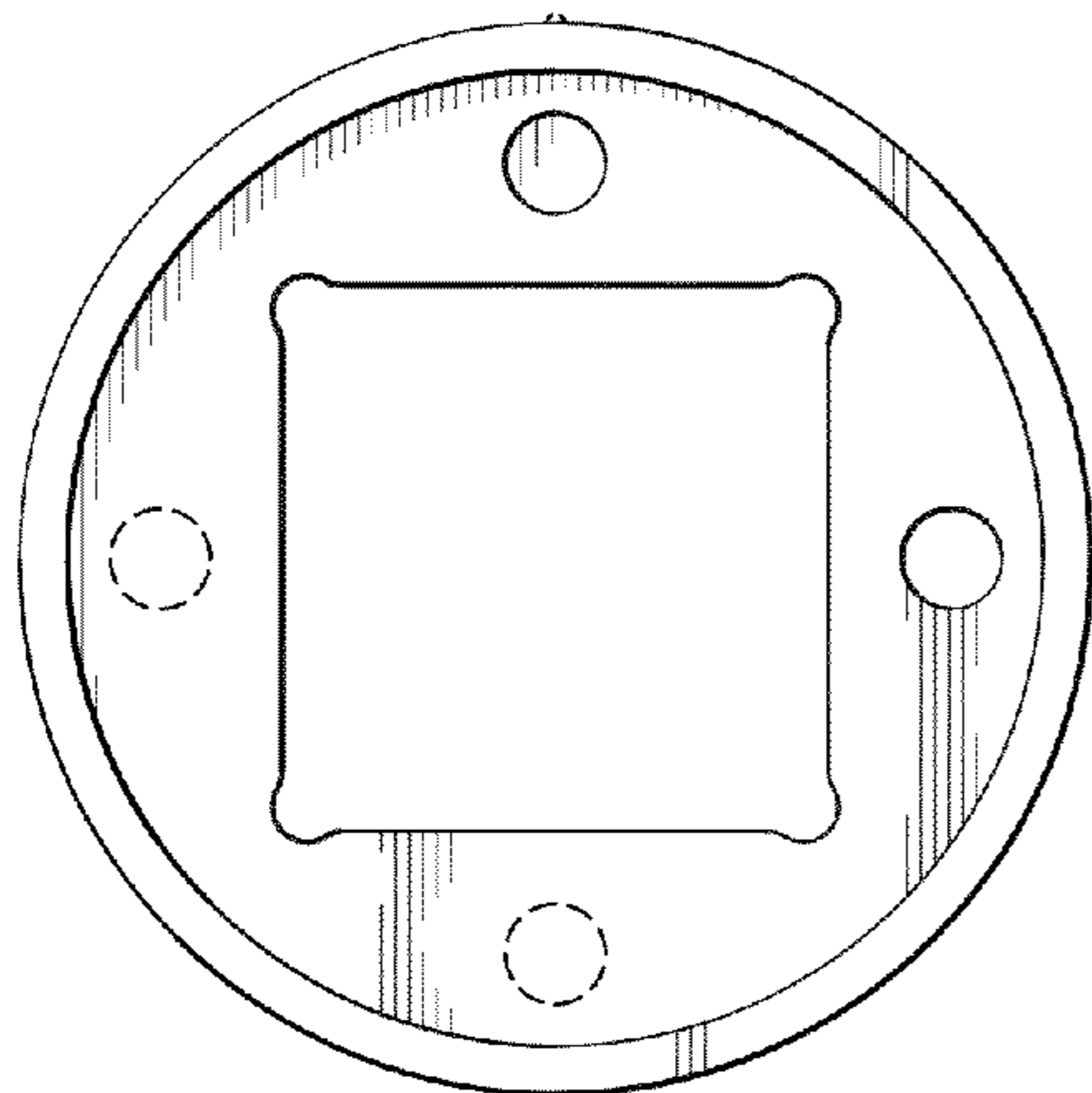


FIG. 5

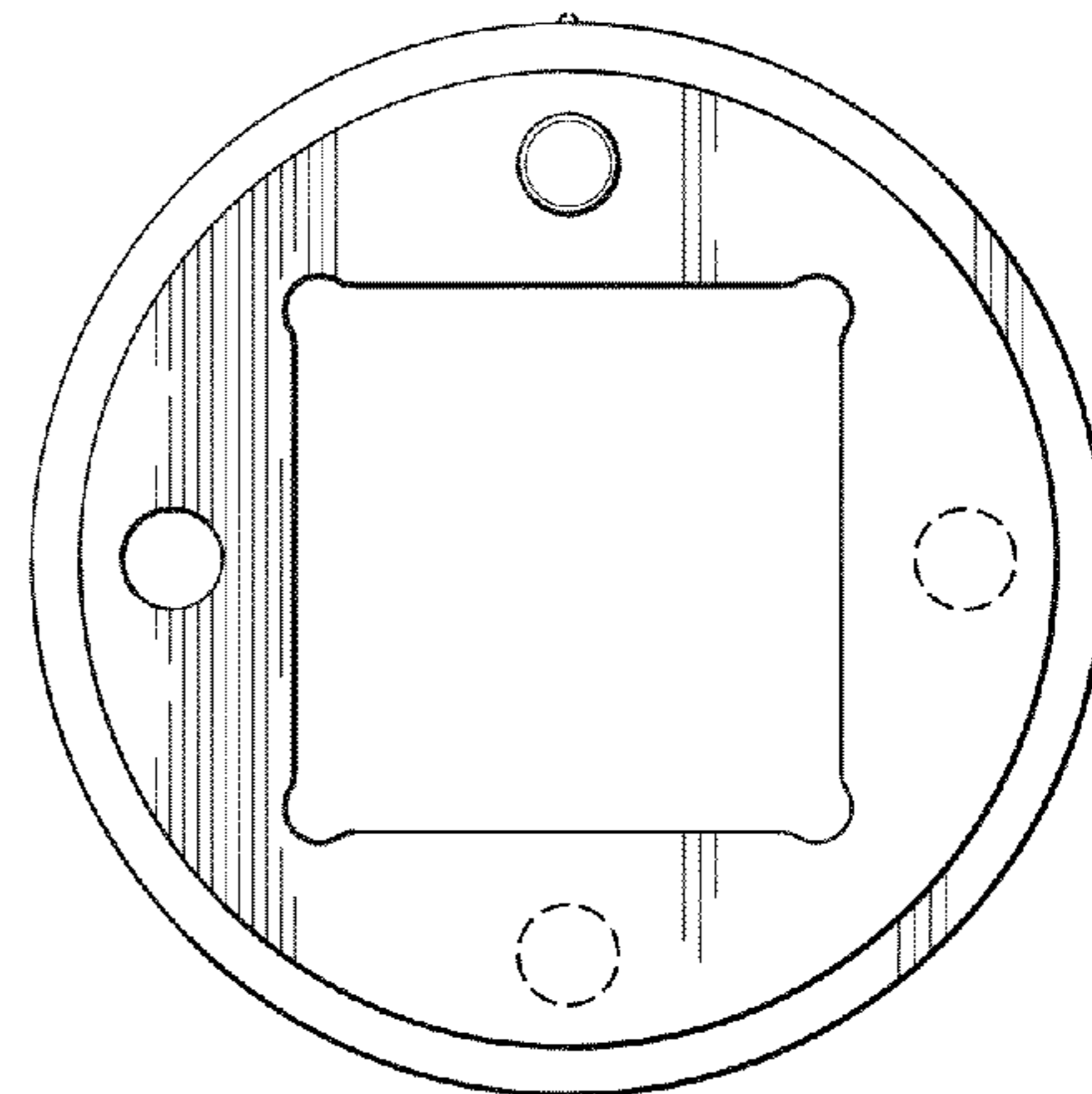


FIG. 6