



US00D736280S

(12) **United States Design Patent**  
**Myrhum, Jr. et al.**

(10) **Patent No.:** **US D736,280 S**

(45) **Date of Patent:** **\*\* Aug. 11, 2015**

(54) **DIE**  
  
(75) Inventors: **James O. Myrhum, Jr.**, West Bend, WI  
(US); **Joseph H. Ellice**, Greenfield, WI  
(US)  
  
(73) Assignee: **Milwaukee Electric Tool Corporation**,  
Brookfield, WI (US)  
  
(\*\*) Term: **14 Years**

4,144,785 A \* 3/1979 von Langendorff ..... 83/685  
4,403,417 A 9/1983 Wilson et al.  
4,481,700 A 11/1984 Redmon  
4,495,699 A 1/1985 Oakes  
4,594,779 A 6/1986 Hagemeyer  
D285,798 S \* 9/1986 Brunnegard et al. .... D15/143  
4,724,616 A 2/1988 Adleman et al.  
4,830,548 A 5/1989 Kandarian  
4,899,447 A 2/1990 Adleman  
6,033,609 A \* 3/2000 Wright et al. .... 264/169  
D548,250 S \* 8/2007 Baumeister et al. .... D15/199

(Continued)

(21) Appl. No.: **29/418,017**

(22) Filed: **Apr. 11, 2012**

(51) **LOC (10) Cl.** ..... **15-09**

(52) **U.S. Cl.**  
USPC ..... **D15/136**

(58) **Field of Classification Search**  
USPC ..... D15/128, 136; 30/360, 362, 366; 83/23,  
83/24, 98, 100, 143, 683, 685, 686  
See application file for complete search history.

FOREIGN PATENT DOCUMENTS

DE 3341861 A1 5/1985  
DE 9100020 U1 4/1991

(Continued)

OTHER PUBLICATIONS

Holemaking Product Guide, Greenlee, available at least as early as  
Mar. 2011, pp. 41-56, 69-71, 88-93, and 95-97.

(Continued)

(56) **References Cited**

U.S. PATENT DOCUMENTS

1,721,007 A 7/1929 Doherty et al.  
1,754,568 A 4/1930 Nischan  
1,817,223 A 8/1931 Abramson et al.  
2,096,778 A 10/1937 Azer  
2,145,725 A 1/1939 Jamieson  
2,176,943 A 10/1939 Reeser  
2,221,904 A 11/1940 Abramson et al.  
2,237,069 A 4/1941 Christenson  
2,735,489 A 2/1956 Fowler  
3,269,011 A 8/1966 Herrstrum  
3,273,241 A 9/1966 Annes  
3,494,033 A 2/1970 Bosco et al.  
3,564,716 A 2/1971 Burrows  
3,594,904 A 7/1971 Wright  
3,683,499 A 8/1972 Robinson, Jr.  
4,074,432 A 2/1978 Alfieri  
4,087,913 A 5/1978 Jackson

*Primary Examiner* — Patricia Palasik

(74) *Attorney, Agent, or Firm* — Michael Best & Friedrich  
LLP

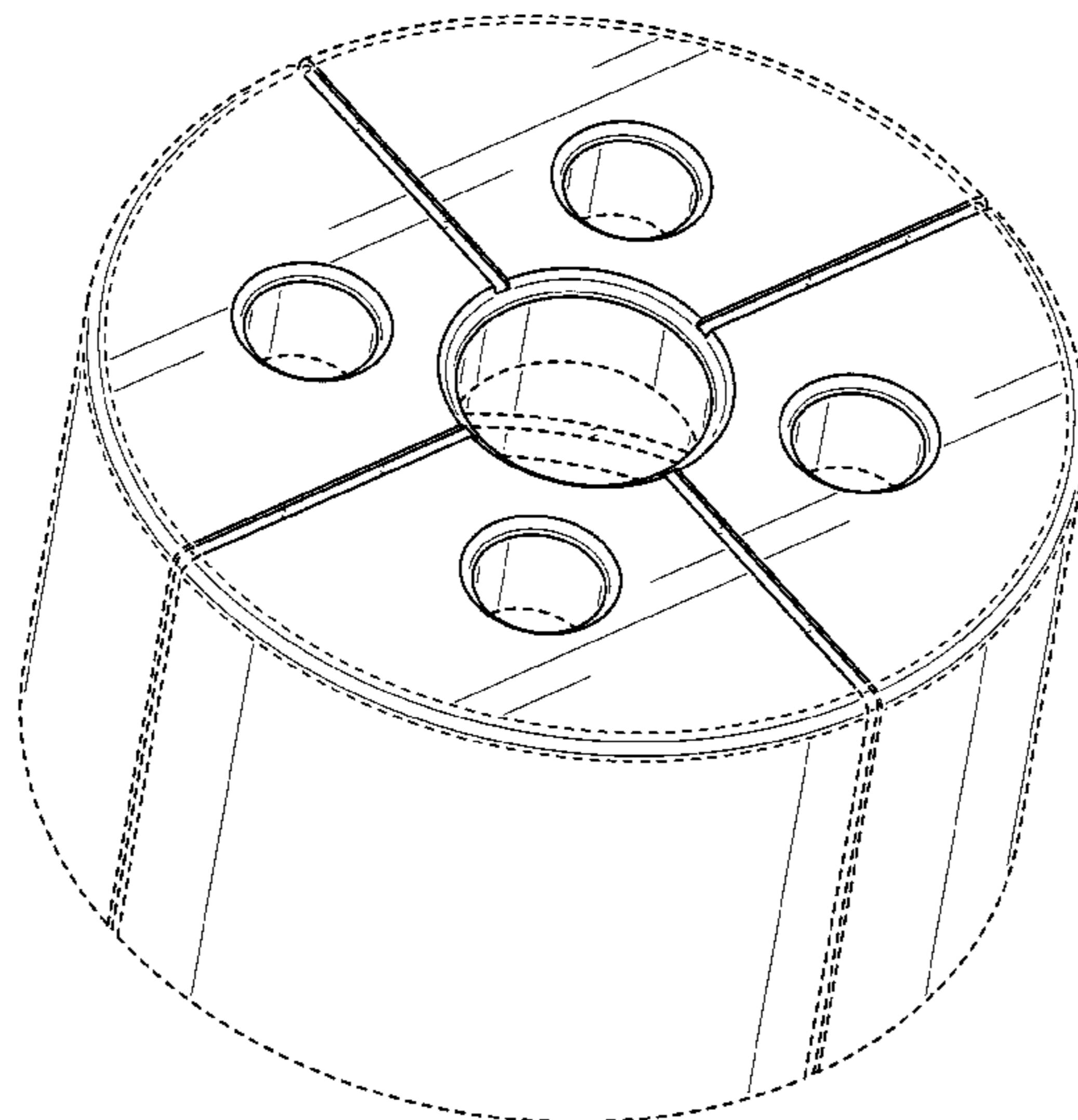
(57) **CLAIM**

We claim the ornamental design for a die, as shown.

**DESCRIPTION**

FIG. 1 is a perspective view of a die.  
FIG. 2 is a side view of the die shown in FIG. 1; and,  
FIG. 3 is a top view of the die shown in FIG. 1.  
The portions of the die shown in broken lines are included for  
the purpose of illustrating environment and form no part of  
the claimed design.

**1 Claim, 3 Drawing Sheets**



(56)

**References Cited**

U.S. PATENT DOCUMENTS

D568,347 S \* 5/2008 Manera et al. .... D15/136  
D592,685 S \* 5/2009 Ferry ..... D15/128  
7,587,830 B2 9/2009 Nordlin  
7,650,824 B2 1/2010 Ray  
7,661,913 B2 2/2010 Nordlin  
D675,237 S \* 1/2013 Broadbent et al. .... D15/136  
8,413,561 B2 \* 4/2013 Thielges et al. .... 83/146  
2005/0217343 A1 \* 10/2005 Tomita ..... 72/325  
2009/0288531 A1 11/2009 Steimer  
2010/0180744 A1 7/2010 Nordlin

FOREIGN PATENT DOCUMENTS

DE 9104064 U1 10/1991  
DE 9315393 U1 11/1994  
EP 1733819 B1 3/2008

OTHER PUBLICATIONS

Tools Testers, and Accessories, Greenlee, Nov. 1993.  
Timesaving Tools for Electricians, Maintenance, Greenlee, Aug.  
1980.

\* cited by examiner

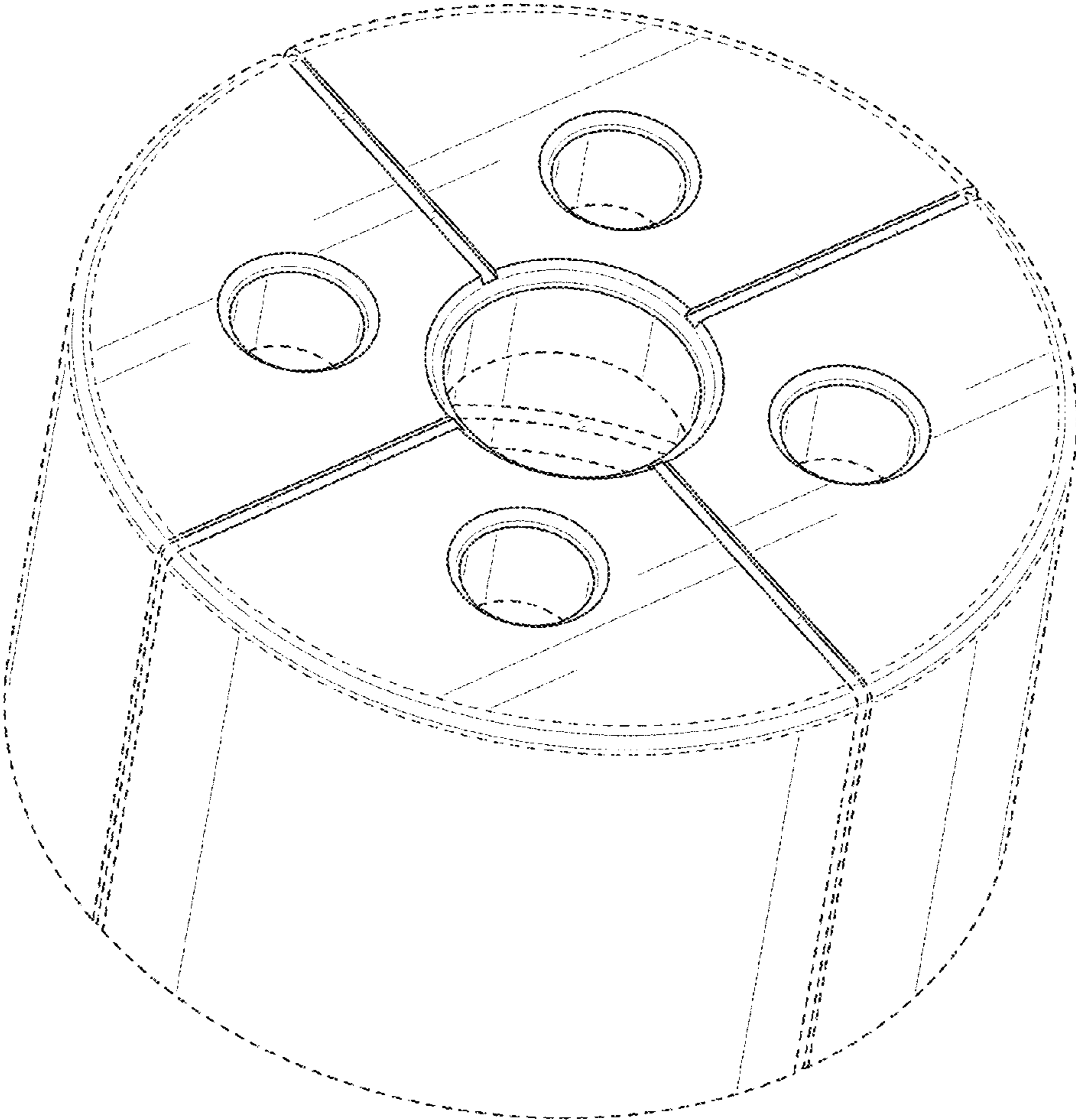


FIG. 1

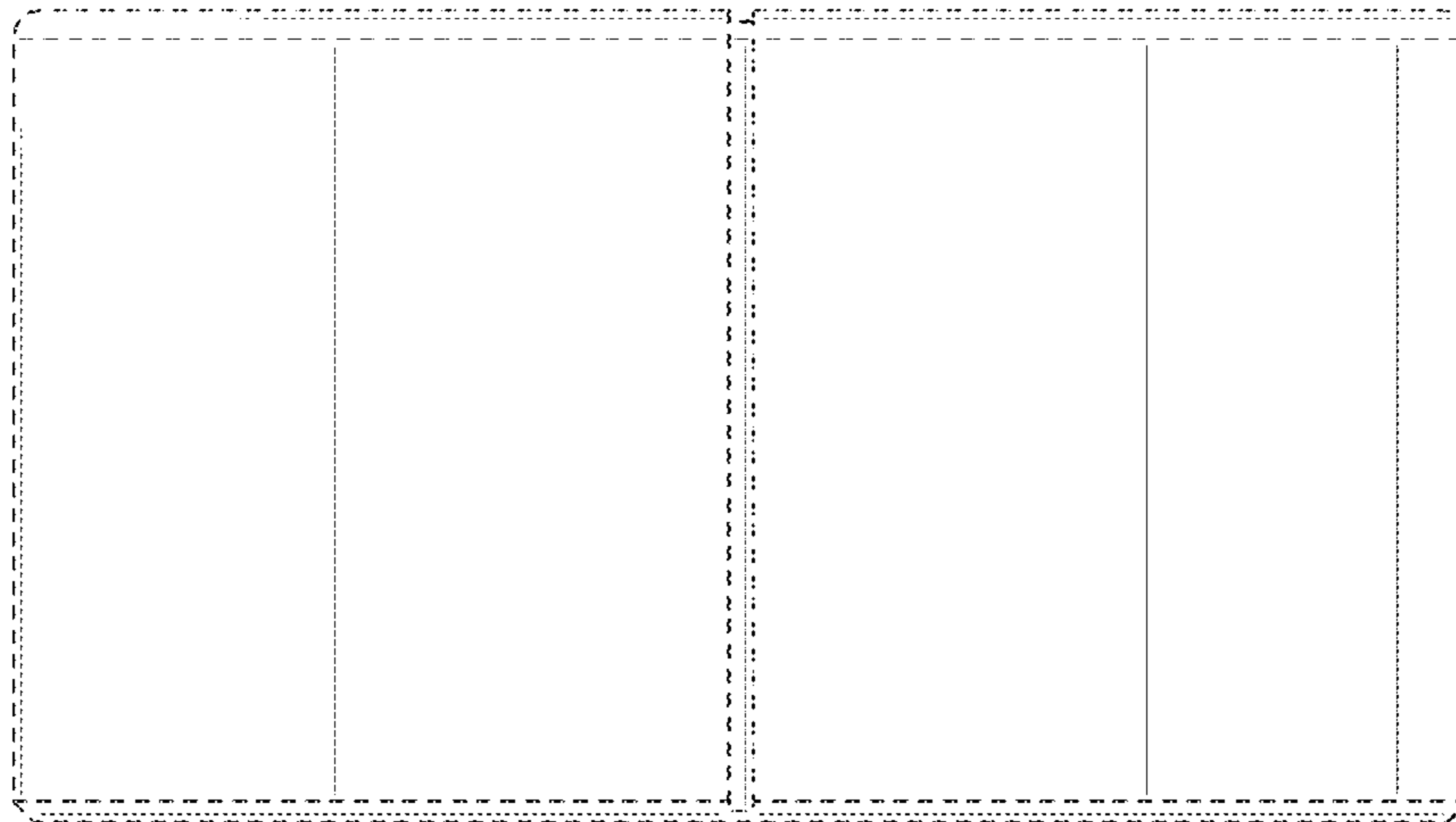


FIG. 2

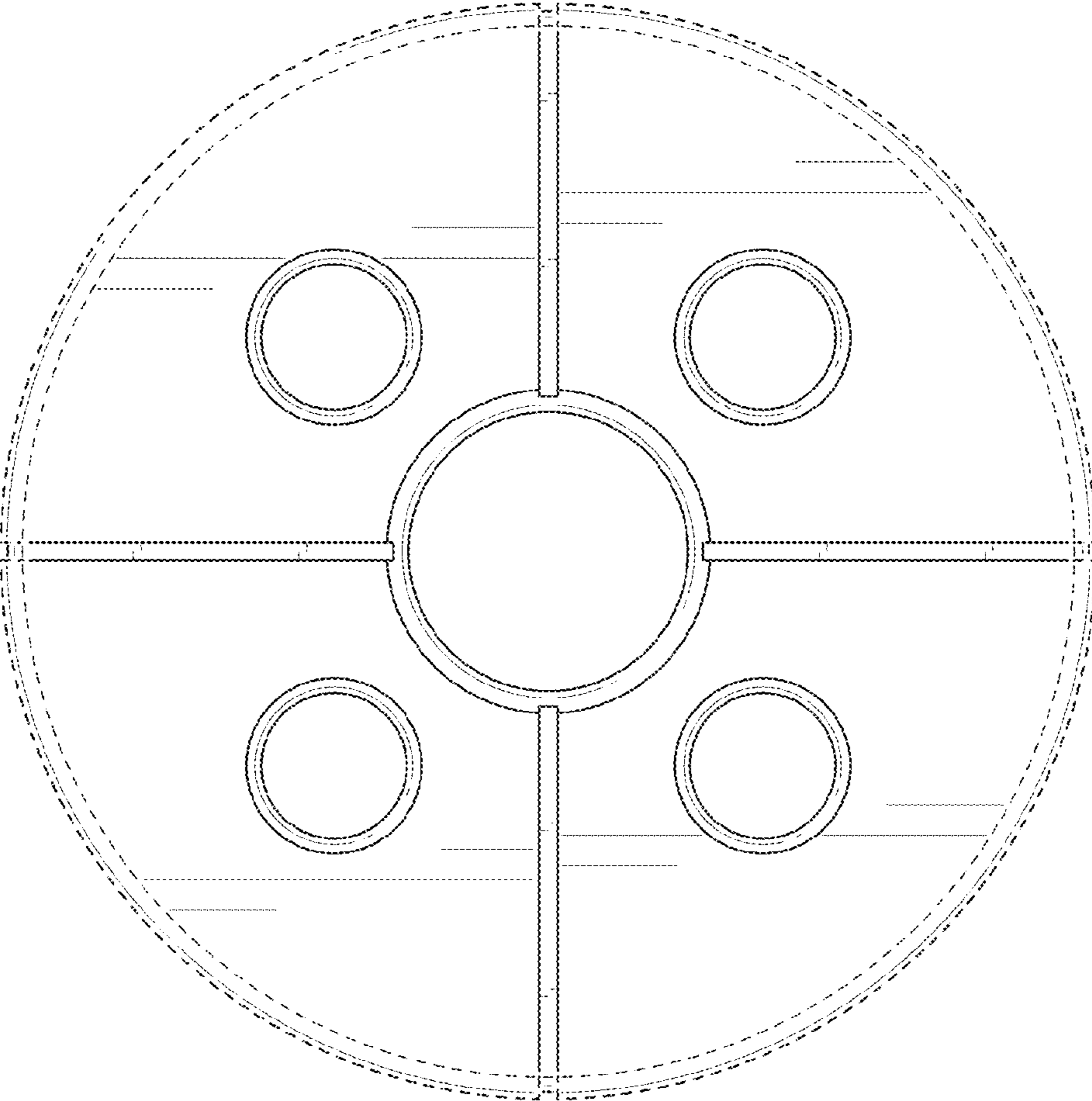


FIG. 3