



US00D736279S

(12) **United States Design Patent**
O'Malley

(10) **Patent No.:** **US D736,279 S**

(45) **Date of Patent:** **** Aug. 11, 2015**

- (54) **MILL TOOL**
- (71) Applicant: **ELEMENT SIX LIMITED**, County Clare (IE)
- (72) Inventor: **Dermot Francis O'Malley**, Shannon (IE)
- (73) Assignee: **Element Six Limited**, County Clare (IE)
- (**) Term: **14 Years**
- (21) Appl. No.: **29/480,832**
- (22) Filed: **Jan. 30, 2014**

Related U.S. Application Data

- (62) Division of application No. 29/473,995, filed on Nov. 27, 2013.

(30) **Foreign Application Priority Data**

- Jul. 19, 2013 (GB) 1312954.9
- Nov. 27, 2013 (EM) 002352872-0001
- Nov. 27, 2013 (EM) 002352872-0002
- Nov. 27, 2013 (EM) 002352872-0003

- (51) **LOC (10) Cl.** **15-09**

- (52) **U.S. Cl.**
USPC **D15/131**; D15/139

- (58) **Field of Classification Search**
USPC D15/128, 131, 138, 139, 140
See application file for complete search history.

(56) **References Cited**

U.S. PATENT DOCUMENTS

- 1,591,967 A * 7/1926 Emerson 451/474
- 1,603,739 A * 10/1926 Borgeson 408/229
- 1,747,713 A * 2/1930 Havlista 407/42

- 3,451,721 A * 6/1969 Speirs et al. 299/39.8
- 4,844,666 A * 7/1989 Tsujimura et al. 407/34
- 5,074,356 A * 12/1991 Neff 166/55.7
- D682,898 S * 5/2013 Fujii D15/139
- 8,499,834 B2 * 8/2013 Guidry et al. 166/298
- 8,702,352 B2 * 4/2014 Sjo 407/40
- D706,844 S * 6/2014 Qiu et al. D15/139
- 8,820,848 B2 * 9/2014 Rotsch et al. 299/39.4
- 8,974,155 B2 * 3/2015 Dressler 407/59

OTHER PUBLICATIONS

- U.S. Appl. No. 29/473,995, Notice of Allowance mailed May 13, 2015, 12 pages.
- U.S. Appl. No. 29/480,831, Notice of Allowance mailed May 19, 2015, 12 pages.

* cited by examiner

Primary Examiner — Patricia Palasik

(74) *Attorney, Agent, or Firm* — Dean W. Russell; Michael A. Bertelson; Kilpatrick Townsend & Stockton LLP

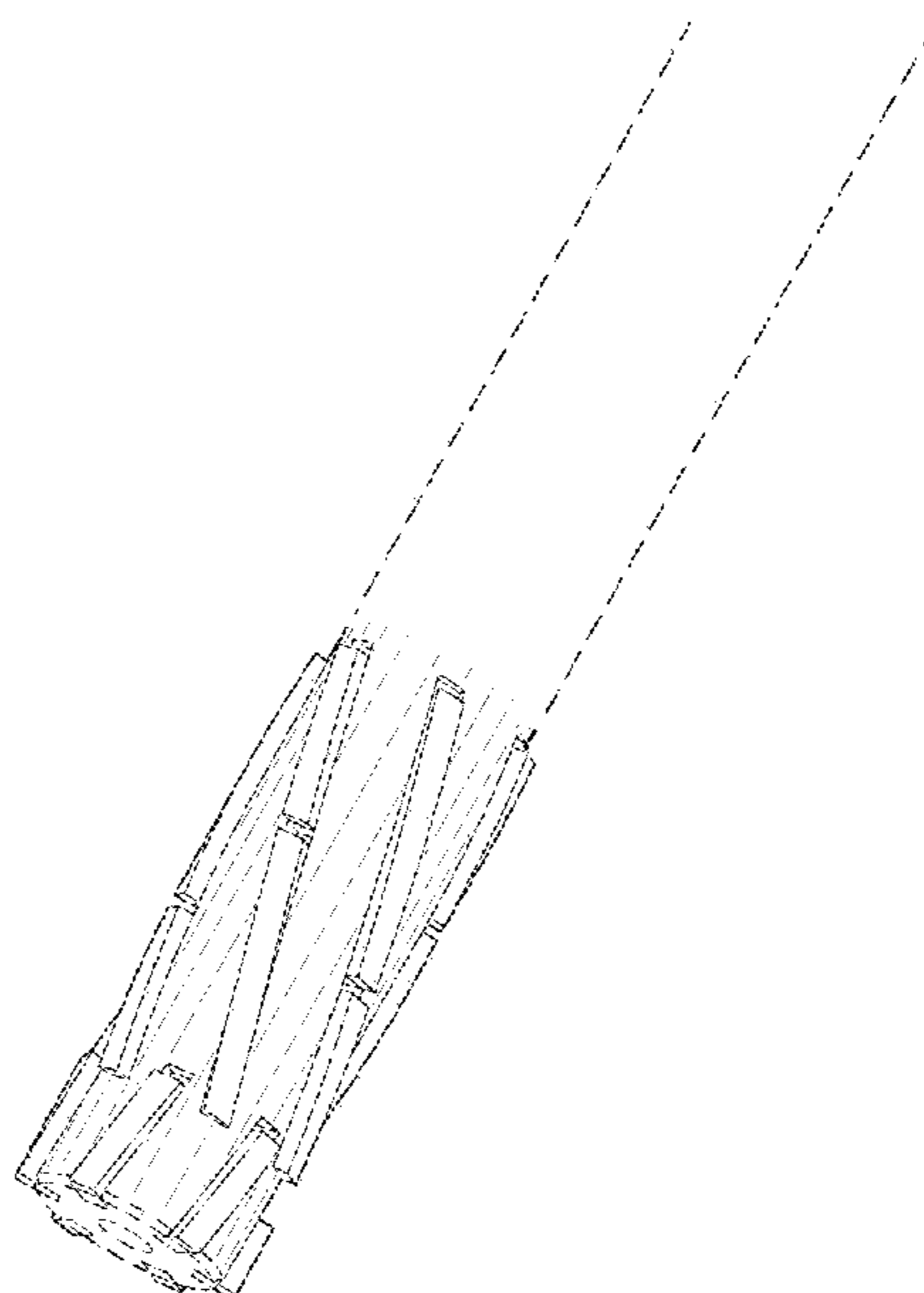
(57) **CLAIM**

The ornamental design for a mill tool, as shown and described.

DESCRIPTION

FIG. 1 is a front elevational view of a mill tool showing my new design;
 FIG. 2 is a top elevational view thereof;
 FIG. 3 is a perspective view thereof;
 FIG. 4 is a second perspective view thereof; and,
 FIG. 5 is a back elevational view thereof.
 The broken lines illustrate environmental structures and boundaries of the claimed design, and form no part of the claimed design.

1 Claim, 4 Drawing Sheets



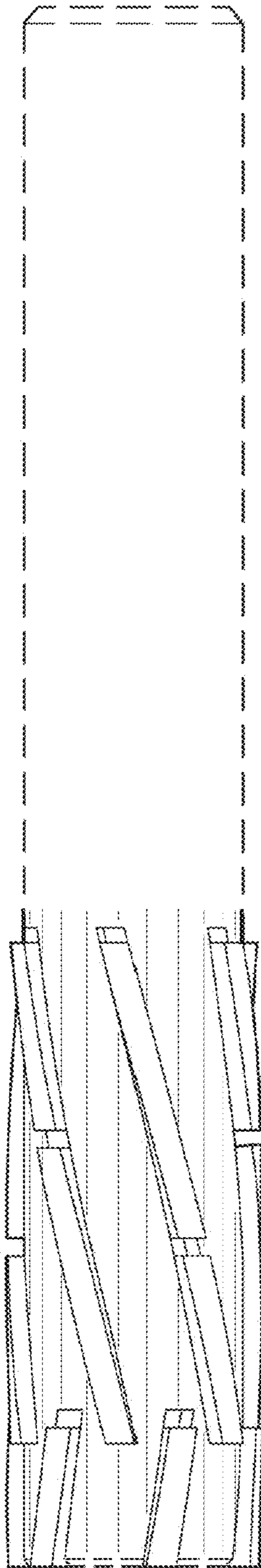


FIG. 1

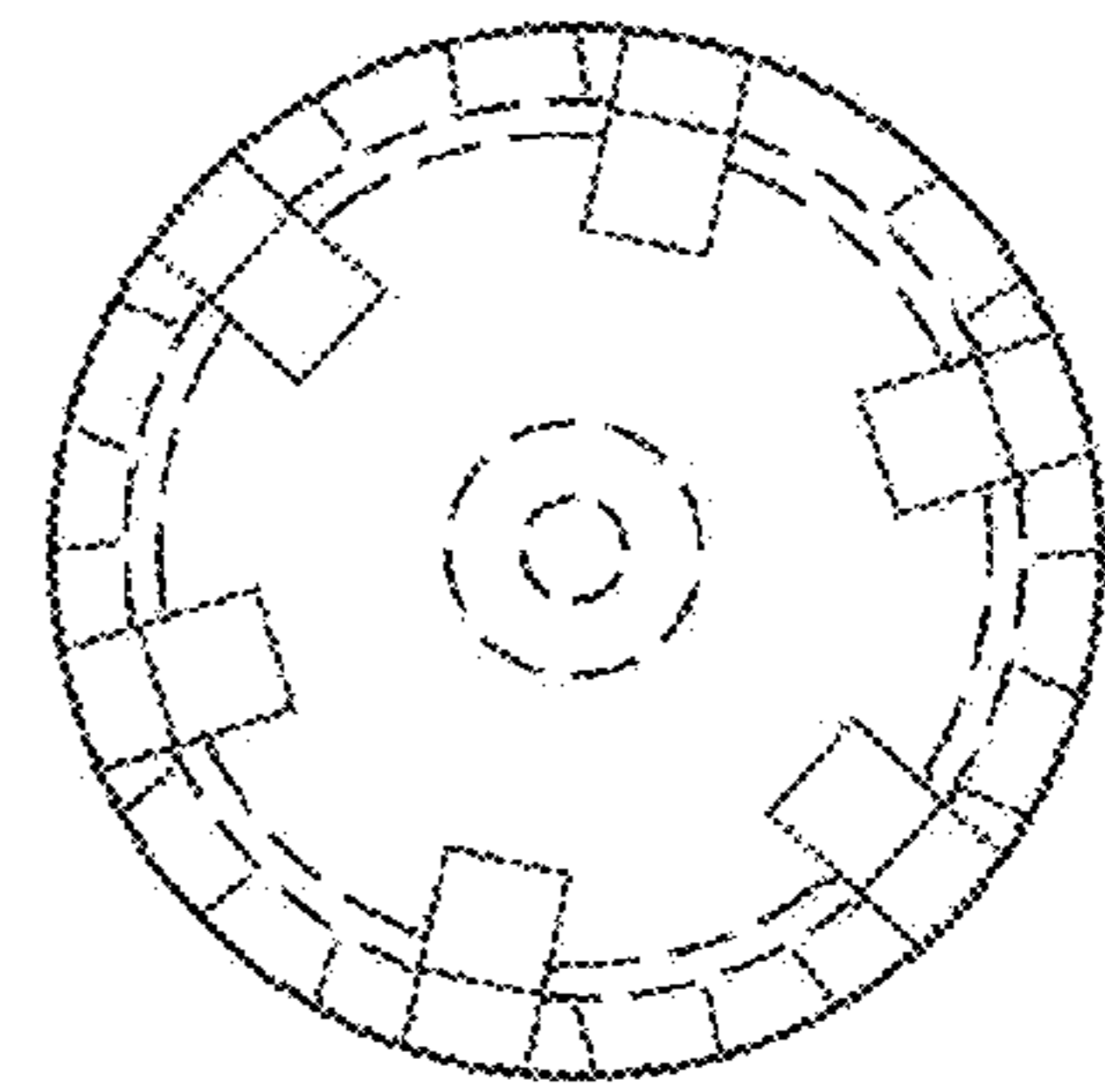


FIG. 2

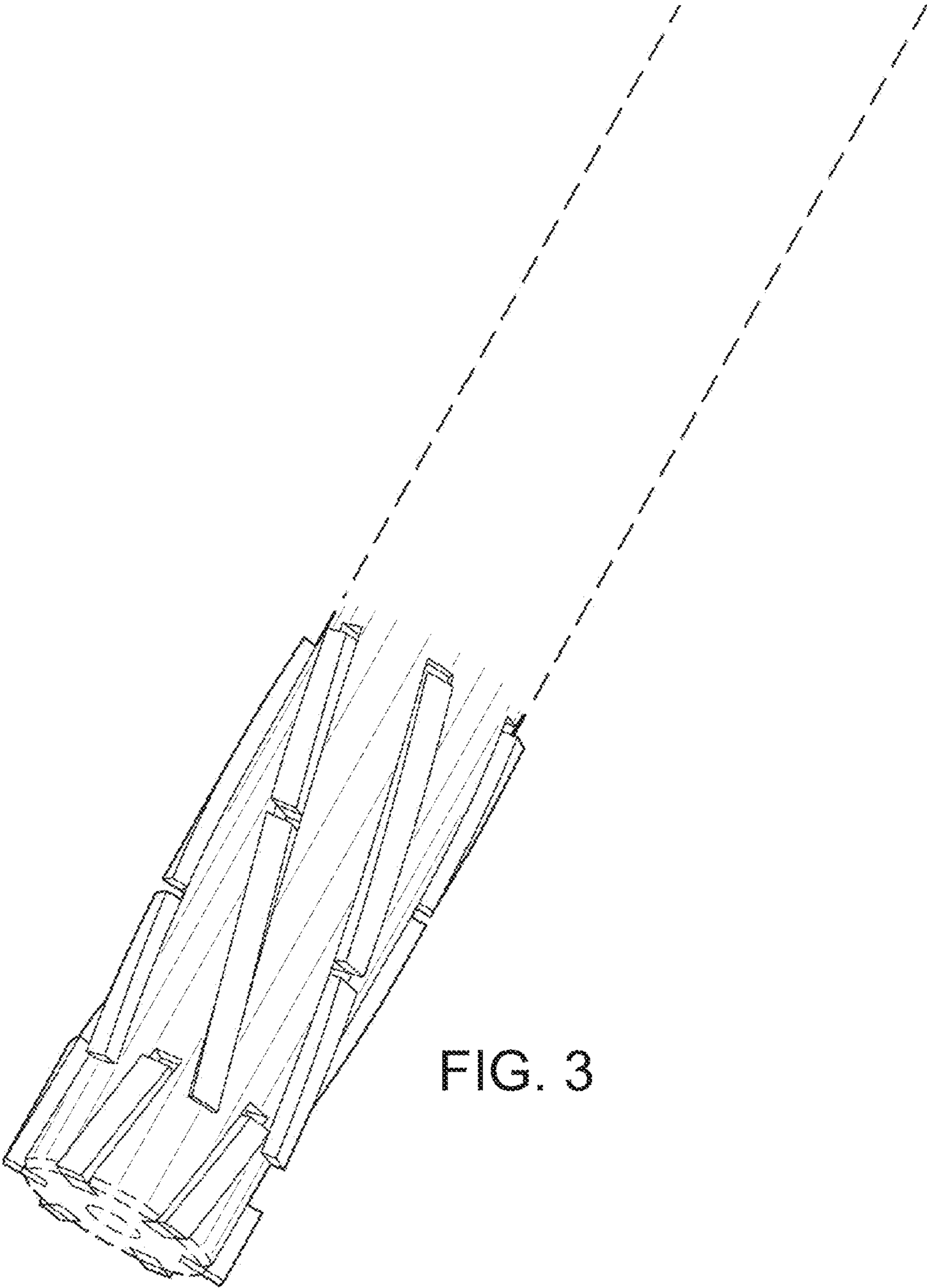


FIG. 3

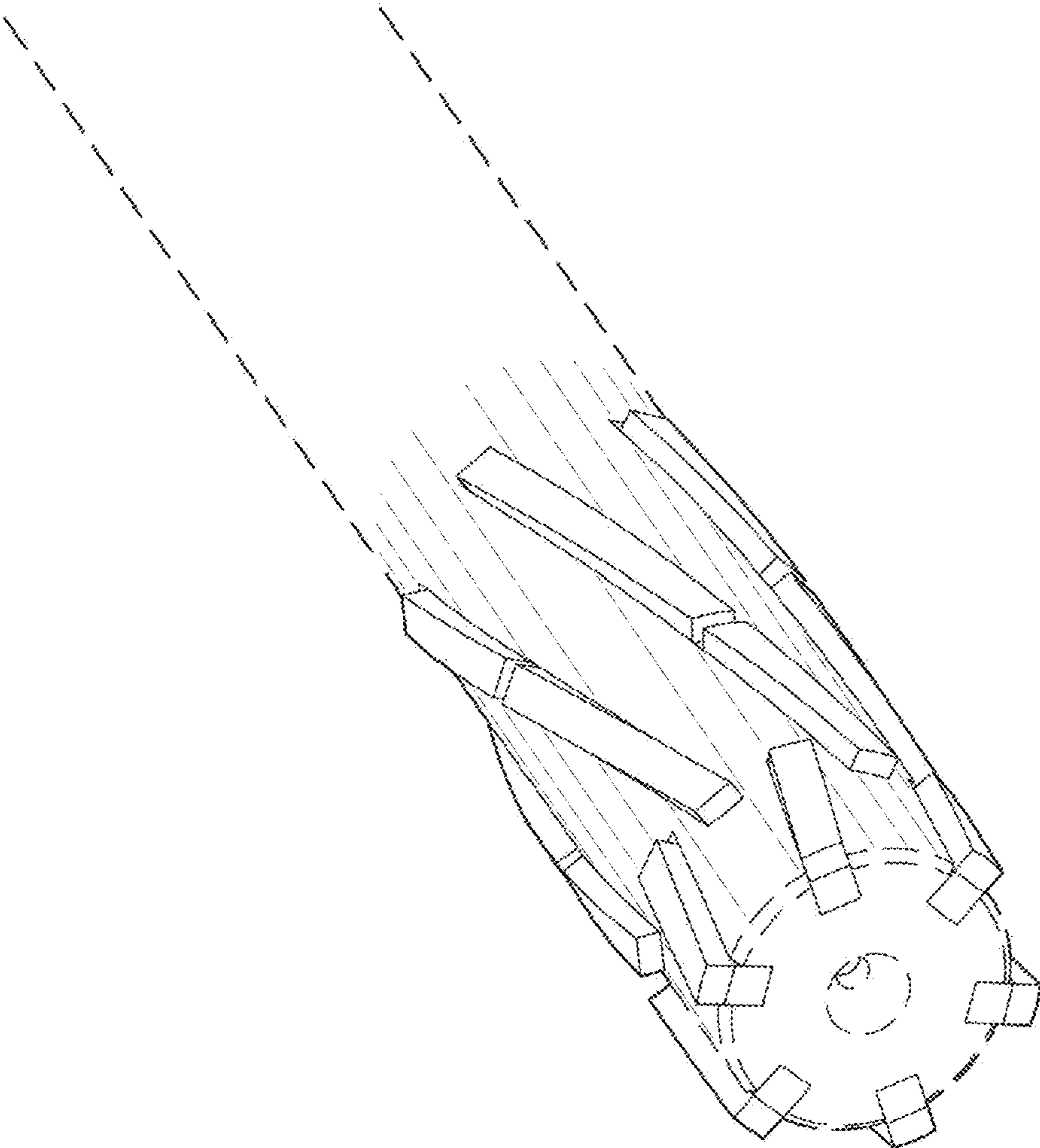


FIG. 4

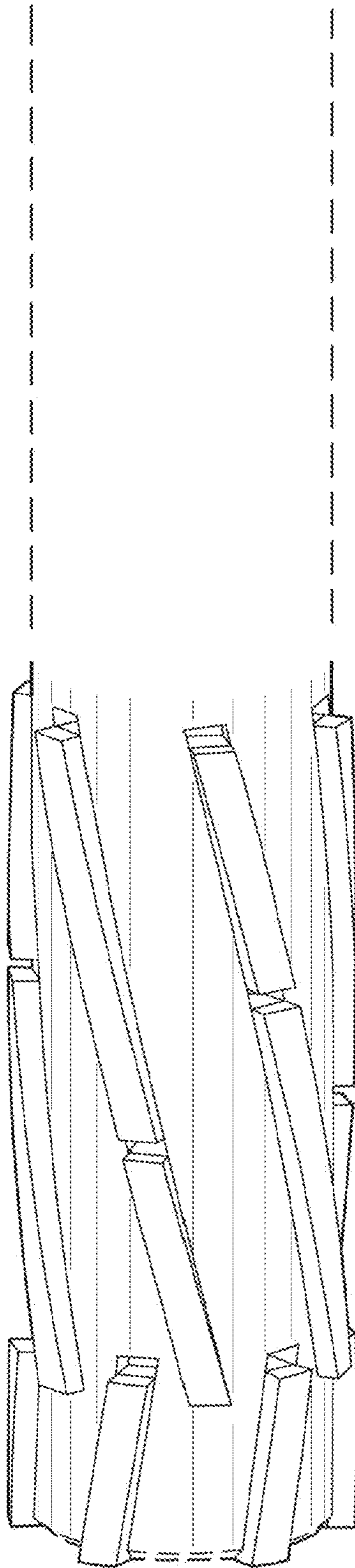


FIG. 5