



US00D736276S

(12) **United States Design Patent**
Kim

(10) **Patent No.:** **US D736,276 S**

(45) **Date of Patent:** **** Aug. 11, 2015**

(54) **EDGE FRAMES OF REFRIGERATOR**

(71) Applicant: **Brian S. Kim**, Rancho Palos Verdes, CA
(US)

(72) Inventor: **Brian S. Kim**, Rancho Palos Verdes, CA
(US)

(**) Term: **14 Years**

(21) Appl. No.: **29/484,350**

(22) Filed: **Mar. 7, 2014**

(51) **LOC (10) Cl.** **15-07**

(52) **U.S. Cl.**
USPC **D15/89**

(58) **Field of Classification Search**
USPC D15/79-91
CPC F25B 21/02; F25B 2321/02; F25B 1/005;
F25B 2321/0252; F25B 1/00; F25B 1/10;
F25B 21/04; F25B 2339/047; F25B 5/02;
F25B 7/00; F25B 13/00; F25B 1/053; F25B
2309/06; F25B 2321/021; F25B 2321/023;
F25D 23/028; F25D 23/02; F25D 25/025;
F25D 23/00; F25D 2323/021; F25D 11/00;
F25D 2323/024; F25D 23/04; F25D 29/00;
F25D 25/02; F25D 25/024; F25D 27/005;
F25D 23/12; F25D 29/005; F25D 17/042;
F25D 2325/021

See application file for complete search history.

(56) **References Cited**

U.S. PATENT DOCUMENTS

D244,019 S *	4/1977	Brown	D15/88
D713,430 S *	9/2014	Jeon et al.	D15/89
D723,594 S *	3/2015	Kim et al.	D15/91
D724,630 S *	3/2015	Jeon et al.	D15/89

* cited by examiner

Primary Examiner — Daniel Bui

Assistant Examiner — Khawaja Anwar

(74) *Attorney, Agent, or Firm* — John K. Park; Park Law Firm

(57) **CLAIM**

The ornamental design for edge frames of refrigerator, as shown and described.

DESCRIPTION

FIG. 1 is a perspective view of edge frames of refrigerator showing my new design;

FIG. 2 is a front view thereof;

FIG. 3 is a rear view thereof;

FIG. 4 is a right side view thereof;

FIG. 5 is a left side view thereof;

FIG. 6 is a top plan view thereof; and,

FIG. 7 is a side view thereof.

The broken line in the figure drawings represents unclaimed environment only and forms no part of the claimed design.

1 Claim, 4 Drawing Sheets

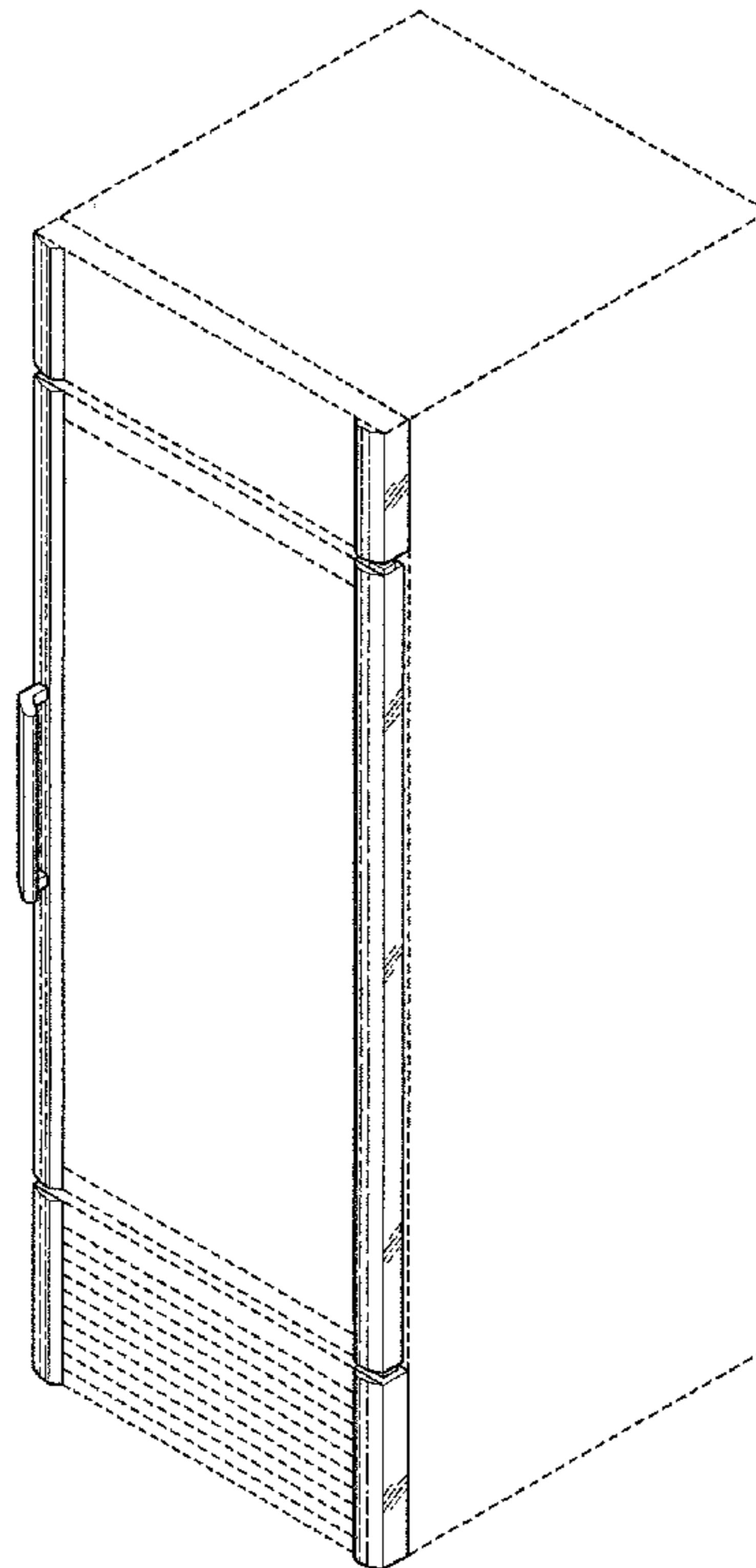


FIG. 1

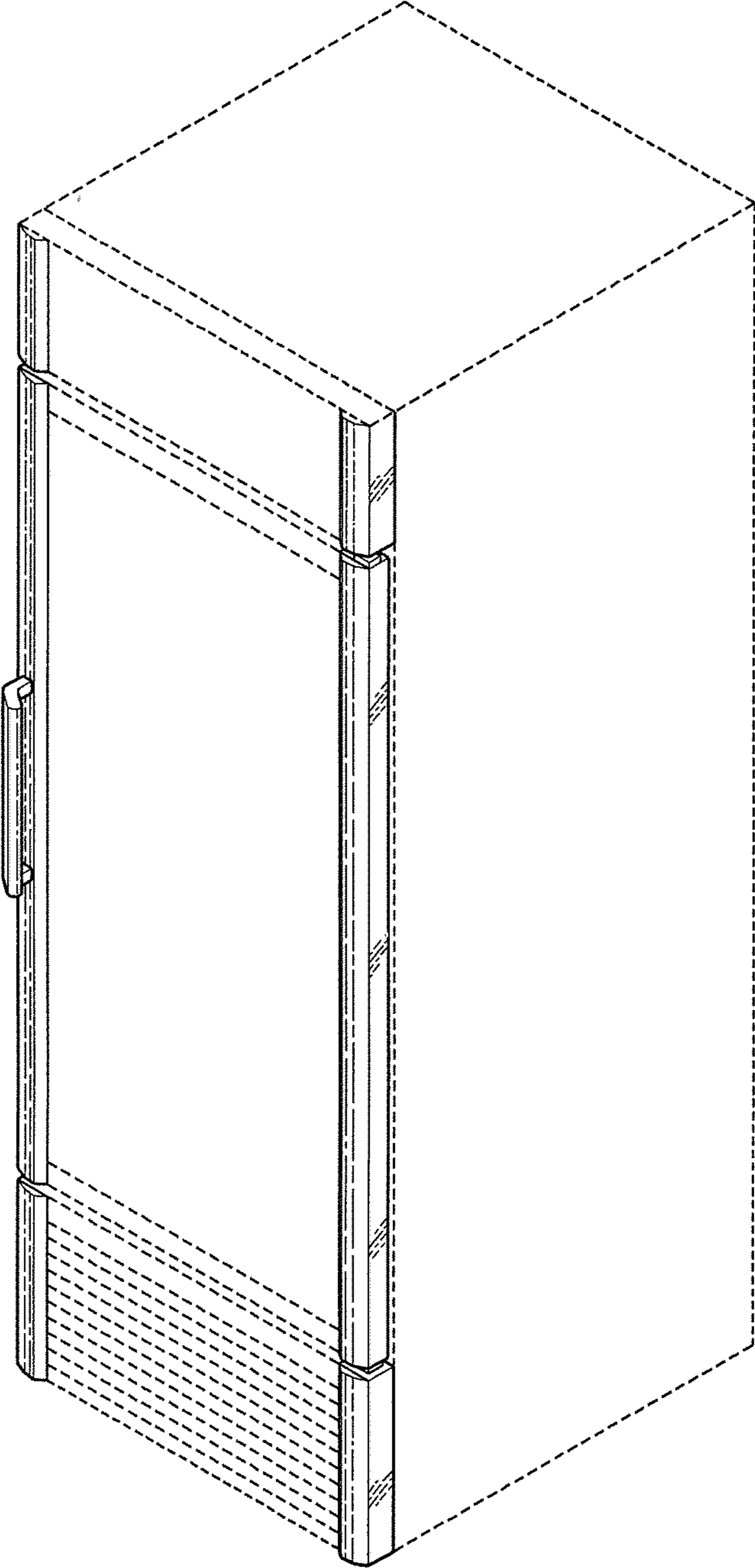


FIG. 2

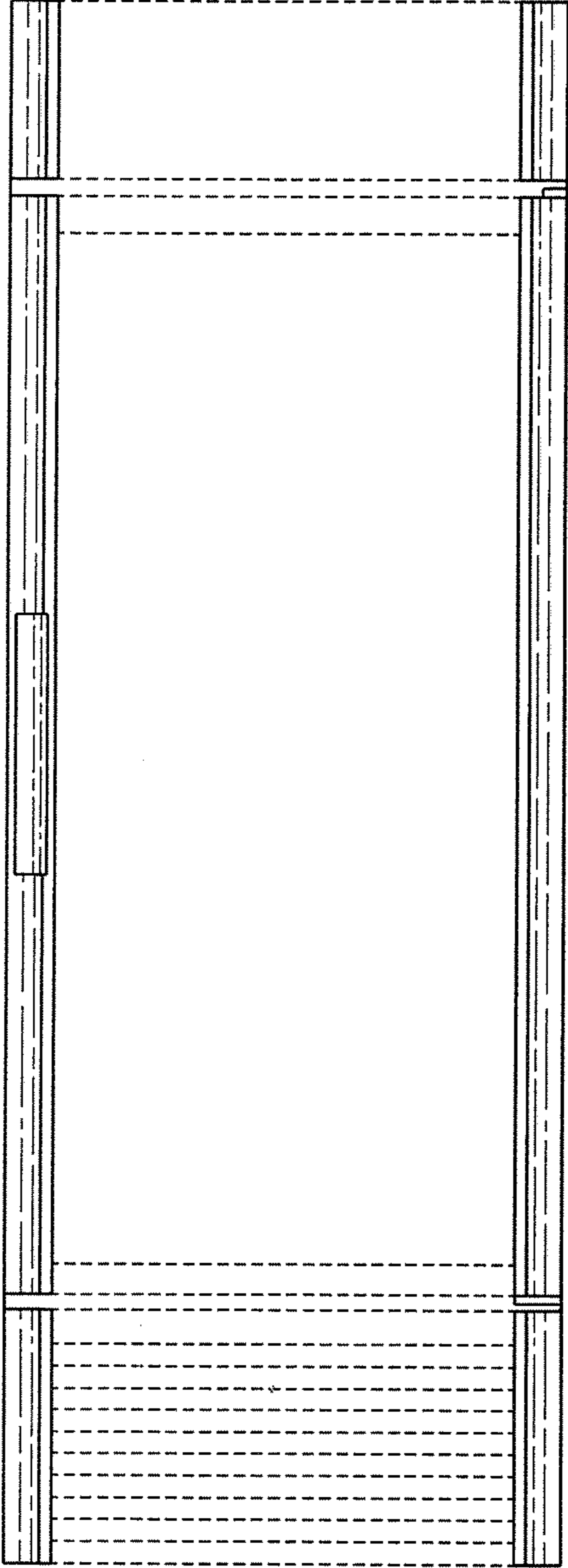


FIG. 3

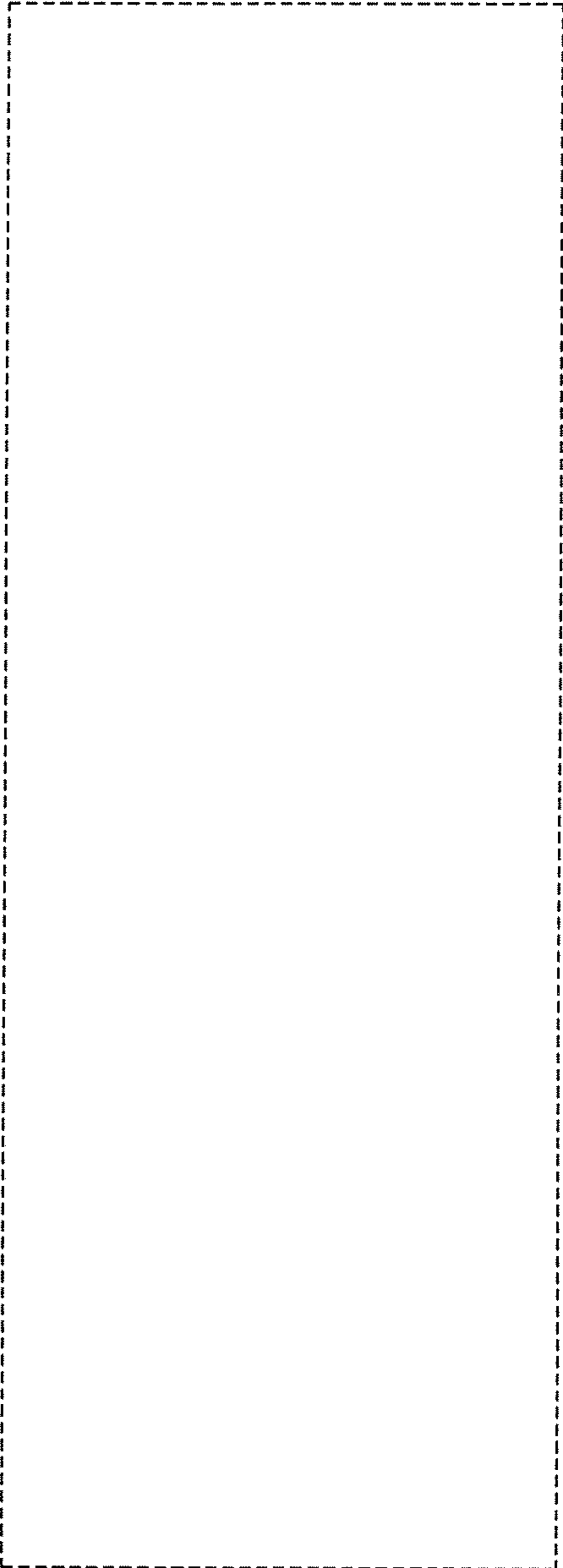


FIG. 4

FIG. 5

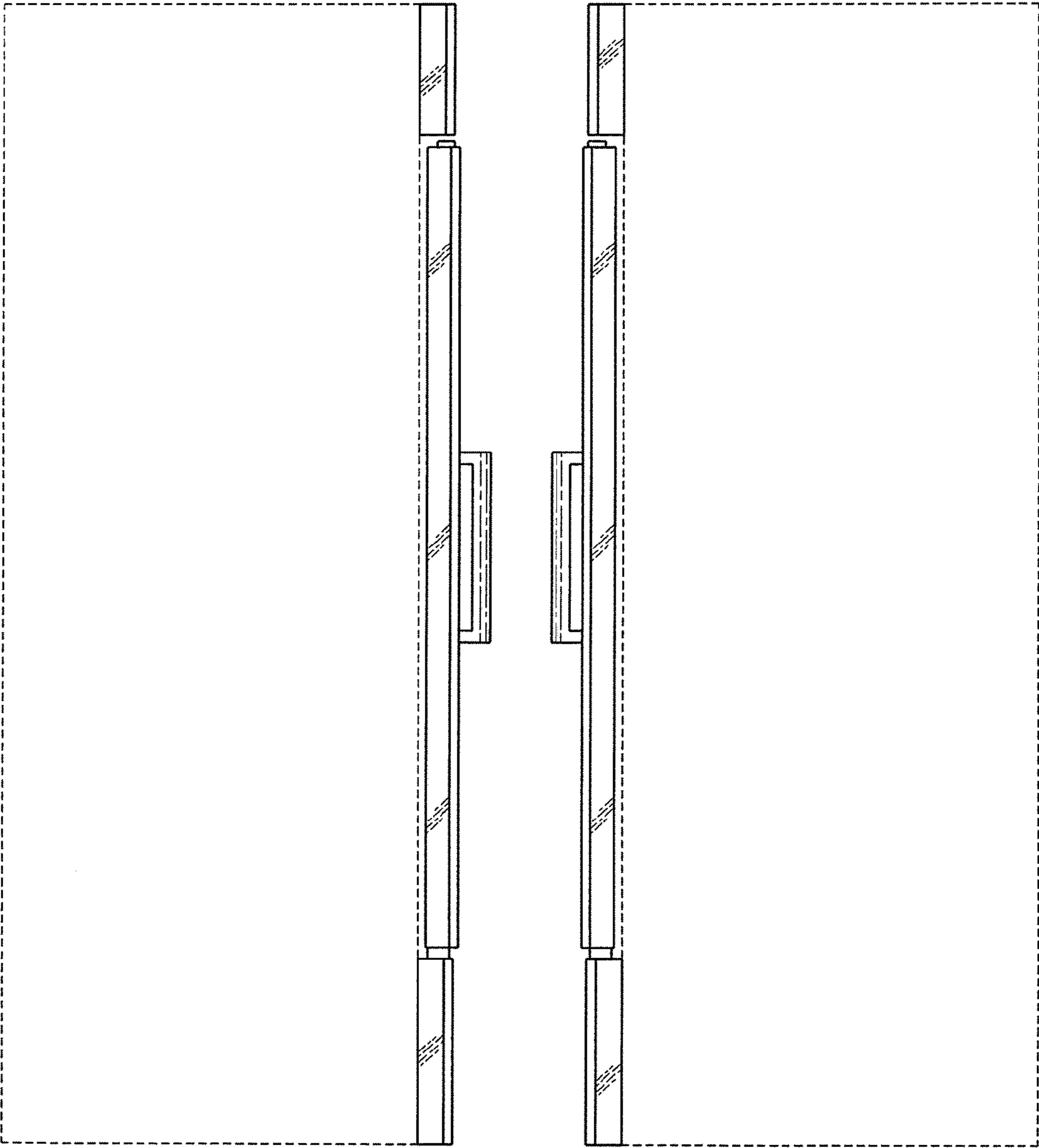


FIG. 6

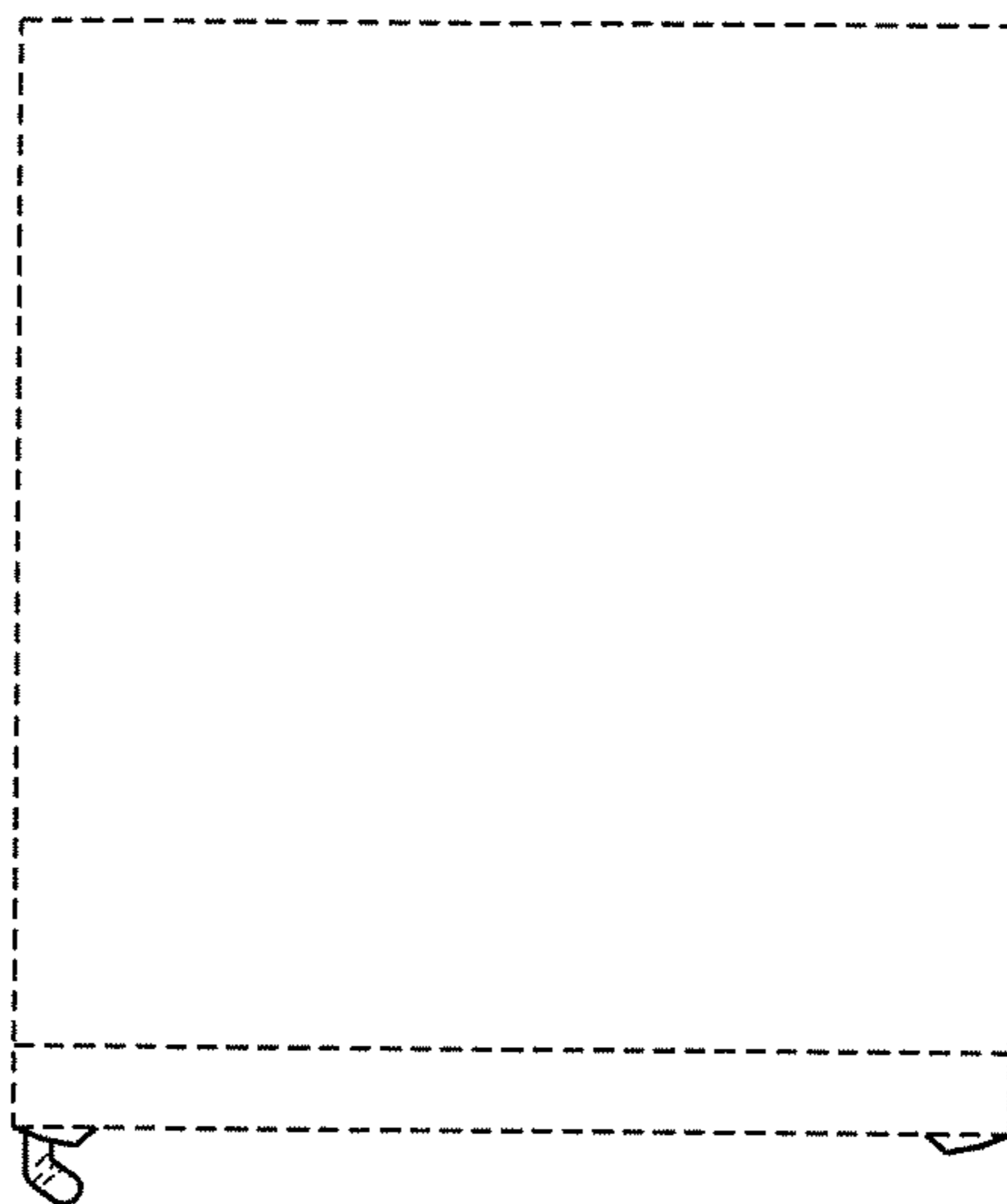


FIG. 7

