



US00D736274S

(12) **United States Design Patent**  
**Lee et al.**

(10) **Patent No.:** **US D736,274 S**  
(45) **Date of Patent:** **\*\* Aug. 11, 2015**

(54) **FILTER COMPARTMENT FOR REFRIGERATOR**  
(71) Applicant: **SAMSUNG ELECTRONICS CO., LTD.**, Suwon-si (KR)  
(72) Inventors: **Jong-Hyub Lee**, Seoul (KR); **Se-Youn Park**, Seoul (KR); **Jun-Kyo Lee**, Daegu (KR); **Hyun-Il Lee**, Seoul (KR); **Sang-Woon Jeon**, Namyangju-si (KR)  
(73) Assignee: **Samsung Electronics Co., Ltd.**, Suwon-si (KR)  
(\*\*) Term: **14 Years**  
(21) Appl. No.: **29/476,503**  
(22) Filed: **Dec. 13, 2013**  
(30) **Foreign Application Priority Data**

Sep. 3, 2013 (KR) ..... 30-2013-0045457

(51) **LOC (10) Cl.** ..... **15-07**

(52) **U.S. Cl.**  
USPC ..... **D15/89**

(58) **Field of Classification Search**  
USPC ..... D15/79-91  
CPC ..... F25B 21/02; F25B 2321/02; F25B 1/005; F25B 2321/0252; F25B 1/00; F25B 1/10; F25B 21/04; F25B 2339/047; F25B 5/02; F25B 7/00; F25B 13/00; F25B 1/053; F25B 2309/06; F25B 2321/021; F25B 2321/023; F25D 23/028; F25D 23/02; F25D 25/025; F25D 23/00; F25D 2323/021; F25D 11/00; F25D 2323/024; F25D 23/04; F25D 29/00; F25D 25/02; F25D 25/024; F25D 27/005; F25D 23/12; F25D 29/005; F25D 17/042; F25D 2325/021

See application file for complete search history.

(56) **References Cited**  
U.S. PATENT DOCUMENTS  
D372,739 S \* 8/1996 Bustos ..... D20/5  
D689,532 S \* 9/2013 Van et al. .... D15/89  
D691,182 S \* 10/2013 Chiorazzi et al. .... D15/90  
D712,440 S \* 9/2014 Coulter et al. .... D15/89

\* cited by examiner  
*Primary Examiner* — Daniel Bui  
*Assistant Examiner* — Khawaja Anwar  
(74) *Attorney, Agent, or Firm* — Ladas & Parry LLP

(57) **CLAIM**  
We claim the ornamental design for a filter compartment for refrigerator, as shown and described.

**DESCRIPTION**

FIG. 1 is a front perspective view of a filter compartment for refrigerator showing our new design; FIG. 2 is a front elevation view thereof; FIG. 3 is a rear elevation view thereof; FIG. 4 is a left-side elevation view thereof; FIG. 5 is a right-side elevation view thereof; FIG. 6 is a top plan view thereof; FIG. 7 is a bottom plan view thereof; and, FIG. 8 is a perspective view showing the filter compartment in use with a cover of the filter case open. The broken lines in the drawings illustrate environmental structure and form no part of the claimed design.

**1 Claim, 5 Drawing Sheets**

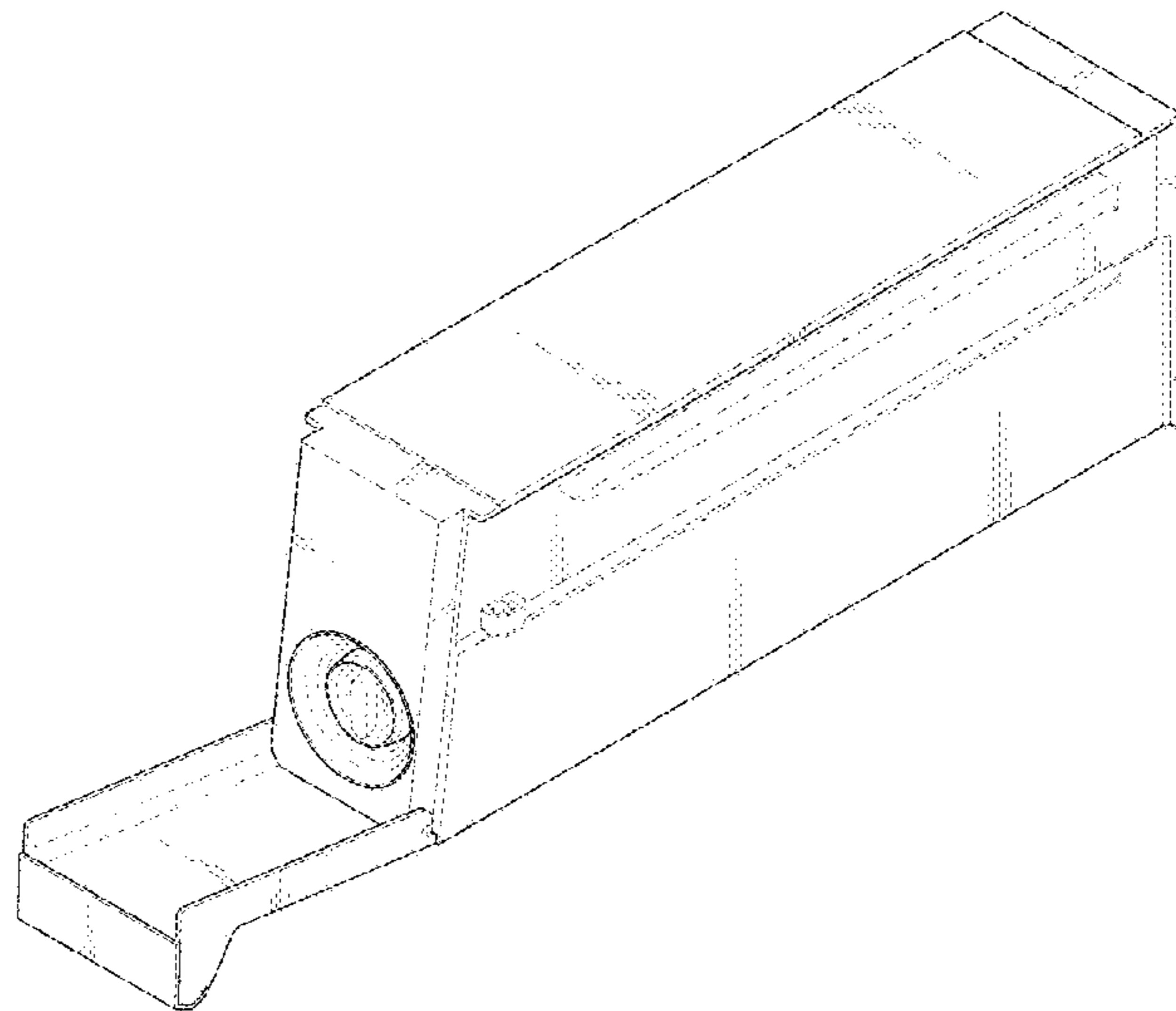
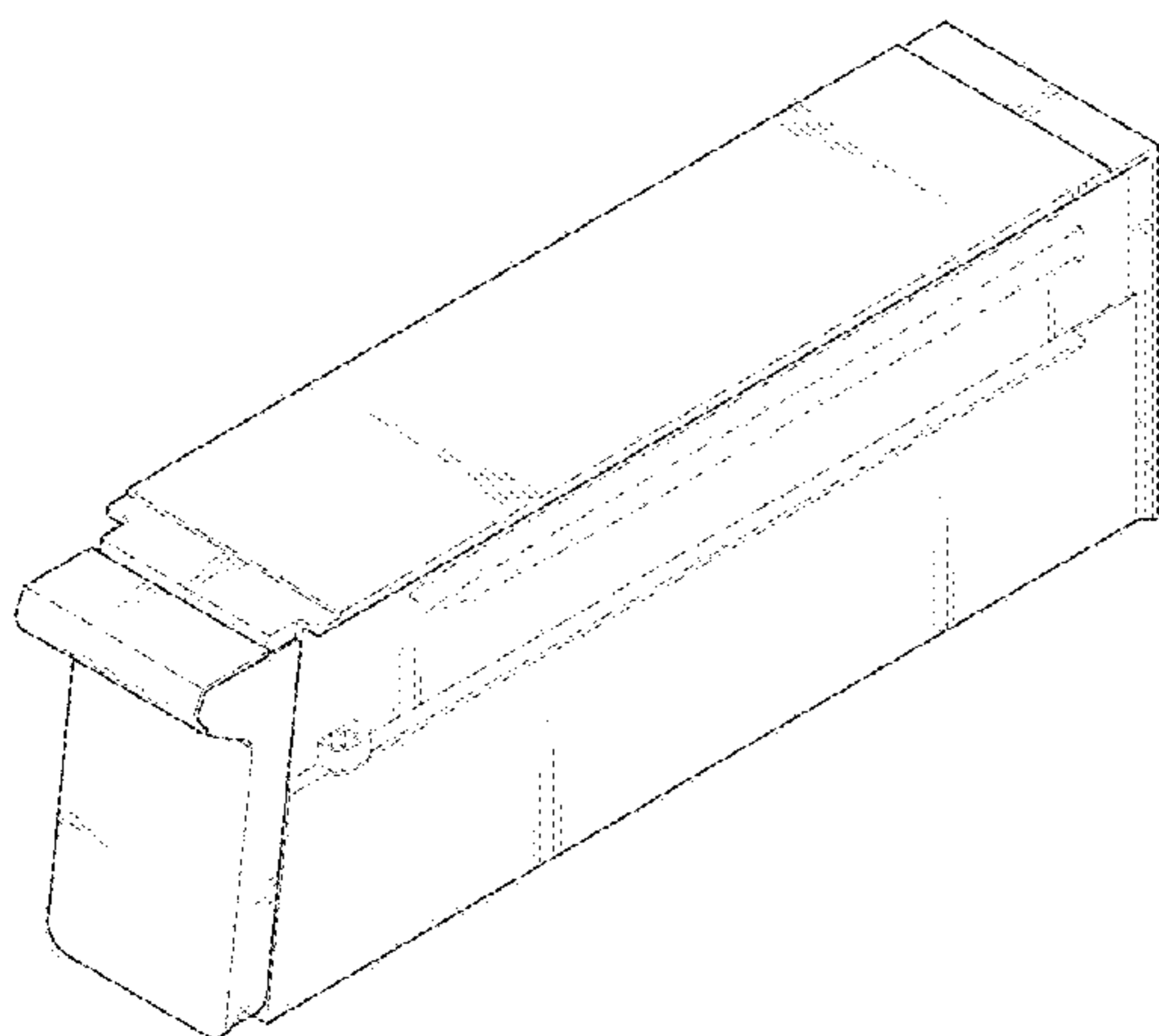


FIG. 1

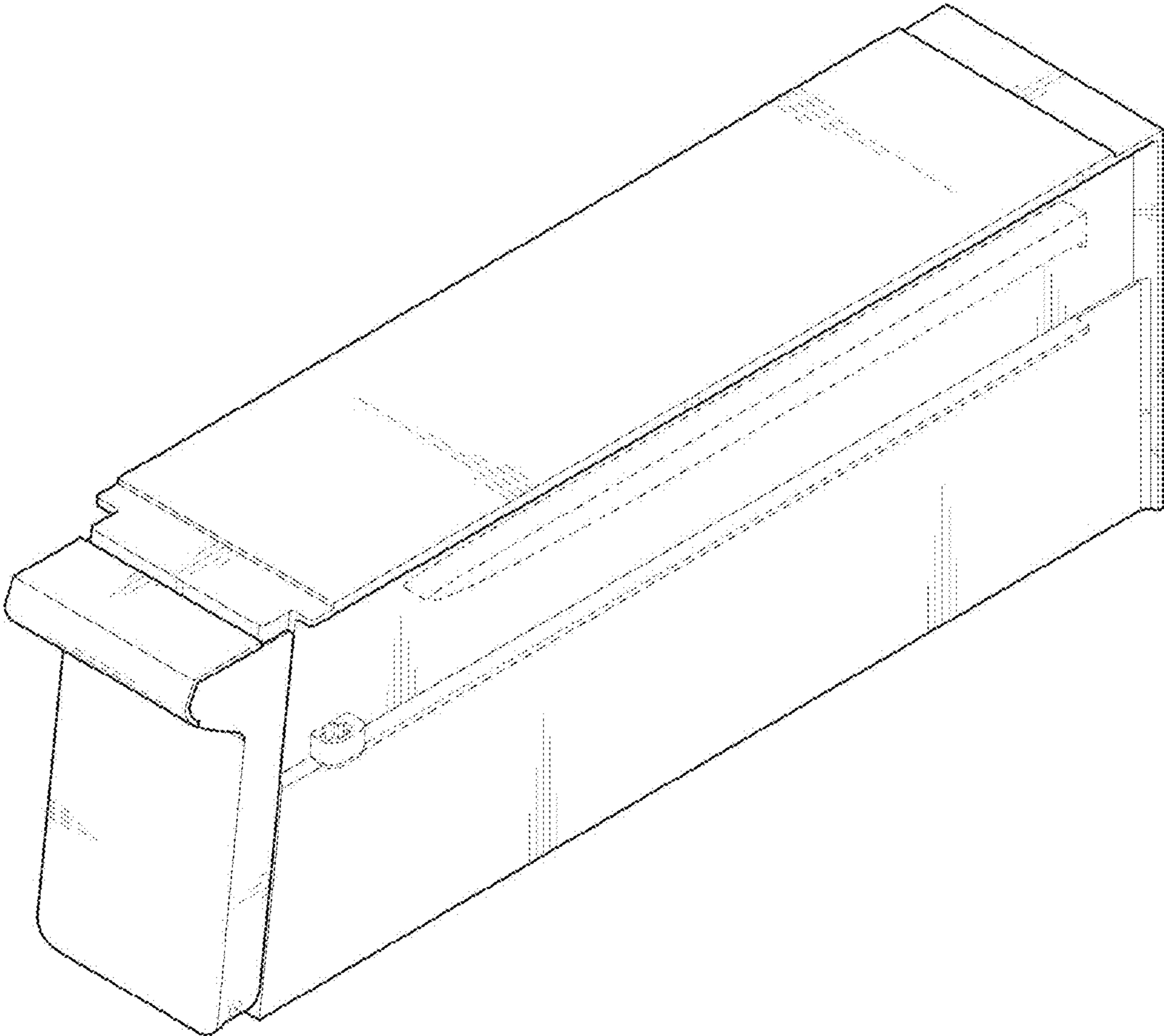


FIG. 2

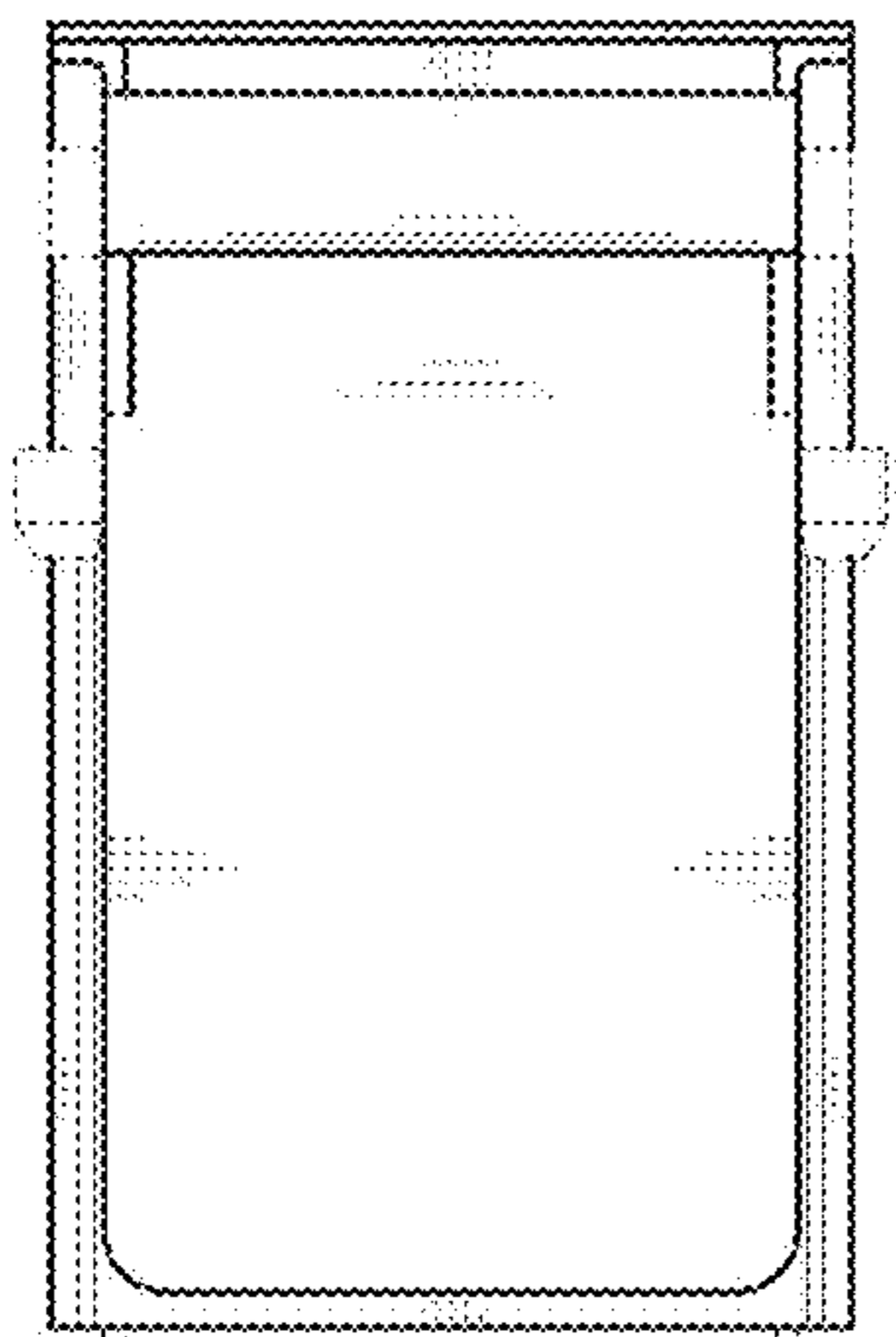


FIG. 3

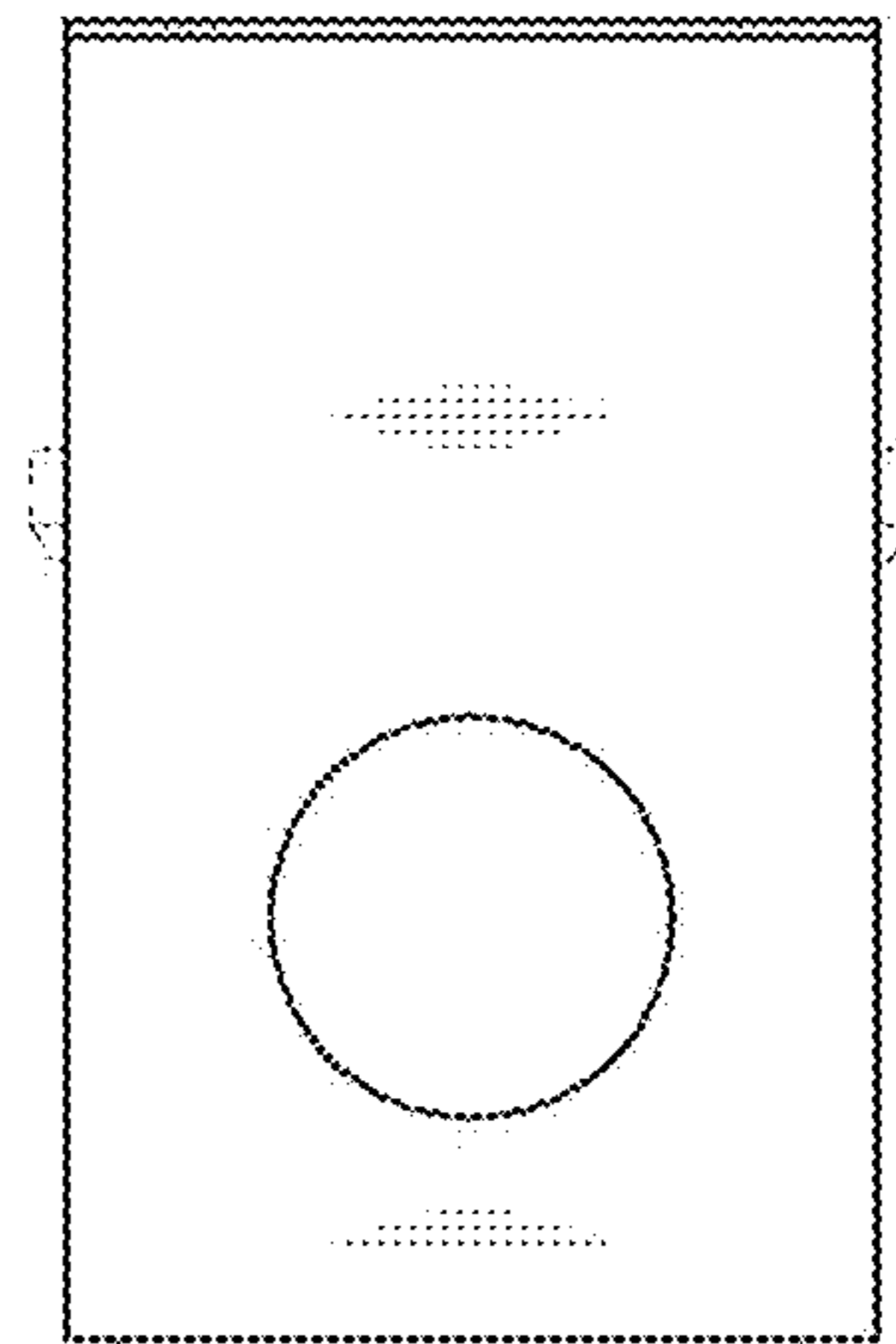


FIG. 4

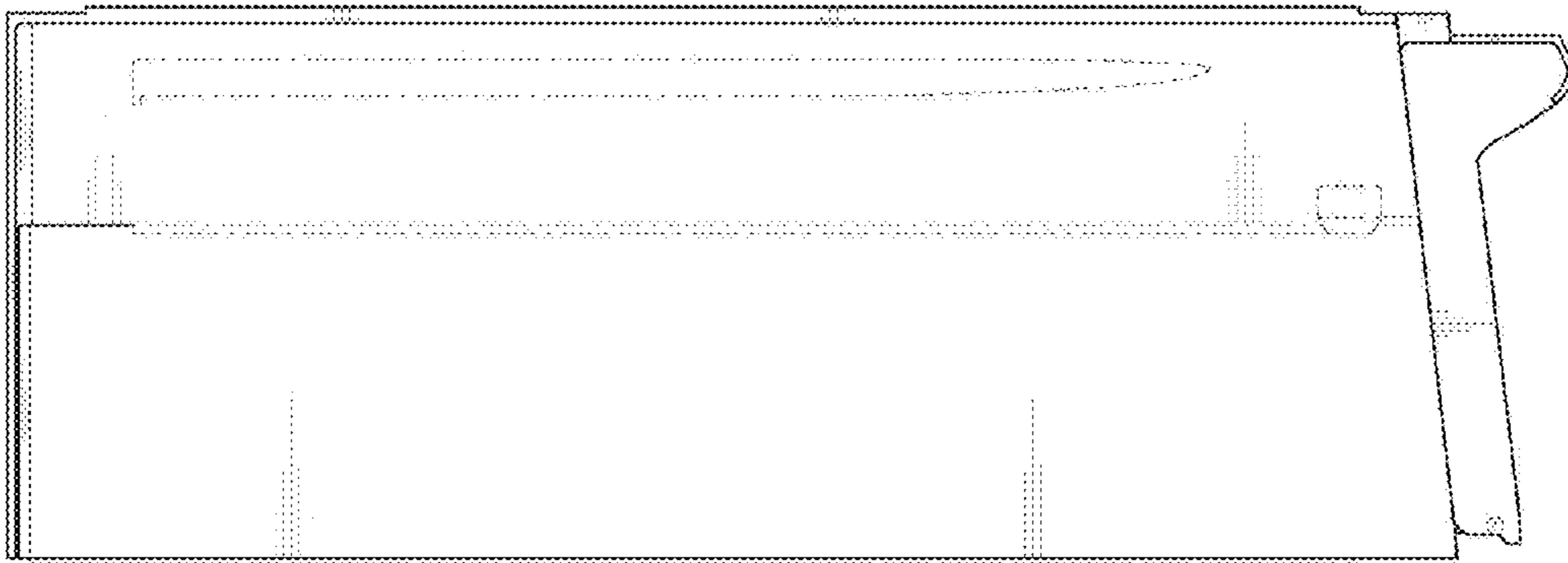


FIG. 5

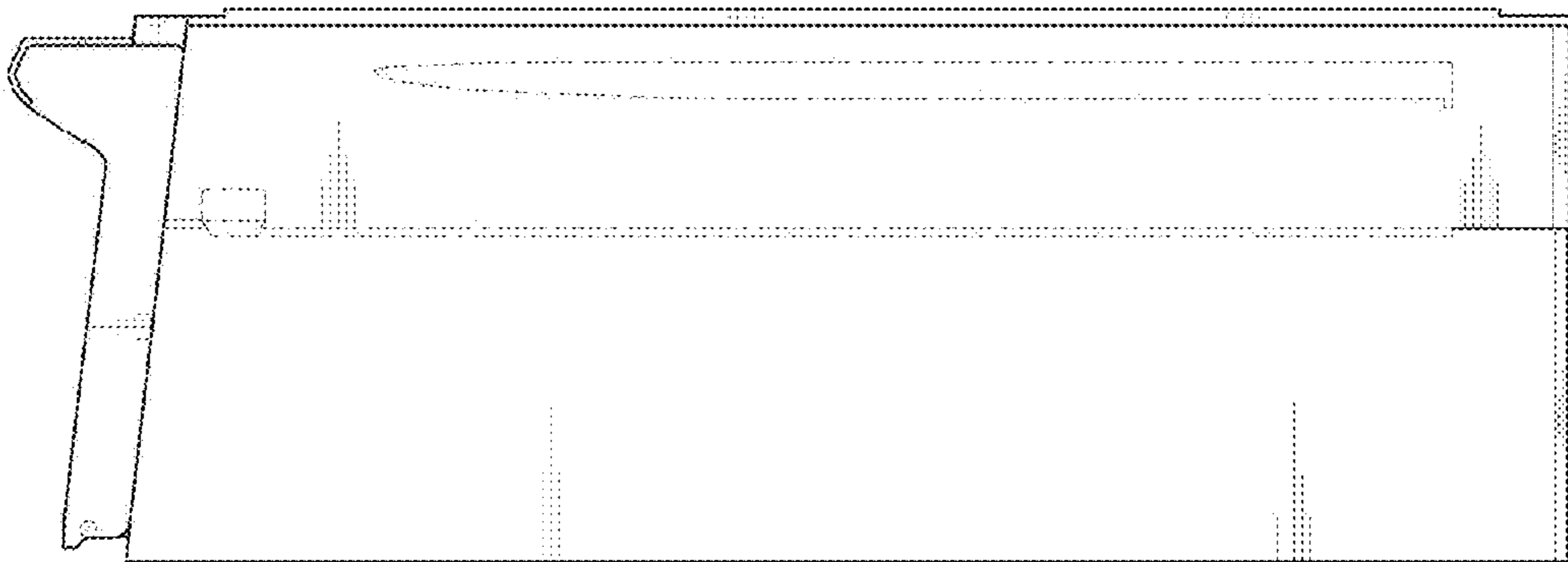


FIG. 6

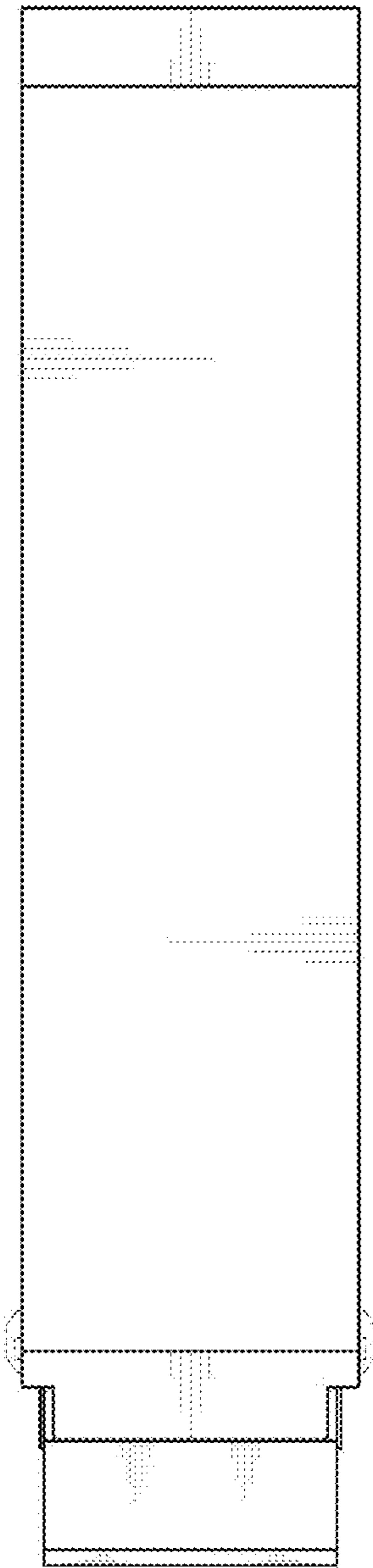


FIG. 7

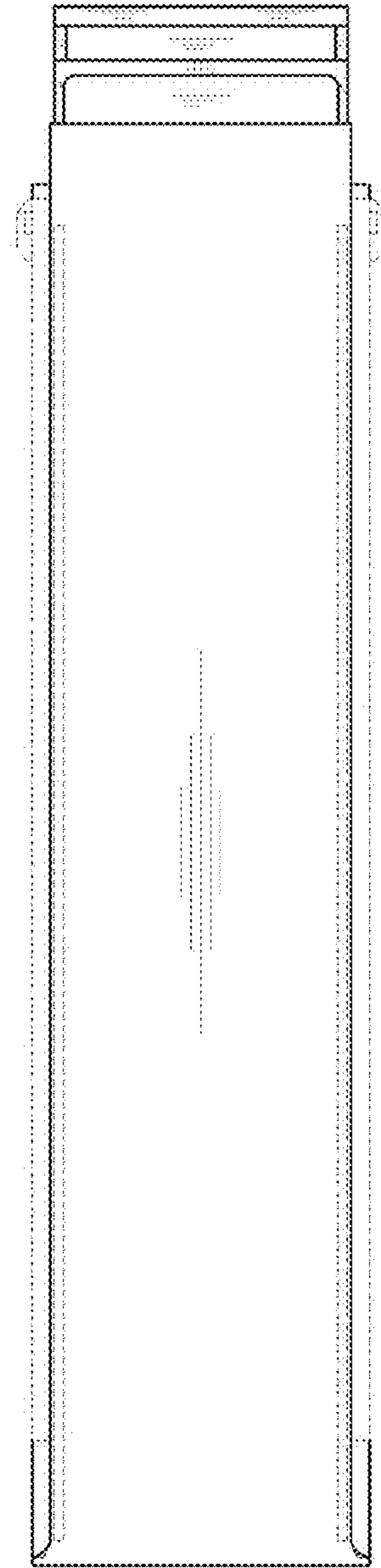


FIG. 8

