



US00D736273S

(12) **United States Design Patent**
Bu et al.

(10) **Patent No.:** **US D736,273 S**

(45) **Date of Patent:** **** Aug. 11, 2015**

(54) **COOLING UNIT FOR REFRIGERATOR**

F25D 2323/024; F25D 23/04; F25D 29/00;
F25D 25/02; F25D 25/024; F25D 27/005;
F25D 23/12; F25D 29/005; F25D 17/042;
F25D 2325/021

(71) Applicant: **SAMSUNG ELECTRONICS CO., LTD.**, Suwon-si (KR)

See application file for complete search history.

(72) Inventors: **Min-Hyouk Bu**, Seoul (KR); **Se-Youn Park**, Seoul (KR); **Jong-Hyub Lee**, Seoul (KR); **Jun-Kyo Lee**, Daegu (KR); **Hyun-II Lee**, Seoul (KR); **Sang-Woon Jeon**, Namyangju-si (KR)

(56) **References Cited**

U.S. PATENT DOCUMENTS

D511,535 S * 11/2005 Grobleben D15/89
D512,731 S * 12/2005 Grobleben D15/89
D710,914 S * 8/2014 Park et al. D15/89

* cited by examiner

(73) Assignee: **Samsung Electronics CO., Ltd.**, Suwon-Si (KR)

Primary Examiner — Daniel Bui

Assistant Examiner — Khawaja Anwar

(**) Term: **14 Years**

(74) *Attorney, Agent, or Firm* — Ladas & Parry LLP

(21) Appl. No.: **29/476,005**

(22) Filed: **Dec. 10, 2013**

(57) **CLAIM**

We claim the ornamental design for a cooling unit for refrigerator, as shown and described.

(30) **Foreign Application Priority Data**

Sep. 3, 2013 (KR) 30-2013-0045456

DESCRIPTION

(51) **LOC (10) Cl.** **15-07**

(52) **U.S. Cl.**
USPC **D15/89**

(58) **Field of Classification Search**
USPC D15/79-91
CPC F25B 21/02; F25B 2321/02; F25B 1/005;
F25B 2321/0252; F25B 1/00; F25B 1/10;
F25B 21/04; F25B 2339/047; F25B 5/02;
F25B 7/00; F25B 13/00; F25B 1/053; F25B
2309/06; F25B 2321/021; F25B 2321/023;
F25D 23/028; F25D 23/02; F25D 25/025;
F25D 23/00; F25D 2323/021; F25D 11/00;

FIG. 1 is a front perspective view of a cooling unit for refrigerator showing our new design;
FIG. 2 is a front elevation view thereof;
FIG. 3 is a rear elevation view thereof;
FIG. 4 is a left-side elevation view thereof;
FIG. 5 is a right-side elevation view thereof;
FIG. 6 is a top plan view thereof; and,
FIG. 7 is a bottom plan view thereof.

The broken lines in the drawings illustrate environmental structure and form no part of the claimed design.

1 Claim, 4 Drawing Sheets

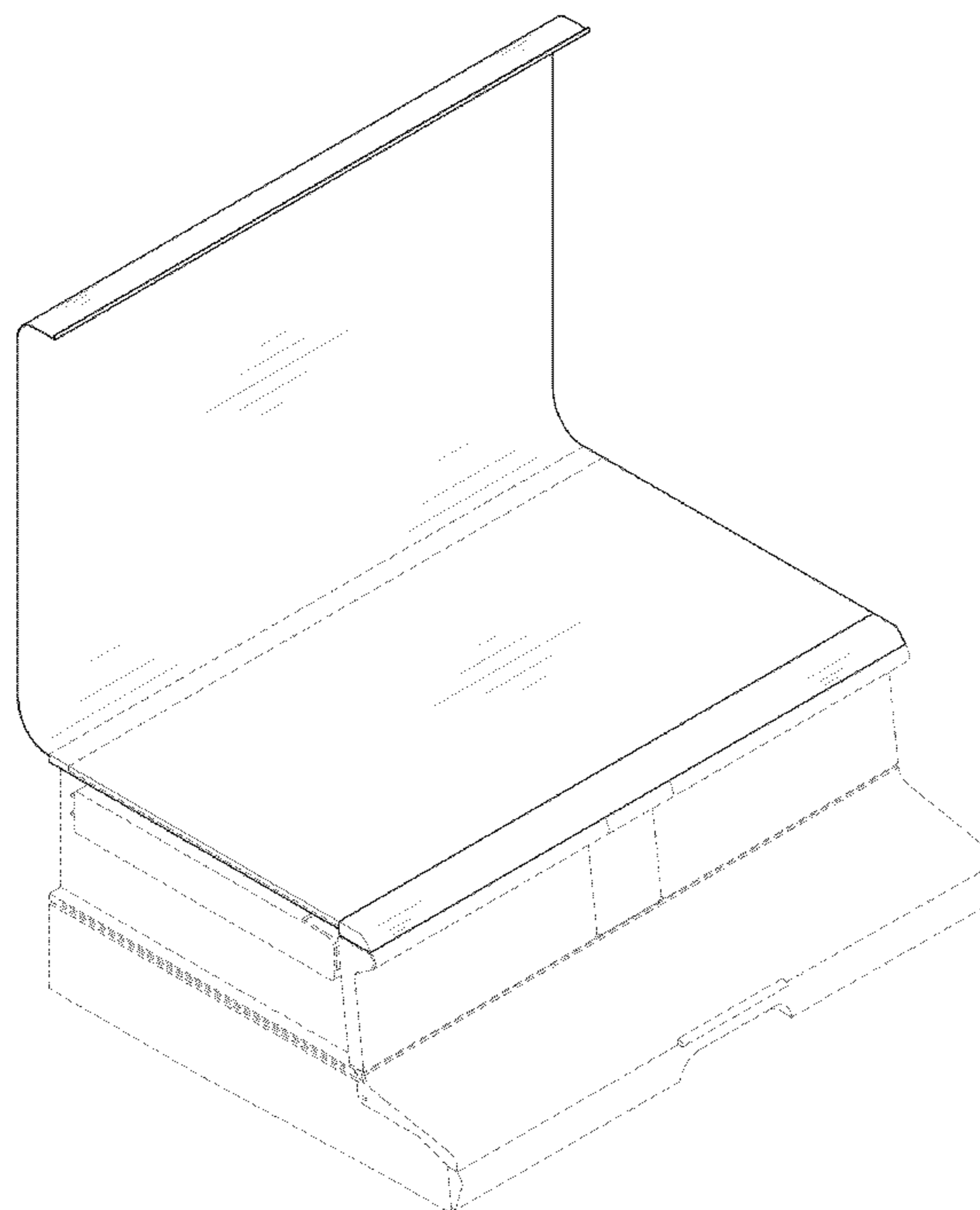


FIG. 1

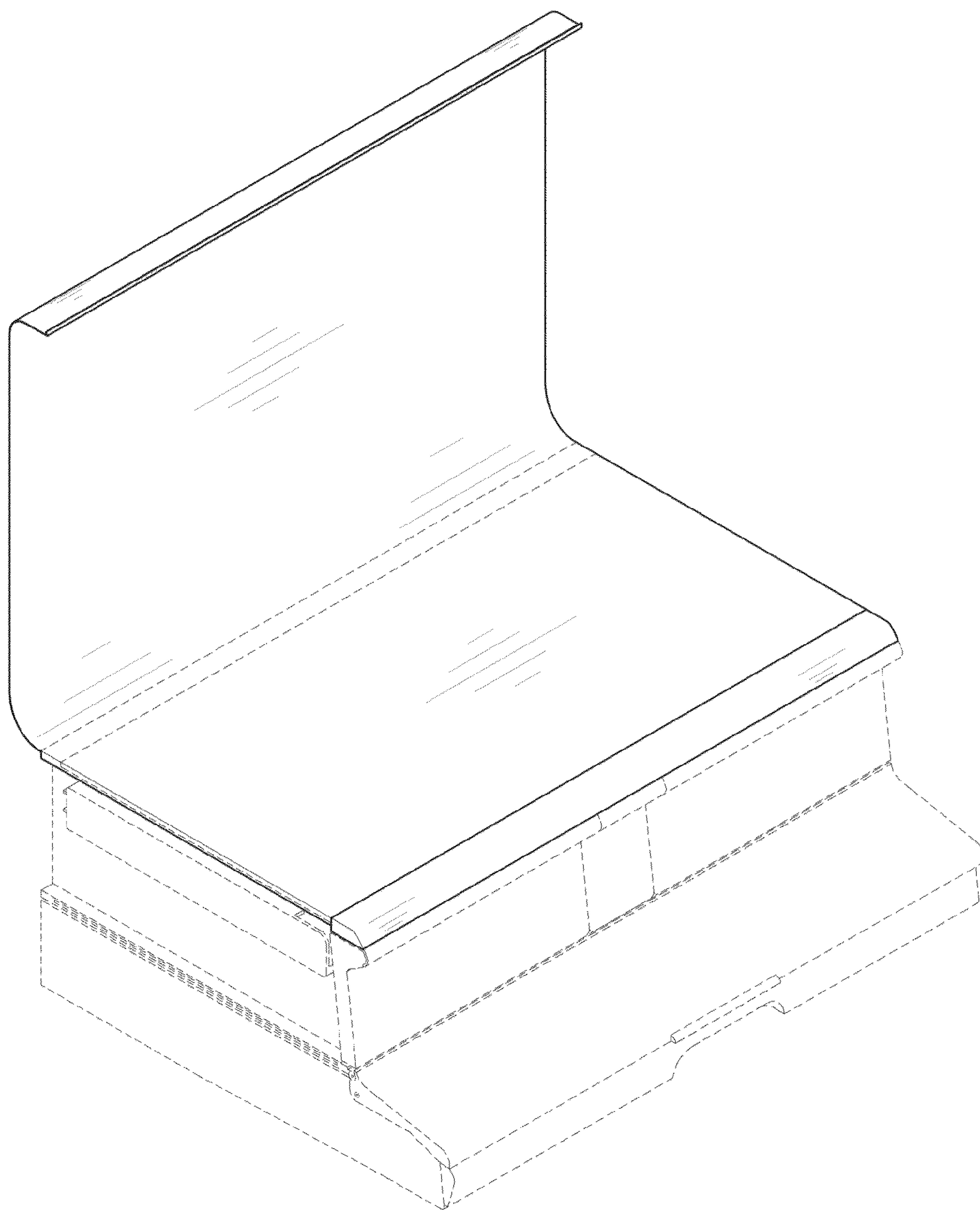


FIG. 2

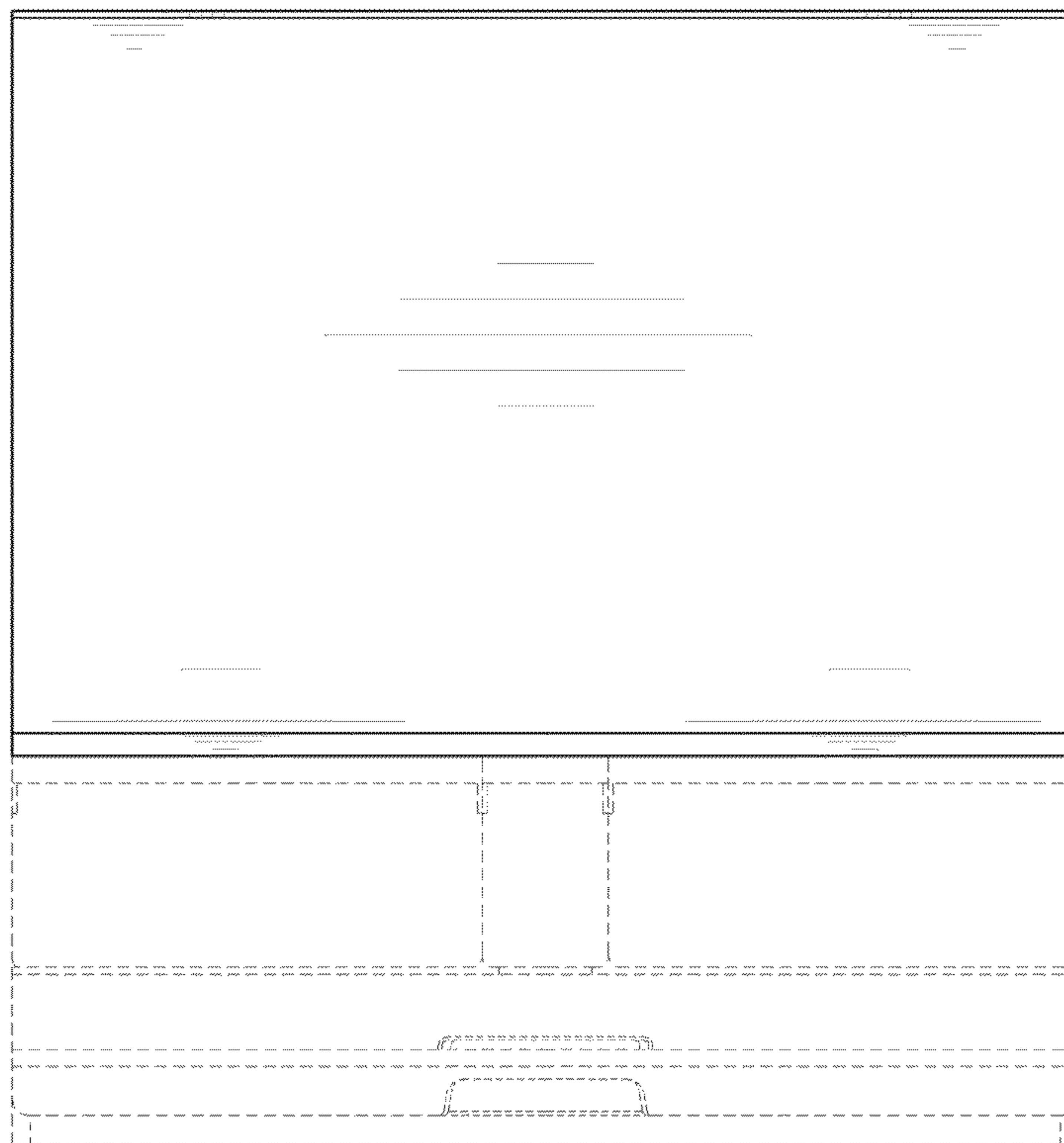


FIG. 3

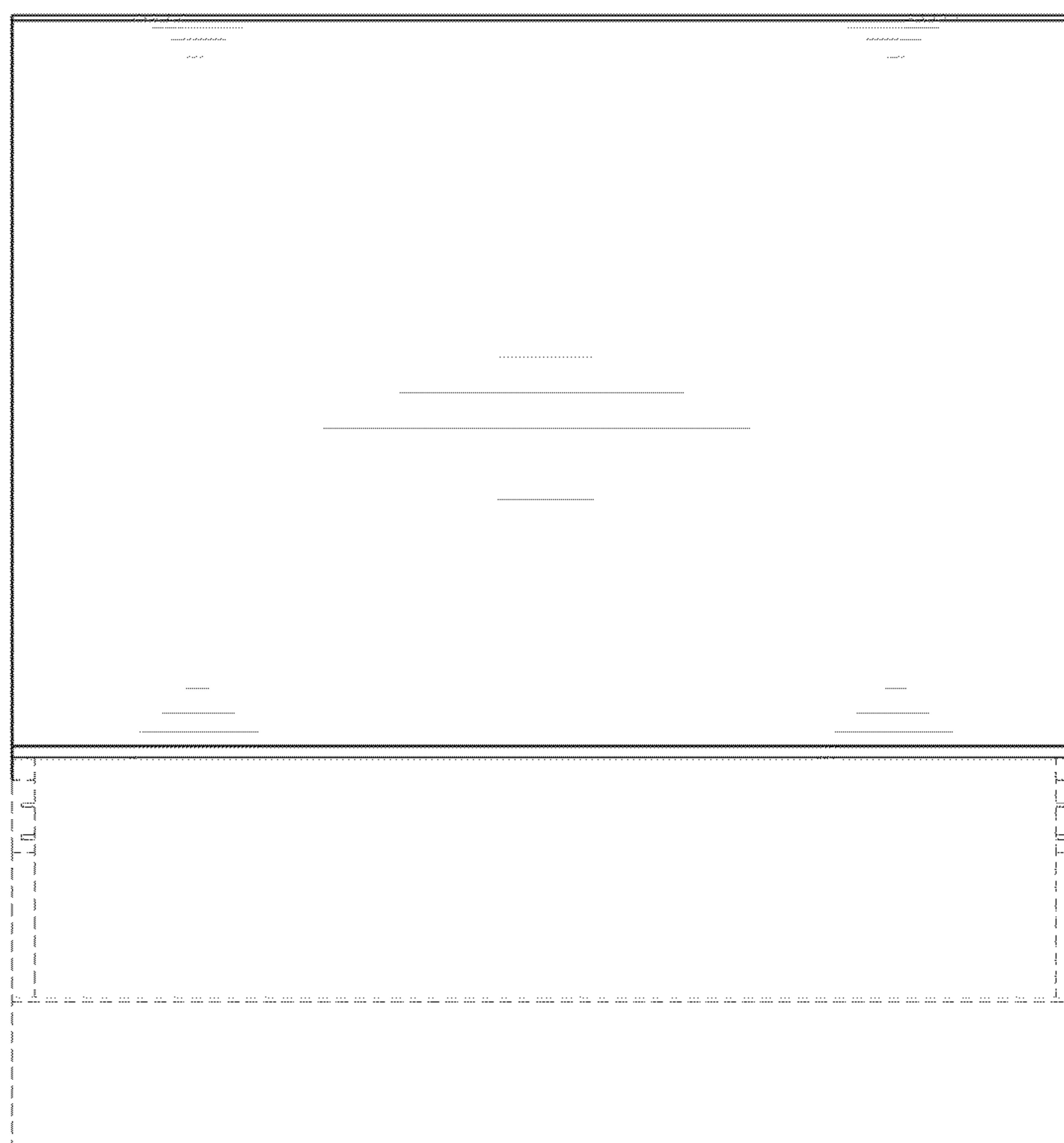


FIG. 4

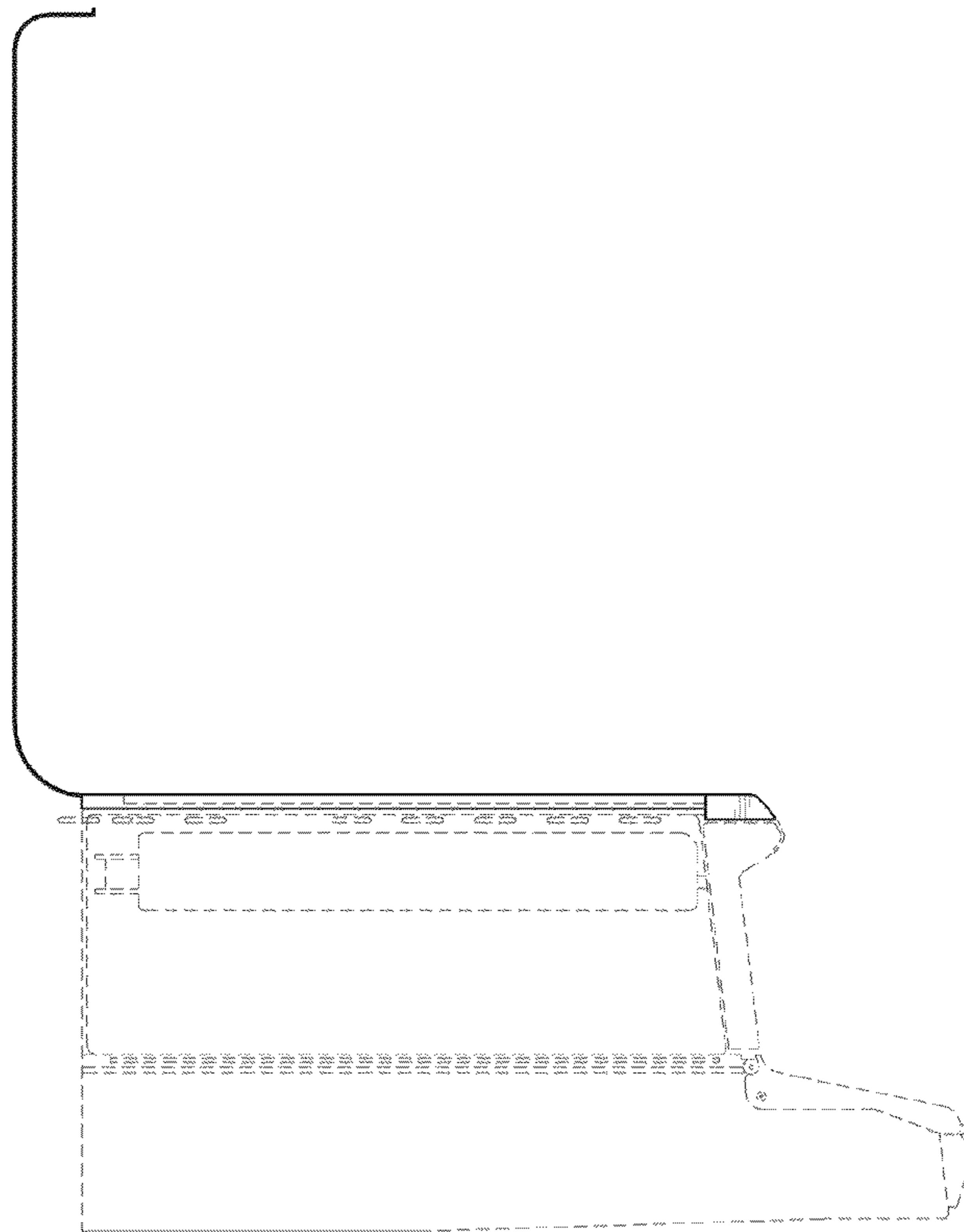


FIG. 5

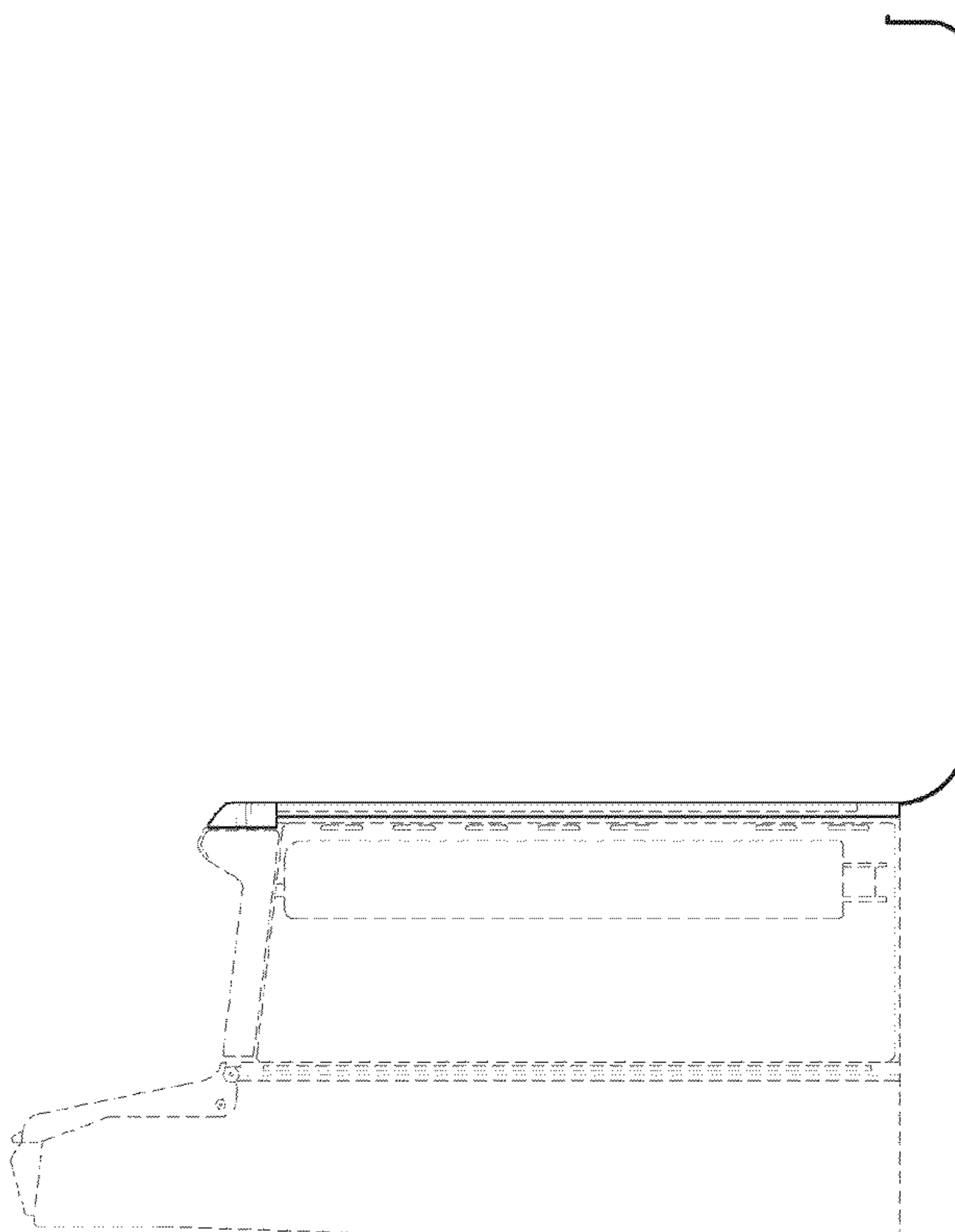


FIG. 6

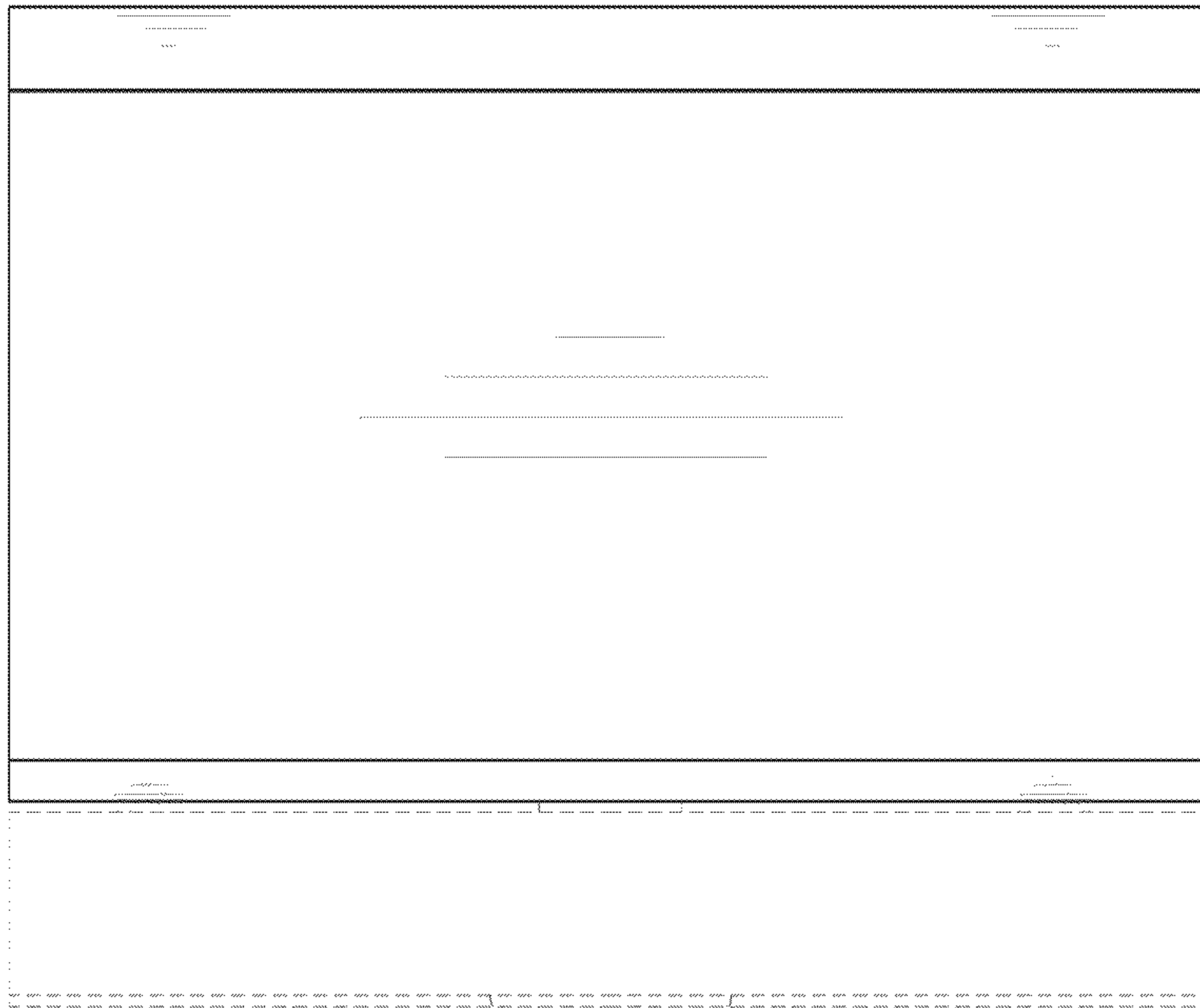


FIG. 7

