



US00D736270S

(12) **United States Design Patent**  
**Jackson et al.**

(10) **Patent No.:** **US D736,270 S**

(45) **Date of Patent:** **\*\* Aug. 11, 2015**

(54) **OPERATOR'S CAB**  
(71) Applicant: **CNH America, LLC**, New Holland, PA (US)  
(72) Inventors: **Dwayne Jackson**, Plainfield, IL (US);  
**Aaron Richard**, Berwyn, IL (US);  
**Stefano Fiorati**, Occhiobello (IT)  
(73) Assignee: **CNH Industrial America LLC**, New Holland, PA (US)

(\*\*) Term: **14 Years**

(21) Appl. No.: **29/471,566**

(22) Filed: **Nov. 1, 2013**

(51) **LOC (10) Cl.** ..... **15-03**

(52) **U.S. Cl.**  
USPC ..... **D15/30**

(58) **Field of Classification Search**  
USPC ..... D15/10, 22-26, 28, 31, 30; D12/401;  
180/89.11, 89.12, 89.13, 89.19, 900;  
296/190.01, 190.08, 210, 190, 202;  
280/419, 426, 124.11

See application file for complete search history.

(56) **References Cited**

U.S. PATENT DOCUMENTS

D317,011 S *	5/1991	Boddin et al. ....	D15/30
D355,423 S *	2/1995	Woods et al. ....	D15/23
D498,245 S *	11/2004	Kuwae et al. ....	D15/23
D519,130 S *	4/2006	Higashikawa et al. ....	D15/23
D527,026 S *	8/2006	Kuwae et al. ....	D15/23
D528,134 S *	9/2006	Vandendriessche et al. ...	D15/30
D531,646 S *	11/2006	McCarren et al. ....	D15/30
D555,674 S *	11/2007	Kuwae ....	D15/23
D564,544 S *	3/2008	Higashikawa et al. ....	D15/23
D602,047 S *	10/2009	Kushita et al. ....	D15/23
D603,881 S *	11/2009	Tamplain et al. ....	D15/30
D605,207 S *	12/2009	Menges et al. ....	D15/30

D613,776 S *	4/2010	Bianco et al. ....	D15/33
D613,777 S *	4/2010	Bianco et al. ....	D15/33
D625,246 S *	10/2010	Major ....	D12/401
D641,027 S *	7/2011	Kawashiri et al. ....	D15/23
D660,881 S *	5/2012	Bohme et al. ....	D15/30
D667,851 S *	9/2012	Warr ....	D15/30
D668,693 S *	10/2012	Ringer ....	D15/30
D670,745 S *	11/2012	Warr ....	D15/30
D671,566 S *	11/2012	Fang et al. ....	D15/30

\* cited by examiner

*Primary Examiner* — Mark Goodwin

(74) *Attorney, Agent, or Firm* — Sue C. Watson

(57) **CLAIM**

The ornamental design for an operator's cab, as shown and described.

**DESCRIPTION**

FIG. 1 is a perspective view of the operator's cab according to an aspect of the present invention.

FIG. 2 is a front view of the operator's cab illustrated in FIG. 1.

FIG. 3 is a rear view of the operator's cab illustrated in FIG. 1.

FIG. 4 is a top view of the operator's cab illustrated in FIG. 1.

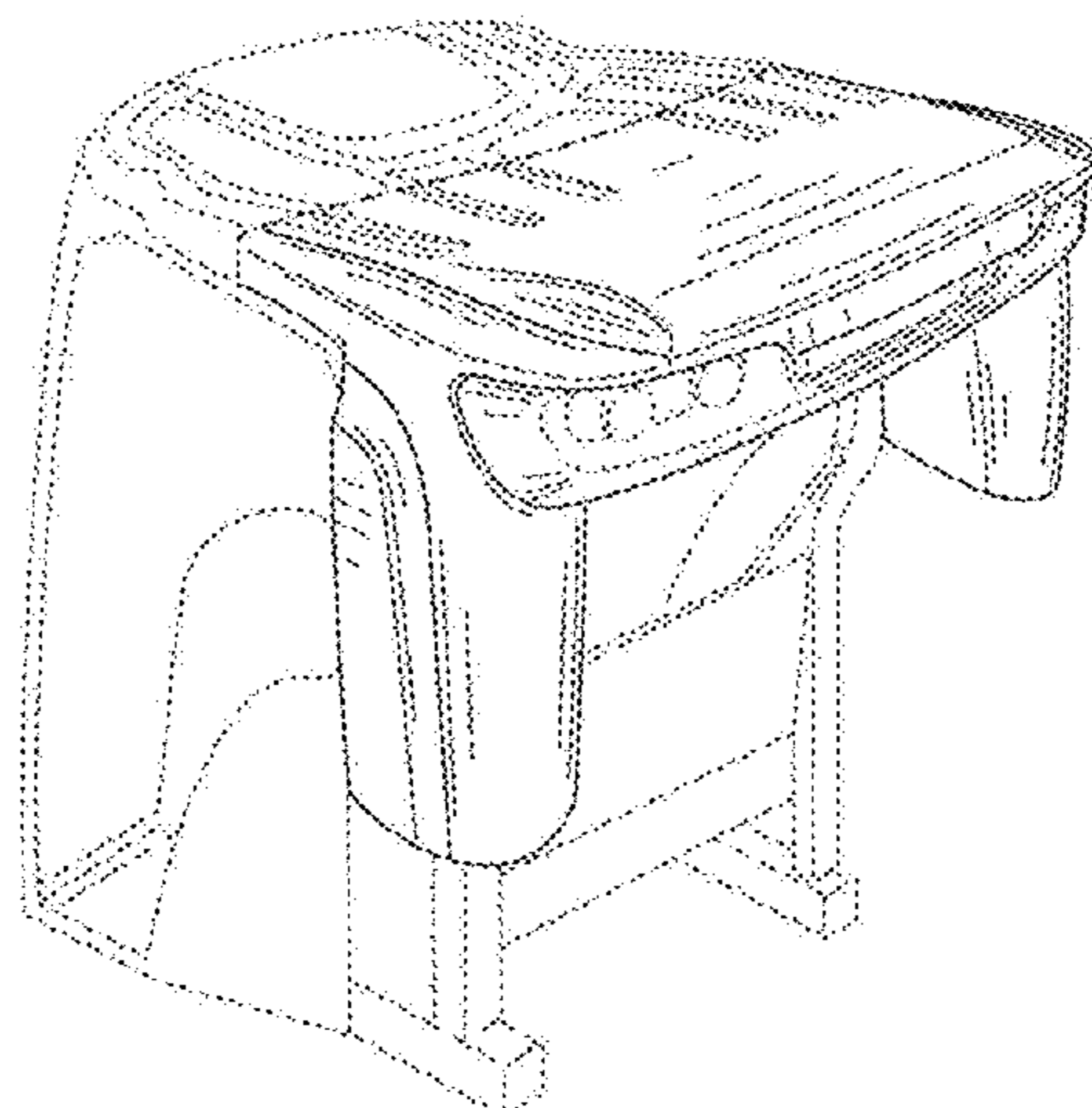
FIG. 5 is a bottom view of the operator's cab illustrated in FIG. 1.

FIG. 6 is a first side view of the operator's cab illustrated in FIG. 1.

FIG. 7 is a second side view of the operator's cab illustrating in FIG. 1; and,

FIG. 8 is another perspective view of the operator's cab illustrated in FIG. 1, particularly illustrating the operator's cab installed onto a work vehicle, such as an agricultural vehicle. The surface shading and broken lines shown in FIGS. 1-8 represent portions of the operator's cab that form no part of the claimed design.

**1 Claim, 7 Drawing Sheets**



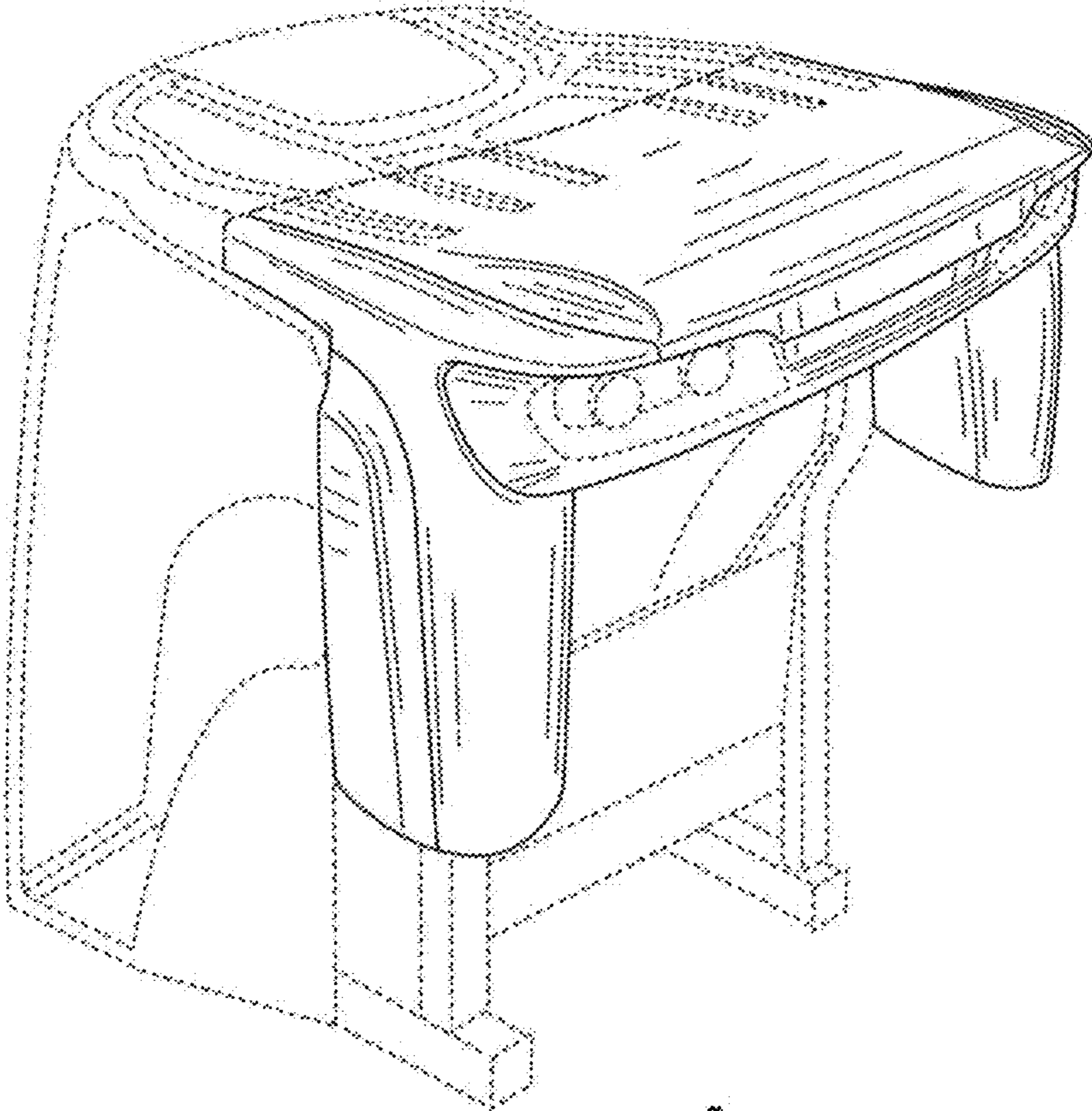


FIG. 1

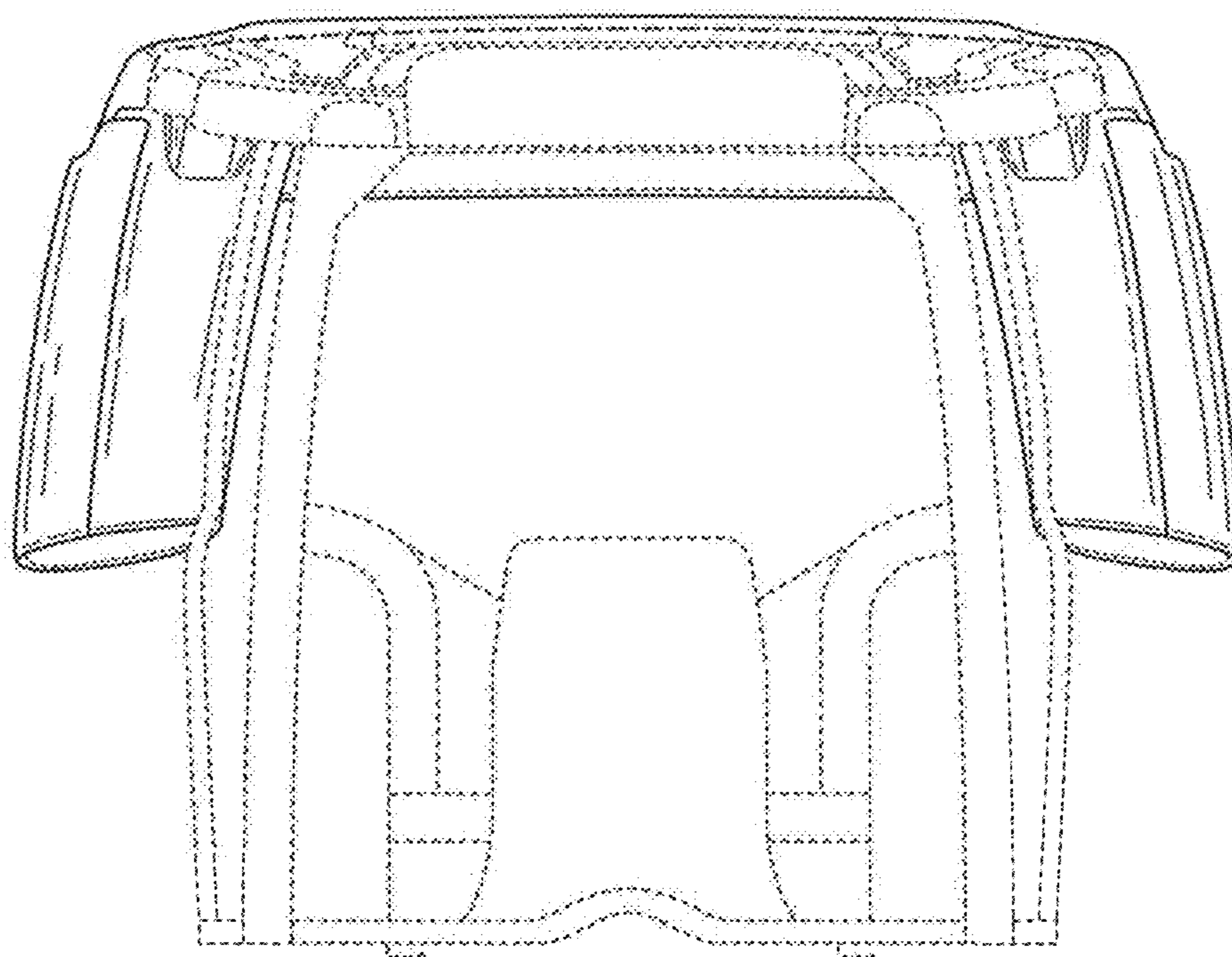


FIG. 2

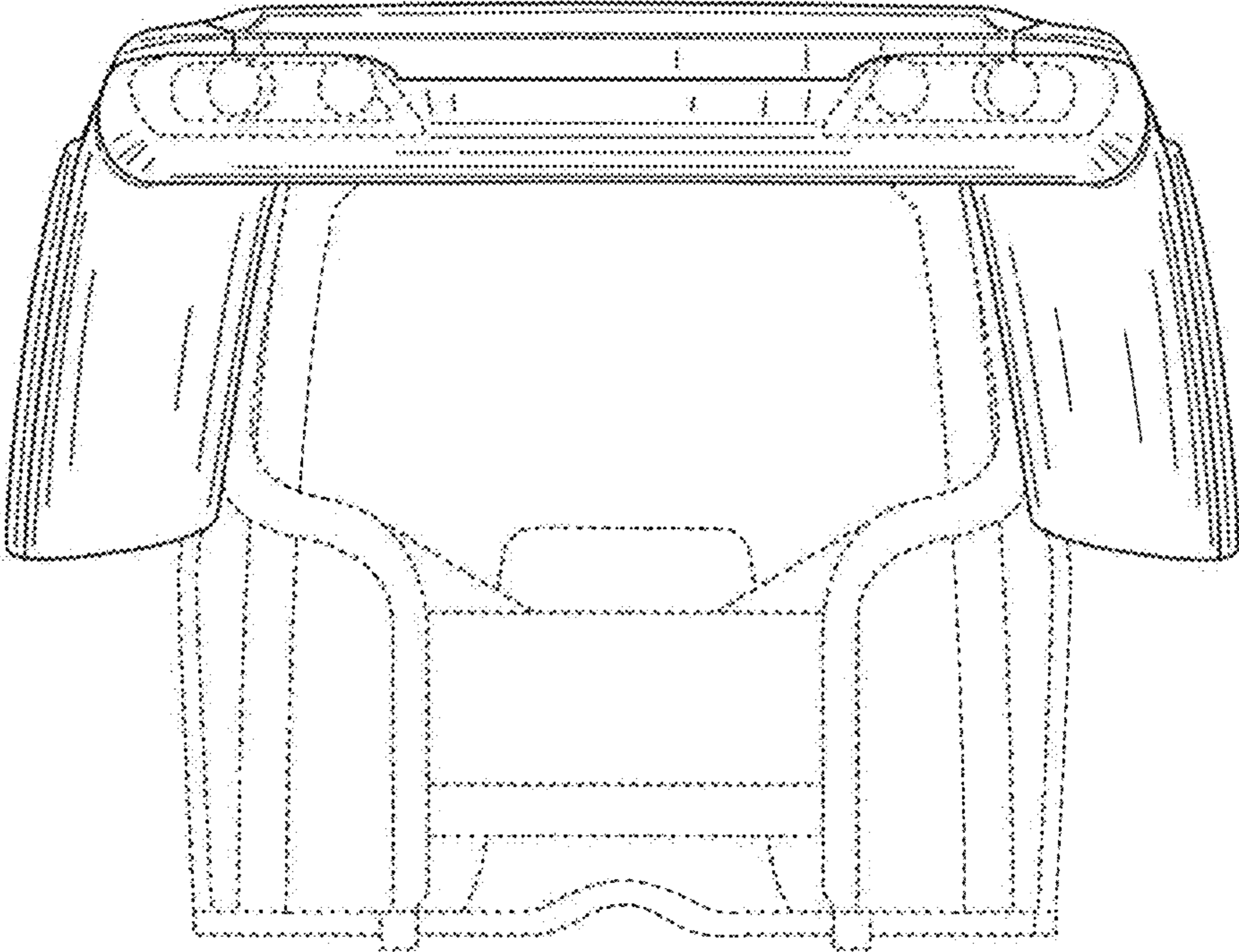
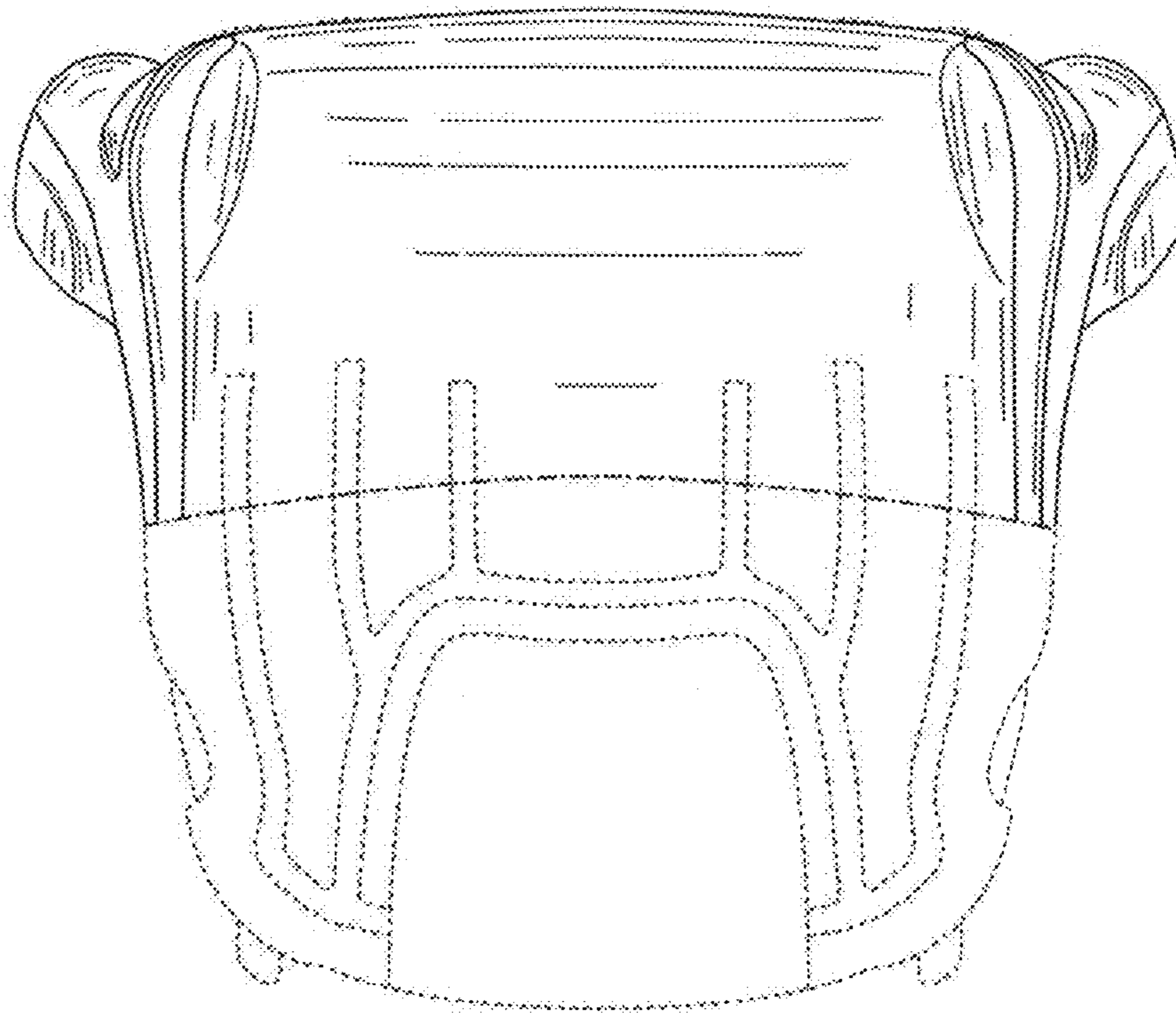


FIG. 3



**FIG. 4**

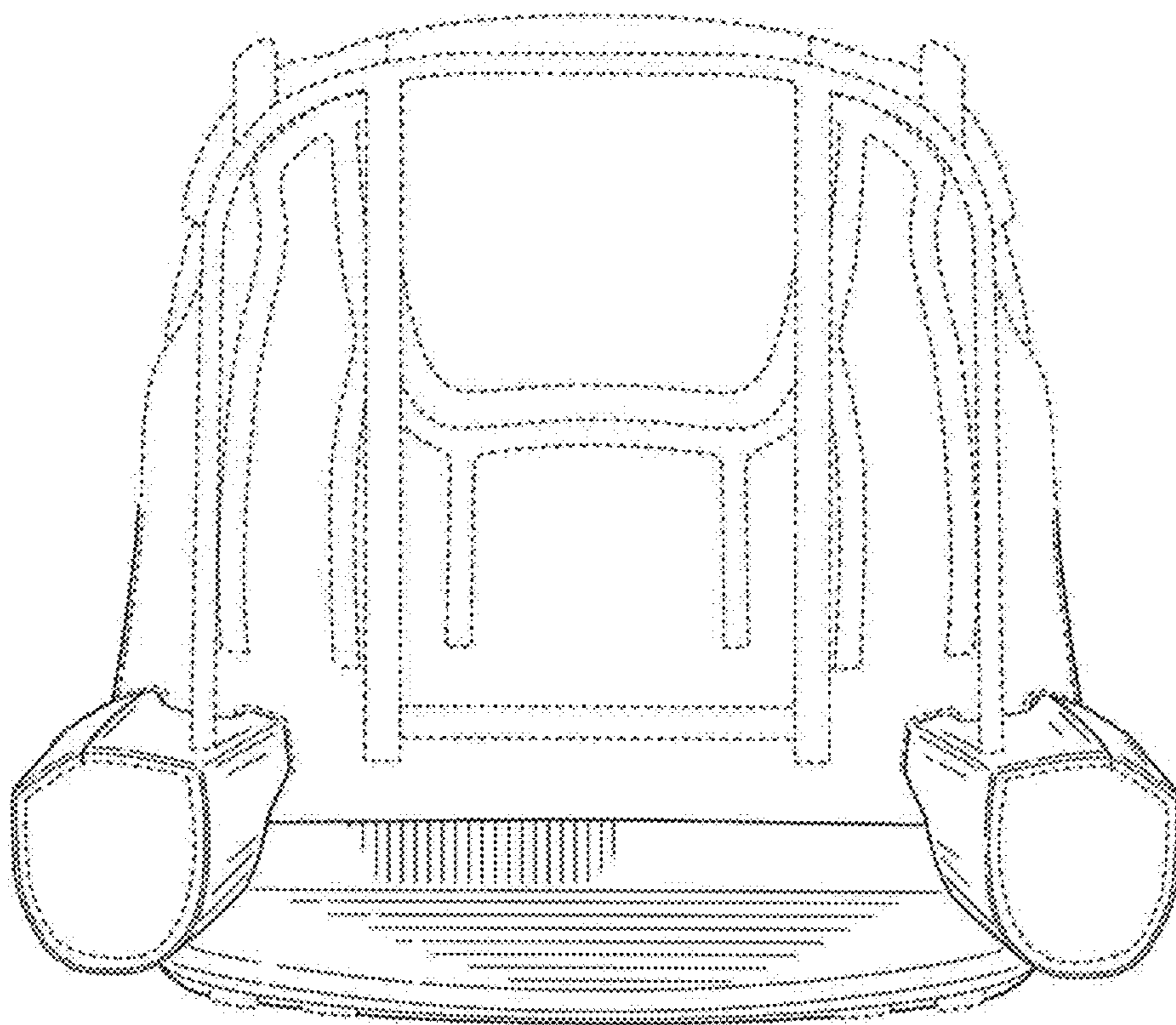
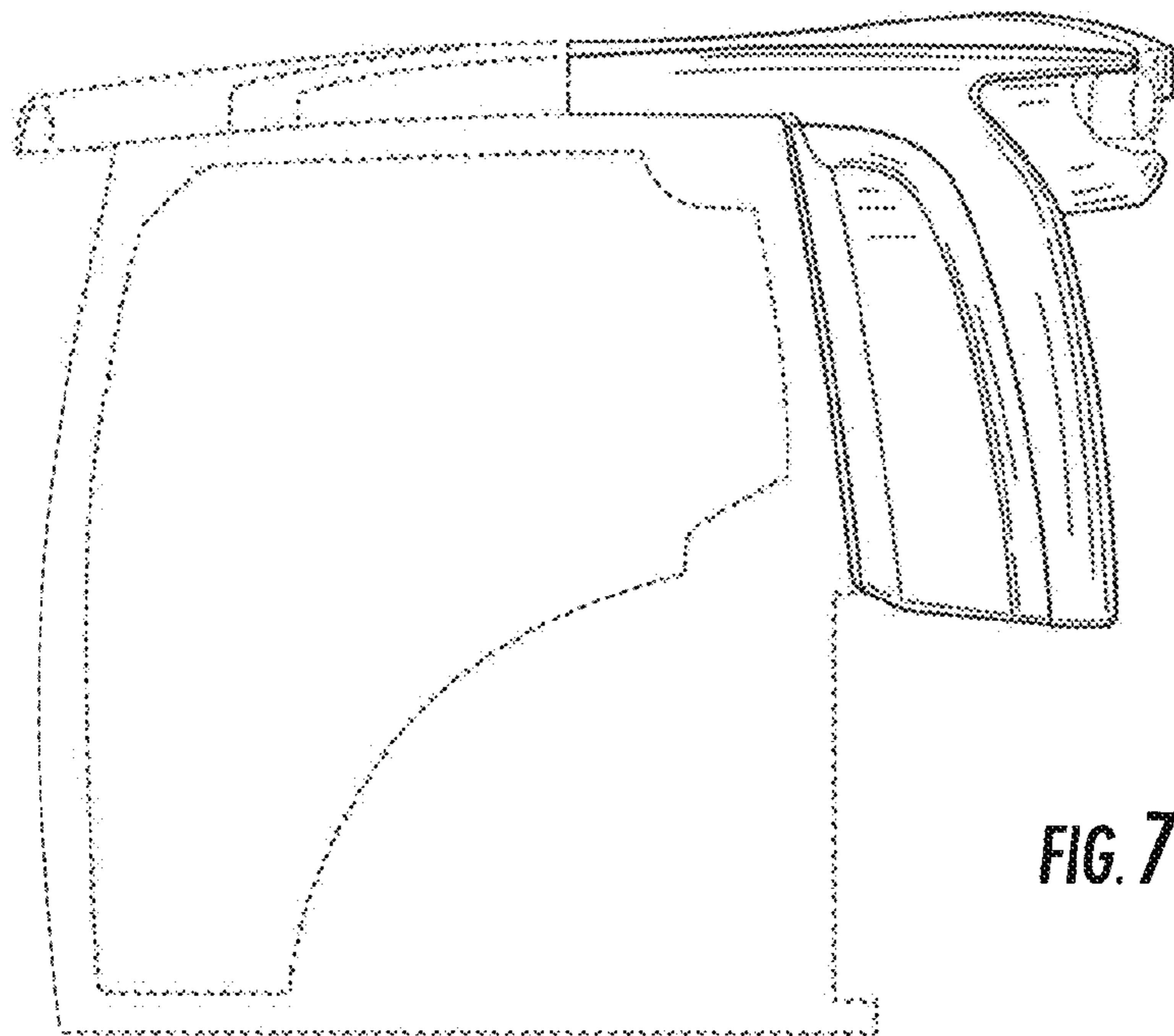
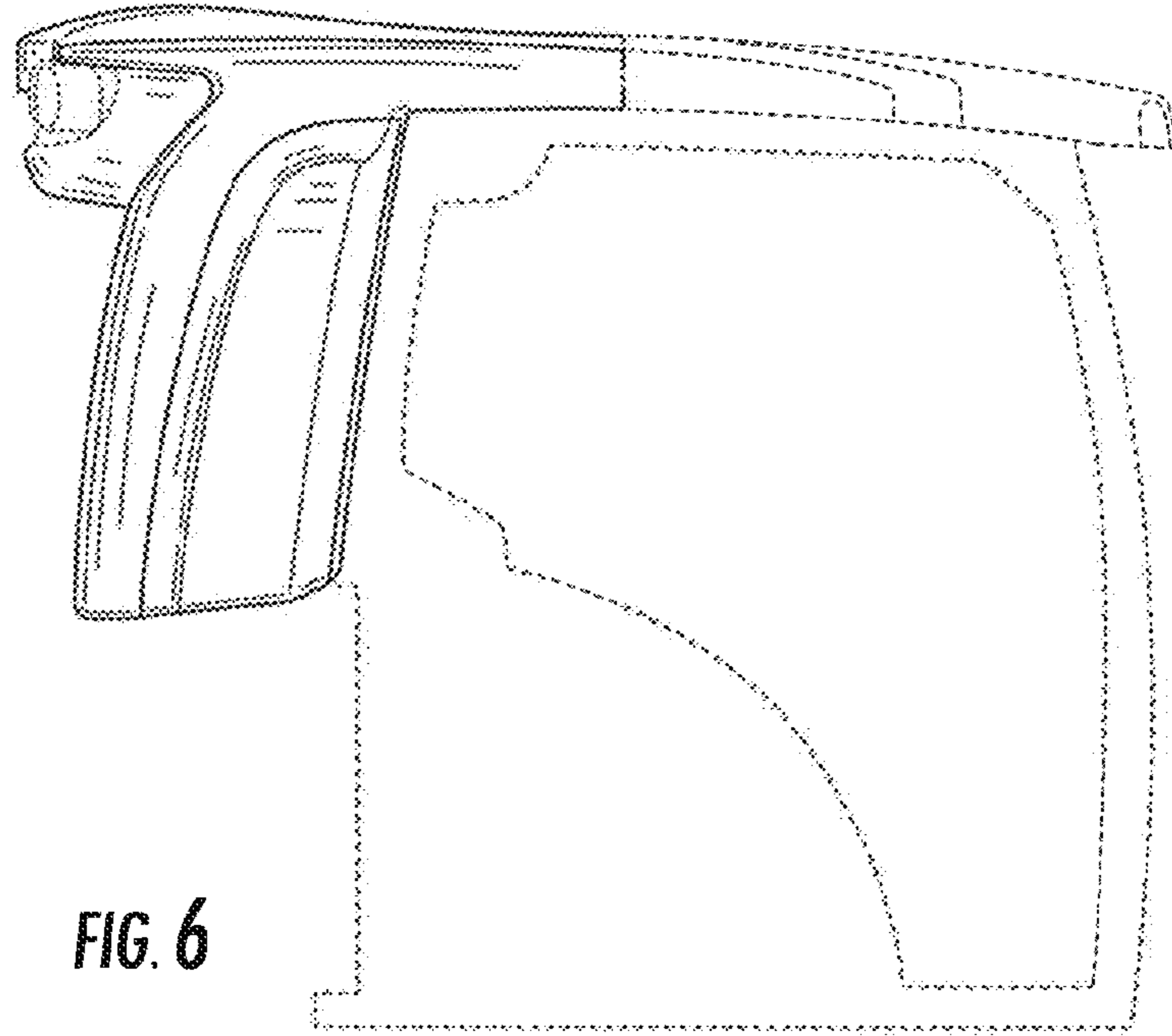


FIG. 5



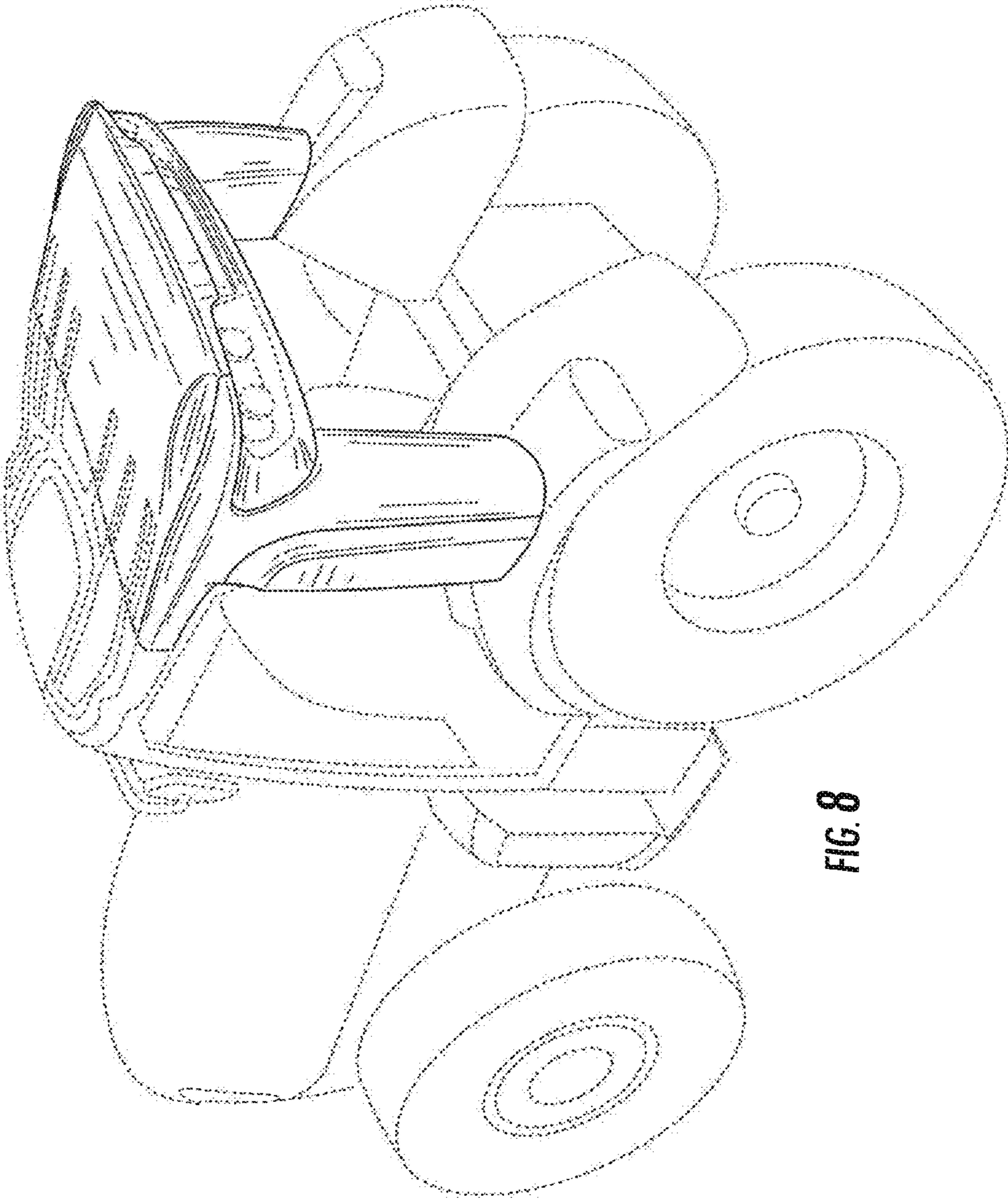


FIG. 8