



US00D736269S

(12) **United States Design Patent**
Paterson

(10) **Patent No.:** **US D736,269 S**
(45) **Date of Patent:** **** Aug. 11, 2015**

(54) **GROUND ENGAGING ELEMENT FOR AN AGRICULTURAL TILLAGE CHAIN**

(71) Applicant: **Kentyn Scott Paterson**, Bute (AU)

(72) Inventor: **Kentyn Scott Paterson**, Bute (AU)

(**) Term: **14 Years**

(21) Appl. No.: **29/444,032**

(22) Filed: **Jan. 25, 2013**

(30) **Foreign Application Priority Data**

Jul. 26, 2012 (AU) 344028

(51) **LOC (10) Cl.** **15-03**

(52) **U.S. Cl.**
USPC **D15/29**

(58) **Field of Classification Search**
USPC D15/28, 29; D8/349; 172/612, 579,
172/657, 669

See application file for complete search history.

(56) **References Cited**

U.S. PATENT DOCUMENTS

130,451 A	8/1872	Swift	
4,685,555 A	8/1987	Smith	
D299,239 S	1/1989	Henningsen	
D299,240 S	1/1989	Henningsen	
D342,526 S *	12/1993	Chandler	D15/28
D412,711 S *	8/1999	Bruns	D15/29
D465,988 S *	11/2002	Green	D8/349
6,959,769 B2 *	11/2005	Merten et al.	172/612
7,607,489 B2	10/2009	Kelly et al.	
D609,552 S *	2/2010	Anderson et al.	D8/349
D615,107 S	5/2010	Kelly et al.	
D615,108 S	5/2010	Kelly et al.	
D623,500 S *	9/2010	Langner et al.	D8/349
D624,938 S	10/2010	Kelly et al.	
D629,428 S	12/2010	Paterson	

(Continued)

FOREIGN PATENT DOCUMENTS

AU	344028	8/2012
AU	344376	9/2012

(Continued)

OTHER PUBLICATIONS

Co-pending U.S. Appl. No. 29/444,027, filed Jan. 25, 2013.

(Continued)

Primary Examiner — Robin V Webster

(74) *Attorney, Agent, or Firm* — Michael Best & Friedrich LLP

(57) **CLAIM**

The ornamental design for a ground engaging element for an agricultural tillage chain, as shown and described.

DESCRIPTION

FIG. 1 is a top perspective view of the ground engaging element.

FIG. 2 is a side view of the ground engaging element shown in FIG. 1.

FIG. 3 is cut away side view of the ground engaging element shown in FIG. 1.

FIG. 4 is top view of the ground engaging element of FIG. 1.

FIG. 5 is a bottom view of the ground engaging element of FIG. 1.

FIG. 6 is a top perspective view of the ground engaging element, according to a second embodiment of the design.

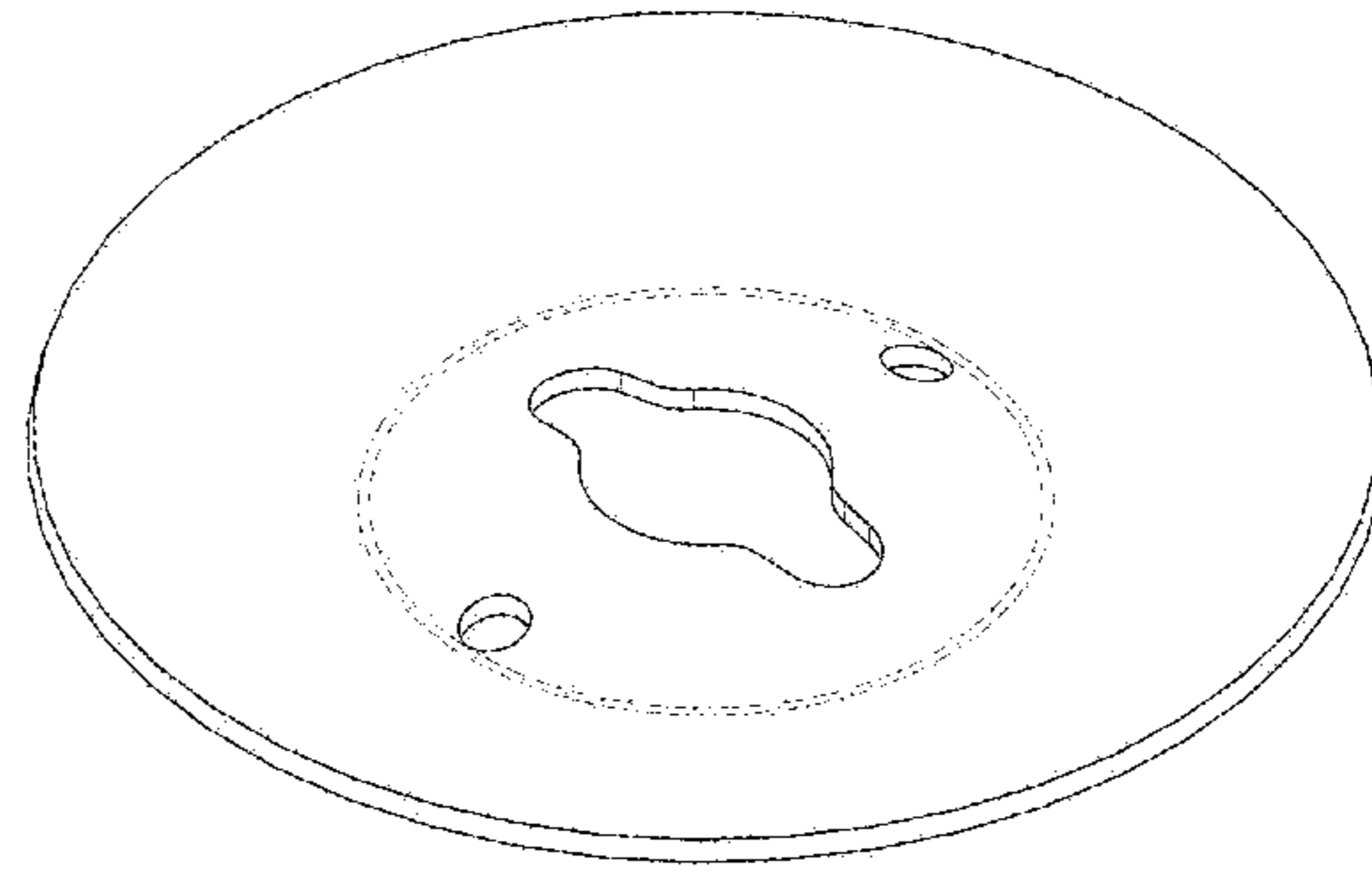
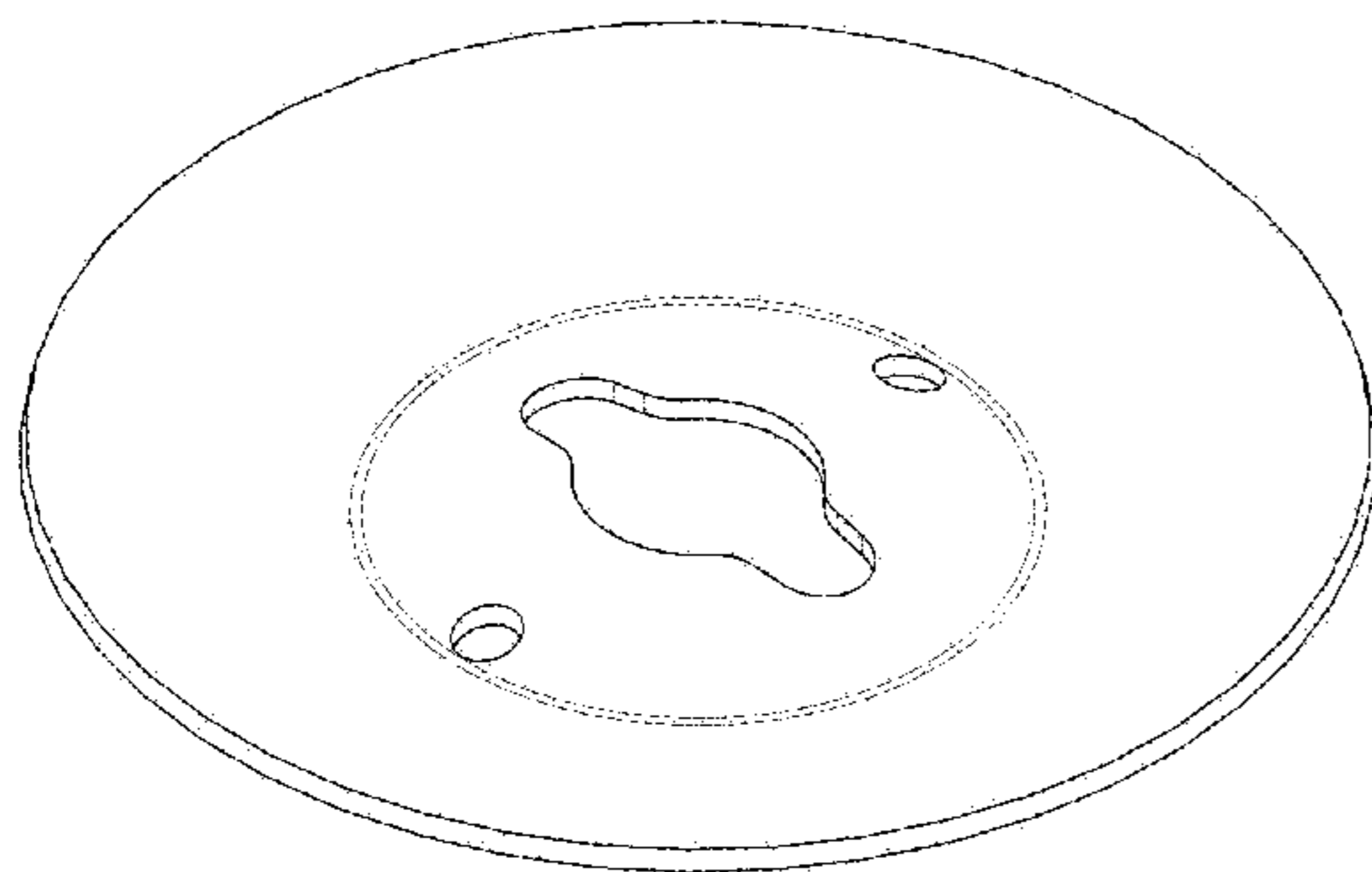
FIG. 7 is a side view of the ground engaging element shown in FIG. 6.

FIG. 8 is top view of the ground engaging element of FIG. 6; and,

FIG. 9 is a bottom view of the ground engaging element of FIG. 6.

The elements shown in broken lines, including the central plate section of the ground engaging element is included for the purpose of illustrating environment and forms no part of the claimed design.

1 Claim, 6 Drawing Sheets



(56)

References Cited

OTHER PUBLICATIONS

U.S. PATENT DOCUMENTS

7,963,345 B1 6/2011 Hicks et al.
D694,286 S * 11/2013 Bruce D15/29
D707,264 S * 6/2014 Renski et al. D15/29
2010/0018731 A1 1/2010 Kelly et al.
2012/0247795 A1 10/2012 Hicks et al.

FOREIGN PATENT DOCUMENTS

AU 344377 9/2012
AU 344815 10/2012

Co-pending U.S. Appl. No. 29/444,029, filed Jan. 25, 2013.
Co-pending U.S. Appl. No. 29/444,031, filed Jan. 25, 2013.
United States Patent Office Notice of Allowance for U.S. Appl. No. 29/444,027 dated Jul. 8, 2013 (9 pages).
United States Patent Office Notice of Allowance for U.S. Appl. No. 29/444,029 dated Jun. 27, 2013 (10 pages).
United States Patent Office Notice of Allowance for U.S. Appl. No. 29/444,031 dated Jul. 12, 2013 (9 pages).

* cited by examiner

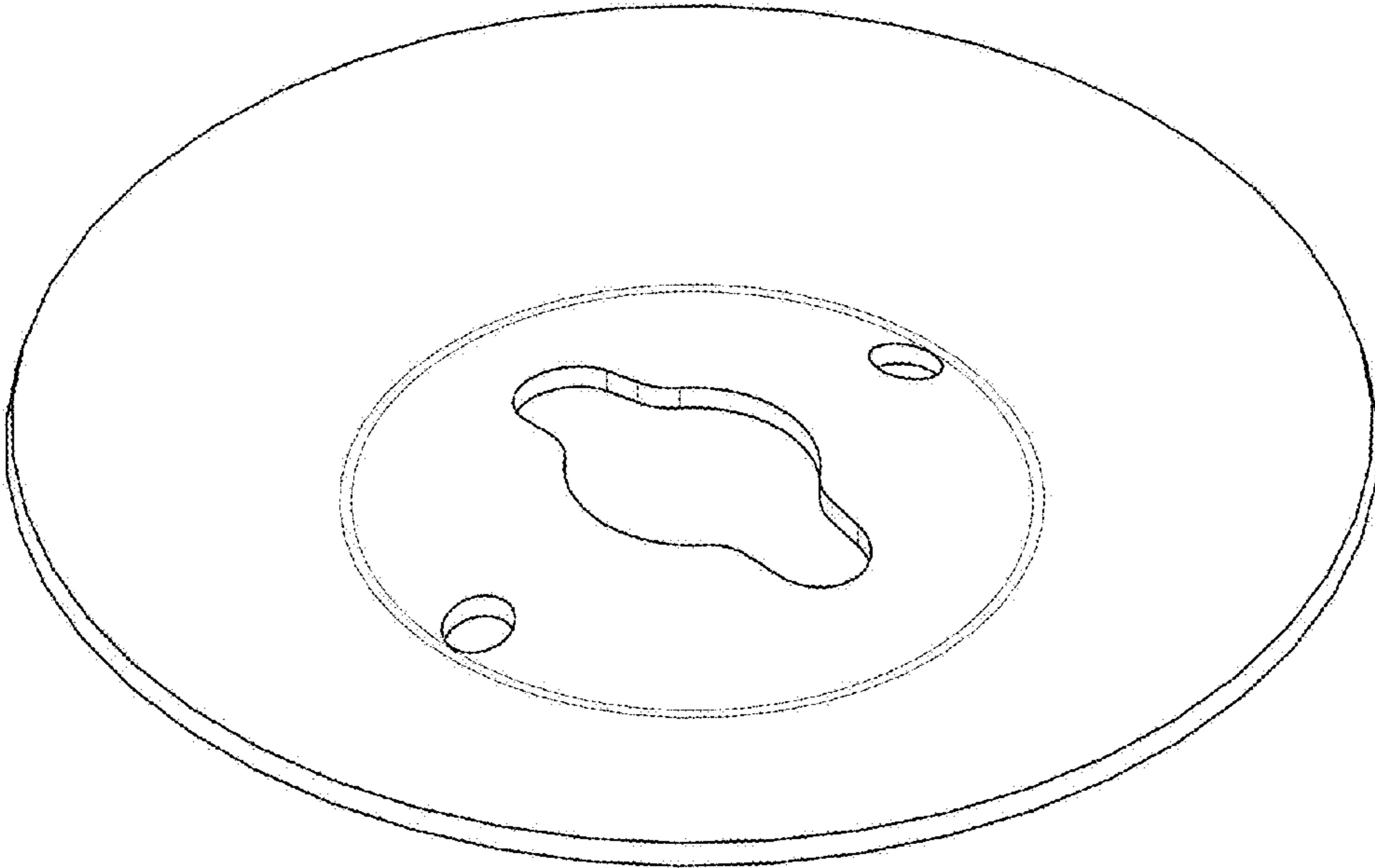


FIG. 1



FIG. 2

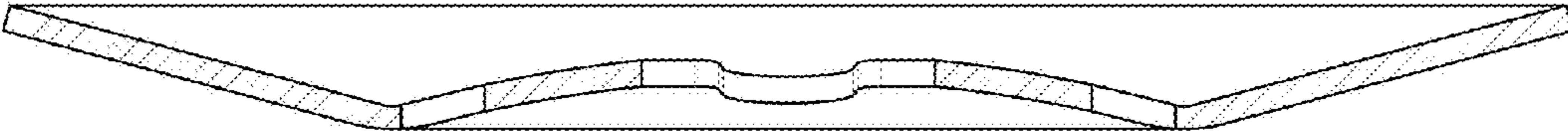


FIG. 3

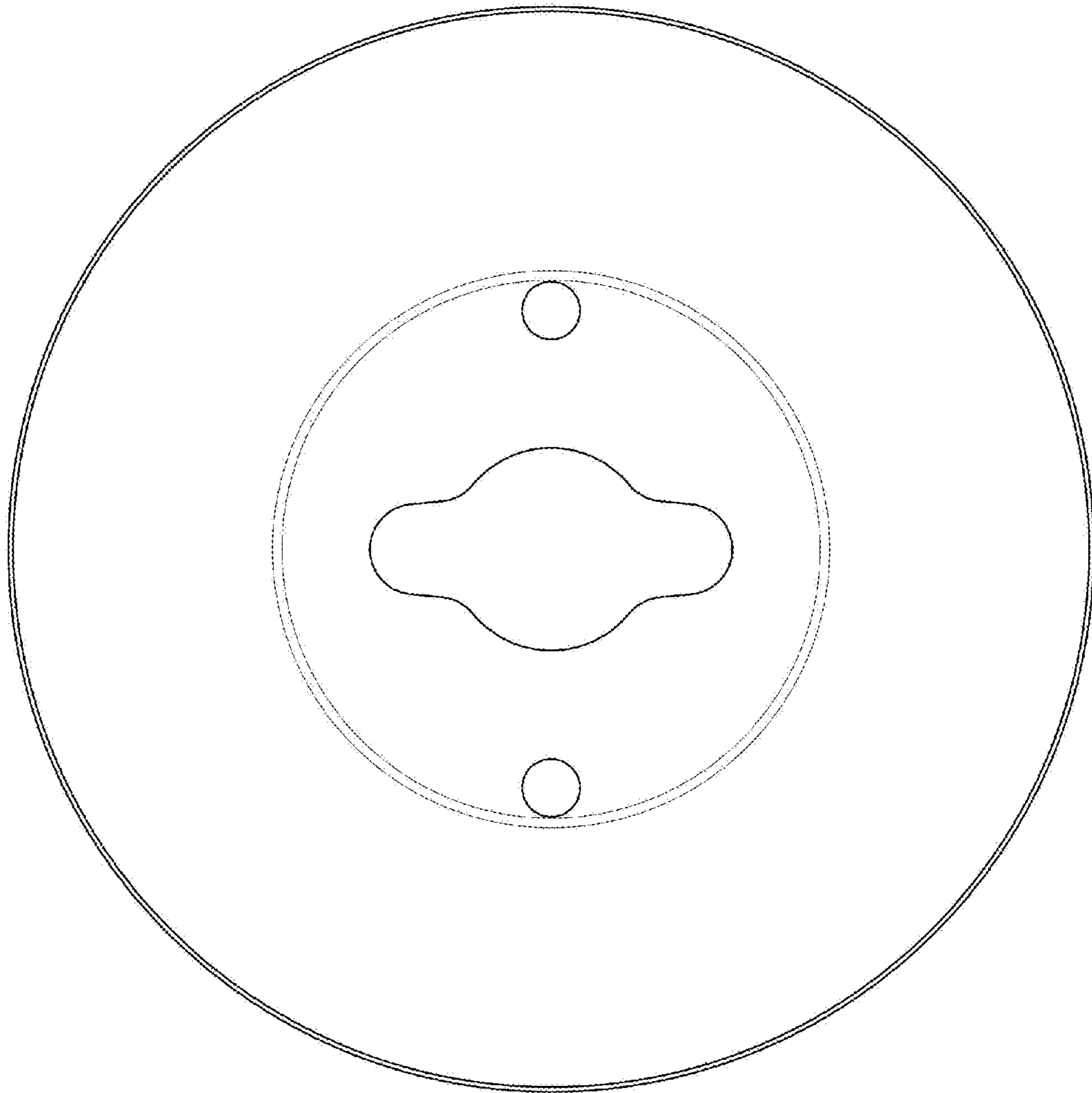


FIG. 4

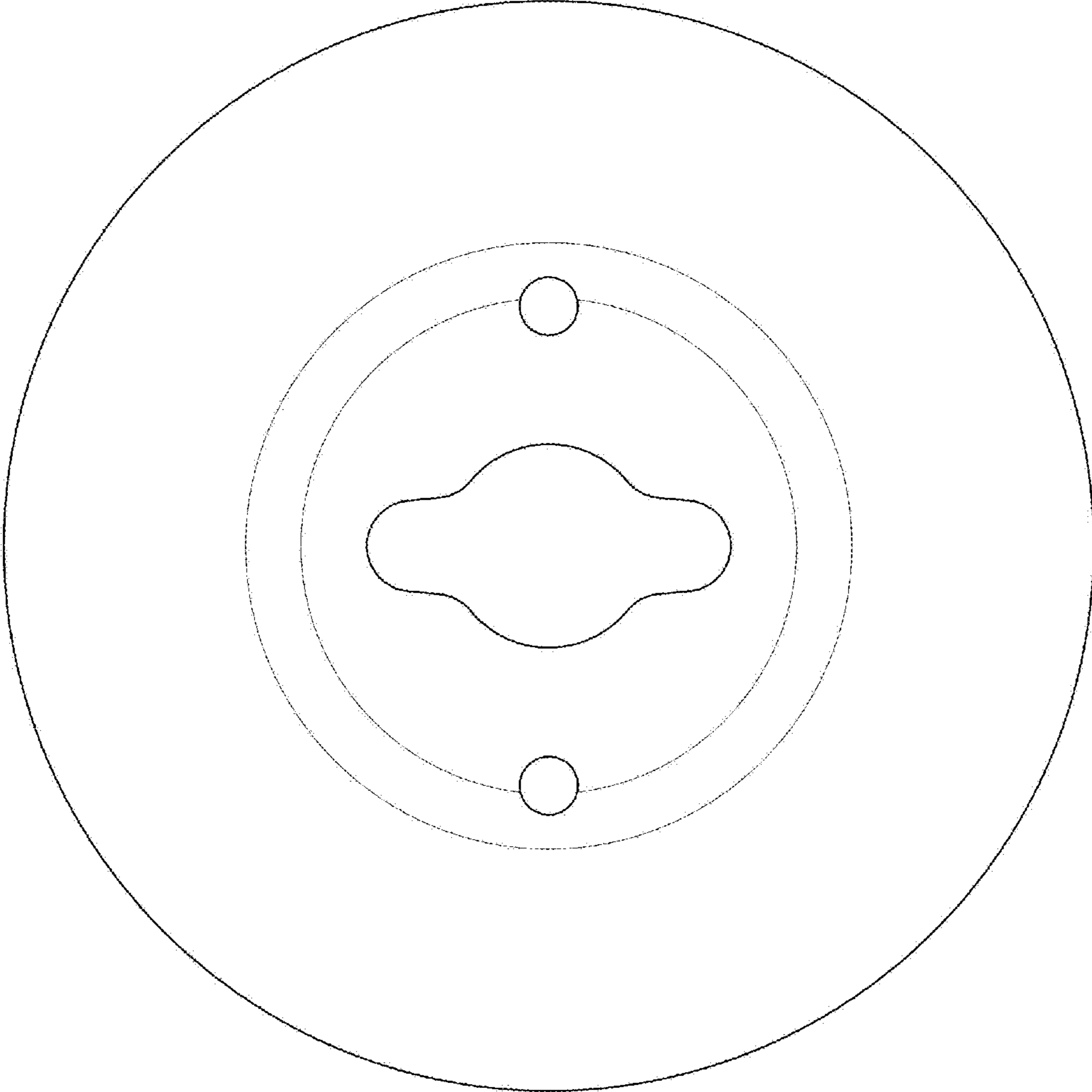


FIG. 5

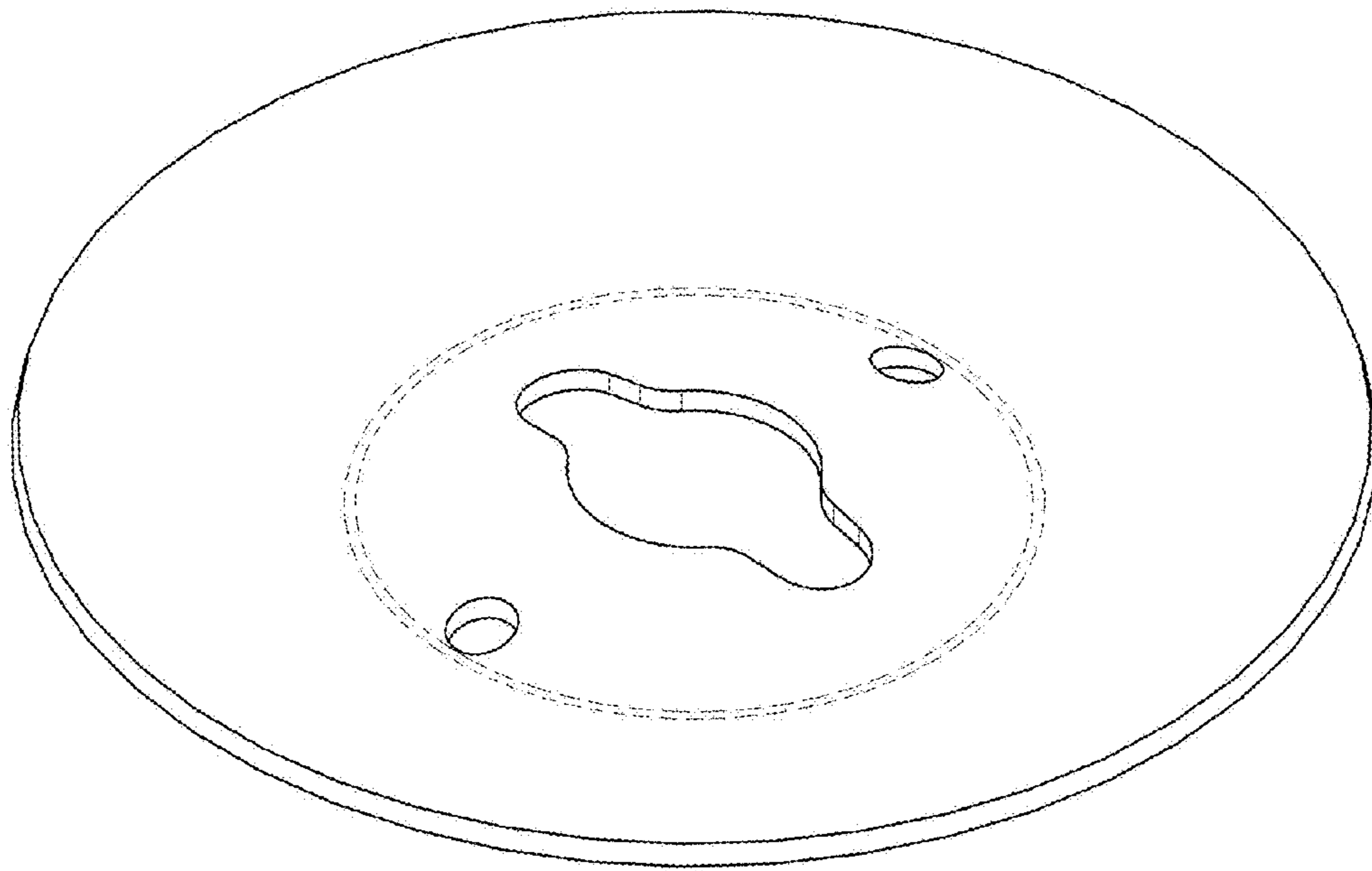


FIG. 6

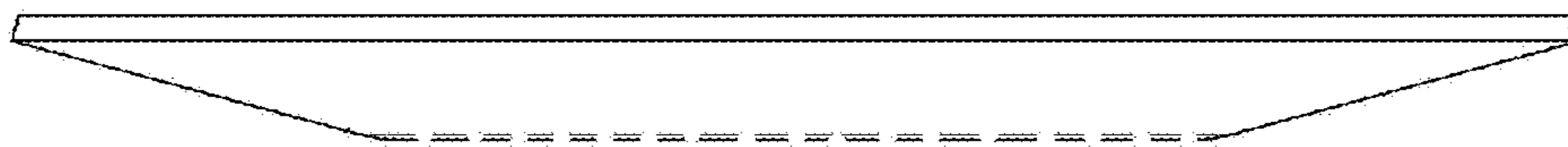


FIG. 7

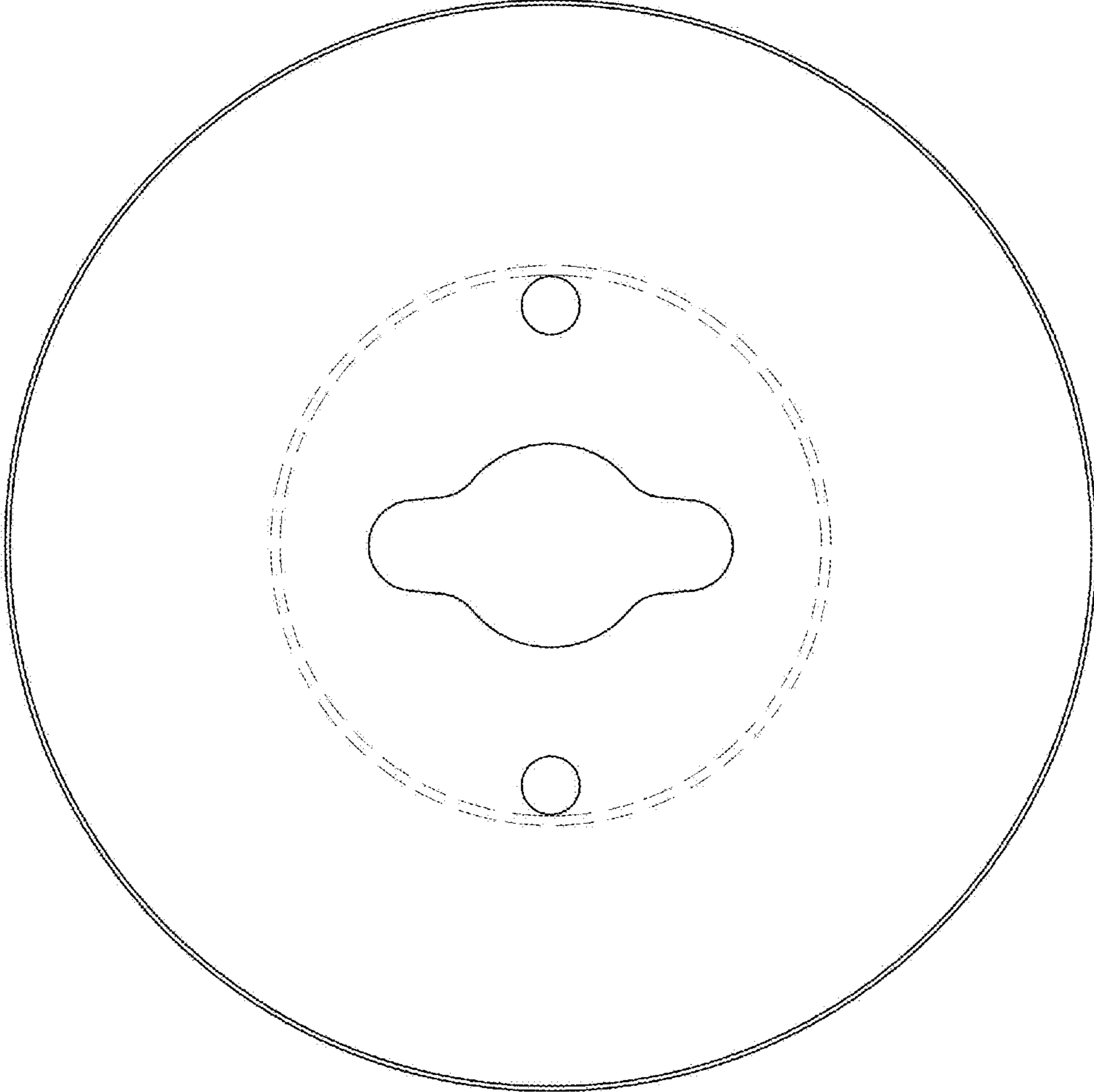


FIG. 8

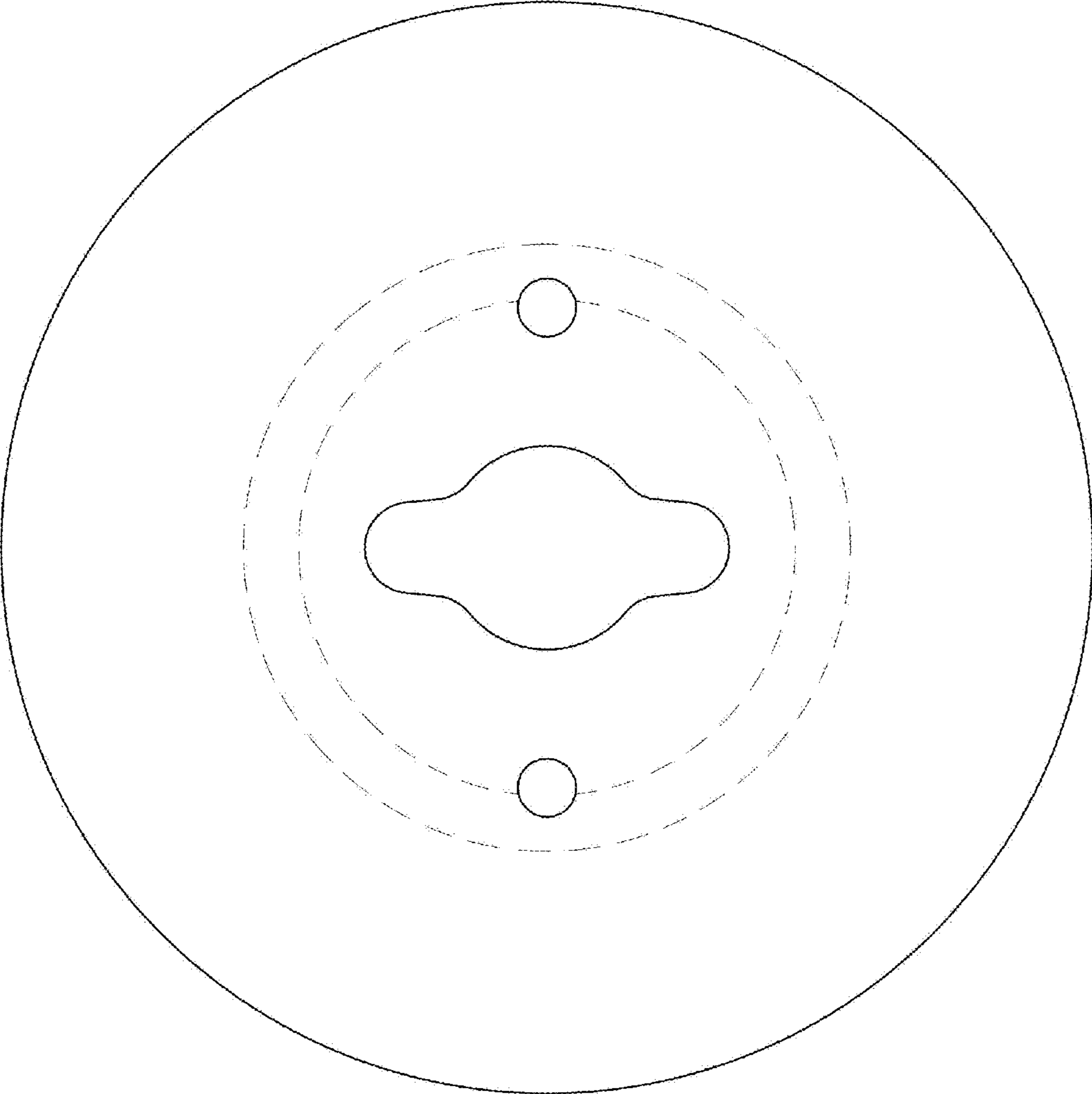


FIG. 9