



US00D736265S

(12) **United States Design Patent**
Walter et al.

(10) **Patent No.:** **US D736,265 S**
(45) **Date of Patent:** **** Aug. 11, 2015**

(54) **SNAP-FIT END CAP AND HOUSING ASSEMBLY**

(71) Applicant: **Eaton Corporation**, Cleveland, OH (US)

(72) Inventors: **Stefan Walter**, Karlsruhe (DE); **Vaughn Mills**, Chelsea, MI (US); **Daniel Lee Pifer**, Chelsea, MI (US)

(73) Assignee: **Eaton Corporation**, Cleveland, OH (US)

(**) Term: **14 Years**

(21) Appl. No.: **29/511,407**

(22) Filed: **Dec. 10, 2014**

Related U.S. Application Data

(63) Continuation of application No. 29/456,366, filed on May 30, 2013, now Pat. No. Des. 721,390.

(51) **LOC (10) Cl.** **15-02**

(52) **U.S. Cl.**
USPC **D15/7**

(58) **Field of Classification Search**

USPC D15/7-9; D23/231, 232, 225; 417/60, 417/235, 265, 321, 355, 358, 363, 359, 417/410.1, 415-416, 405, 900; 60/408, 60/412; 184/26-37; 415/140-147; 123/495, 509; 137/565.34
CPC F02M 37/04; F02M 37/14
See application file for complete search history.

(56) **References Cited**

U.S. PATENT DOCUMENTS

D490,442 S * 5/2004 Kuboshima et al. D15/7
7,341,046 B2 * 3/2008 Leymarie et al. 123/509

D592,681 S * 5/2009 Hamagishi et al. D15/7
D604,331 S * 11/2009 Tokunaga et al. D15/7
D604,332 S * 11/2009 Tokunaga et al. D15/7
7,690,359 B2 * 4/2010 Price et al. 123/509
D620,499 S * 7/2010 Sulzer et al. D15/7
D700,215 S * 2/2014 Ueda D15/9
D700,216 S * 2/2014 Ueda D15/9
D701,537 S * 3/2014 Ueda et al. D15/9

* cited by examiner

Primary Examiner — Ralf Seifert

(74) *Attorney, Agent, or Firm* — Quinn Law Group, PLLC.

(57) **CLAIM**

The ornamental design for a snap-fit end cap and housing assembly, as shown and described.

DESCRIPTION

FIG. 1 is a perspective view of a snap-fit end cap and housing assembly in accordance with another aspect of the present teachings.

FIG. 2 is another perspective view of the snap-fit end cap and housing assembly of FIG. 1, with the snap-fit end cap and housing assembly inverted relative to FIG. 1.

FIG. 3 is a front view of the snap-fit end cap and housing assembly of FIG. 1.

FIG. 4 is a back view of the snap-fit end cap and housing assembly of FIG. 1.

FIG. 5 is a side view of the snap-fit end cap and housing assembly of FIG. 1.

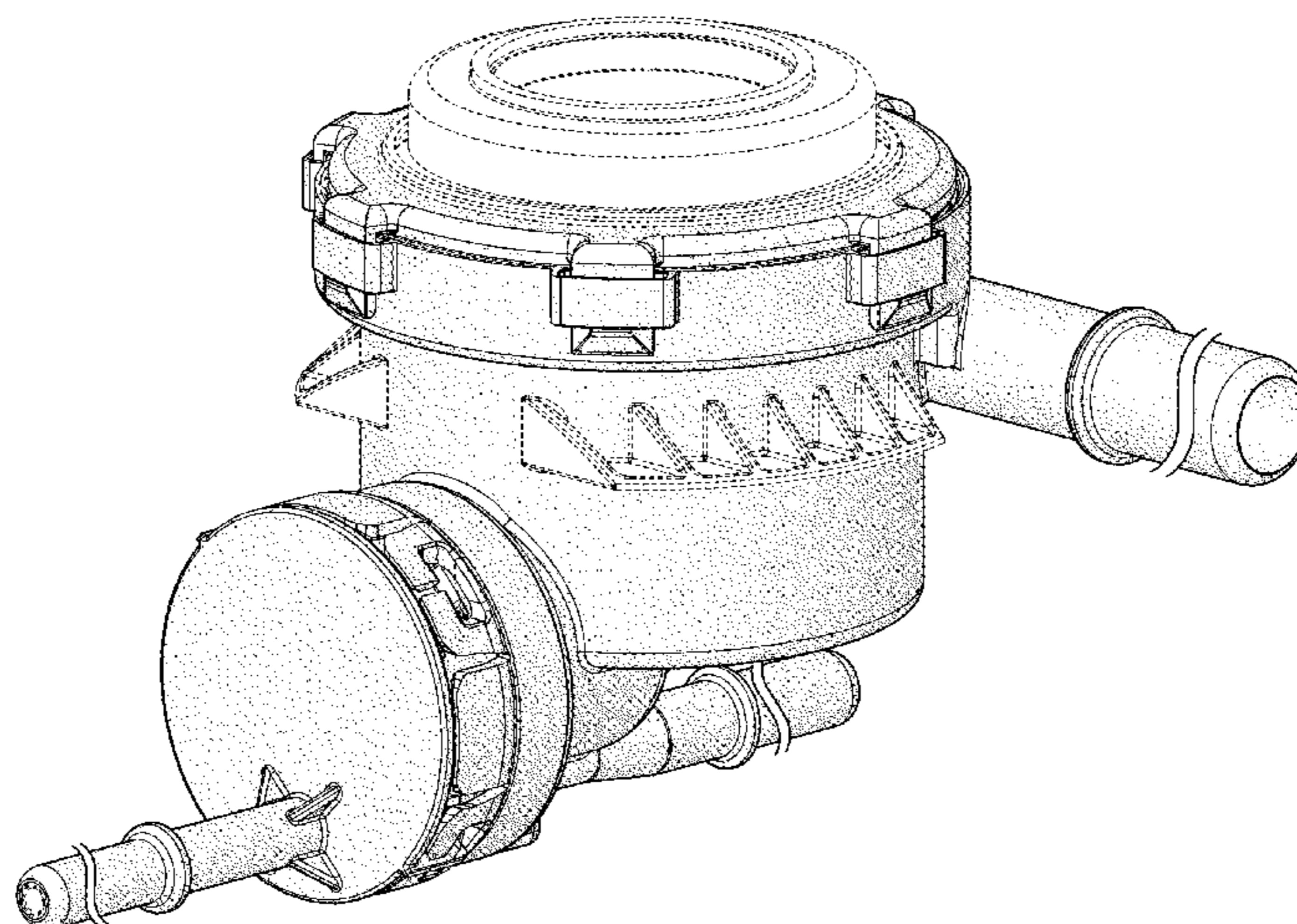
FIG. 6 is an opposite side view of the snap-fit end cap and housing assembly of FIG. 1.

FIG. 7 is top view of the snap-fit end cap and housing assembly of FIG. 1; and,

FIG. 8 is a bottom view of the snap-fit end cap and housing assembly of FIG. 1.

The broken line showing portions of the snap-fit end cap and housing assembly form no part of the claimed design.

1 Claim, 8 Drawing Sheets



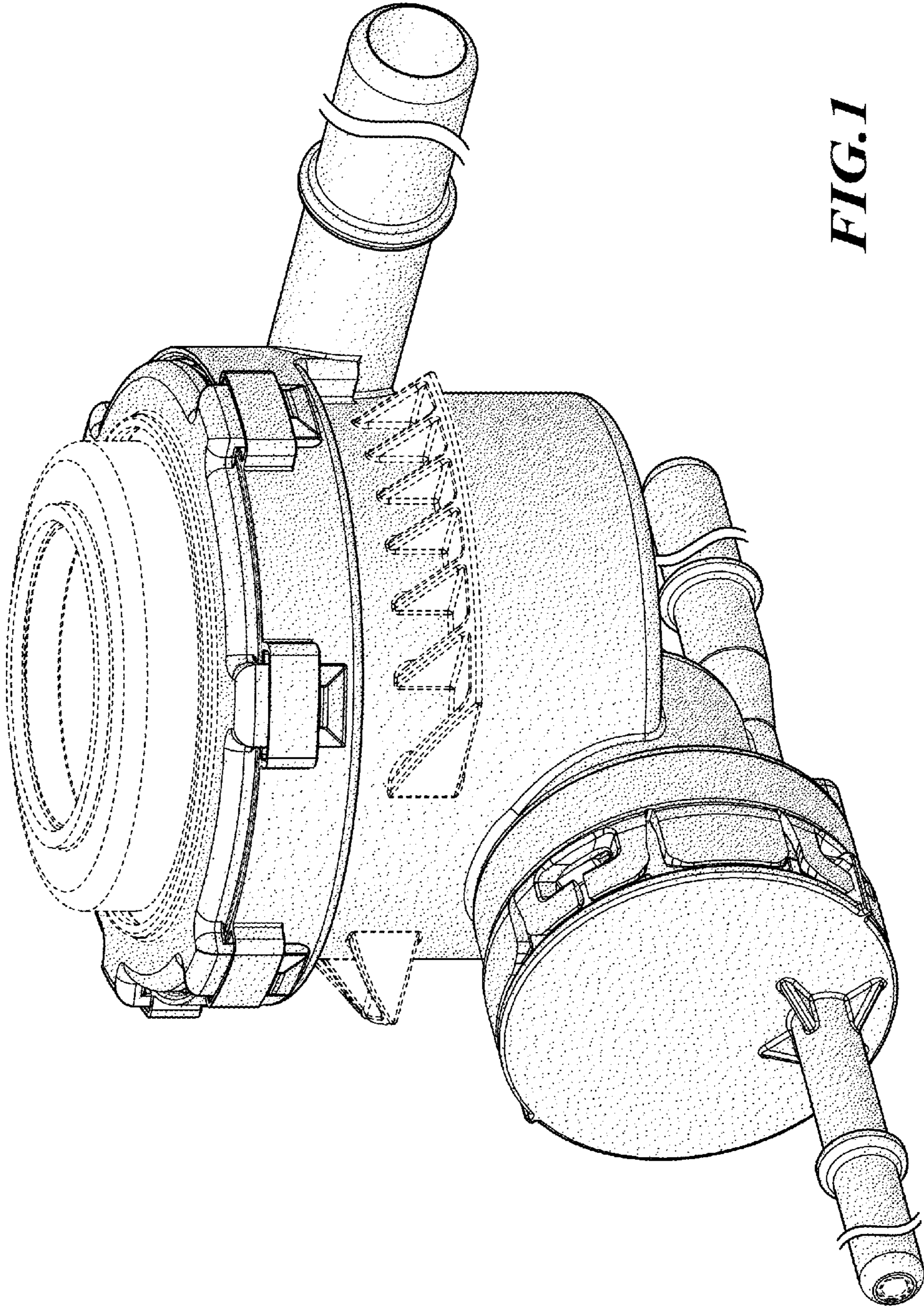


FIG. 1

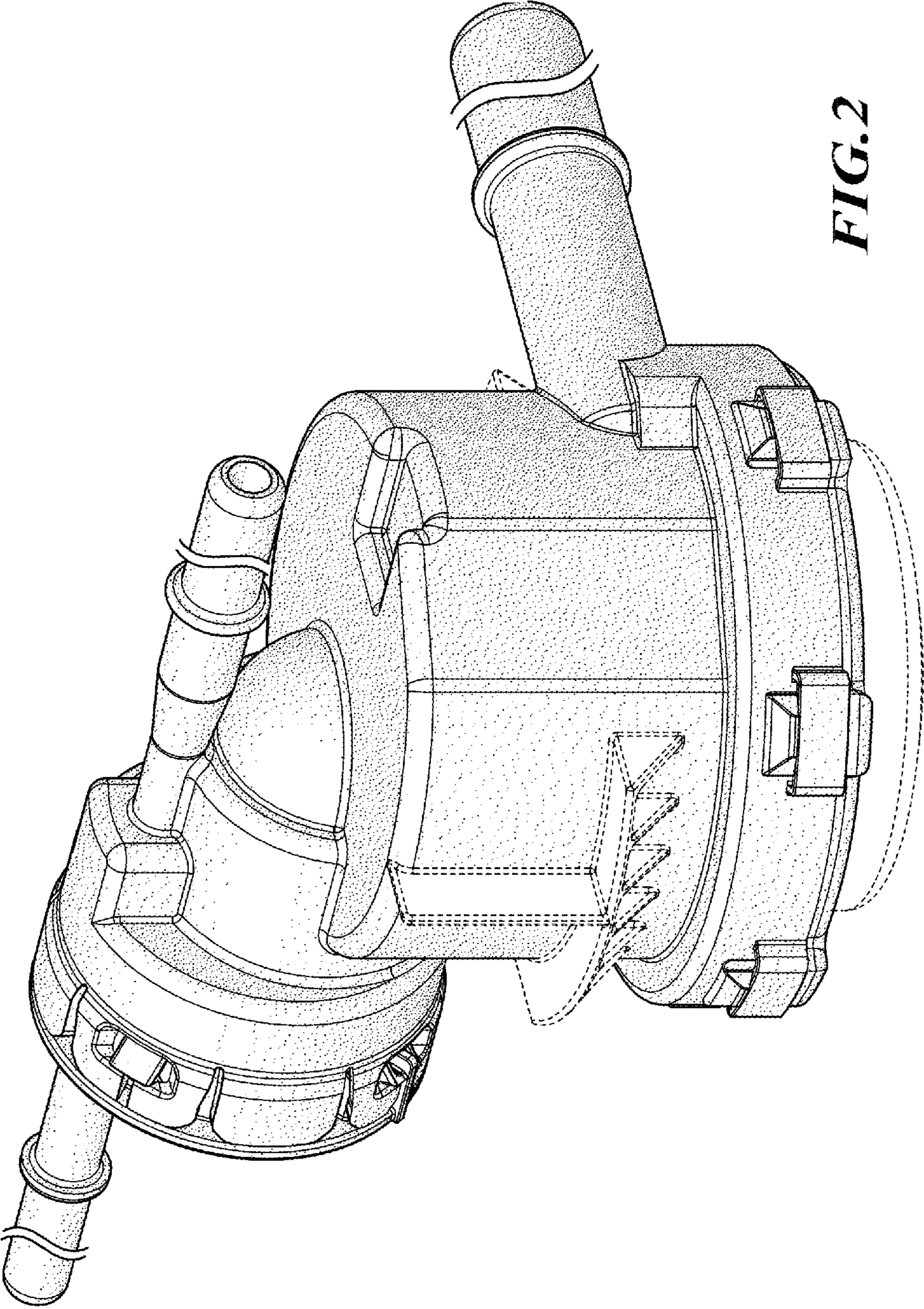


FIG. 2

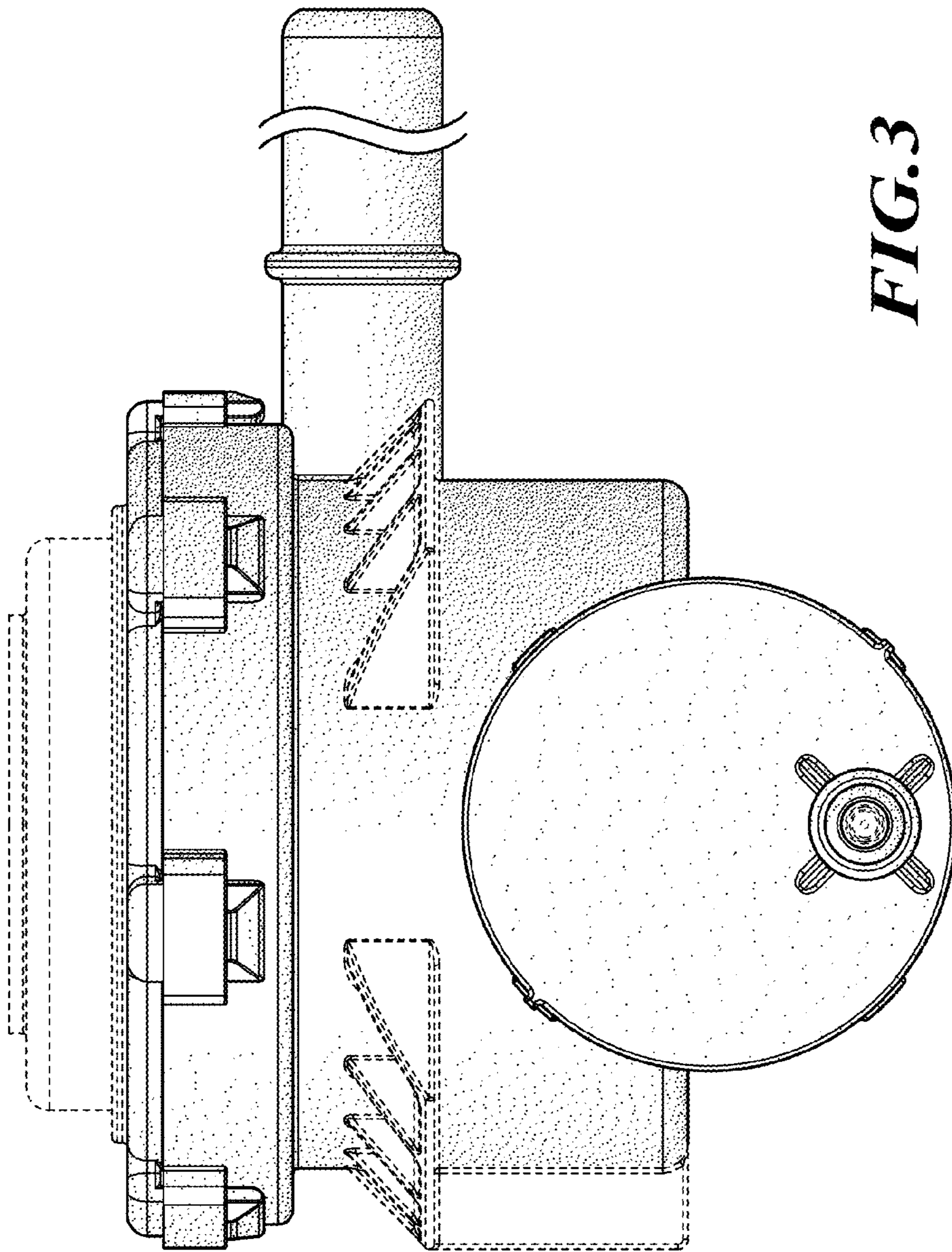


FIG. 3

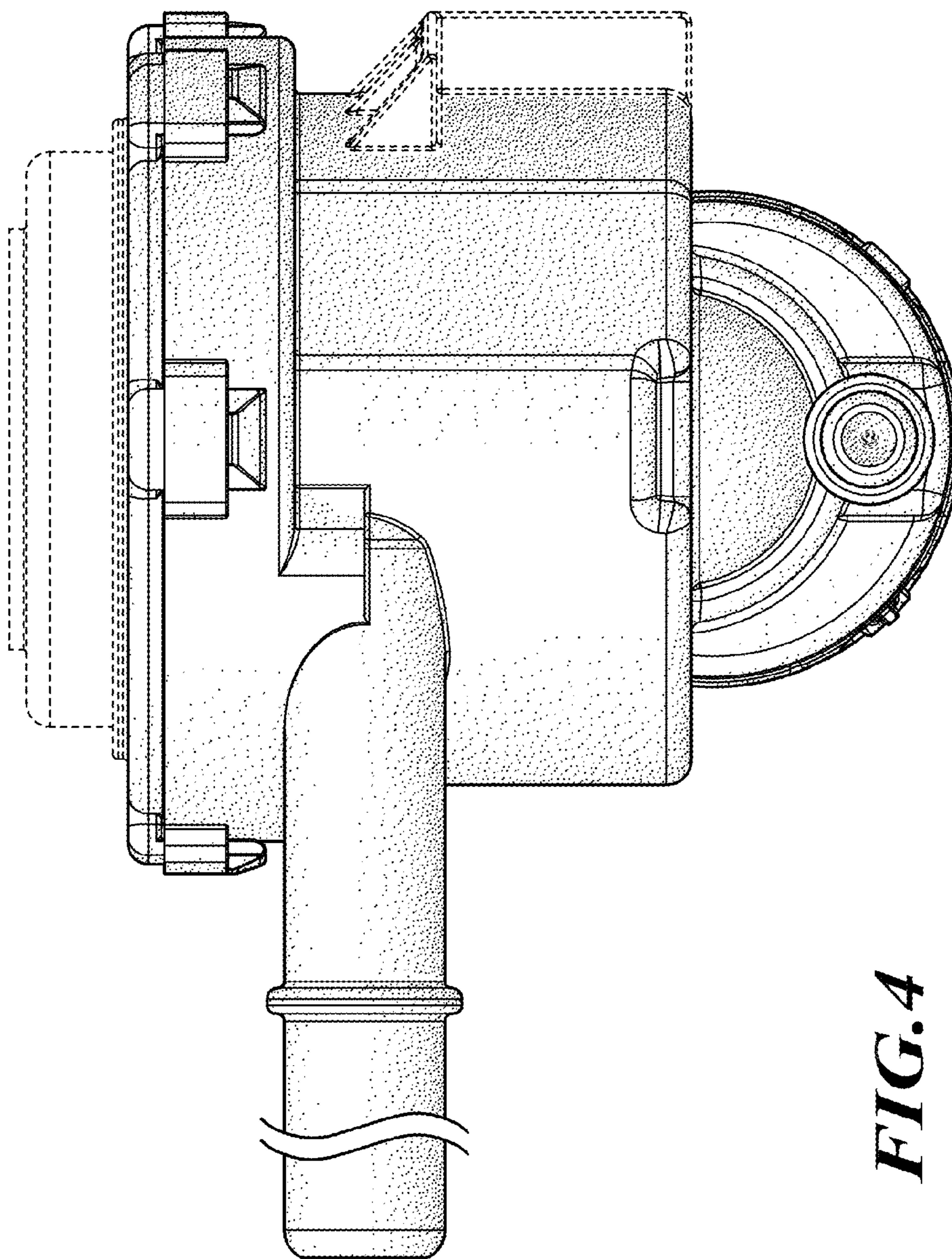


FIG. 4

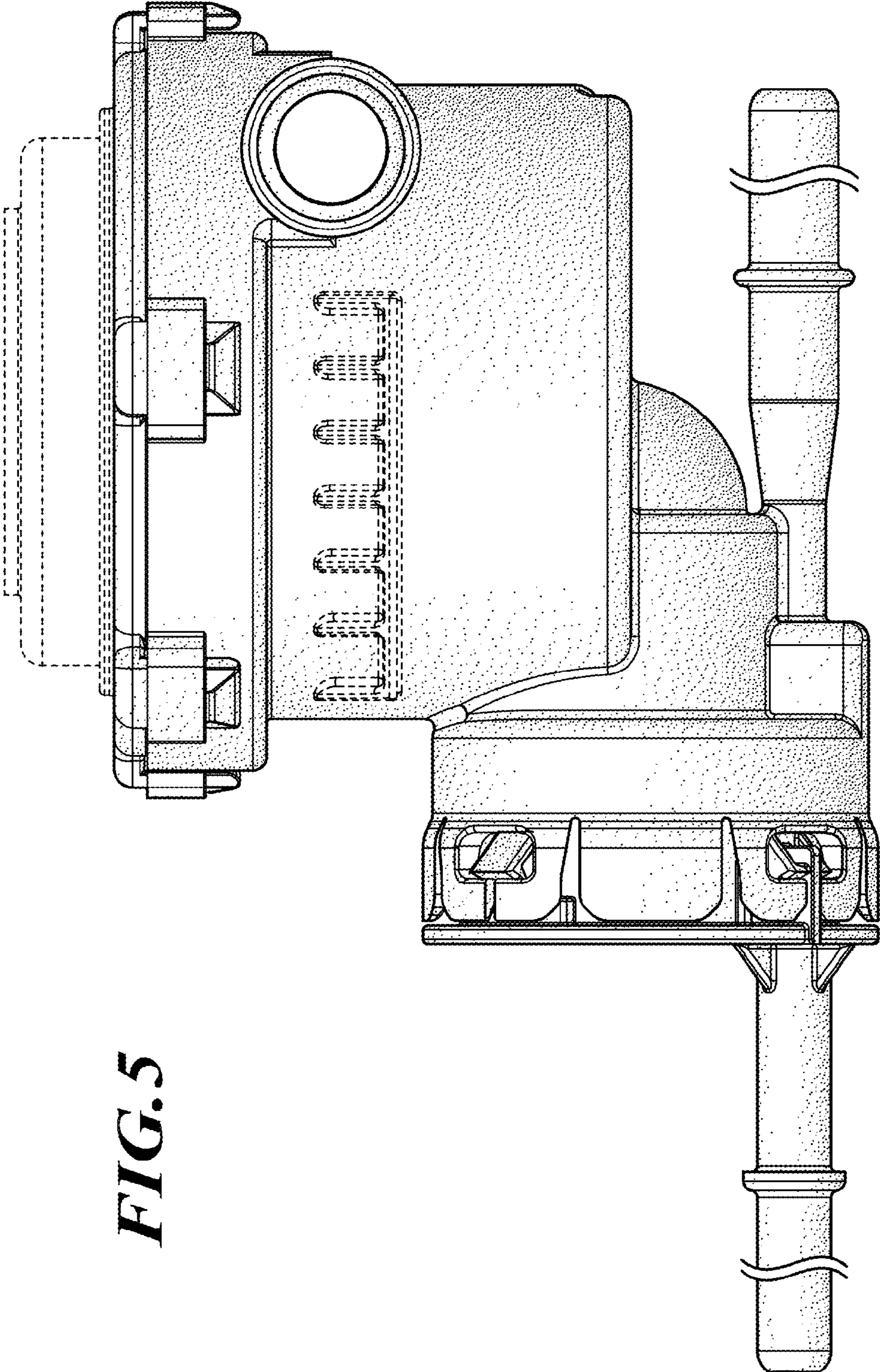
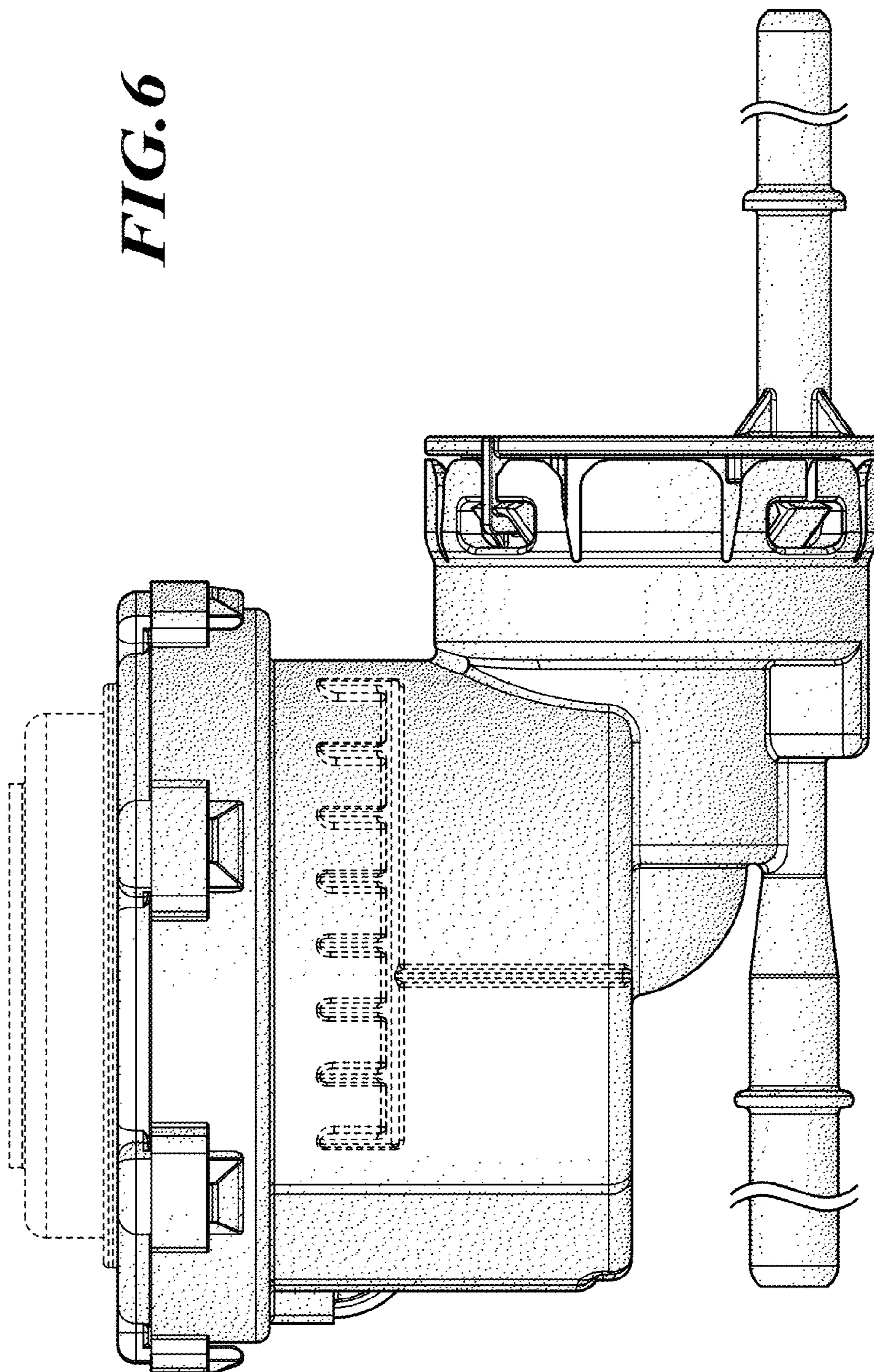


FIG. 5

FIG. 6



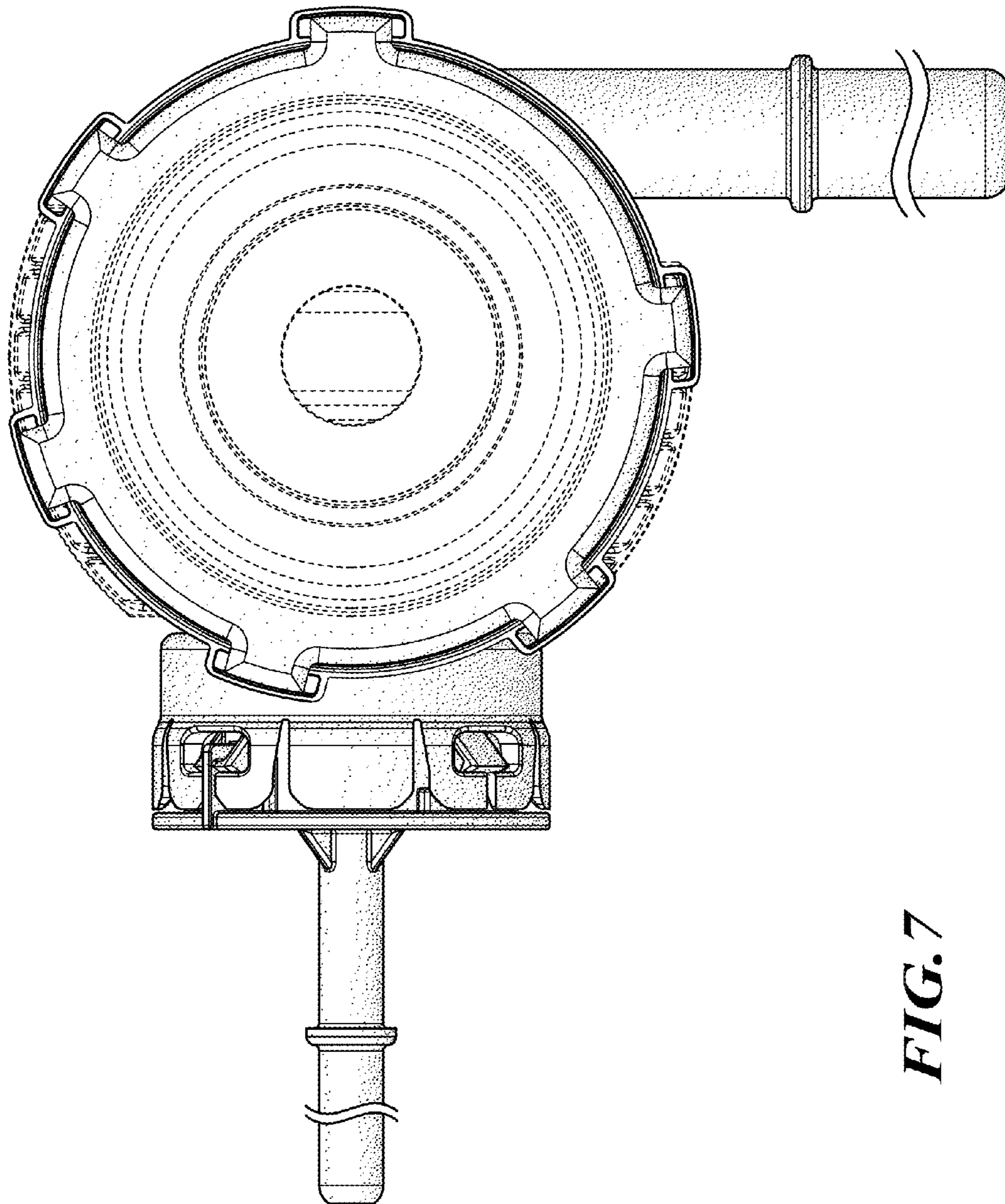


FIG. 7

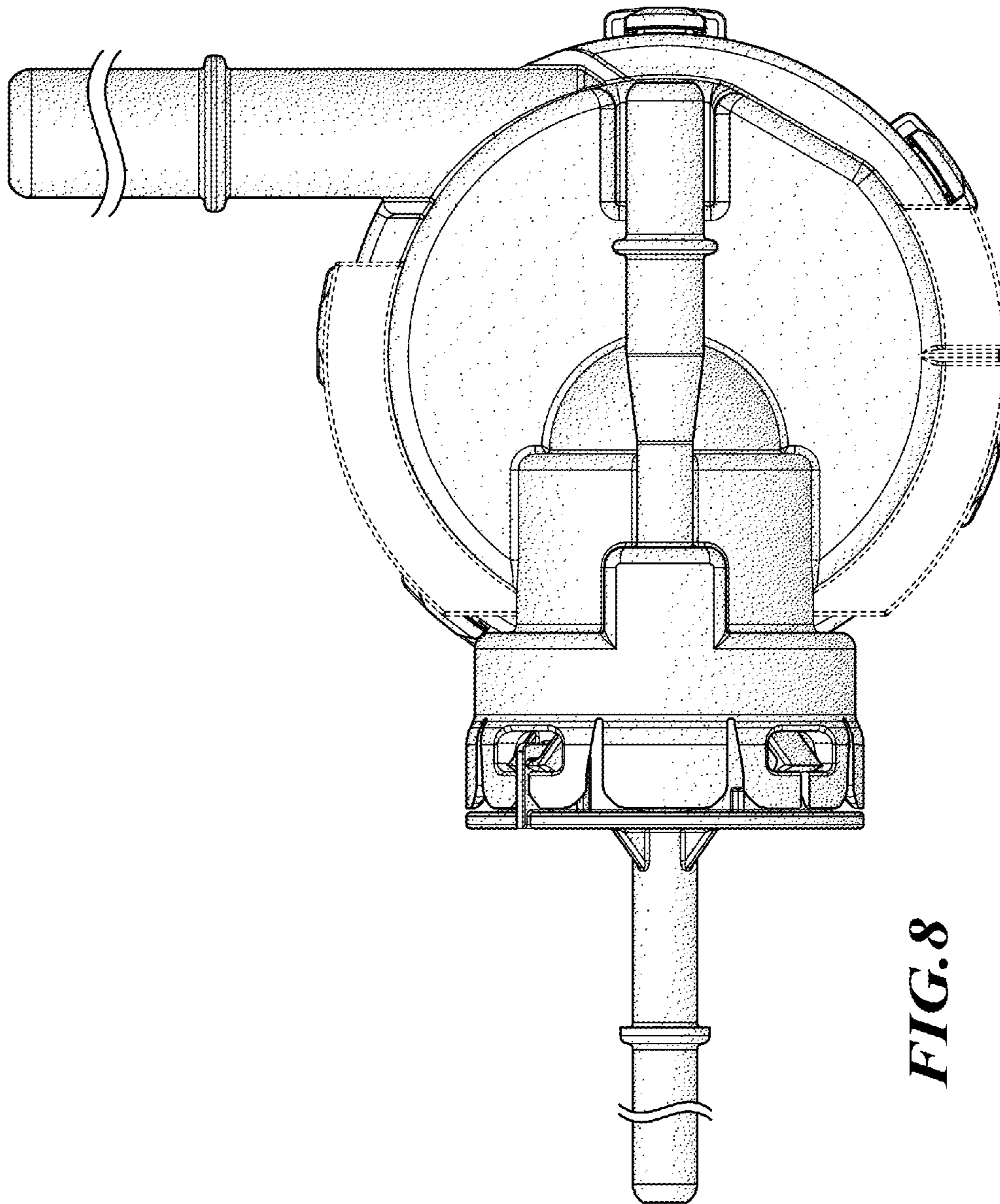


FIG. 8