

US00D736262S

(12) **United States Design Patent**
Fox

(10) **Patent No.:** **US D736,262 S**
(45) **Date of Patent:** **** Aug. 11, 2015**

- (54) **FRONT WHEEL DRIVE BOLT ON ELECTRONIC LIMITED SLIP DIFFERENTIAL**
- (71) Applicant: **Eaton Corporation**, Cleveland, OH (US)
- (72) Inventor: **Matthew G. Fox**, Ceresco, MI (US)
- (73) Assignee: **Eaton Corporation**, Cleveland, OH (US)
- (**) Term: **14 Years**
- (21) Appl. No.: **29/472,669**
- (22) Filed: **Nov. 14, 2013**
- (51) **LOC (10) Cl.** **15-01**
- (52) **U.S. Cl.**
USPC **D15/5**
- (58) **Field of Classification Search**
USPC D15/1-6; 475/231, 89, 88, 86, 84, 252, 475/235, 249, 234
CPC F16H 48/22; F16H 48/08; F16H 48/30; F16H 2048/204; F16H 48/34; F16H 2048/346; F16H 48/295; F16H 48/32; F16H 48/40; F16H 48/10; F16H 2200/2071; F16H 48/26; F16H 2048/085; F16H 2048/201; F16H 48/11; F16H 2048/385; F16H 2048/382; F16H 57/0483; F16H 2048/106; F16H 48/24
See application file for complete search history.

- (56) **References Cited**
U.S. PATENT DOCUMENTS
D285,570 S * 9/1986 McInerney D15/5
5,839,327 A 11/1998 Gage
6,692,396 B1 2/2004 Grogg et al.

6,733,411 B1	5/2004	Kaplan et al.	
D549,731 S *	8/2007	Demirdogen et al.	D15/5
7,318,511 B2	1/2008	Grogg	
7,341,136 B2	3/2008	Park	
8,231,494 B2 *	7/2012	Showalter	475/249
D713,935 S *	9/2014	Fox et al.	D23/235
2006/0154776 A1 *	7/2006	Claussen et al.	475/231
2006/0270512 A1 *	11/2006	Pinkos	475/231
2008/0004151 A1 *	1/2008	Nakajima	475/233
2009/0215575 A1 *	8/2009	Schrand et al.	475/231
2009/0247350 A1 *	10/2009	Donofrio et al.	475/231
2010/0144478 A1 *	6/2010	Fan	475/150
2011/0009223 A1 *	1/2011	Donofrio et al.	475/150
2013/0029798 A1 *	1/2013	Martin, III	475/231
2014/0141921 A1 *	5/2014	Fox et al.	475/231

* cited by examiner

Primary Examiner — T. Chase Nelson
Assistant Examiner — Ania Aman

(74) *Attorney, Agent, or Firm* — Remarck Law Group PLC

(57) **CLAIM**

The ornamental design for a front wheel drive bolt on electronic limited slip differential, as shown and described.

DESCRIPTION

FIG. 1 is a perspective view of a front wheel drive bolt on electronic limited slip differential showing my new design.
 FIG. 2 is a top plan view thereof.
 FIG. 3 is a first end view thereof.
 FIG. 4 is a first side view thereof.
 FIG. 5 is a bottom plan view thereof.
 FIG. 6 is a second end view thereof; and,
 FIG. 7 is a rear elevation view thereof.
 Any portion of the front wheel drive bolt on electronic limited slip differential shown in broken lines is for the purpose of illustrating environmental structure and forms no part of the claimed design.

1 Claim, 7 Drawing Sheets

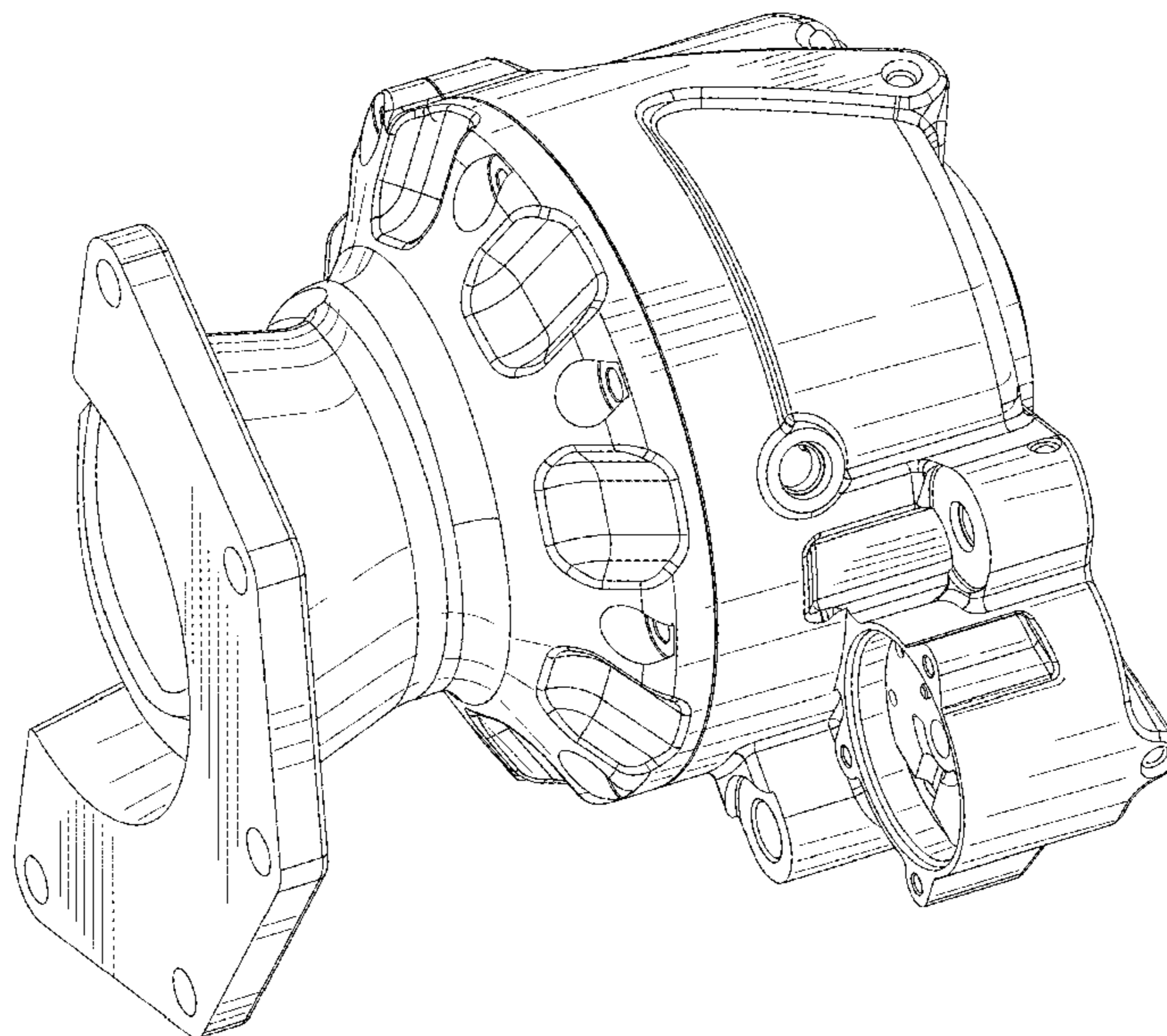
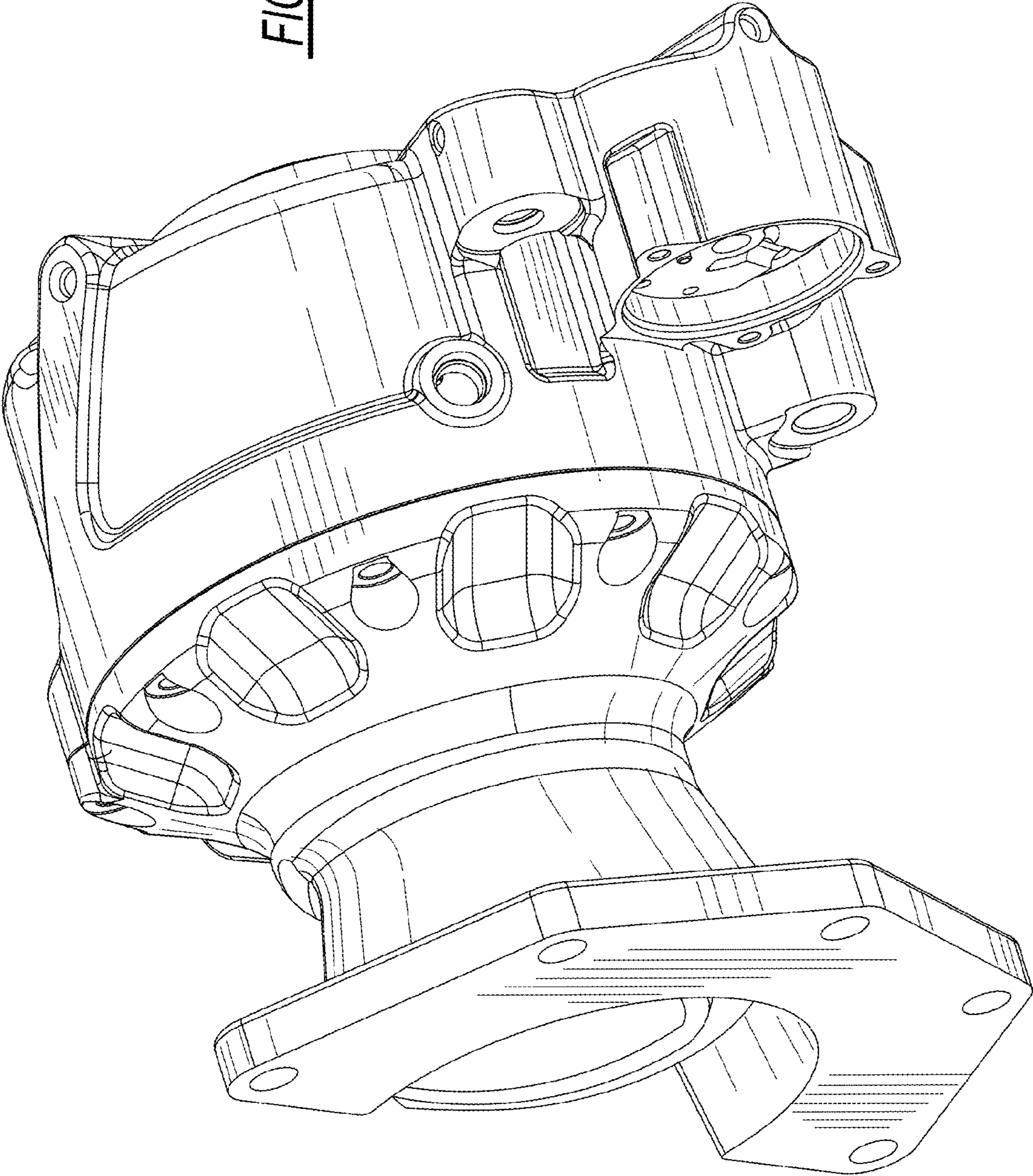


FIG - 1



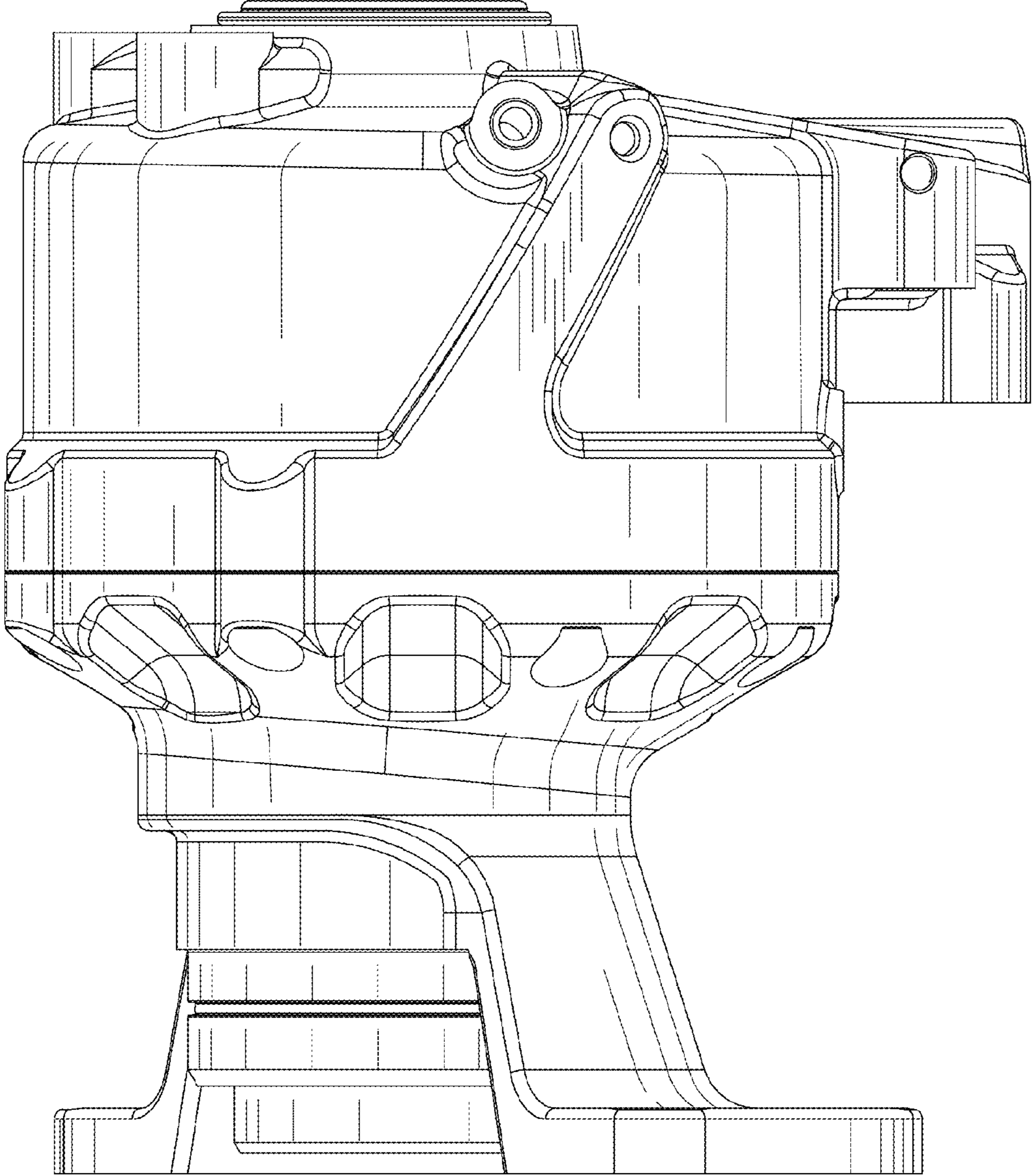


FIG - 2

FIG - 3

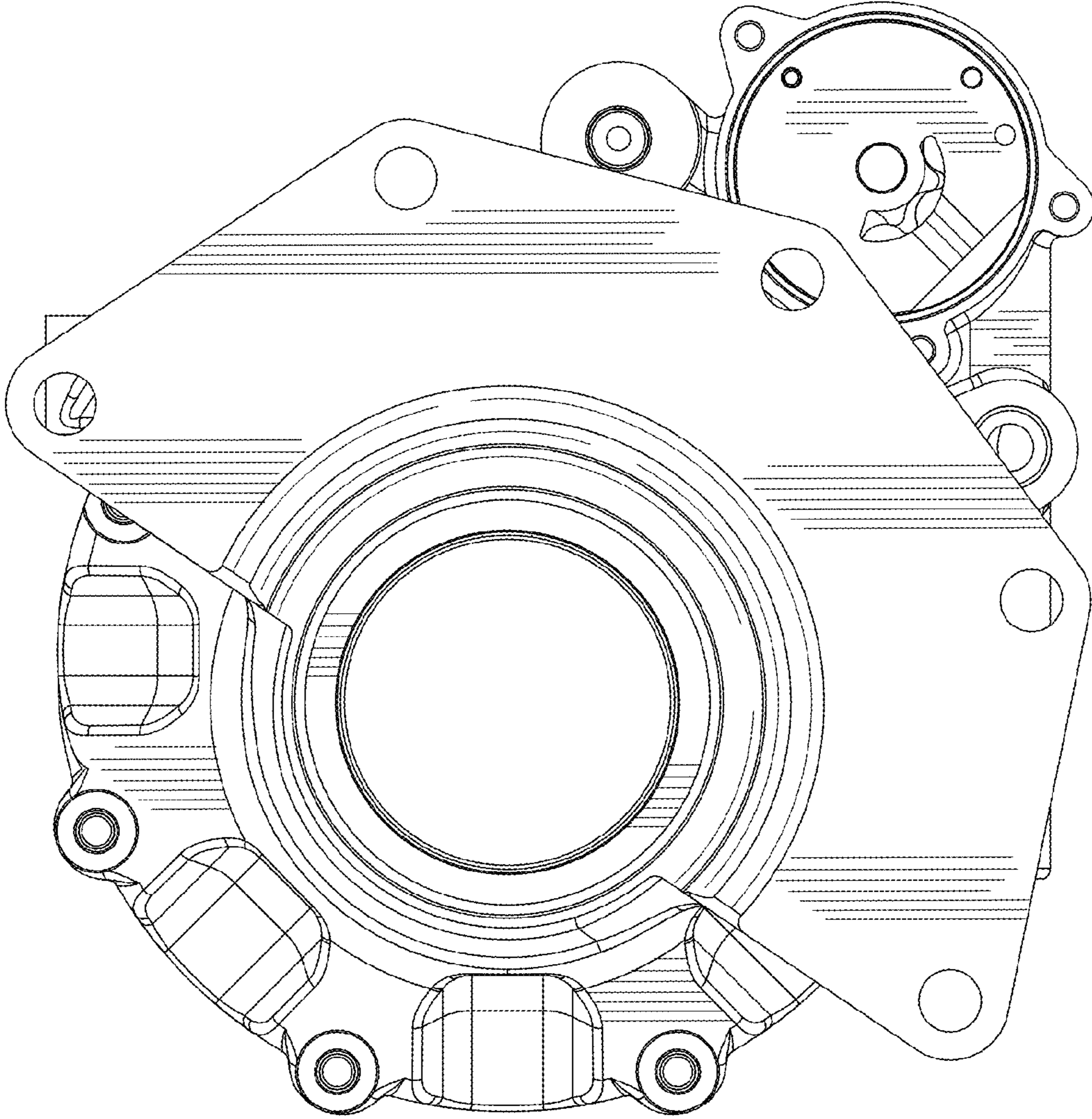


FIG - 4

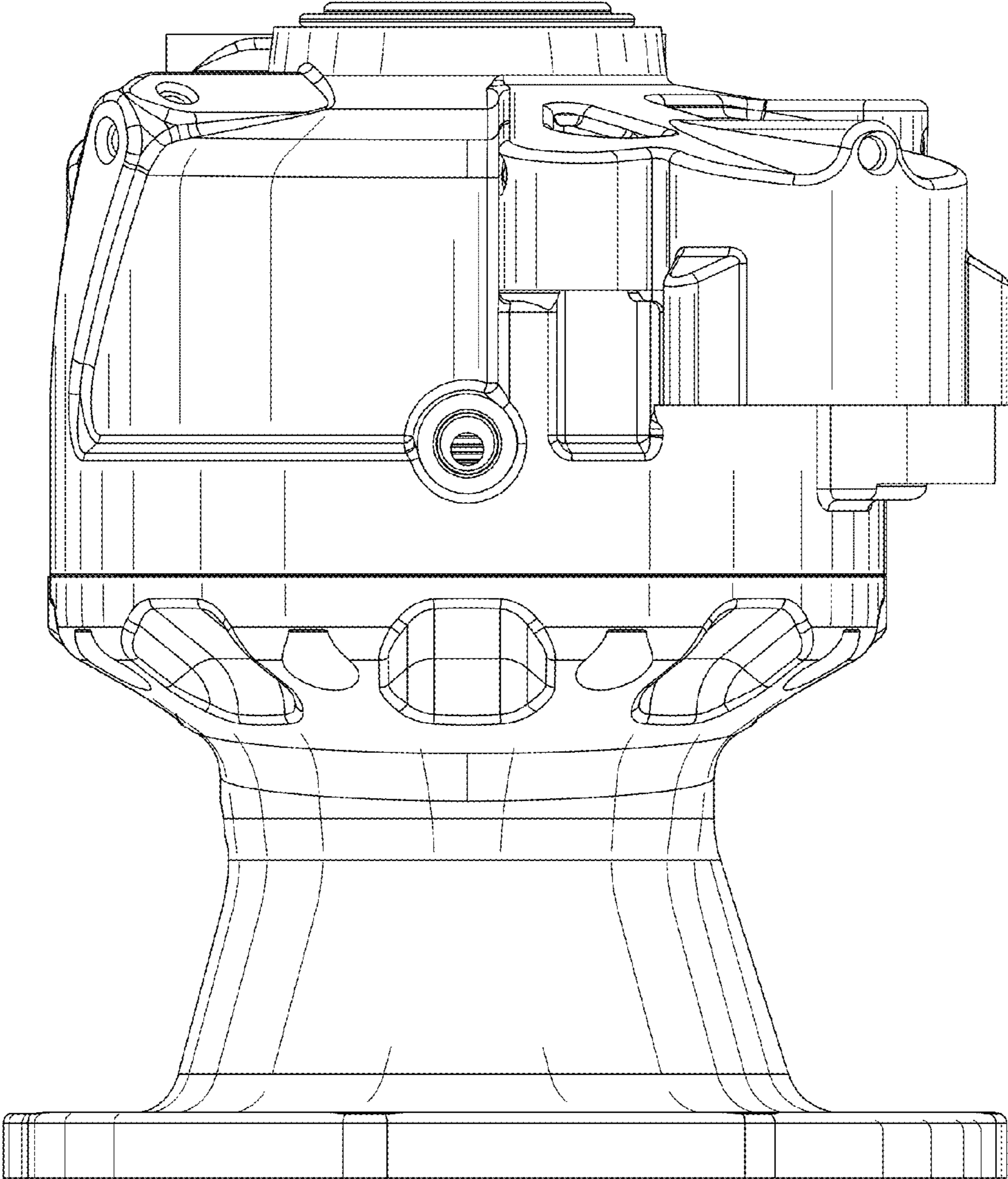


FIG - 5

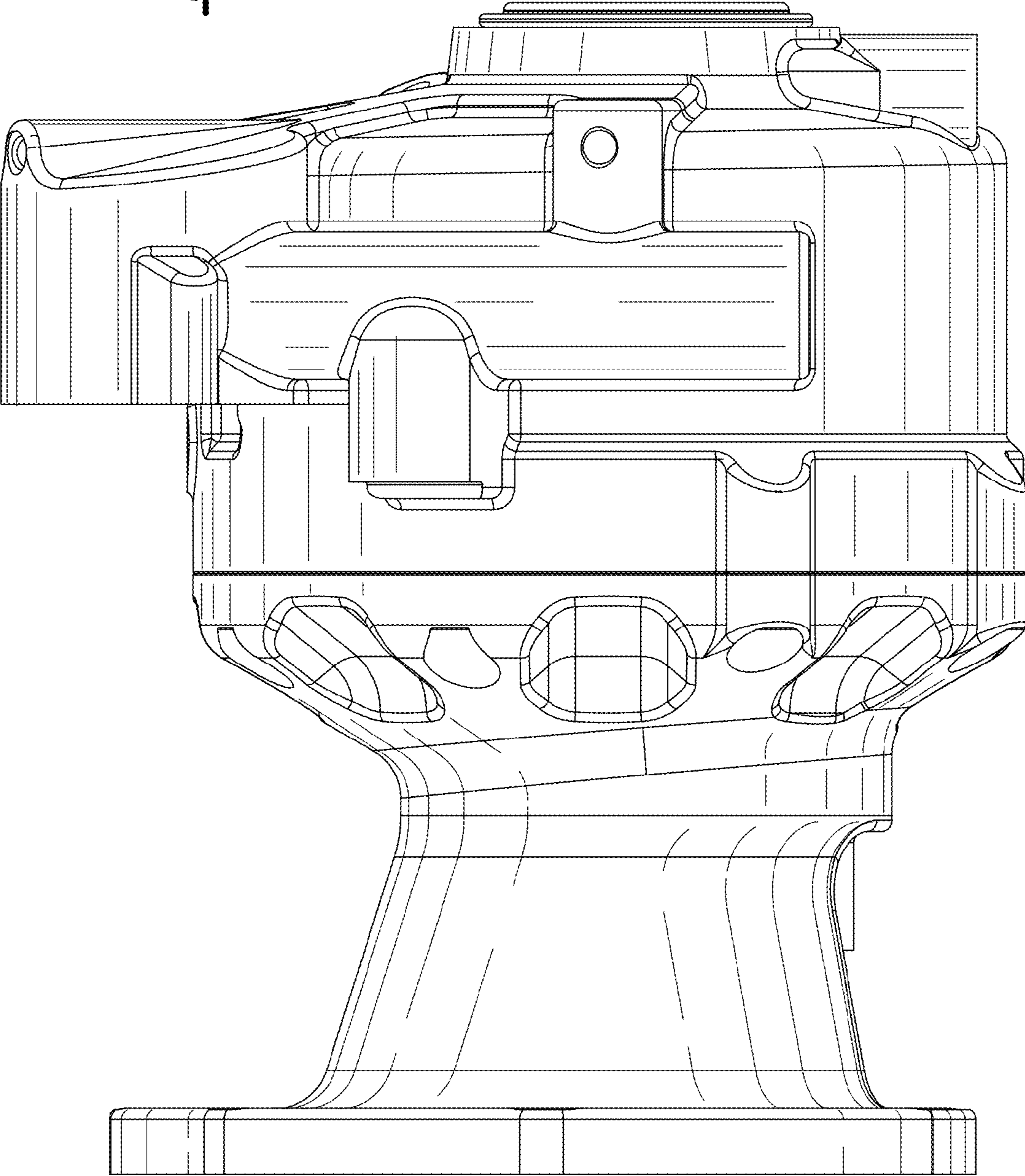


FIG - 6

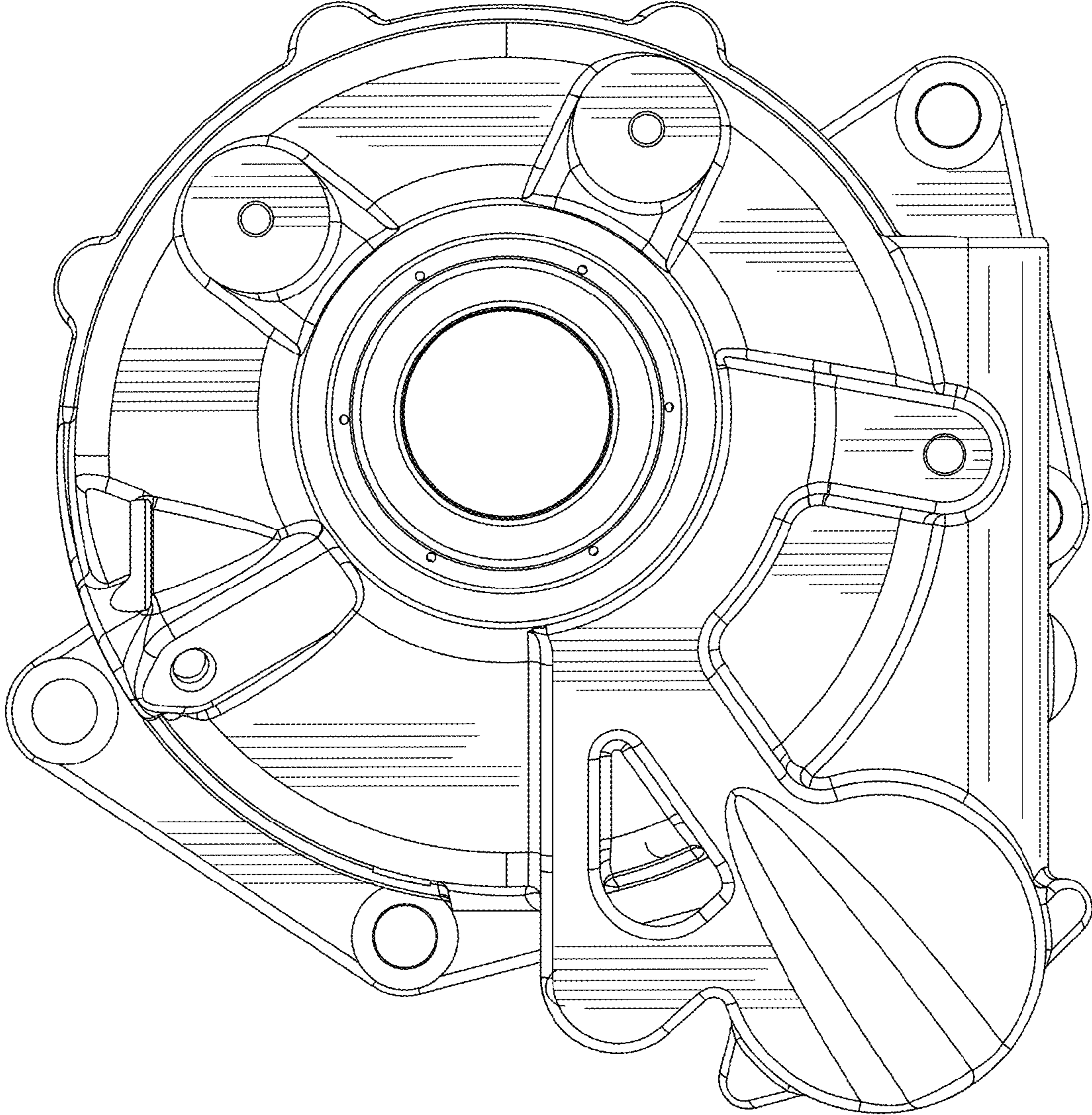


FIG - 7

