



US00D736249S

(12) **United States Design Patent**  
**Omiya**

(10) **Patent No.:** **US D736,249 S**

(45) **Date of Patent:** **\*\* Aug. 11, 2015**

(54) **DISPLAY SCREEN WITH GRAPHICAL USER INTERFACE**

(71) Applicant: **P&W Solutions Co., Ltd.**,  
Shinagawa-ku, Tokyo (JP)

(72) Inventor: **Toshiyuki Omiya**, Tokyo (JP)

(73) Assignee: **P&W SOLUTIONS CO., LTD.**, Tokyo  
(JP)

(\*\*) Term: **14 Years**

(21) Appl. No.: **29/459,287**

(22) Filed: **Jun. 27, 2013**

(30) **Foreign Application Priority Data**

Dec. 28, 2012 (JP) ..... 2012-032169

(51) **LOC (10) Cl.** ..... **14-04**

(52) **U.S. Cl.**  
USPC ..... **D14/488; D14/493**

(58) **Field of Classification Search**  
USPC ..... D14/485-495  
CPC ..... G06F 3/0482; G06F 3/04842; G06F  
3/04817; G06F 3/048

See application file for complete search history.

(56) **References Cited**

**U.S. PATENT DOCUMENTS**

D557,275 S *	12/2007	De Mar et al. ....	D14/487
D590,412 S *	4/2009	Saft et al. ....	D14/486
D643,044 S *	8/2011	Ording ....	D14/486
D688,690 S *	8/2013	Garn et al. ....	D14/488
D689,082 S *	9/2013	Stiffler ....	D14/486
D689,894 S *	9/2013	Holz ....	D14/486
D691,155 S *	10/2013	Talbot et al. ....	D14/485
D699,738 S *	2/2014	Edwards et al. ....	D14/486
D701,237 S *	3/2014	Cho ....	D14/488

D701,240 S *	3/2014	Campiranon et al. ....	D14/489
D705,240 S *	5/2014	Edwards et al. ....	D14/485
D705,786 S *	5/2014	Edwards et al. ....	D14/485
D727,345 S *	4/2015	Ray et al. ....	D14/488

\* cited by examiner

*Primary Examiner* — Karen E Kearney

*Assistant Examiner* — John Reickel

(74) *Attorney, Agent, or Firm* — Arent Fox LLP

(57) **CLAIM**

The ornamental design for a display screen with graphical user interface, as shown and described.

**DESCRIPTION**

FIG. 1 is a front view of a first usage state in a sequence for a display screen with graphical user interface;

FIG. 2 is a front view of a second usage state in a sequence for a display screen with graphical user interface;

FIG. 3 is an enlarged sectional view of the design according to line 3-3' of FIG. 1;

FIG. 4 is an enlarged sectional view of the design according to line 4-4' of FIG. 2;

FIG. 5 is a top view of the display screen with graphical user interface, the bottom view being a mirror image thereof;

FIG. 6 is a right side view of the display screen with graphical user interface;

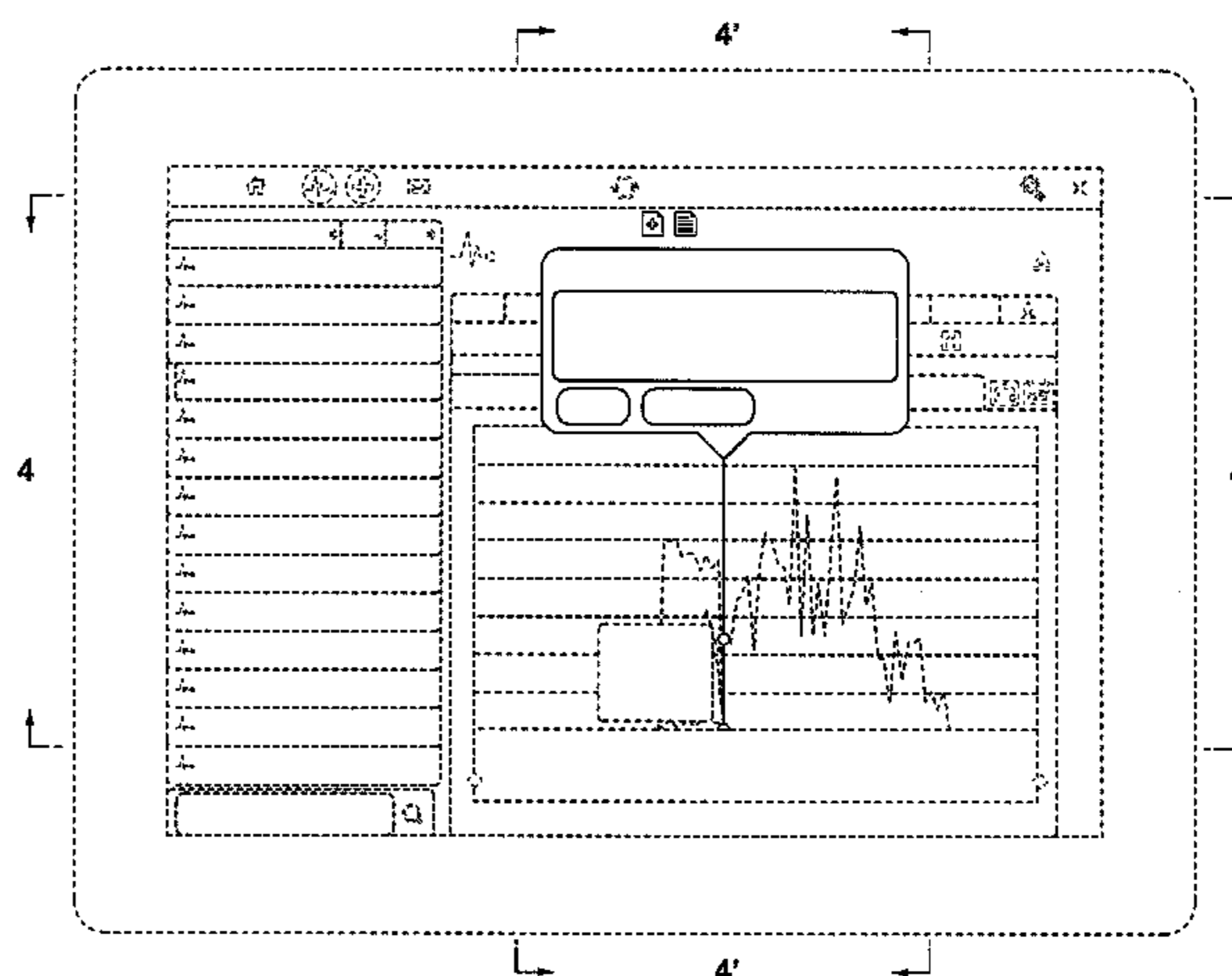
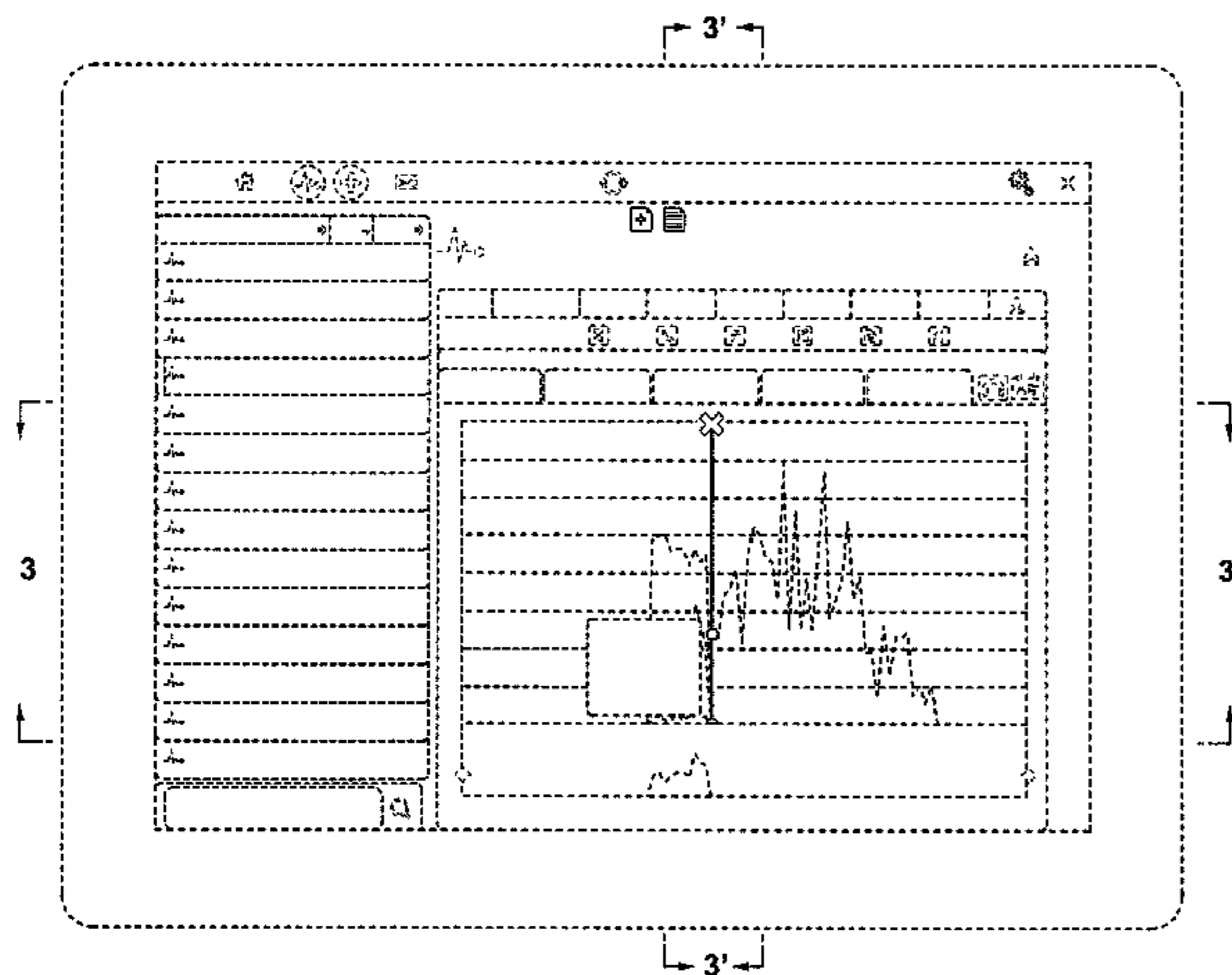
FIG. 7 is a left side view of the display screen with graphical user interface; and,

FIG. 8 is a back view of the display screen with graphical user interface.

The broken lines showing the display screen and the remainder of the graphical user interface form no part of the claimed design.

The appearance of the transitional image sequentially transitions between the images shown in FIG. 1-2. The process or period in which one image transitions to another image forms no part of the claimed design.

**1 Claim, 8 Drawing Sheets**



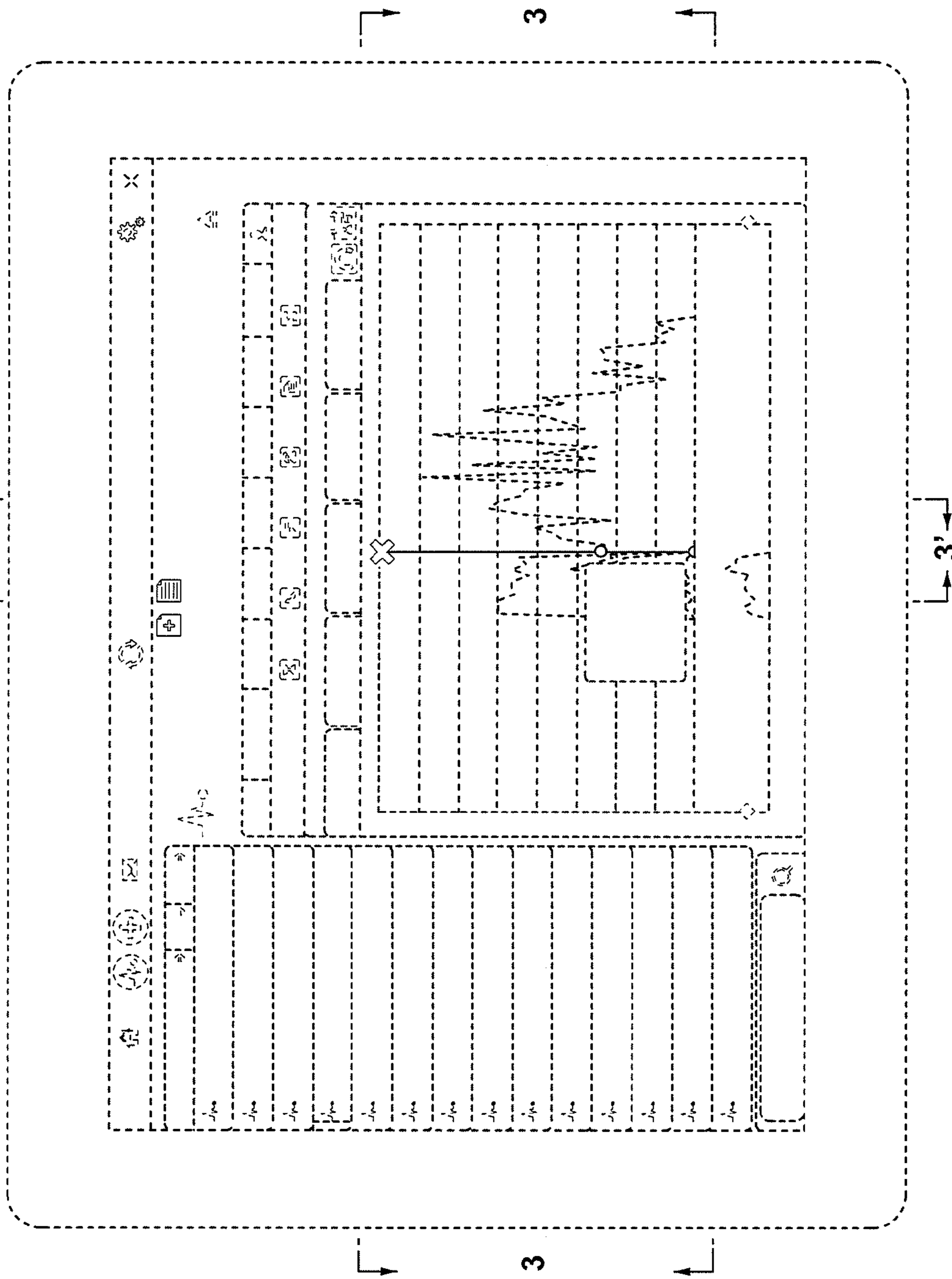


FIG.1

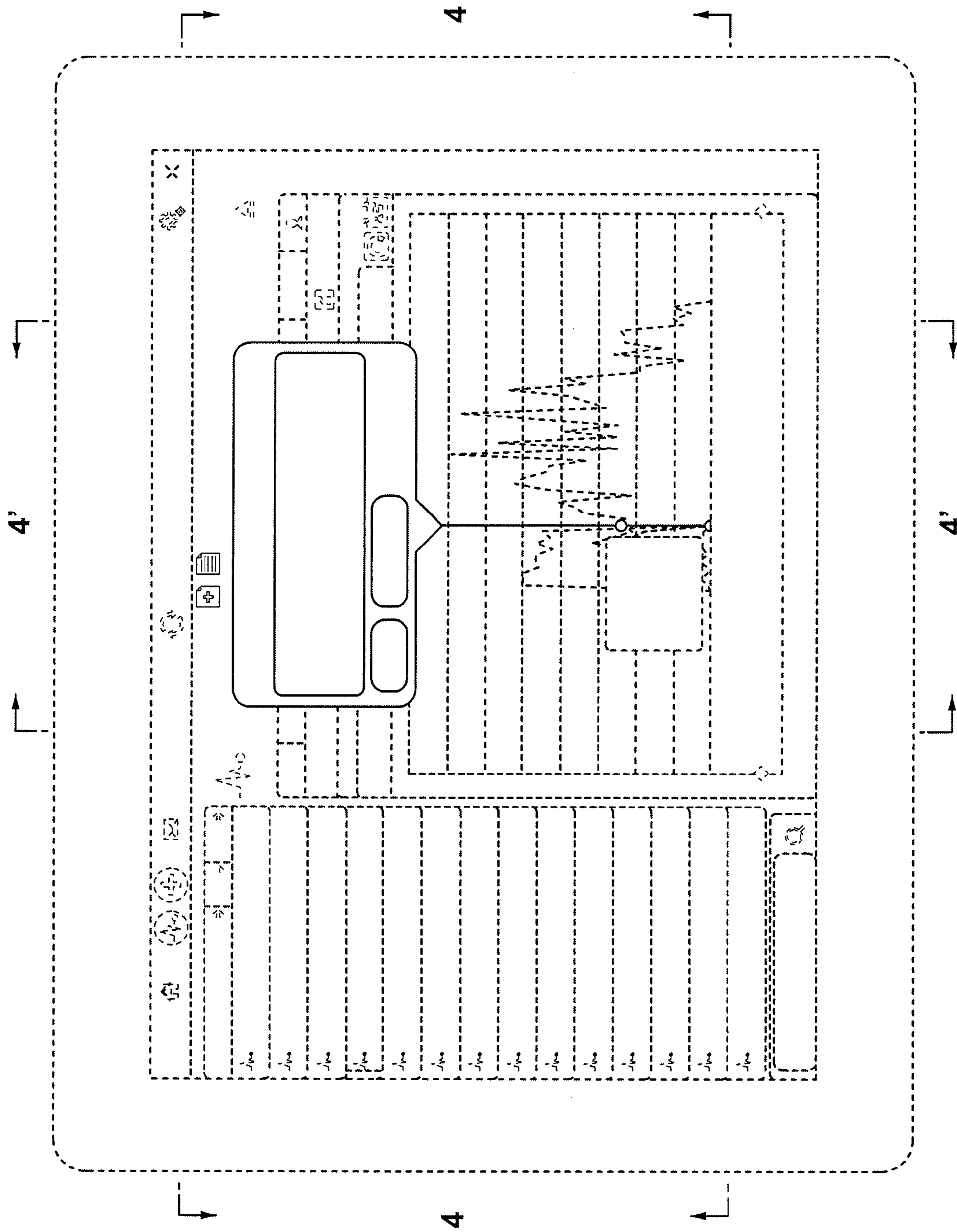


FIG. 2

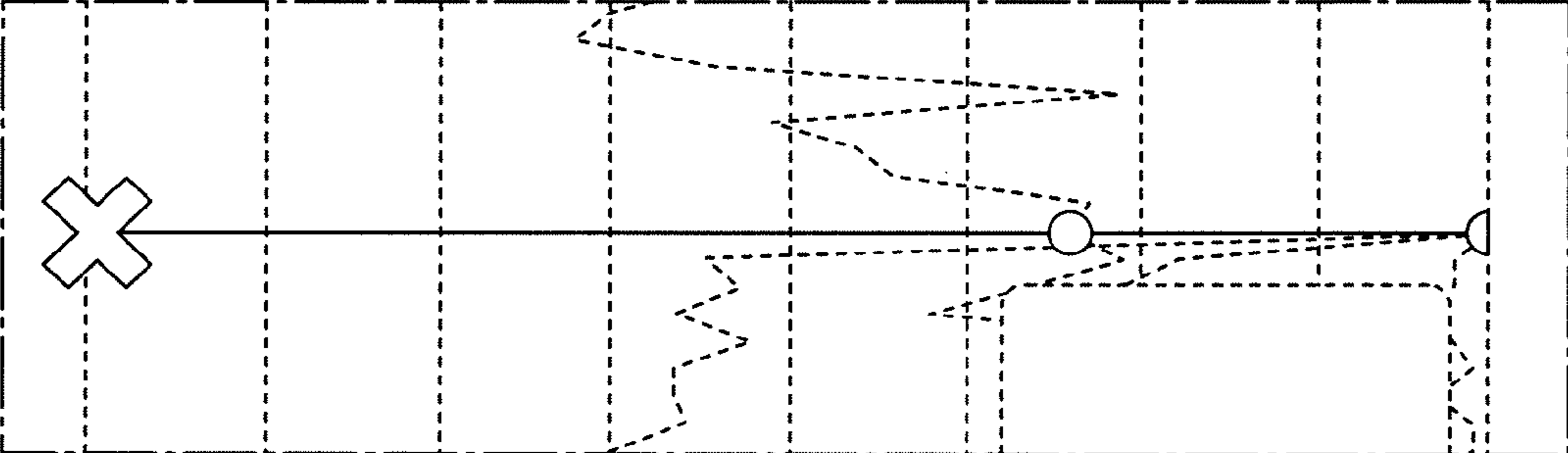


FIG.3

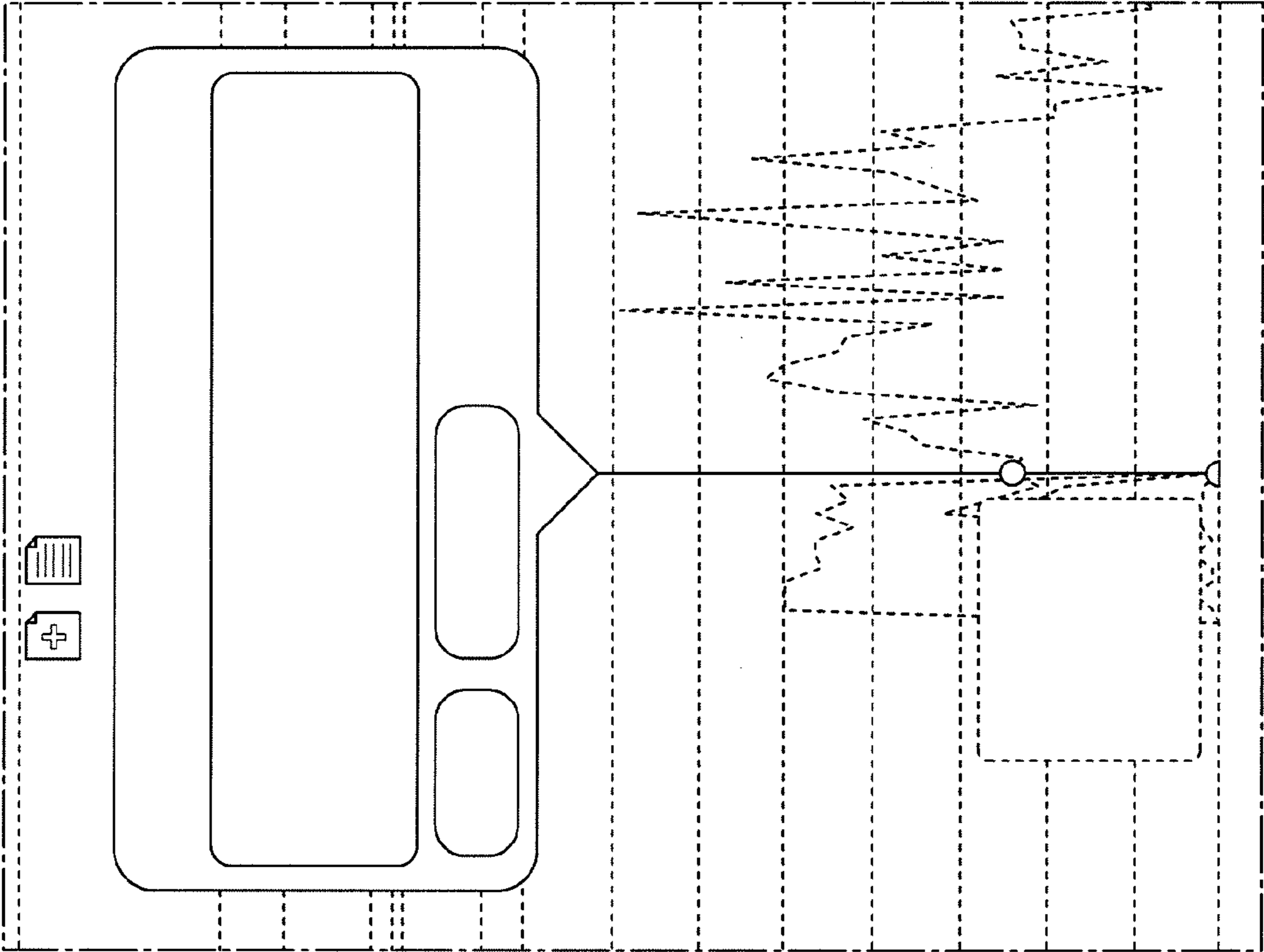


FIG.4



**FIG. 5**

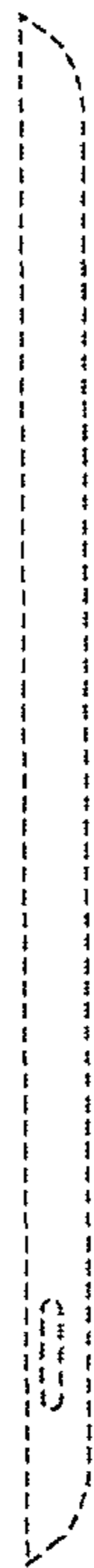


FIG. 6



FIG. 7



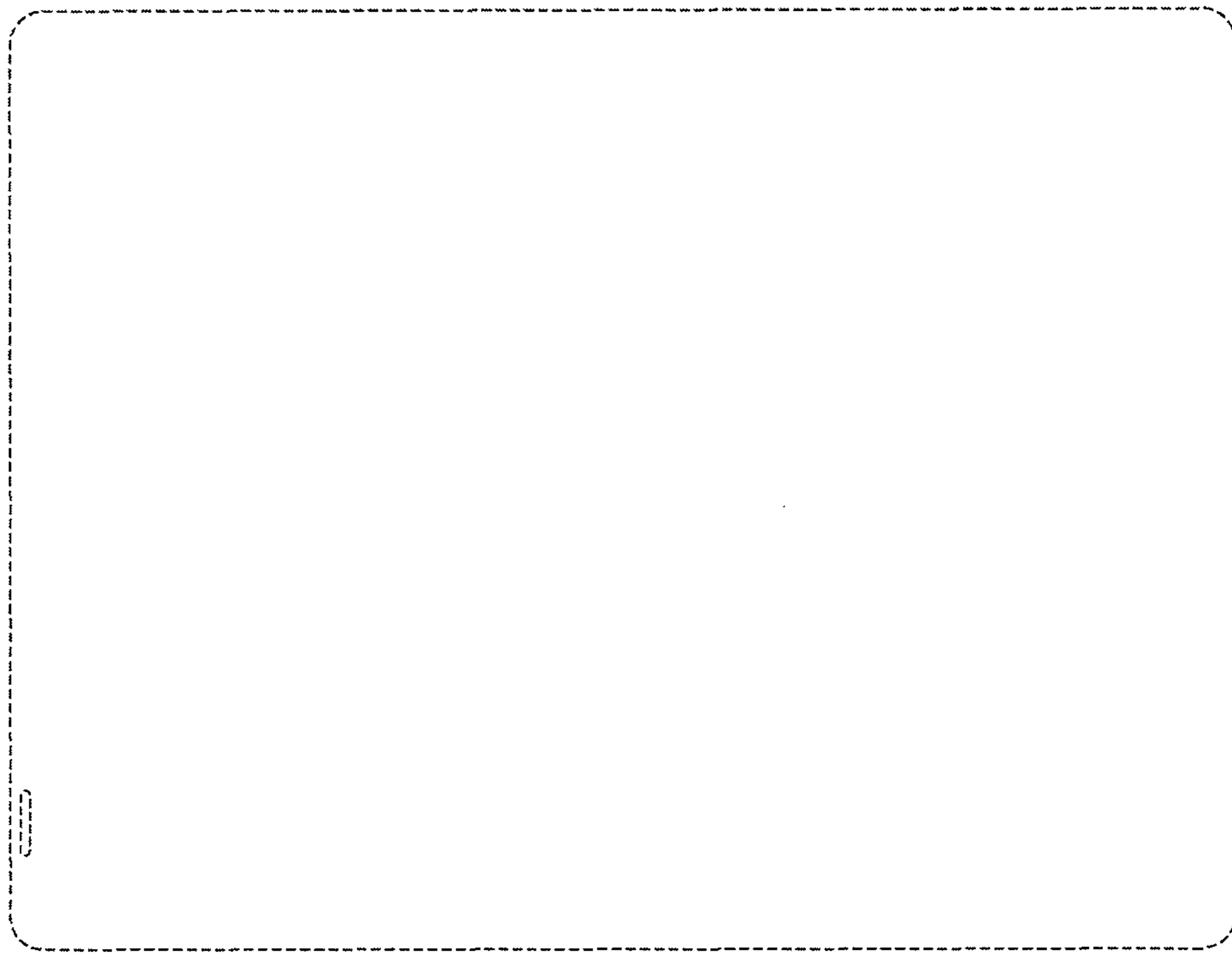


FIG. 8