



US00D736232S

(12) **United States Design Patent**
Gottschlag et al.

(10) **Patent No.:** **US D736,232 S**
(45) **Date of Patent:** **** Aug. 11, 2015**

(54) **DISPLAY SCREEN WITH GRAPHICAL USER INTERFACE**

(71) Applicant: **Robert Bosch GmbH**, Stuttgart (DE)

(72) Inventors: **Daniel Gottschlag**, Nuremberg (DE);
Lars Gerold, Stuttgart (DE);
Hans-Peter Aglassinger, Esslingen (DE)

(73) Assignee: **Robert Bosch GmbH**, Stuttgart (DE)

(**) Term: **14 Years**

(21) Appl. No.: **29/450,786**

(22) Filed: **Mar. 22, 2013**

(30) **Foreign Application Priority Data**

Sep. 24, 2012 (EM) 002108027

(51) **LOC (10) Cl.** **14-04**

(52) **U.S. Cl.**
USPC **D14/486**

(58) **Field of Classification Search**
USPC D14/485-495; 715/700-978
CPC G06F 3/048; G06F 3/0481; G06F 3/04847
See application file for complete search history.

(56) **References Cited**

U.S. PATENT DOCUMENTS

D396,455	S *	7/1998	Bier	D14/489
6,762,778	B1 *	7/2004	Golibrodski et al.	715/849
D550,696	S *	9/2007	Kortum et al.	D14/491
D602,033	S *	10/2009	Vu et al.	D14/485
7,735,018	B2 *	6/2010	Bakhash	715/782
7,743,337	B1 *	6/2010	Maeda et al.	715/781
8,276,097	B2 *	9/2012	Chen et al.	715/810
8,341,553	B2 *	12/2012	Reed	715/834
2004/0135823	A1 *	7/2004	Wingett et al.	345/856
2007/0220443	A1 *	9/2007	Cranfill et al.	715/786
2007/0260991	A1 *	11/2007	Schueler et al.	715/758
2009/0100366	A1 *	4/2009	Fitzmaurice et al.	715/767

2009/0158193	A1 *	6/2009	Chaudhri et al.	715/779
2010/0083190	A1 *	4/2010	Roberts et al.	715/863
2012/0204106	A1 *	8/2012	Hill et al.	715/716
2012/0278762	A1 *	11/2012	Mouilleseaux et al.	715/834
2012/0324388	A1 *	12/2012	Rao et al.	715/771

* cited by examiner

Primary Examiner — Ian Simmons

Assistant Examiner — Richelle G Shelton

(74) *Attorney, Agent, or Firm* — Maginot, Moore & Beck LLP

(57) **CLAIM**

The ornamental design for a display screen with graphical user interface, as shown and described.

DESCRIPTION

The file of this patent contains at least one drawing executed in color. Copies of this patent with color drawing will be provided by the Office upon request and payment of the necessary fee.

FIG. 1 is a perspective view of a display screen with graphical user interface showing our new design;

FIG. 2 is a front elevational view showing the design for the display screen with graphical user interface of FIG. 1;

FIG. 3 is a rear elevational view showing the design for the display screen with graphical user interface of FIG. 1;

FIG. 4 is a bottom plan view showing the design for the display screen with graphical user interface of FIG. 1;

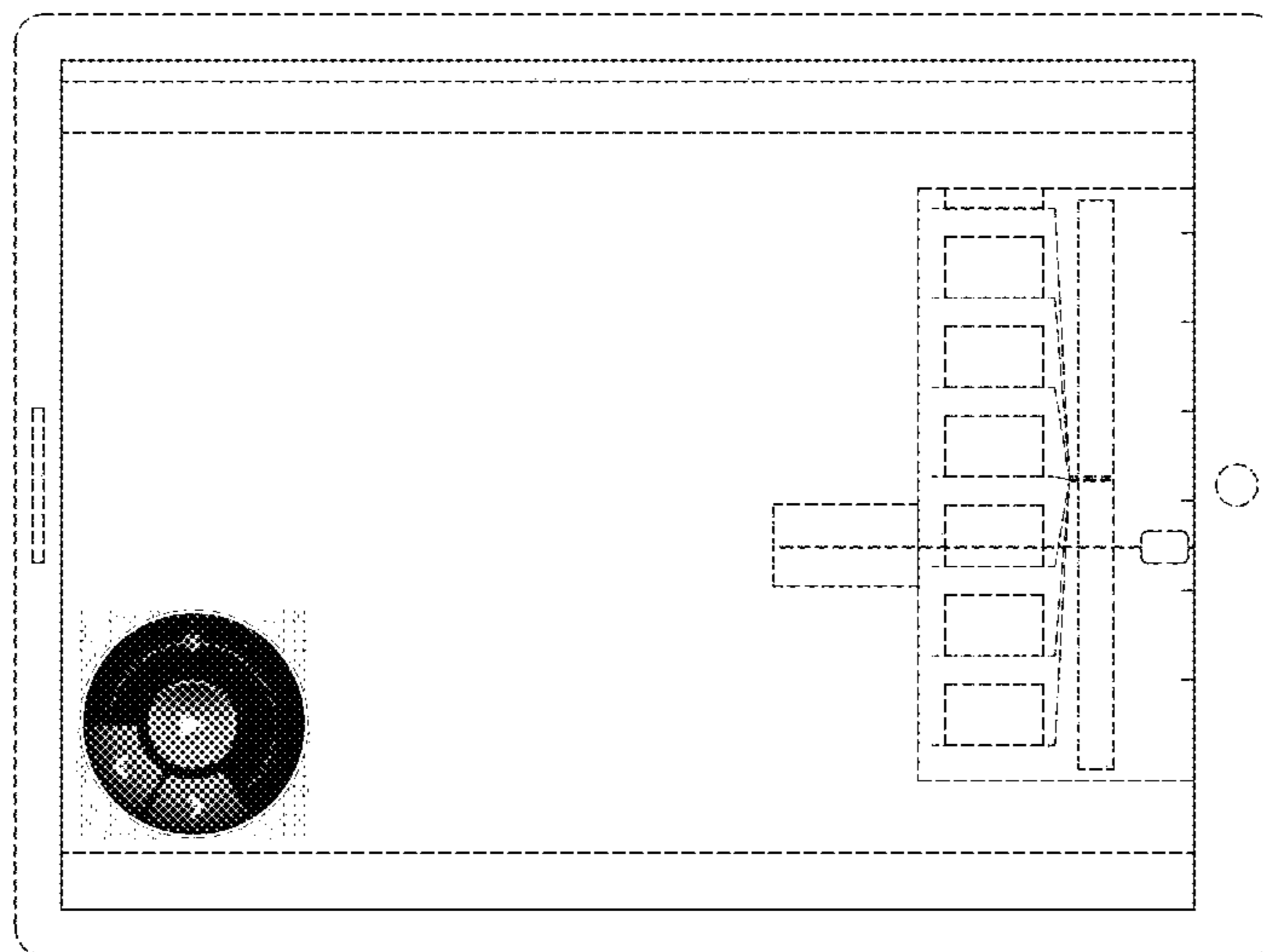
FIG. 5 is a top plan view showing the design for the display screen with graphical user interface of FIG. 1;

FIG. 6 is a left side elevational view showing the design for the display screen with graphical user interface of FIG. 1; and,

FIG. 7 is a right side elevational view showing the design for the display screen with graphical user interface of FIG. 1.

The broken lines shown in the drawings form no part of the claimed design.

1 Claim, 7 Drawing Sheets
(2 of 7 Drawing Sheet(s) Filed in Color)



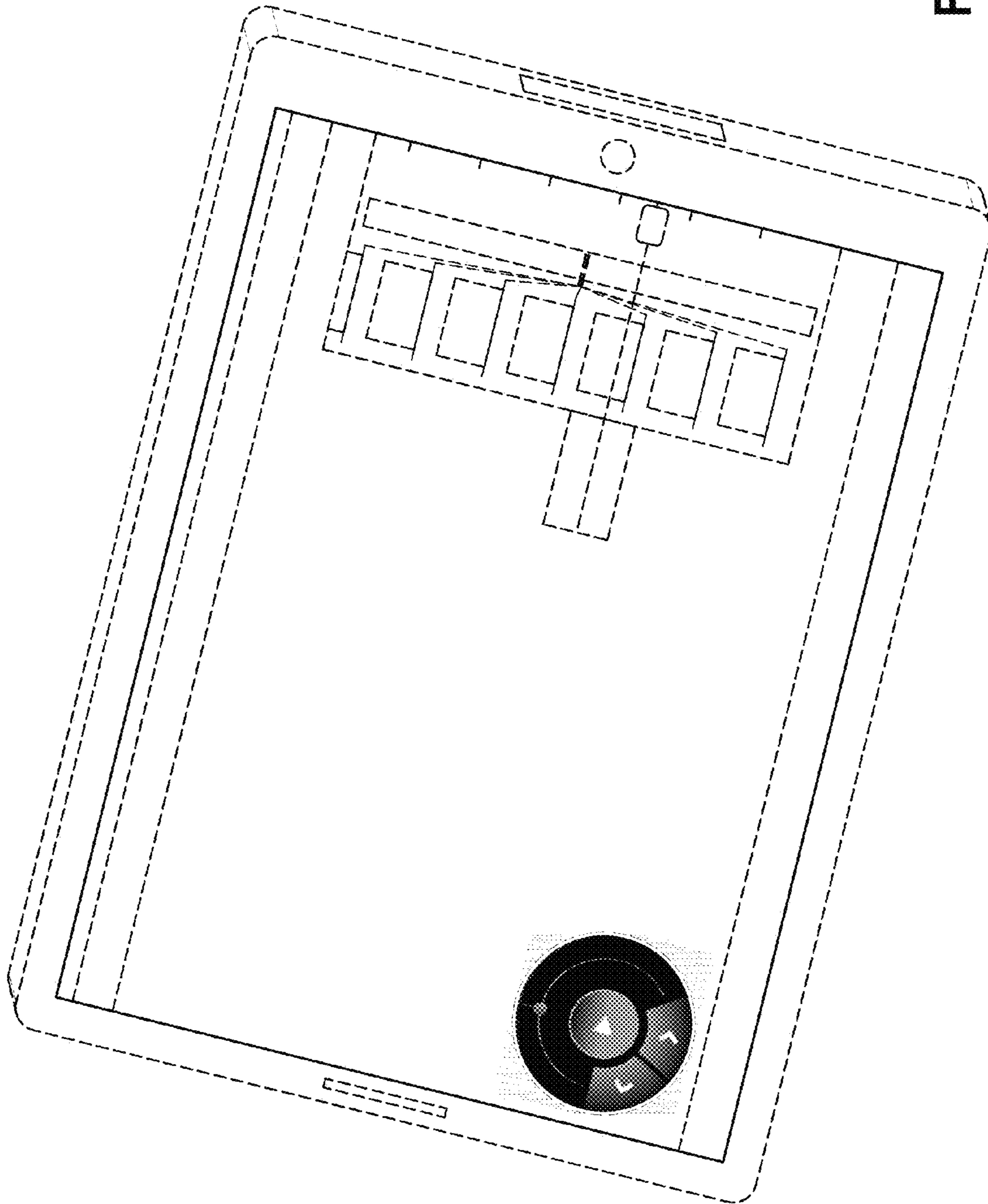


Fig. 1

Fig. 2

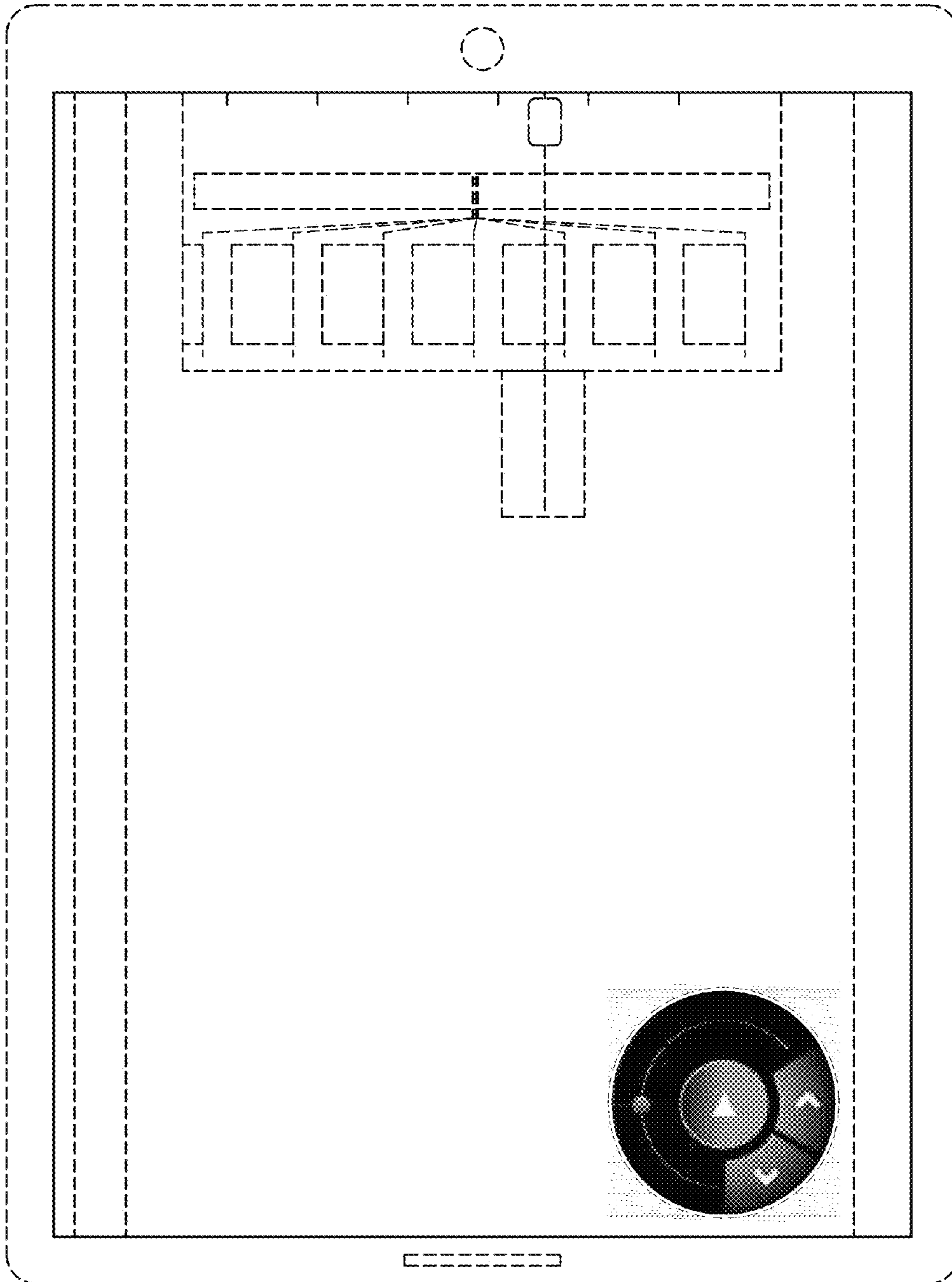


Fig. 3

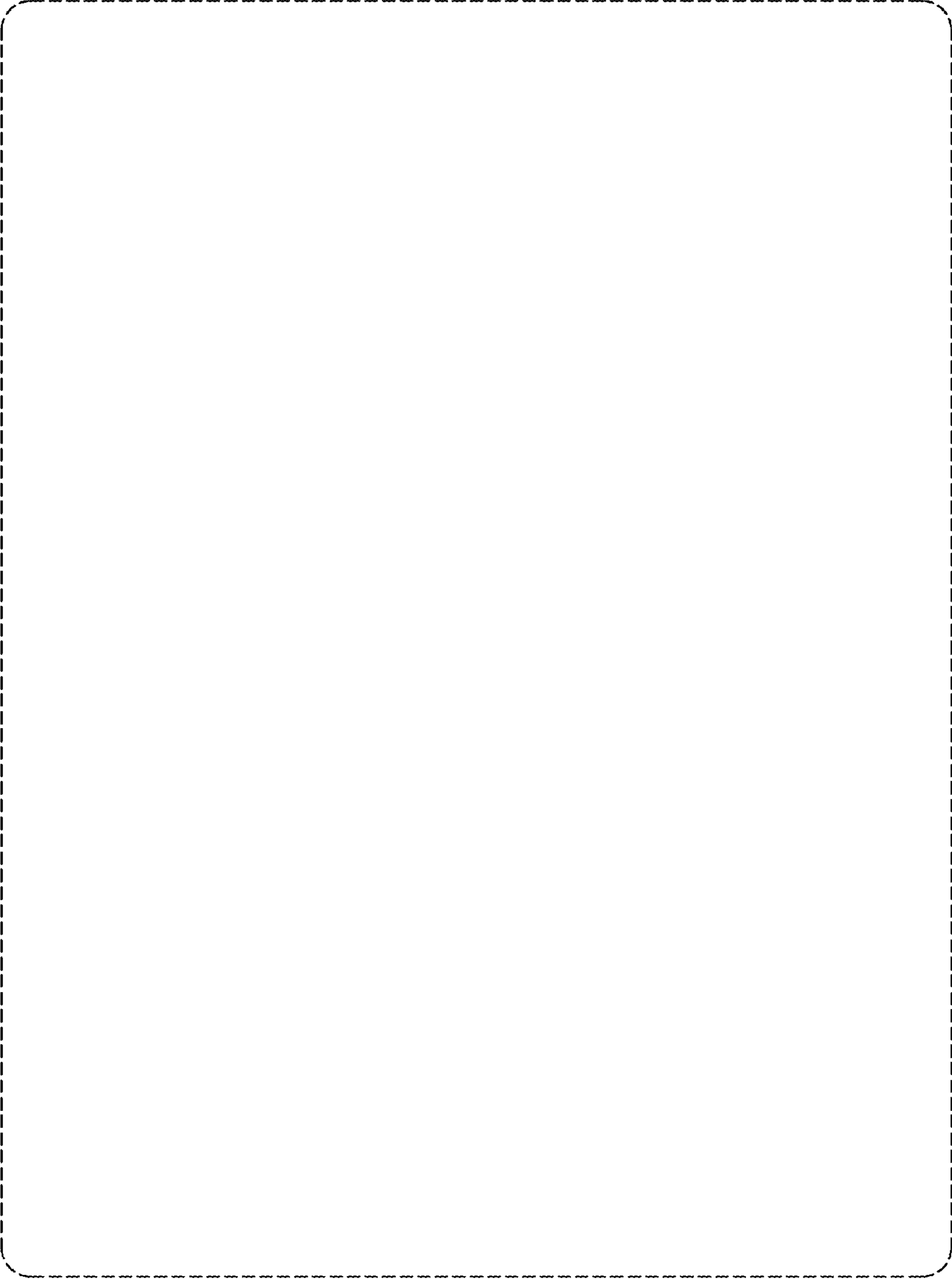


Fig. 4



Fig. 5





Fig. 6

Fig. 7

