



US00D736218S

(12) **United States Design Patent**
Lee et al.

(10) **Patent No.:** **US D736,218 S**
(45) **Date of Patent:** **** Aug. 11, 2015**

- (54) **DIGITAL CLIPBOARD PANEL**
- (71) Applicant: **Samsung Electronics Co., Ltd.**,
Suwon-si, Gyeonggi-do (KR)
- (72) Inventors: **Eui-Ju Lee**, Seoul (KR); **Sung-Jin Park**, Seoul (KR)
- (73) Assignee: **Samsung Electronics Co., Ltd.**,
Suwon-si (KR)
- (**) Term: **14 Years**
- (21) Appl. No.: **29/448,925**
- (22) Filed: **Mar. 14, 2013**
- (30) **Foreign Application Priority Data**
Oct. 23, 2012 (KR) 30-2012-0050274
- (51) **LOC (10) Cl.** **14-02**
- (52) **U.S. Cl.**
USPC **D14/454; D14/388**
- (58) **Field of Classification Search**
USPC D14/341-346, 356, 388-401, 432, 433,
D14/439, 454-456; D13/162, 168;
455/550.1, 556.1, 556.2; 345/168-178;
341/22; D19/113
See application file for complete search history.

- (56) **References Cited**
U.S. PATENT DOCUMENTS
D388,774 S * 1/1998 Giuntoli D14/454
D583,384 S * 12/2008 O'Neil et al. D14/455
D603,865 S * 11/2009 Jordan et al. D14/455

- D613,746 S * 4/2010 Jordan et al. D14/455
- D614,183 S * 4/2010 Mason D14/345
- D633,506 S * 3/2011 Jordan et al. D14/455
- D656,935 S * 4/2012 Jones et al. D14/341

* cited by examiner

Primary Examiner — Deanna L Pratt
(74) *Attorney, Agent, or Firm* — NSIP Law

(57) **CLAIM**
The ornamental design for a digital clipboard panel, as shown and described.

DESCRIPTION

FIG. 1 is a bottom perspective view of a digital clipboard panel;
 FIG. 2 is a front view of the digital clipboard panel of FIG. 1;
 FIG. 3 is a rear view of the digital clipboard panel of FIG. 1;
 FIG. 4 is a left-side view of the digital clipboard panel of FIG. 1;
 FIG. 5 is a right-side view of the digital clipboard panel of FIG. 1;
 FIG. 6 is a top plan view of the digital clipboard panel of FIG. 1;
 FIG. 7 is a bottom plan view of the digital clipboard panel of FIG. 1;
 FIG. 8 is a perspective view of the digital clipboard panel of FIG. 1, shown with an example environment;
 FIG. 9 is a second perspective view of the digital clipboard panel of FIG. 1, shown with an example environment; and,
 FIG. 10 is a third perspective view of the digital clipboard panel of FIG. 1, shown with an example environment.
 Features shown in broken lines in FIGS. 1, 2, 3, 4, 5, 6, 7, 8, 9, and 10, form no part of the claimed design.

1 Claim, 8 Drawing Sheets

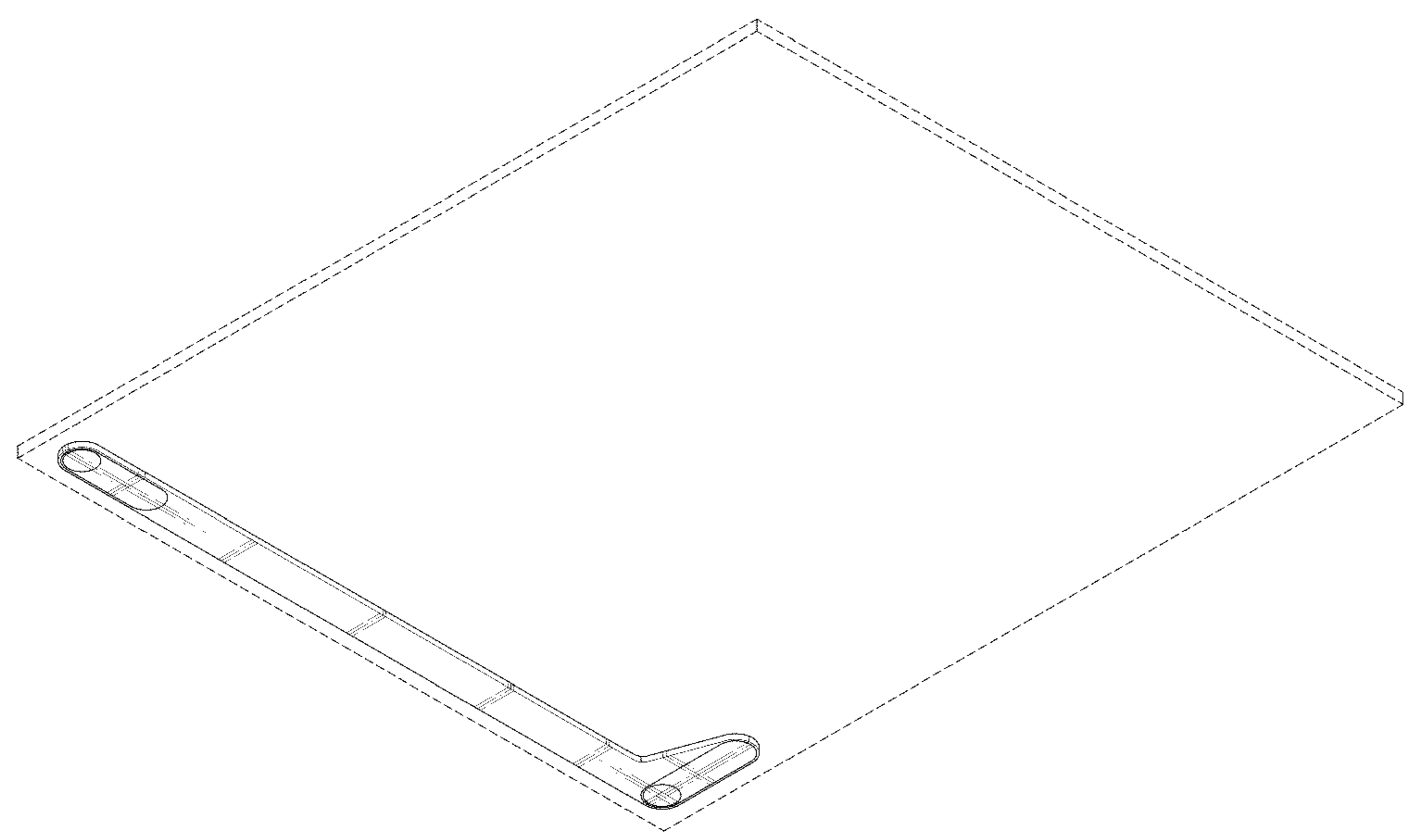


FIG. 1

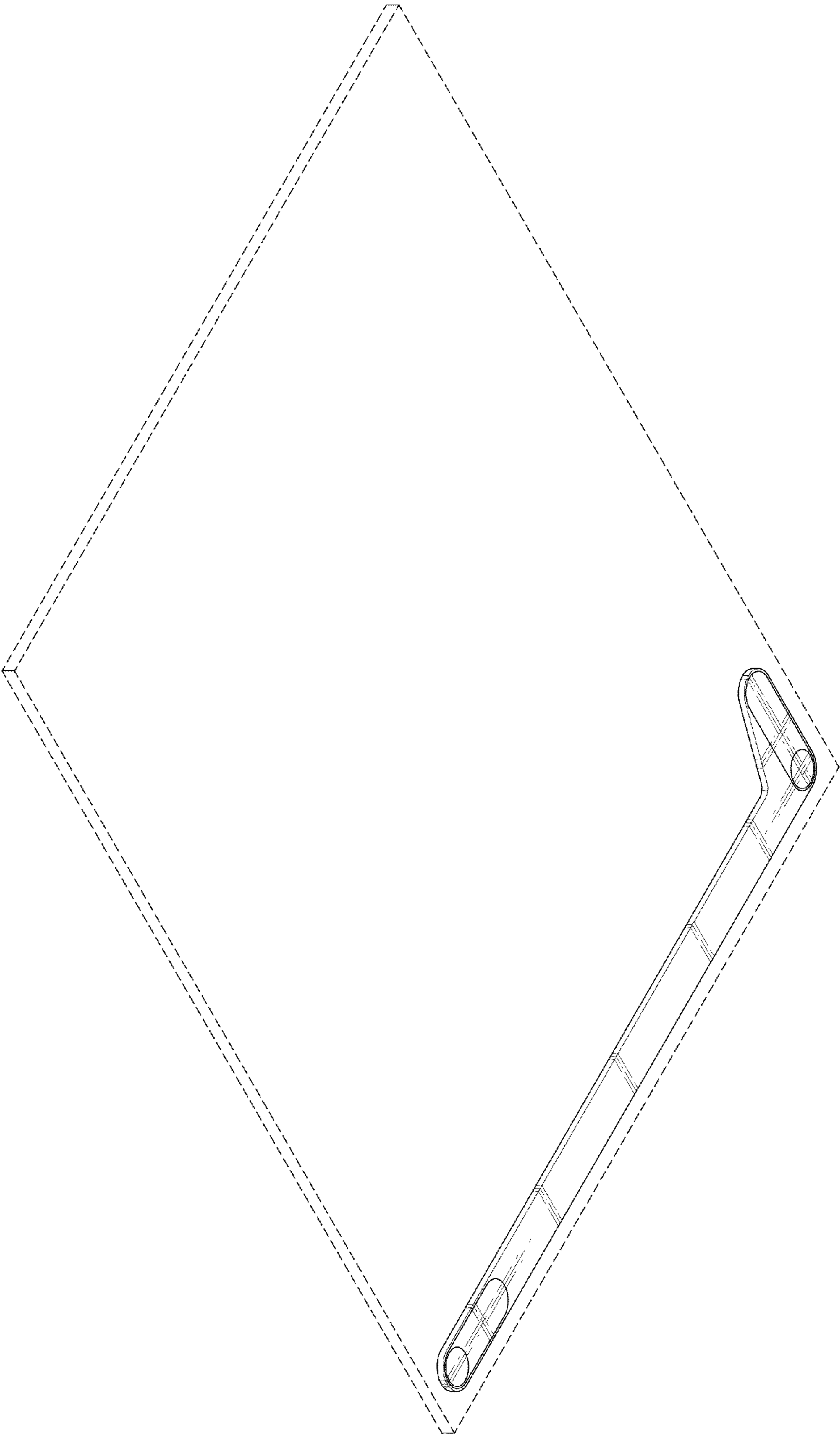


FIG. 2



FIG. 3



FIG. 4

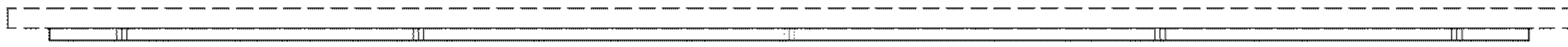


FIG. 5



FIG. 6

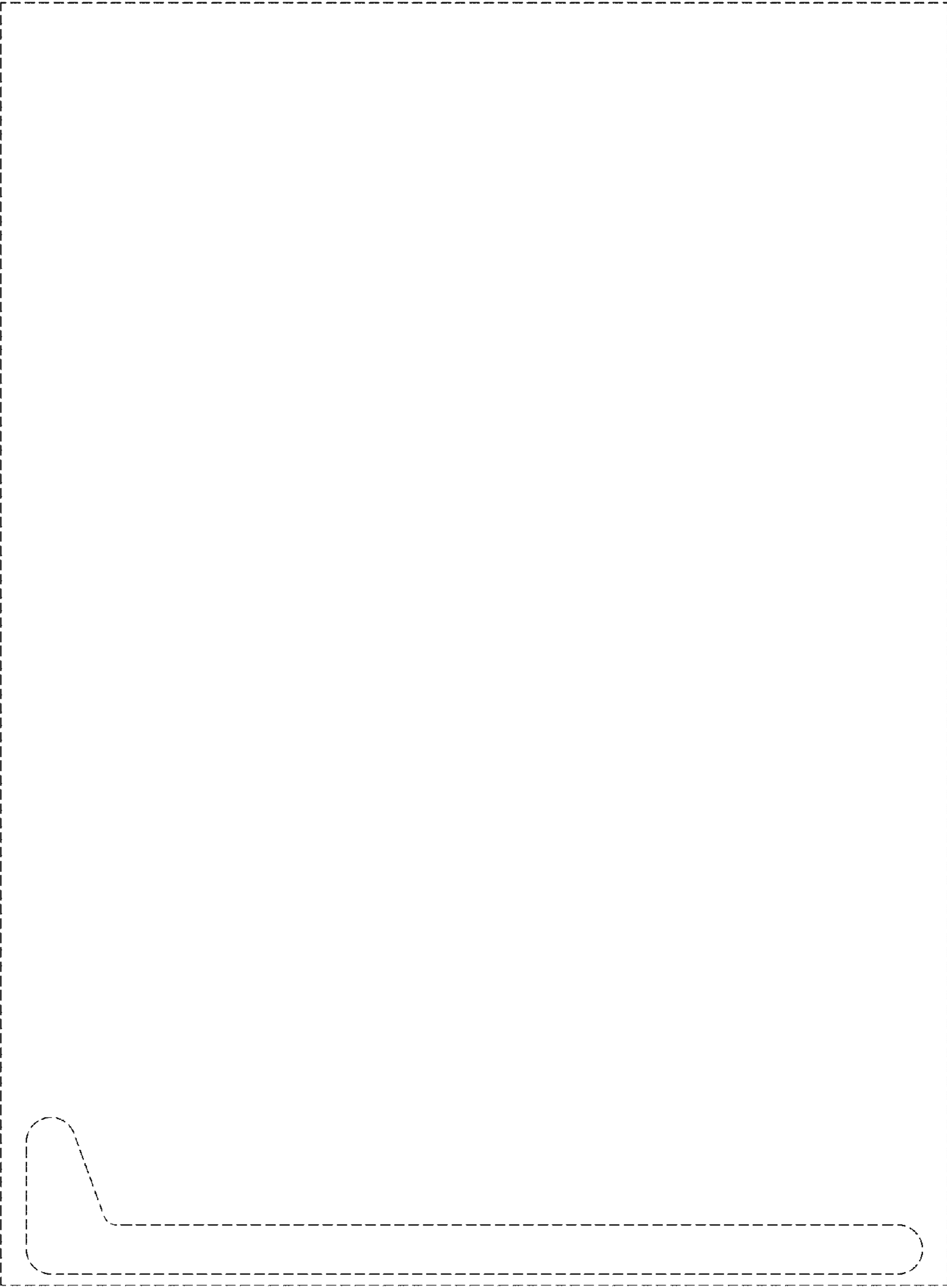


FIG. 7

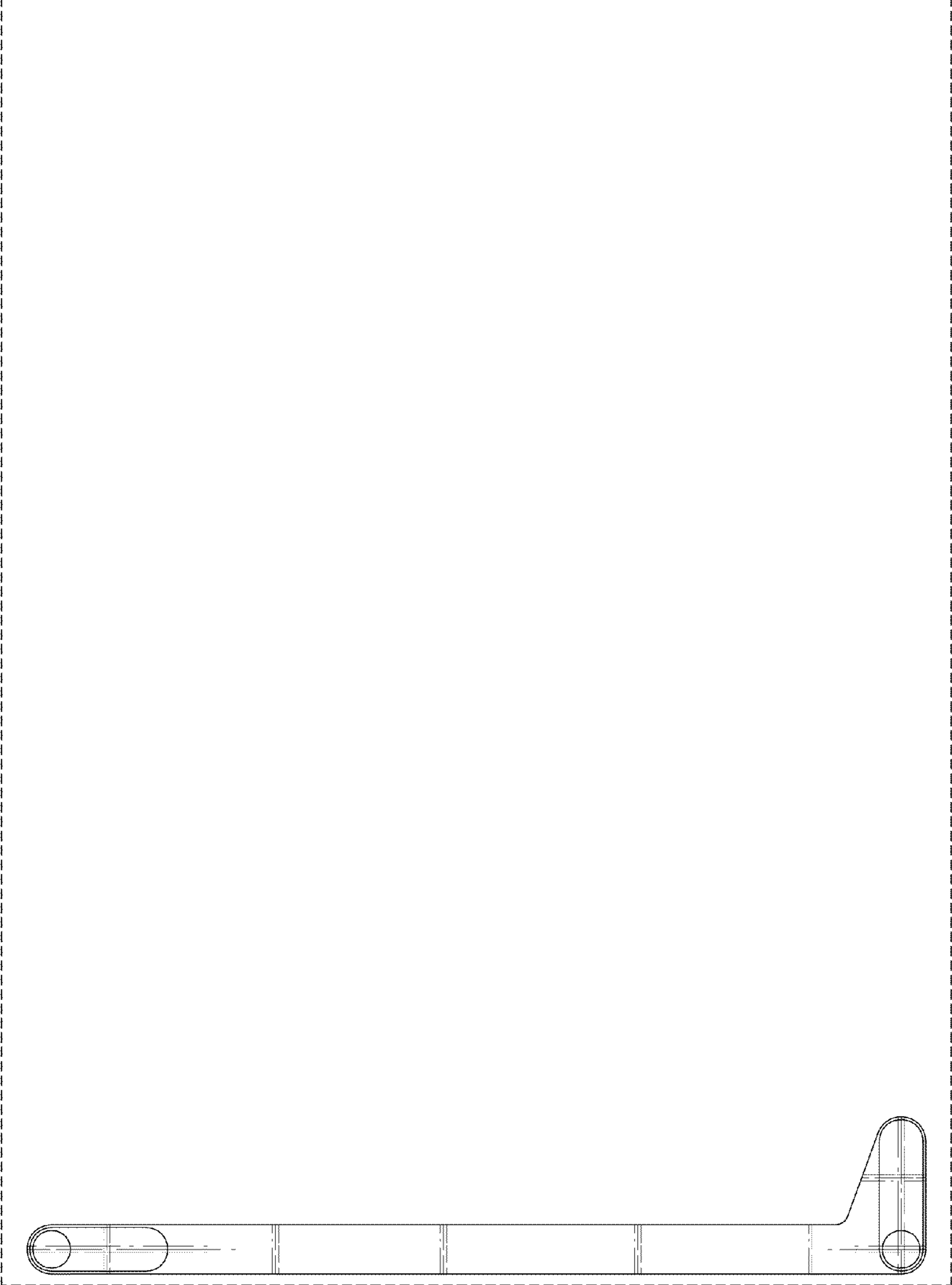


FIG. 8

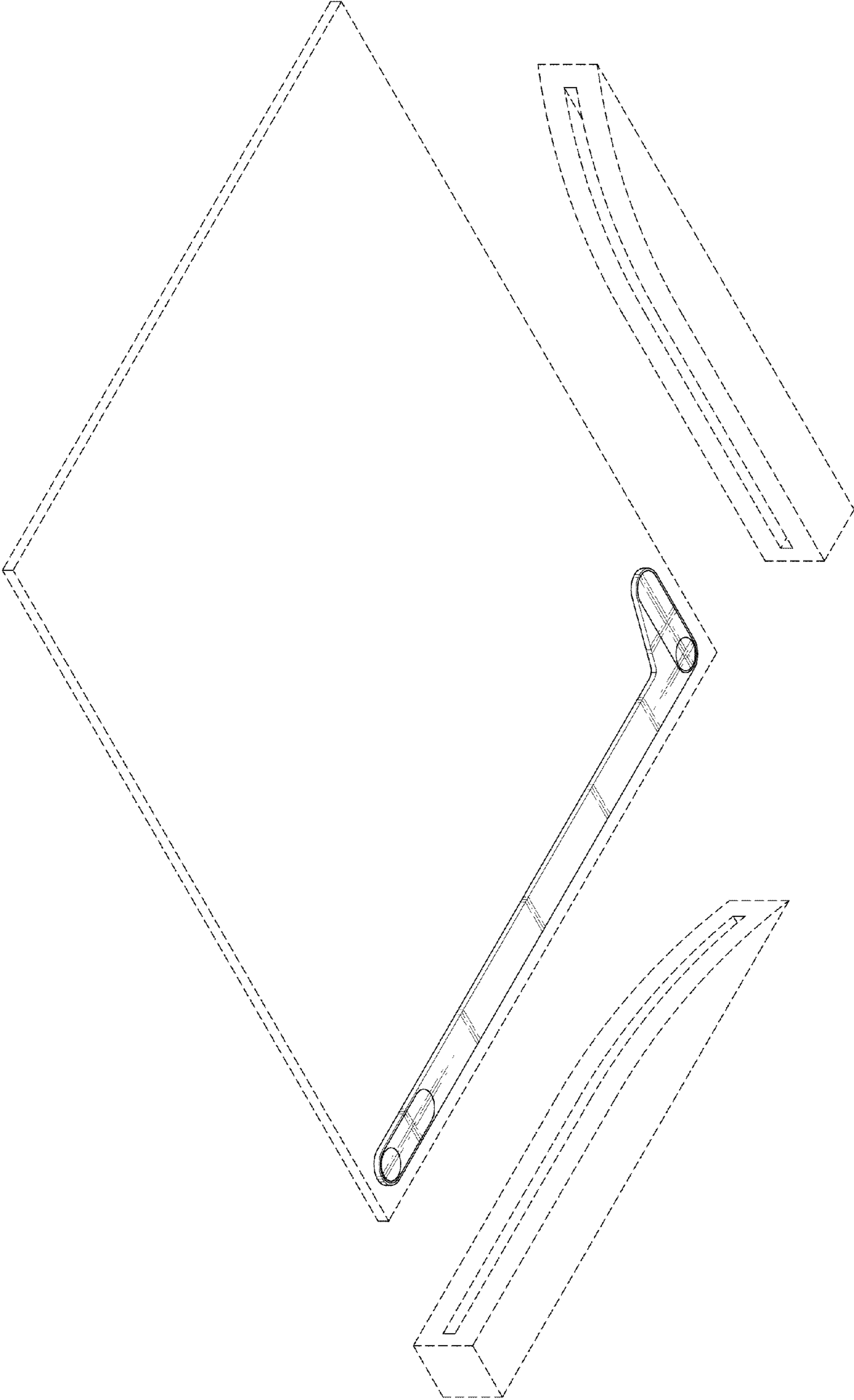


FIG. 9

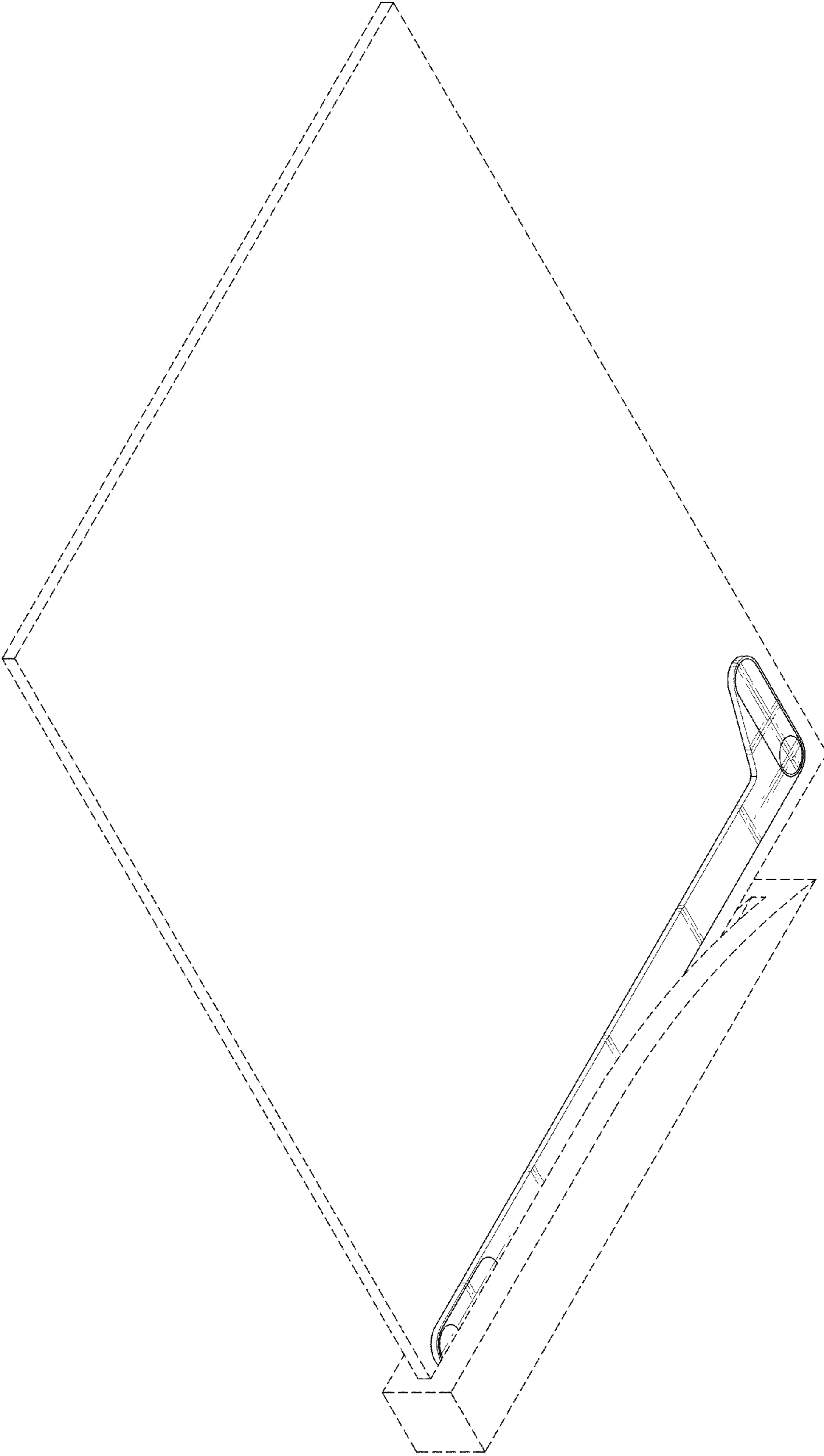


FIG. 10

