

US00D736217S

(12) **United States Design Patent**
Wang

(10) **Patent No.:** **US D736,217 S**

(45) **Date of Patent:** **** Aug. 11, 2015**

(54) **ELECTRONIC DEVICES HOLDER**

(56) **References Cited**

(71) Applicant: **Xi-Zhang Wang**, New Taipei (TW)

U.S. PATENT DOCUMENTS

(72) Inventor: **Xi-Zhang Wang**, New Taipei (TW)

(**) Term: **14 Years**

(21) Appl. No.: **29/470,969**

(22) Filed: **Oct. 25, 2013**

(51) **LOC (10) Cl.** **08-07**

(52) **U.S. Cl.**
USPC **D14/451**

(58) **Field of Classification Search**

USPC D14/371–382, 125–129, 336, 337,
D14/447–452, 492, 335, 239, 457, 439–441,
D14/432, 251–253; D8/349, 354, 363, 373,
D8/376, 380; D21/333; D12/415; D3/218;
348/180, 184, 325, 739, 825
CPC G06F 3/0412; G06F 3/016; G06F 3/0488;
G06F 3/011; G06F 3/038; G06F 3/03543;
G06F 3/0338; G06F 3/0202; G06F 3/0219;
G06F 3/0213; G06F 1/1616; G06F 3/023;
G06F 3/04883; G09G 3/3648; G02F 1/13338;
G02F 1/1313; G02F 1/1333; G02F 1/135;
G02F 1/132; G02F 1/133308; G02F 1/134309;
G02F 1/13718; G06K 15/1252; B41J 2/465;
G03F 7/70291; G02B 27/0172; G02B 5/30;
G02B 2027/0118; G02B 27/0101; F16M
13/02; F16M 13/00; F16M 11/10; F16M
11/04; F16M 2200/08; F16M 11/2021;
A47B 21/0314; A47B 88/044; A47B
2021/0335; H02G 3/126; F16B 47/00; F16B
47/006; A47G 1/17; A47K 2201/00

See application file for complete search history.

D487,270 S *	3/2004	Richter	D14/447
D545,826 S *	7/2007	Richter	D14/447
D592,188 S *	5/2009	Huang	D14/217
D593,103 S *	5/2009	Richter	D14/447
D603,322 S *	11/2009	Nicieja	D12/415
D637,656 S *	5/2011	Brault et al.	D21/333
D646,674 S *	10/2011	Liao	D14/253
D654,120 S *	2/2012	Lin	D21/333
D655,284 S *	3/2012	Richter	D14/253
D672,782 S *	12/2012	Gross	D14/447
D684,979 S *	6/2013	Chun	D14/447
D684,980 S *	6/2013	Chun	D14/447
D690,306 S *	9/2013	Malisse et al.	D14/447
D704,195 S *	5/2014	Marquette	D14/447

* cited by examiner

Primary Examiner — Deanna L Pratt

Assistant Examiner — Katie Mroczka

(74) *Attorney, Agent, or Firm* — Jackson IPG PLLC;
Demian K. Jackson

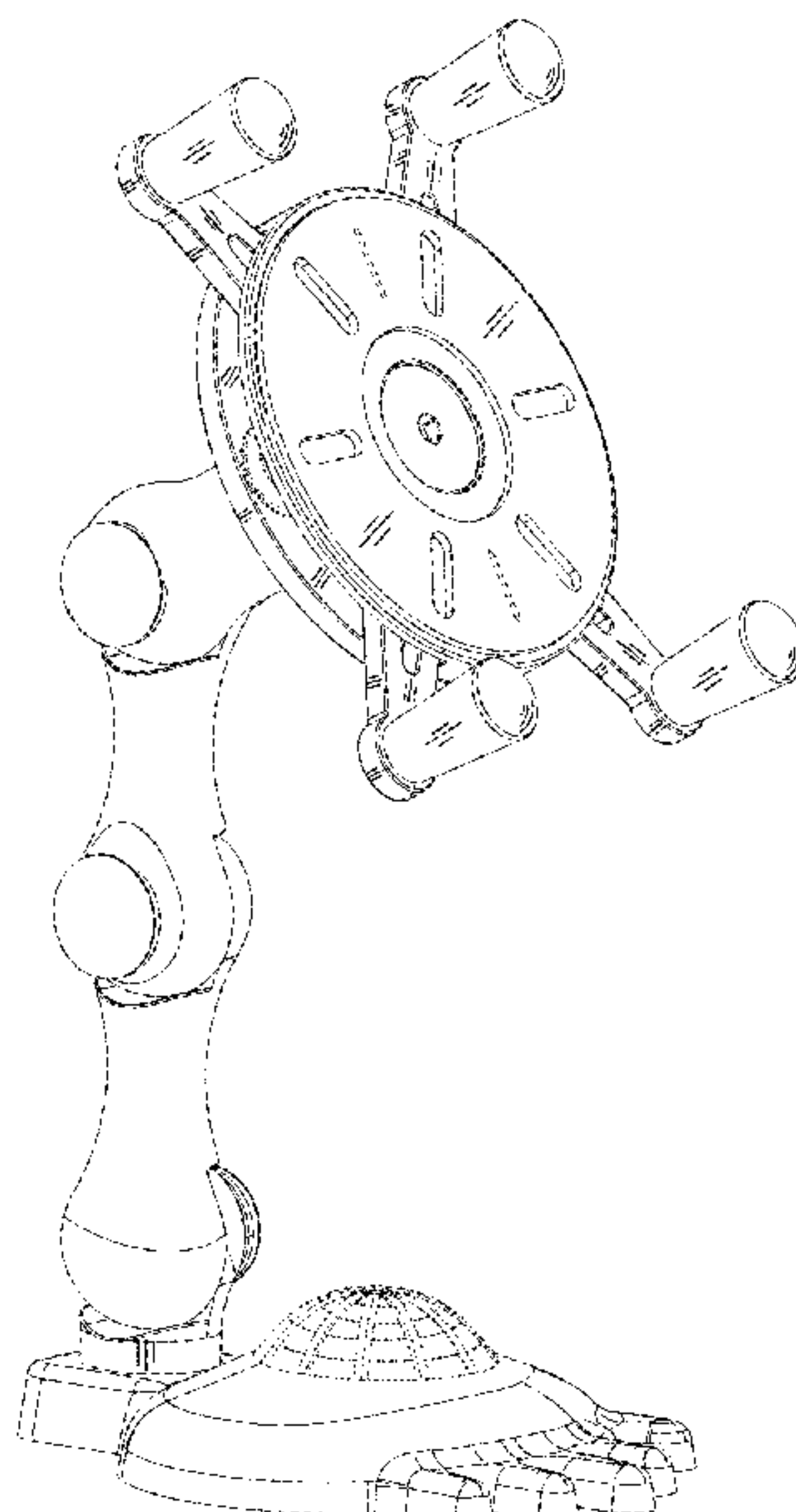
(57) **CLAIM**

The ornamental design for electronic devices holder, as shown and described.

DESCRIPTION

FIG. 1 is a rear perspective view of an electronic devices holder showing my new design;
FIG. 2 is a front elevational view thereof;
FIG. 3 is a rear elevational view thereof;
FIG. 4 is a left side elevational view thereof;
FIG. 5 is a right side elevational view thereof
FIG. 6 is a top plan view thereof;
FIG. 7 is a bottom plan view thereof; and,
FIG. 8 is a front perspective view thereof.
Those portions of the illustrated design indicated by broken lines form no part of the claimed design.

1 Claim, 7 Drawing Sheets



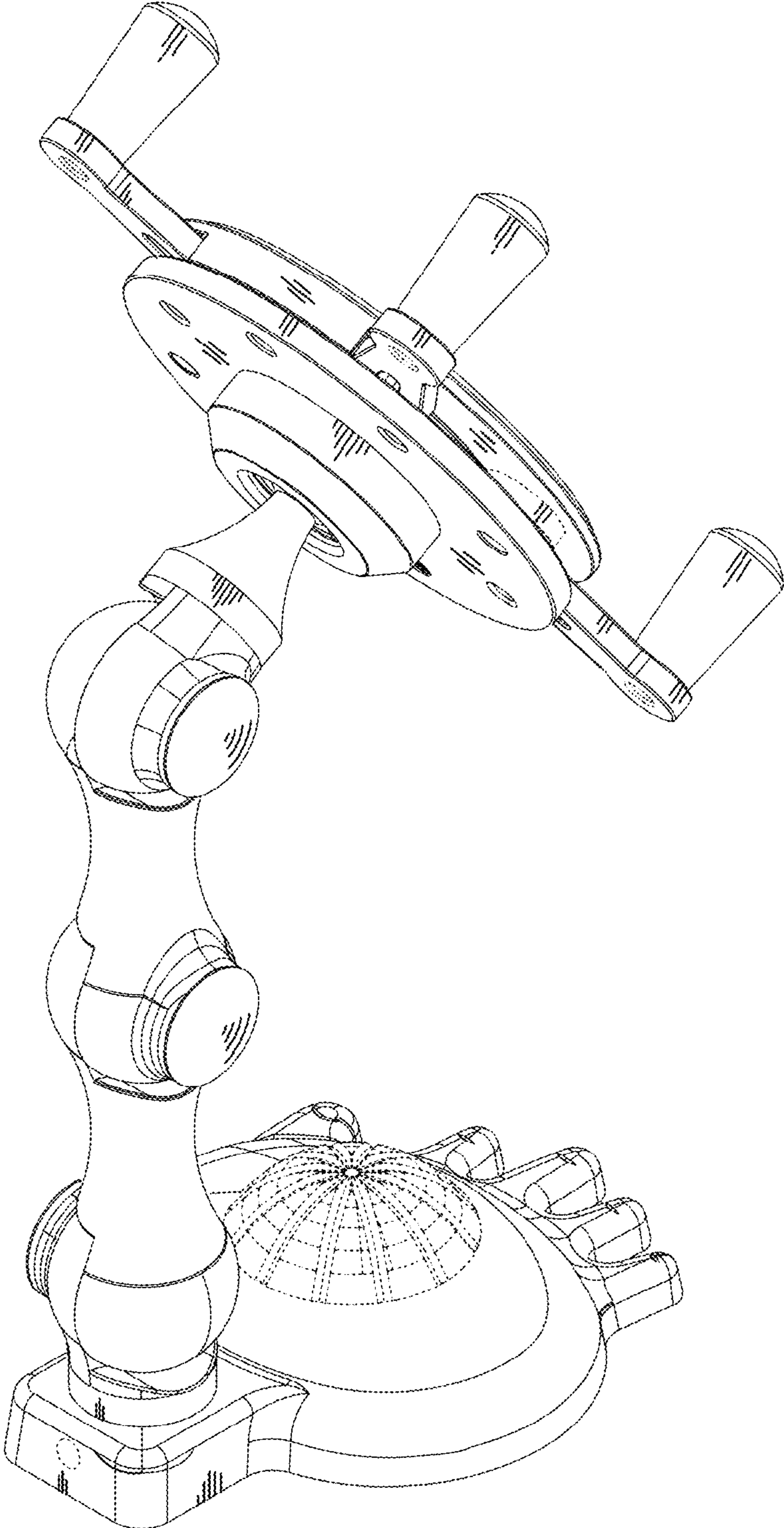


Fig. 1

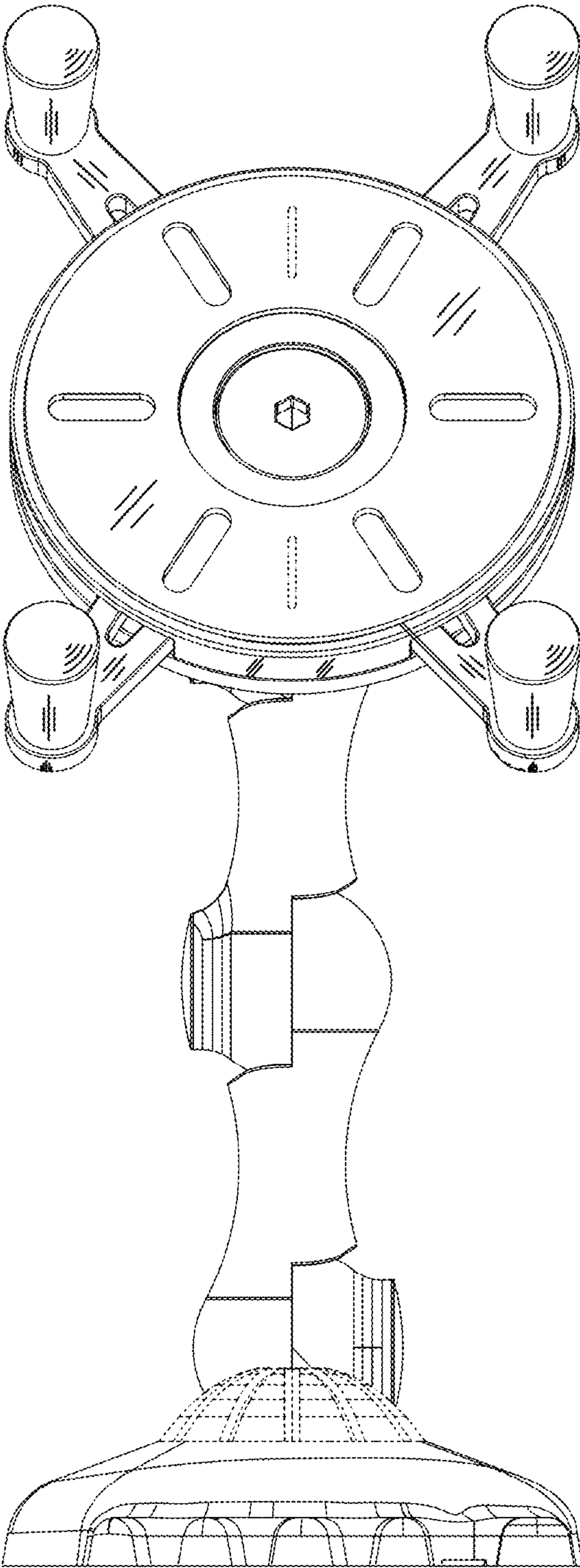


Fig. 2

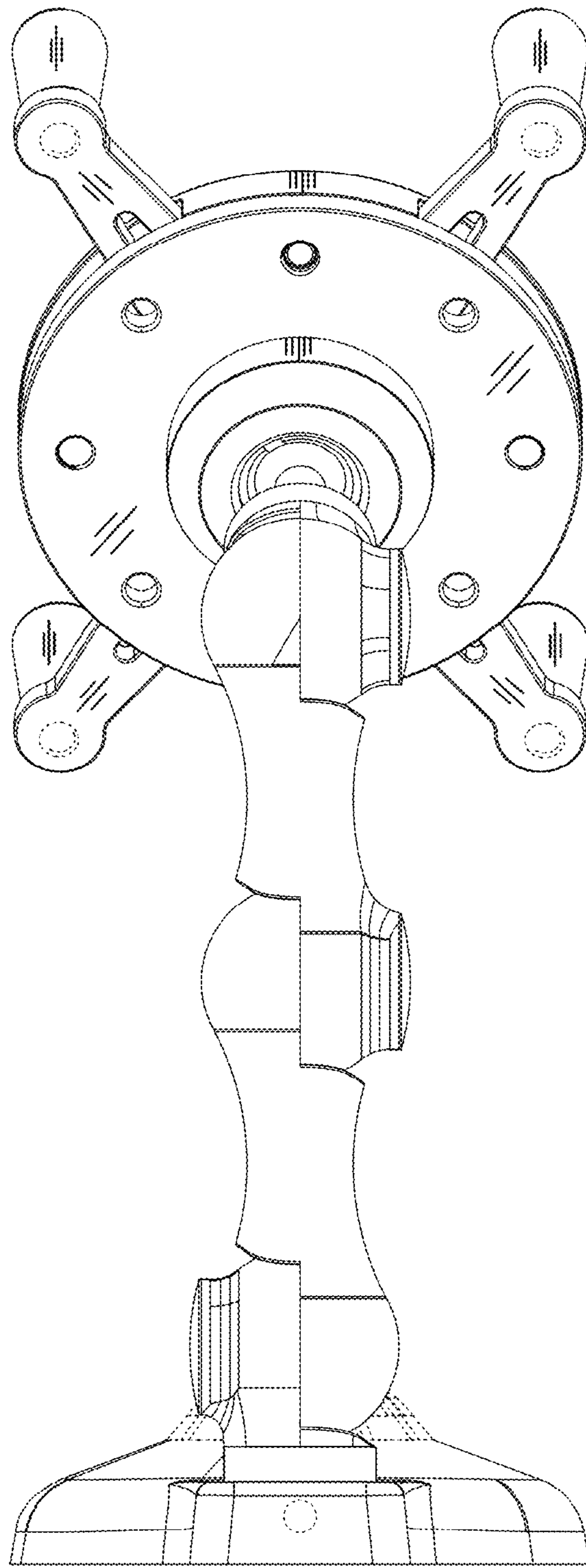


Fig. 3

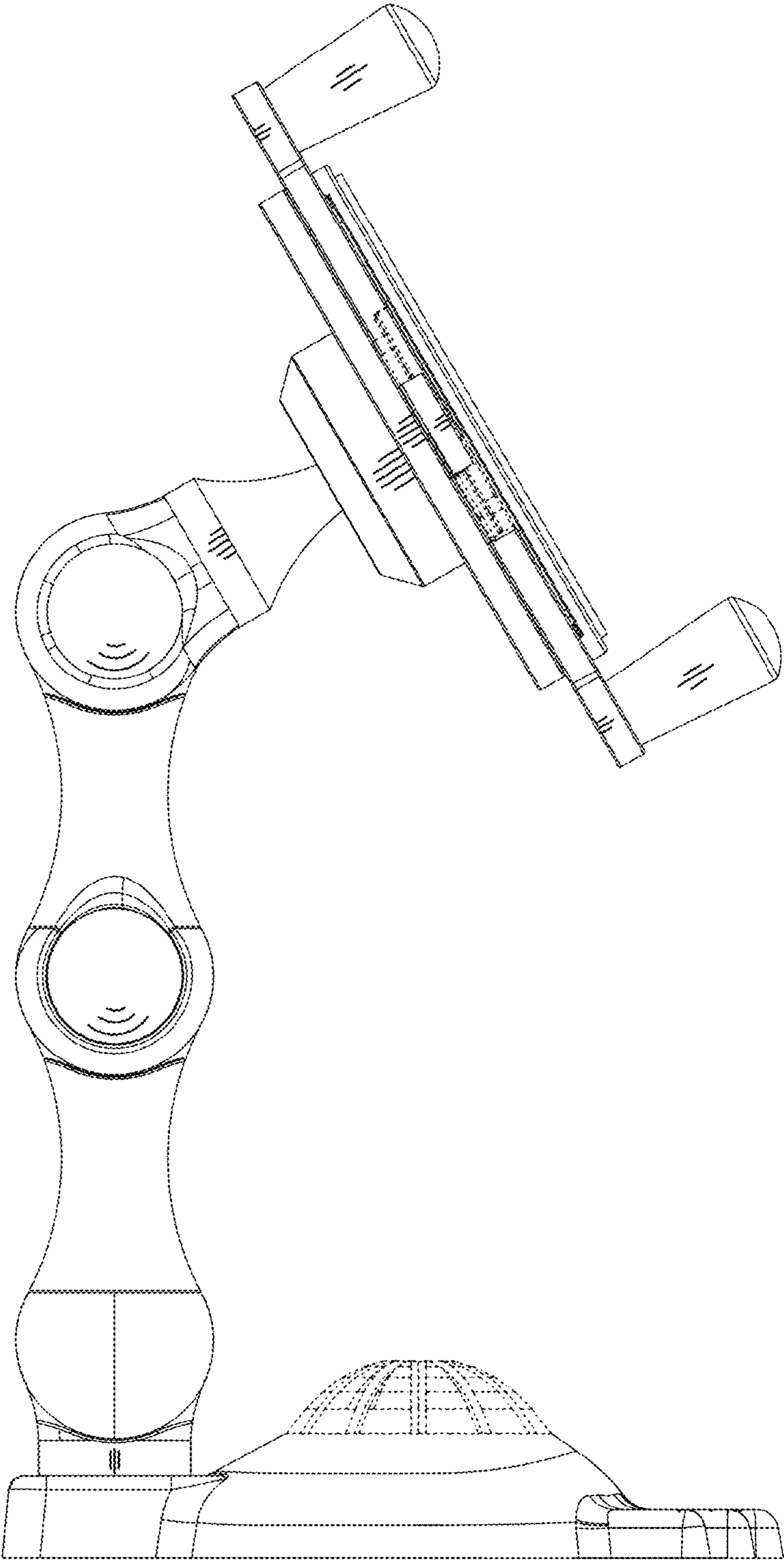


Fig. 4

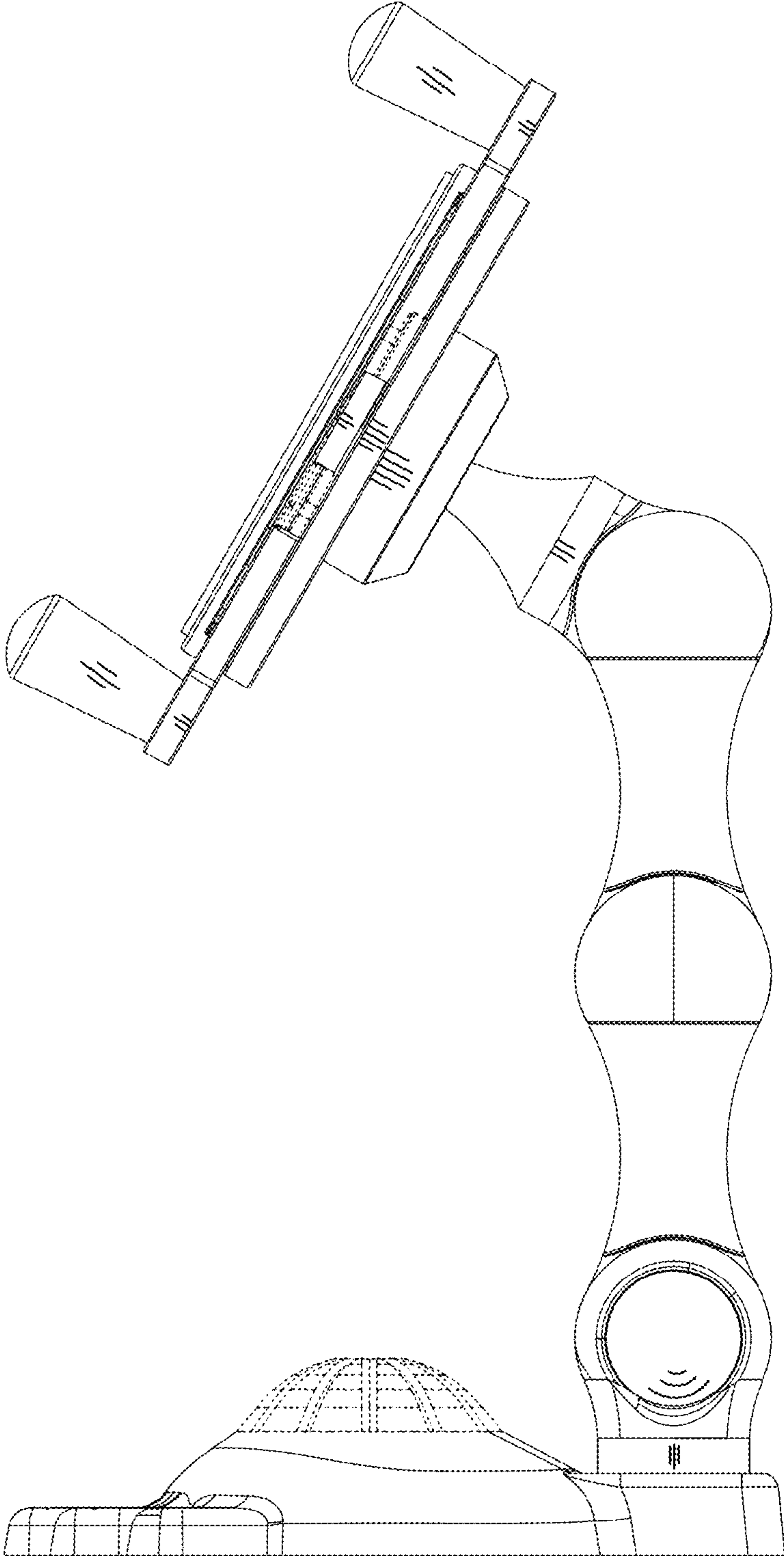


Fig. 5

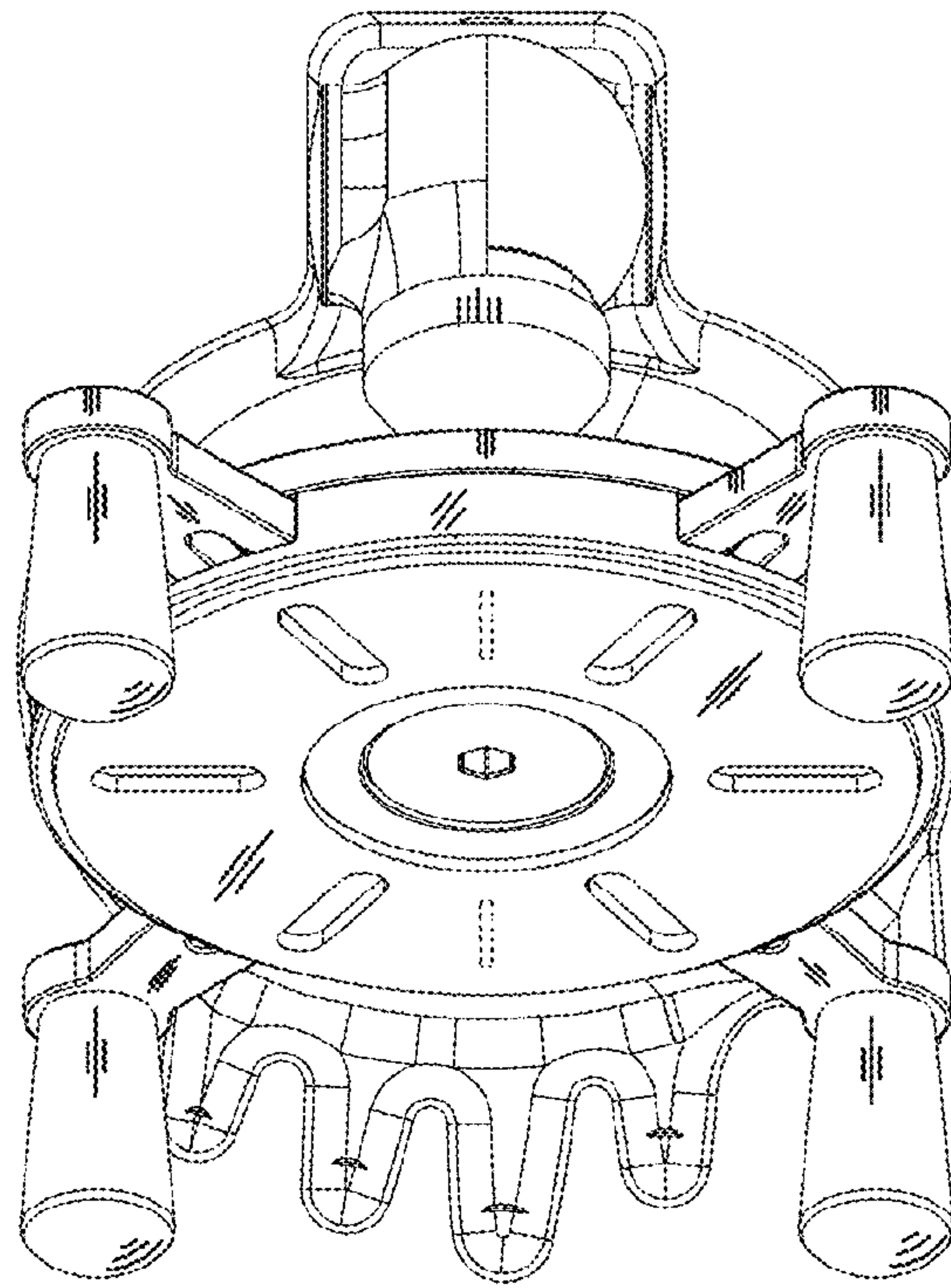


Fig. 6

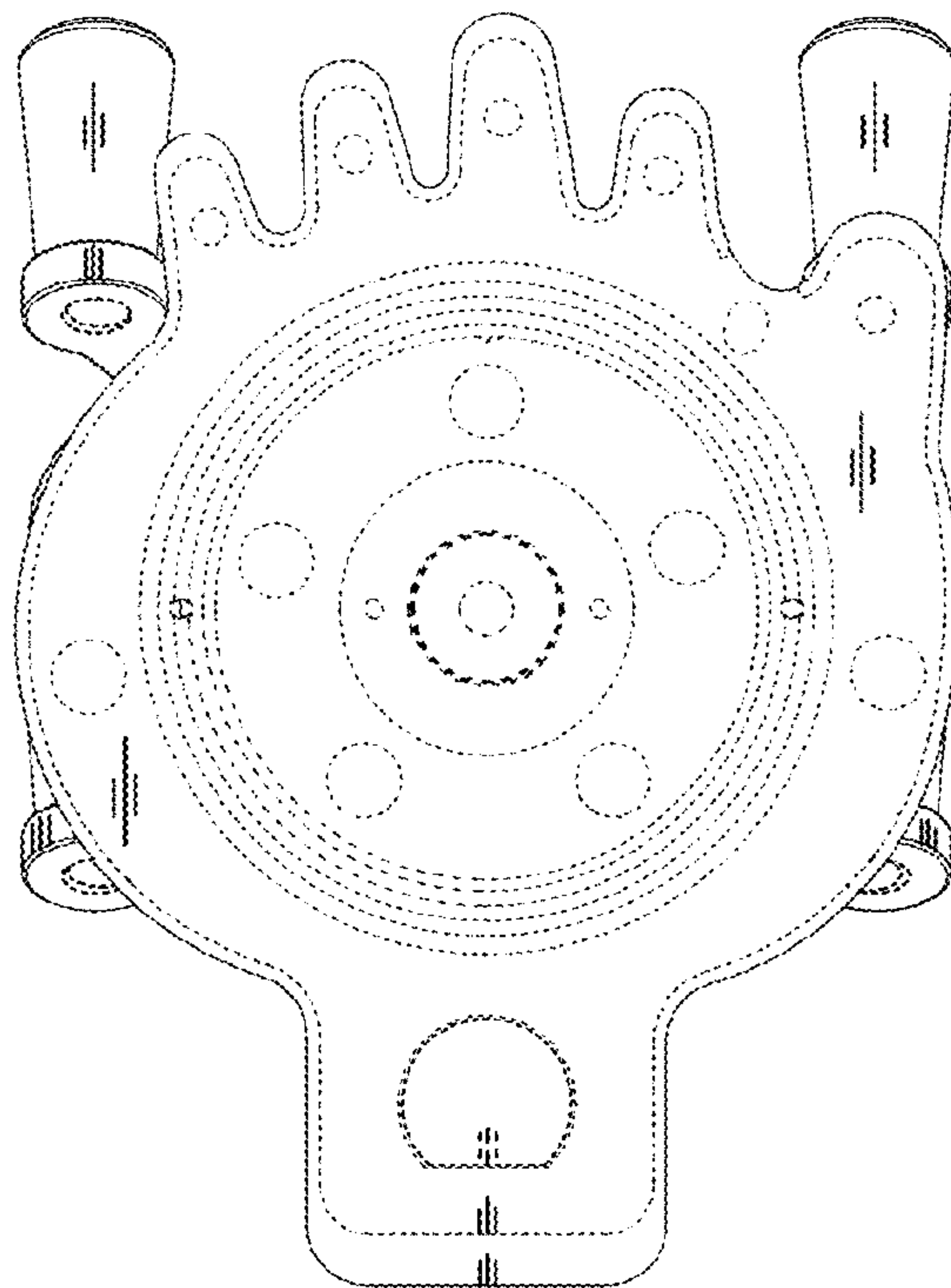


Fig. 7

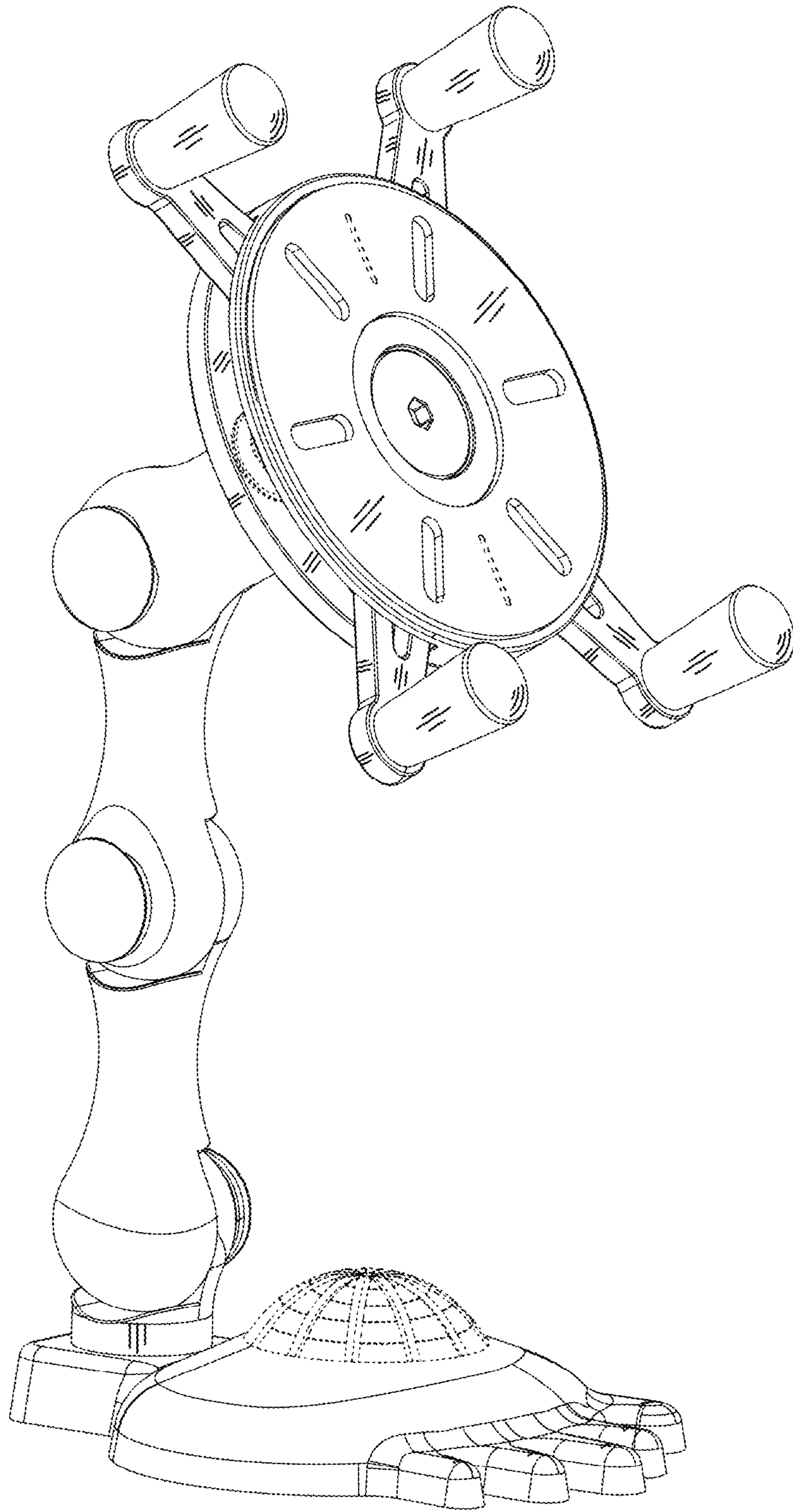


Fig. 8