



US00D736212S

(12) **United States Design Patent**
Kang et al.

(10) **Patent No.:** **US D736,212 S**
(45) **Date of Patent:** **** Aug. 11, 2015**

(54) **MEMORY CARD**

(71) Applicant: **SAMSUNG ELECTRONICS CO., LTD.**, Suwon-si (KR)

(72) Inventors: **Il-Mok Kang**, Suwon-si (KR);
Ki-Woong Yoo, Jeonju-si (KR);
Gwang-Man Lim, Seoul (KR); **In-Jae Lee**, Whaseong-si (KR); **Seok-Jae Han**, Seoul (KR)

(73) Assignee: **SAMSUNG ELECTRONICS CO., LTD.**, Suwon-si (KR)

(**) Term: **14 Years**

(21) Appl. No.: **29/513,287**

(22) Filed: **Dec. 30, 2014**

(30) **Foreign Application Priority Data**

Jul. 1, 2014 (KR) 30-2014-0032271

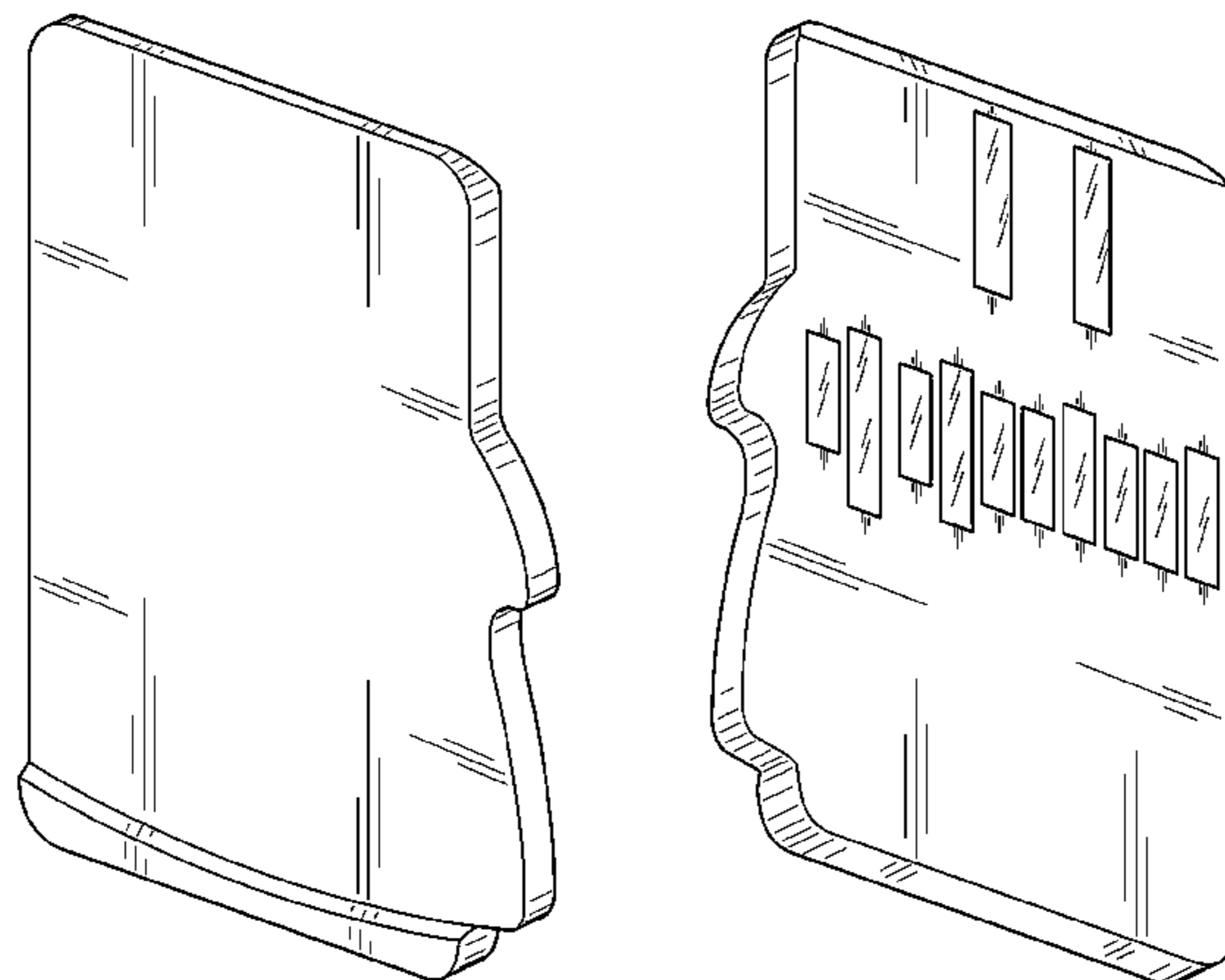
(51) **LOC (10) Cl.** **14-02**

(52) **U.S. Cl.**
USPC **D14/436**

(58) **Field of Classification Search**
USPC D14/435-438, 478-480; 235/441, 443, 235/487, 492, 493, 495; 361/737, 679, 752, 361/736, 728, 796, 797, 729, 730, 361/725-727; 257/678, 679, 693, E23.064; 439/946, 948, 159; 174/250, 260, 52.1, 174/52.2; 710/300-303; 438/121
CPC G06K 19/06196; G06K 19/072; G06K 19/0721; G06K 19/0722; G06K 19/0723; G06K 19/0724; G06K 19/0725; G06K 19/0726; G06K 19/0727; G06K 19/0728; G06K 19/073; G06K 19/07309; G06K 19/077; G06K 19/07701; G06K 19/07715; G06K 19/0772; G06K 19/07722; G06K 19/07724; G06K 19/07726; G06K 19/07728; G06K 19/0773; G06K 19/07735; G06K 19/07737; G06K 19/07739; G06K 19/07741; G06K 19/07743; G06K 19/07745;

G06K 19/07747; G06K 19/07749; G06K 19/07758; G06K 19/07767; G06K 19/07769; G06K 19/07771; G06K 19/07773; G06K 19/07775; G06K 19/083; G06K 19/086; G06K 19/145; G06K 19/18; G06K 2215/0022; G06K 2215/0025; G06K 2215/0028; G06K 2215/0031; G06K 2215/004; G06K 2215/0082; G06F 21/86; G06F 21/87; G06F 21/77-21/80; G06F 21/85-21/88; G06F 21/00; G06Q 20/3229; G06Q 20/34; G06Q 20/341; G06Q 20/346; G06Q 20/349; G06Q 20/3563; G06Q 20/3567; G06Q 20/357; G06Q 20/3576; H05K 5/026; H05K 5/0256; H05K 5/0265; H05K 5/0269; H05K 5/0273; H05K 5/0278; H05K 5/0282; H05K 5/0286; H05K 5/0291; H05K 5/0295; H05K 5/03; H05K 5/04; H05K 5/06; H05K 5/061; H05K 5/062; H05K 5/063; H05K 5/064; H05K 5/065; H05K 5/066; H05K 5/067; H05K 5/068; H05K 5/069; H05K 7/00; H05K 7/005; H05K 7/02; H05K 7/023; H05K 7/026; H05K 7/04; H05K 7/10; H05K 7/1418; H05K 7/142; H05K 7/1424; H05K 7/1427-7/1439; H05K 7/1461; H05K 7/1464-7/1474; H05K 7/1479; H05K 7/1481; H05K 7/1485-7/1488; H05K 2201/09745; H05K 2201/09754; H05K 2201/09763; H05K 2201/09772; H05K 2201/098; H05K 2201/09818; H05K 2201/10; H05K 2201/10007; H05K 2201/10098; H05K 2201/10143; H05K 2201/10159; H05K 2201/10174; H05K 2201/10212; H05K 2201/1028; H05K 2201/1031; H05K 2201/10431; H05K 2201/10462; H05K 2201/10545; H05K 2201/10553; H05K 2201/1056; H05K 2201/10621; H05K 2201/10636; H05K 2203/05; H05K 3/368; H05K 3/3436; H05K 3/36; H05K 3/40; H05K 3/4007; H05K 3/4015; H05K 3/403; H05K 3/4053; H05K 3/4092; H05K 3/42; H05K 3/421; H05K 3/46; H05K 1/14; H05K 1/141; H05K 1/142; H05K 1/144; H05K 1/145; H05K 1/182; H04N 2201/216

See application file for complete search history.



(56)

References Cited

U.S. PATENT DOCUMENTS

- | | | | | | | | | | |
|--------------|------|---------|----------------------|------------|--------------|------|---------|--------------------|------------|
| 5,822,190 | A * | 10/1998 | Iwasaki | 361/737 | 2005/0253239 | A1 * | 11/2005 | Nishizawa et al. | 257/679 |
| 6,049,975 | A * | 4/2000 | Clayton | 29/832 | 2005/0279839 | A1 * | 12/2005 | Kuo et al. | 235/492 |
| 6,137,710 | A * | 10/2000 | Iwasaki et al. | 365/52 | 2005/0281010 | A1 * | 12/2005 | Wang et al. | 361/752 |
| 6,323,064 | B1 * | 11/2001 | Lee et al. | 438/117 | 2006/0003609 | A1 * | 1/2006 | Hwang | 439/76.1 |
| 6,421,250 | B1 * | 7/2002 | Kim et al. | 361/784 | 2006/0014434 | A1 * | 1/2006 | Yamamoto et al. | 439/630 |
| 6,490,667 | B1 * | 12/2002 | Ikeda | 711/163 | 2006/0085583 | A1 * | 4/2006 | Yu et al. | 710/301 |
| 6,538,331 | B2 * | 3/2003 | Masuda et al. | 257/777 | 2006/0124739 | A1 * | 6/2006 | Kojima et al. | 235/441 |
| 6,590,778 | B1 * | 7/2003 | Hojo et al. | 361/737 | 2006/0151614 | A1 * | 7/2006 | Nishizawa et al. | 235/492 |
| D493,798 | S * | 8/2004 | Yu et al. | D14/436 | 2006/0166559 | A1 * | 7/2006 | Nakai et al. | 439/630 |
| 6,804,119 | B2 * | 10/2004 | Ziemkowski | 361/715 | 2006/0183378 | A1 * | 8/2006 | Tanaka et al. | 439/630 |
| 6,820,148 | B1 * | 11/2004 | Cedar et al. | 710/104 | 2006/0194479 | A1 * | 8/2006 | Osako et al. | 439/638 |
| D505,959 | S * | 6/2005 | Yamada et al. | D14/436 | 2006/0202041 | A1 * | 9/2006 | Hishizawa et al. | 235/492 |
| 6,908,038 | B1 * | 6/2005 | Le | 235/492 | 2006/0204391 | A1 * | 9/2006 | Zuo et al. | 417/572 |
| D507,795 | S * | 7/2005 | Yamada et al. | D14/436 | 2006/0226241 | A1 * | 10/2006 | Hsu | 235/492 |
| D510,579 | S * | 10/2005 | Yamada et al. | D14/436 | 2006/0261489 | A1 * | 11/2006 | Takemoto et al. | 257/774 |
| D510,935 | S * | 10/2005 | Yamada et al. | D14/436 | 2006/0264109 | A1 * | 11/2006 | Brewer et al. | 439/630 |
| 6,963,135 | B2 * | 11/2005 | Chiang et al. | 257/723 | 2007/0032135 | A1 * | 2/2007 | Tanaka et al. | 439/628 |
| 6,994,573 | B2 * | 2/2006 | Tanaka et al. | 439/159 | 2007/0035002 | A1 * | 2/2007 | Moto et al. | 257/686 |
| D517,559 | S * | 3/2006 | Yu et al. | D14/436 | 2007/0045873 | A1 * | 3/2007 | Takemoto | 257/784 |
| 7,009,846 | B1 * | 3/2006 | Wang et al. | 361/737 | 2007/0049080 | A1 * | 3/2007 | Anzai et al. | 439/159 |
| D523,435 | S * | 6/2006 | Takiar et al. | D14/436 | 2007/0049081 | A1 * | 3/2007 | Anzai et al. | 439/159 |
| 7,057,268 | B1 * | 6/2006 | d'Estries | 257/679 | 2007/0059983 | A1 * | 3/2007 | Anzai et al. | 439/630 |
| D525,248 | S * | 7/2006 | Takiar | D14/436 | 2007/0072464 | A1 * | 3/2007 | Anzai et al. | 439/159 |
| D525,623 | S * | 7/2006 | Takiar et al. | D14/436 | 2007/0077822 | A1 * | 4/2007 | Tanaka et al. | 439/630 |
| D525,978 | S * | 8/2006 | Takiar et al. | D14/436 | 2007/0108295 | A1 * | 5/2007 | Liu et al. | 235/492 |
| 7,097,510 | B1 * | 8/2006 | Chen | 439/630 | 2007/0111604 | A1 * | 5/2007 | Ying et al. | 439/630 |
| D533,556 | S * | 12/2006 | Yamada et al. | D14/436 | 2007/0117276 | A1 * | 5/2007 | Chen et al. | 438/127 |
| D537,081 | S * | 2/2007 | Takiar et al. | D14/436 | 2007/0126099 | A1 * | 6/2007 | Aoki et al. | 257/679 |
| 7,179,129 | B1 * | 2/2007 | Hwang | 439/630 | 2007/0145133 | A1 * | 6/2007 | Jolivet | 235/441 |
| D538,286 | S * | 3/2007 | Takiar et al. | D14/436 | 2007/0145154 | A1 * | 6/2007 | Yu et al. | 235/492 |
| 7,193,161 | B1 * | 3/2007 | Takiar et al. | 174/521 | 2007/0150891 | A1 * | 6/2007 | Shapiro | 717/174 |
| 7,218,528 | B2 * | 5/2007 | Chen | 361/737 | 2007/0152071 | A1 * | 7/2007 | Jow | 235/492 |
| D547,371 | S * | 7/2007 | Miller | D19/1 | 2007/0155046 | A1 * | 7/2007 | Takiar et al. | 438/106 |
| 7,293,716 | B1 * | 11/2007 | Miks | 235/492 | 2007/0158803 | A1 * | 7/2007 | Chuang | 257/679 |
| 7,307,848 | B2 * | 12/2007 | Takiar | 361/737 | 2007/0162698 | A1 * | 7/2007 | Hsien et al. | 711/115 |
| 7,325,746 | B2 * | 2/2008 | Nishizawa et al. | 235/492 | 2007/0190836 | A1 * | 8/2007 | Tanaka et al. | 439/159 |
| 7,326,086 | B1 * | 2/2008 | Lee et al. | 439/630 | 2007/0217166 | A1 * | 9/2007 | Liu | 361/737 |
| 7,352,588 | B2 * | 4/2008 | Nishizawa et al. | 361/737 | 2007/0224863 | A1 * | 9/2007 | Wang | 439/159 |
| 7,371,119 | B1 * | 5/2008 | Lee | 439/630 | 2007/0228509 | A1 * | 10/2007 | Okada et al. | 257/503 |
| 7,407,393 | B2 * | 8/2008 | Ni et al. | 439/131 | 2007/0228536 | A1 * | 10/2007 | Aoki | 257/678 |
| 7,416,451 | B2 * | 8/2008 | Tanaka et al. | 439/630 | 2007/0235544 | A1 * | 10/2007 | Chen et al. | 235/486 |
| 7,583,071 | B2 * | 9/2009 | Skultety-Betz et al. | 324/67 | 2007/0258220 | A1 * | 11/2007 | Chen et al. | 361/730 |
| D603,812 | S * | 11/2009 | Johnson et al. | D13/182 | 2007/0259567 | A1 * | 11/2007 | Chen et al. | 439/638 |
| 7,629,679 | B2 * | 12/2009 | Park | 257/679 | 2007/0270038 | A1 * | 11/2007 | Liu et al. | 439/630 |
| 7,633,763 | B1 * | 12/2009 | Park et al. | 361/760 | 2007/0270040 | A1 * | 11/2007 | Jang et al. | 439/660 |
| D615,506 | S * | 5/2010 | Eide et al. | D13/182 | 2007/0294440 | A1 * | 12/2007 | Haku | 710/62 |
| 7,813,137 | B2 * | 10/2010 | Gu et al. | 361/737 | 2008/0007932 | A1 * | 1/2008 | Tung et al. | 361/816 |
| 7,815,469 | B1 * | 10/2010 | Nguyen et al. | 439/607.35 | 2008/0030963 | A1 * | 2/2008 | Middlekauff et al. | 361/737 |
| D628,202 | S * | 11/2010 | Pomerantz et al. | D14/436 | 2008/0049392 | A1 * | 2/2008 | Takiar | 361/684 |
| 7,830,666 | B2 * | 11/2010 | Hiew et al. | 361/737 | 2008/0065830 | A1 * | 3/2008 | Aoki et al. | 711/115 |
| 7,909,611 | B2 * | 3/2011 | Miller | 439/60 | 2008/0073436 | A1 * | 3/2008 | Nishizawa et al. | 235/492 |
| D638,431 | S * | 5/2011 | Pomerantz et al. | D14/436 | 2008/0075802 | A1 * | 3/2008 | Chan et al. | 425/588 |
| 8,142,229 | B1 * | 3/2012 | Bobuk et al. | 439/630 | 2008/0083828 | A1 * | 4/2008 | Le | 235/441 |
| D669,478 | S * | 10/2012 | Lepp et al. | D14/436 | 2008/0096413 | A1 * | 4/2008 | Chen | 439/345 |
| D669,479 | S * | 10/2012 | Lepp et al. | D14/436 | 2008/0132091 | A1 * | 6/2008 | Choi | 439/55 |
| 8,291,144 | B2 * | 10/2012 | Pinto et al. | 710/301 | 2008/0135628 | A1 * | 6/2008 | Aoki et al. | 235/492 |
| 8,319,352 | B2 * | 11/2012 | Shinohara et al. | 257/777 | 2008/0145968 | A1 * | 6/2008 | Hiew et al. | 438/107 |
| D675,582 | S * | 2/2013 | Segler et al. | D13/182 | 2008/0171473 | A1 * | 7/2008 | Tanaka et al. | 439/626 |
| 8,451,122 | B2 * | 5/2013 | Narendra et al. | 340/572.1 | 2008/0173995 | A1 * | 7/2008 | Kuratomi et al. | 257/679 |
| 8,531,719 | B2 * | 9/2013 | Takatsuka et al. | 358/1.16 | 2008/0173996 | A1 * | 7/2008 | Han | 257/679 |
| D690,672 | S * | 10/2013 | Yoshida et al. | D13/182 | 2008/0186658 | A1 * | 8/2008 | Lin | 361/679 |
| 8,550,858 | B2 * | 10/2013 | Reid | 439/639 | 2008/0209125 | A1 * | 8/2008 | Chen et al. | 711/115 |
| 8,649,820 | B2 * | 2/2014 | Schwandt et al. | 455/557 | 2008/0227337 | A1 * | 9/2008 | Jow | 439/630 |
| 8,982,567 | B2 * | 3/2015 | Bang et al. | 361/737 | 2008/0228973 | A1 * | 9/2008 | Lee | 710/105 |
| 2003/0221066 | A1 * | 11/2003 | Kaneko | 711/115 | 2008/0235939 | A1 * | 10/2008 | Hiew et al. | 29/831 |
| 2004/0070952 | A1 * | 4/2004 | Higuchi et al. | 361/737 | 2008/0270639 | A1 * | 10/2008 | Elhamias et al. | 710/16 |
| 2004/0084538 | A1 * | 5/2004 | Nishizawa et al. | 235/492 | 2008/0273299 | A1 * | 11/2008 | Tsai et al. | 361/684 |
| 2004/0089717 | A1 * | 5/2004 | Harari et al. | 235/441 | 2008/0277485 | A1 * | 11/2008 | Park | 235/492 |
| 2004/0175976 | A1 * | 9/2004 | Park | 439/176 | 2008/0316696 | A1 * | 12/2008 | Nishiyama et al. | 361/684 |
| 2004/0259291 | A1 * | 12/2004 | Takiar | 438/113 | 2008/0320195 | A1 * | 12/2008 | Lee | 710/301 |
| 2005/0011671 | A1 * | 1/2005 | Takiar et al. | 174/256 | 2009/0001365 | A1 * | 1/2009 | Ye et al. | 257/48 |
| 2005/0082375 | A1 * | 4/2005 | Nishizawa et al. | 235/492 | 2009/0004776 | A1 * | 1/2009 | Ye et al. | 438/108 |
| 2005/0132093 | A1 * | 6/2005 | Yoon | 710/8 | 2009/0009976 | A1 * | 1/2009 | Nishikawa et al. | 361/737 |
| 2005/0189426 | A1 * | 9/2005 | Nishizawa et al. | 235/492 | 2009/0085231 | A1 * | 4/2009 | Chiu et al. | 257/787 |
| 2005/0230484 | A1 * | 10/2005 | Cuellar et al. | 235/492 | 2009/0085232 | A1 * | 4/2009 | Hoo et al. | 257/790 |
| | | | | | 2009/0154040 | A1 * | 6/2009 | Tung et al. | 361/56 |
| | | | | | 2009/0164722 | A1 * | 6/2009 | Lee et al. | 711/115 |
| | | | | | 2009/0168322 | A1 * | 7/2009 | Okada | 361/679.32 |
| | | | | | 2009/0193180 | A1 * | 7/2009 | Ito | 711/103 |

2009/0230534	A1*	9/2009	Okada	257/686
2009/0236722	A1*	9/2009	Nishiyama et al.	257/686
2009/0254704	A1*	10/2009	Nakamura et al.	711/115
2009/0301909	A1*	12/2009	Tang et al.	206/307.1
2010/0049878	A1*	2/2010	Yu et al.	710/11
2010/0055943	A1*	3/2010	Park	439/78
2010/0072284	A1*	3/2010	Nishizawa et al.	235/492
2010/0084762	A1*	4/2010	Nishikawa et al.	257/723
2010/0109141	A1*	5/2010	Nishiyama et al.	257/690
2010/0172112	A1*	7/2010	Okada	361/782
2010/0205341	A1*	8/2010	Chen	710/301
2010/0312965	A1*	12/2010	Cooke et al.	711/115
2011/0026213	A1*	2/2011	Chang et al.	361/679.31
2011/0090277	A1*	4/2011	Pomerantz et al.	347/20
2011/0092087	A1*	4/2011	Jung et al.	439/159
2011/0145465	A1*	6/2011	Okada	710/301
2011/0157838	A1*	6/2011	Morita et al.	361/737
2011/0182037	A1*	7/2011	Katsumura	361/728
2011/0185098	A1*	7/2011	Kim et al.	710/301
2011/0233741	A1*	9/2011	Ishii et al.	257/668
2011/0271040	A1*	11/2011	Kamizono	711/103
2011/0315984	A1*	12/2011	Suzuki et al.	257/48
2011/0316134	A1*	12/2011	Ishii et al.	257/676
2012/0049378	A1*	3/2012	Asada et al.	257/773
2012/0079197	A1*	3/2012	Cheng	711/115
2012/0081860	A1*	4/2012	Pomerantz et al.	361/737
2012/0103838	A1*	5/2012	Weinert	206/39
2012/0117315	A1*	5/2012	Okada	711/103
2012/0201091	A1*	8/2012	Hook et al.	365/201
2012/0241933	A1*	9/2012	Doi et al.	257/676
2013/0027869	A1*	1/2013	Tian et al.	361/679.31
2013/0102170	A1*	4/2013	Yang et al.	439/153
2013/0262764	A1*	10/2013	Jow	711/115
2013/0288535	A1*	10/2013	You et al.	439/634

2013/0311720	A1*	11/2013	Li et al.	711/115
2014/0027503	A1*	1/2014	Kennedy et al.	235/375
2014/0070381	A1*	3/2014	Doi et al.	257/666
2014/0099805	A1*	4/2014	Kutchery et al.	439/76.1
2014/0106621	A1*	4/2014	Wu	439/630
2014/0127947	A1*	5/2014	Han	439/630
2014/0169090	A1*	6/2014	Ma et al.	365/185.05
2014/0258563	A1*	9/2014	Otsuka et al.	710/13

* cited by examiner

Primary Examiner — Susan Moon Lee

(74) *Attorney, Agent, or Firm* — Sughrue Mion, PLLC

(57)

CLAIM

We claimed the ornamental design for a memory card, as shown and described.

DESCRIPTION

FIG. 1 is a front perspective view of a memory card showing our new design;
 FIG. 2 is a front view thereof;
 FIG. 3 is a rear view thereof;
 FIG. 4 is a left-side view thereof;
 FIG. 5 is a right-side view thereof;
 FIG. 6 is a top plan view thereof;
 FIG. 7 is a bottom plan view thereof; and,
 FIG. 8 is a rear perspective view thereof.

1 Claim, 6 Drawing Sheets

FIG. 1

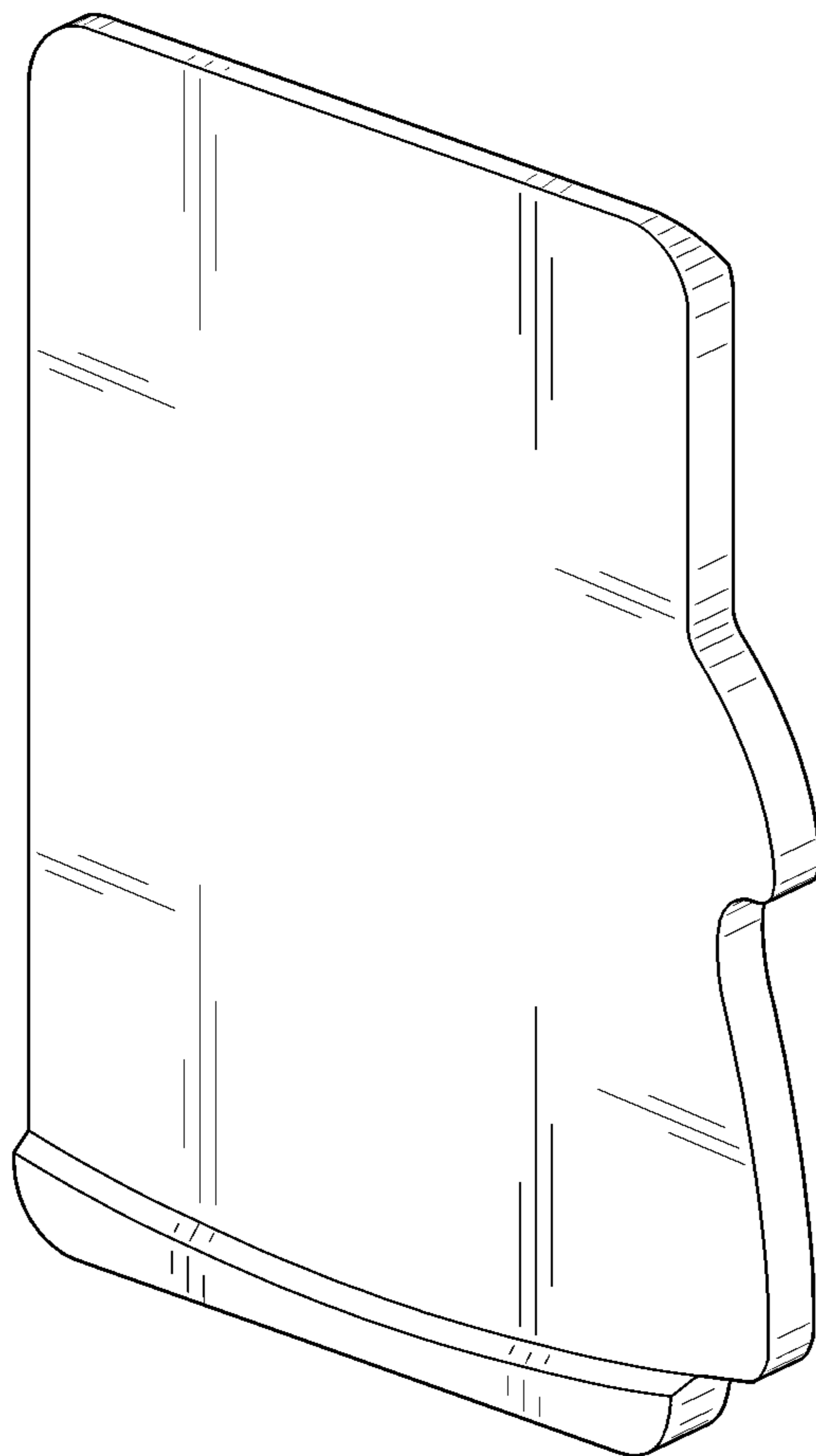


FIG. 2

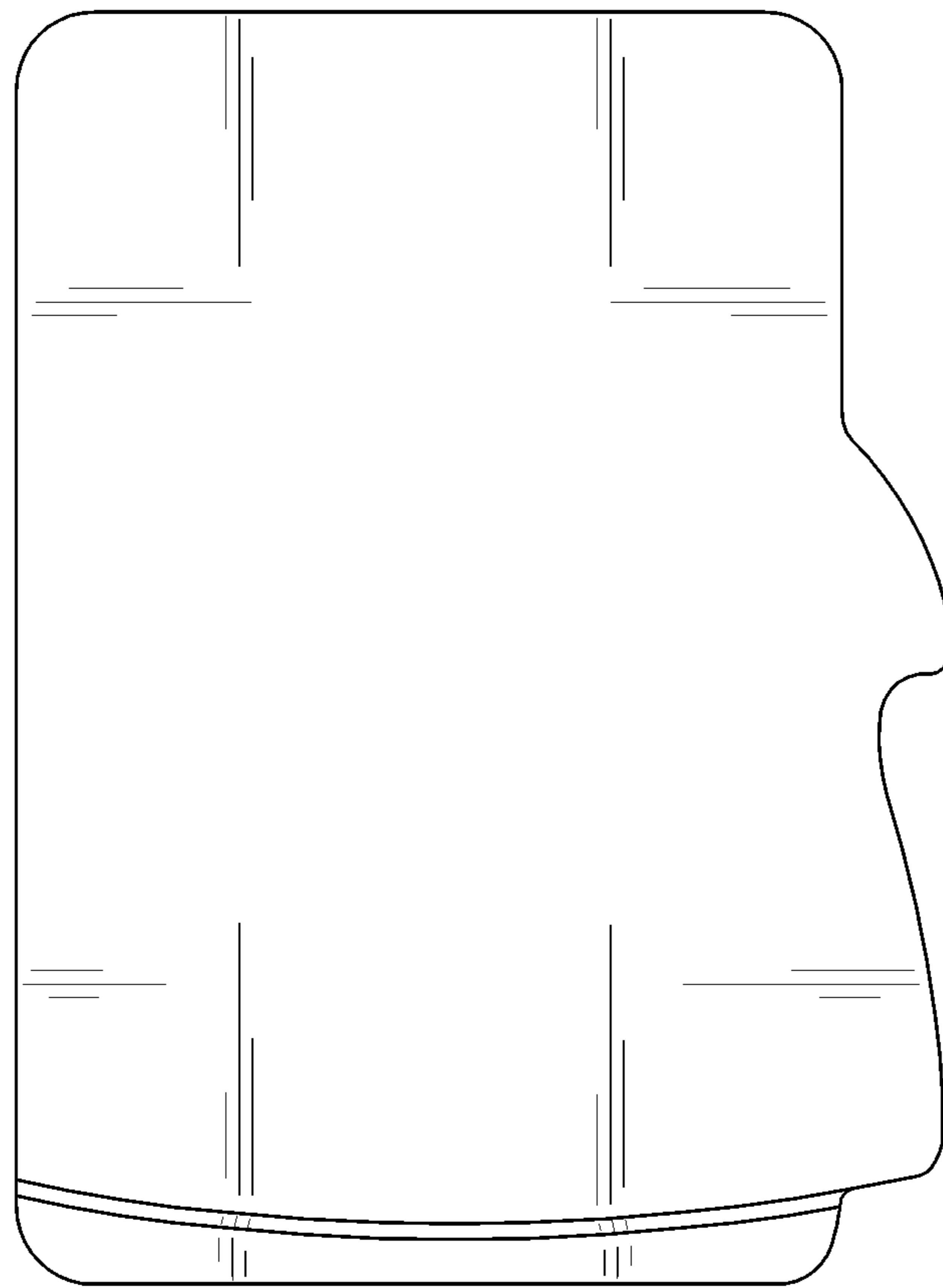


FIG. 3

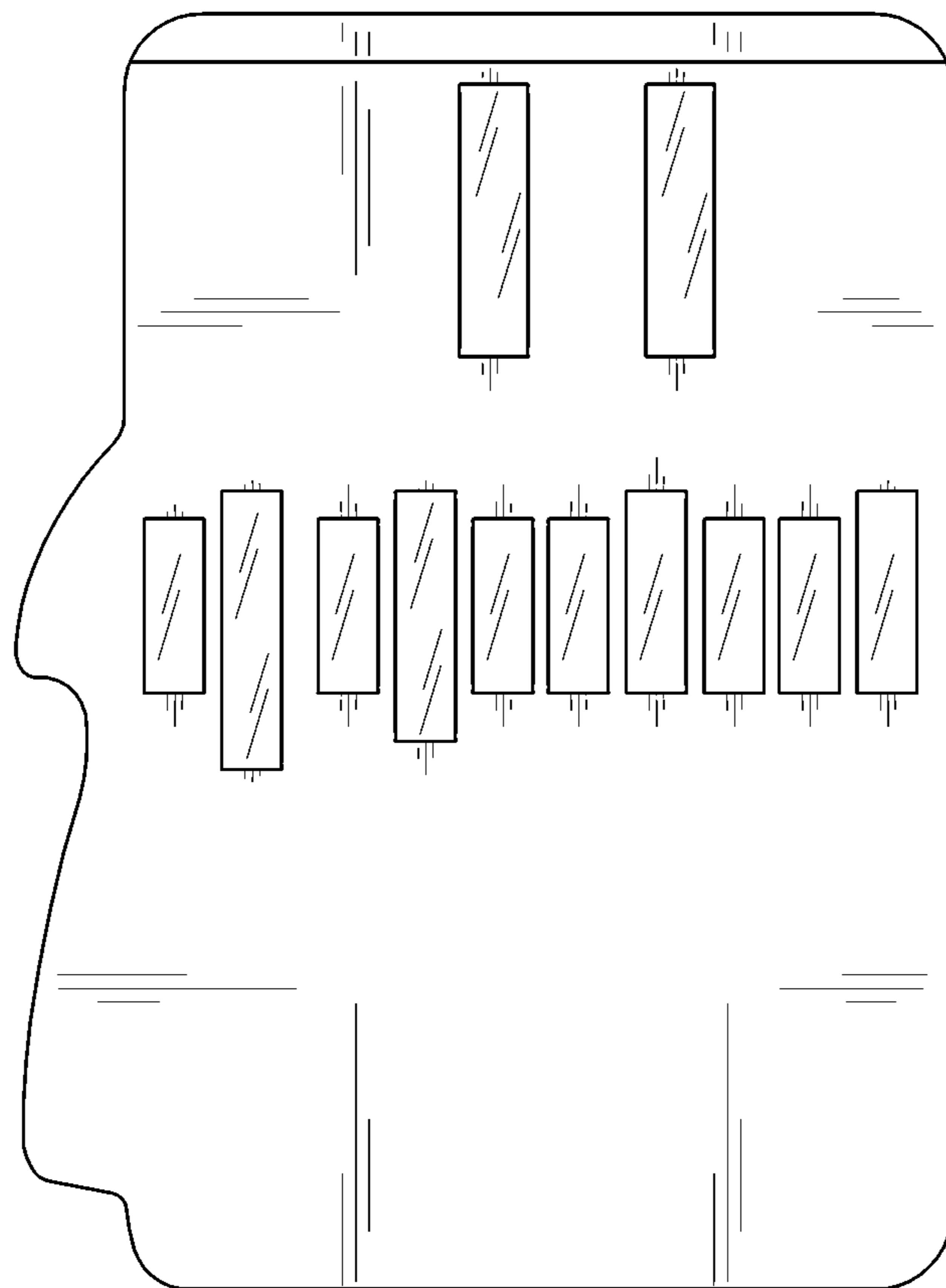


FIG. 4

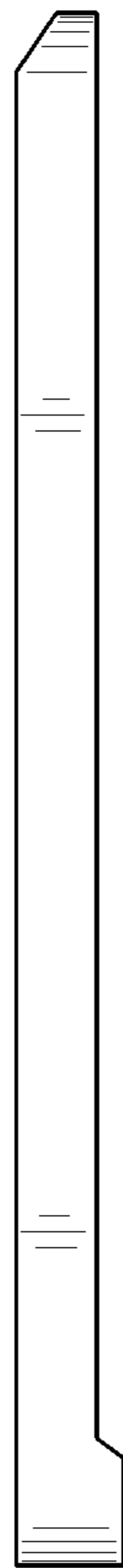


FIG. 5



FIG. 6

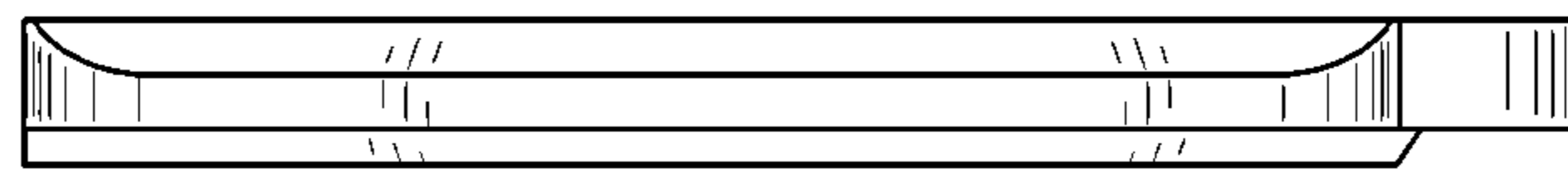


FIG. 7



FIG. 8

